



US00D952042S

(12) **United States Design Patent** (10) **Patent No.:** **US D952,042 S**
Schultheis et al. (45) **Date of Patent:** **** May 17, 2022**

(54) **PLAYING SURFACE FOR SPINNING TOP TOY**

Primary Examiner — Susan Moon Lee
(74) *Attorney, Agent, or Firm* — Oliff PLC

(71) Applicant: **TOMY COMPANY, LTD.**, Tokyo (JP)

(72) Inventors: **Douglas Arthur Schultheis**,
Cumberland, RI (US); **Luke C. Lohan**,
Abington, MA (US)

(57) **CLAIM**

The ornamental design for a playing surface for spinning top toy, as shown and described.

(73) Assignee: **TOMY COMPANY, LTD.**, Tokyo (JP)

(**) Term: **15 Years**

DESCRIPTION

(21) Appl. No.: **29/730,077**

(22) Filed: **Apr. 1, 2020**

(51) **LOC (13) Cl.** **21-01**

(52) **U.S. Cl.**
USPC **D21/338**; D21/461

(58) **Field of Classification Search**
USPC D21/334, 336–342, 355–359, 365, 318,
D21/397, 312, 314, 320, 362, 366, 367,
D21/385, 455, 456, 460, 461, 484,
D21/491–501, 561, 564; 273/242,
273/244–247, 259, 277, 287, 317.3,
273/108.1, 108.5, 118 D, 236–240, 283,
273/309, 441, 461, 108.2, 108.3, 113,
273/115, 116, 241, 280, 282.1, 282.2,
273/282.3, 289, 148 R, 440, 444, 450,
273/453, 459, 109, 110, 108, 456, 443;
D6/406.1, 406.3, 406.4, 406.6; D19/86,
(Continued)

FIG. 1 is a front elevational view of the playing surface for spinning top toy;
FIG. 2 is a left-side elevational view thereof;
FIG. 3 is a rear elevational view thereof;
FIG. 4 is a right-side elevational view thereof;
FIG. 5 is a top plan view thereof;
FIG. 6 is a bottom plan view thereof;
FIG. 7 is a front, right-side, top perspective view thereof;
FIG. 8 is a rear, left-side, bottom perspective view thereof;
FIG. 9 is a front, right-side, top disassembled perspective view thereof, showing the playing surface separated into four fasteners, a cover, a base, and four legs;
FIG. 10 is a rear, left-side, bottom disassembled perspective view thereof, showing the playing surface separated into the four fasteners, the cover, the base, and the four legs;
FIG. 11 is a cross-sectional view taken along line 11-11 in FIG. 5;
FIG. 12 is a cross-sectional view taken along line 12-12 in FIG. 5;
FIG. 13 is a cross-sectional view taken along line 13-13 in FIG. 5;
FIG. 14 is a perspective view of one of the fasteners;
FIG. 15 is another perspective view of one of the fasteners;
FIG. 16 is a perspective view of one of the legs;
FIG. 17 is another perspective view of one of the legs; and,
FIG. 18 is a top plan view of the base and the four legs.

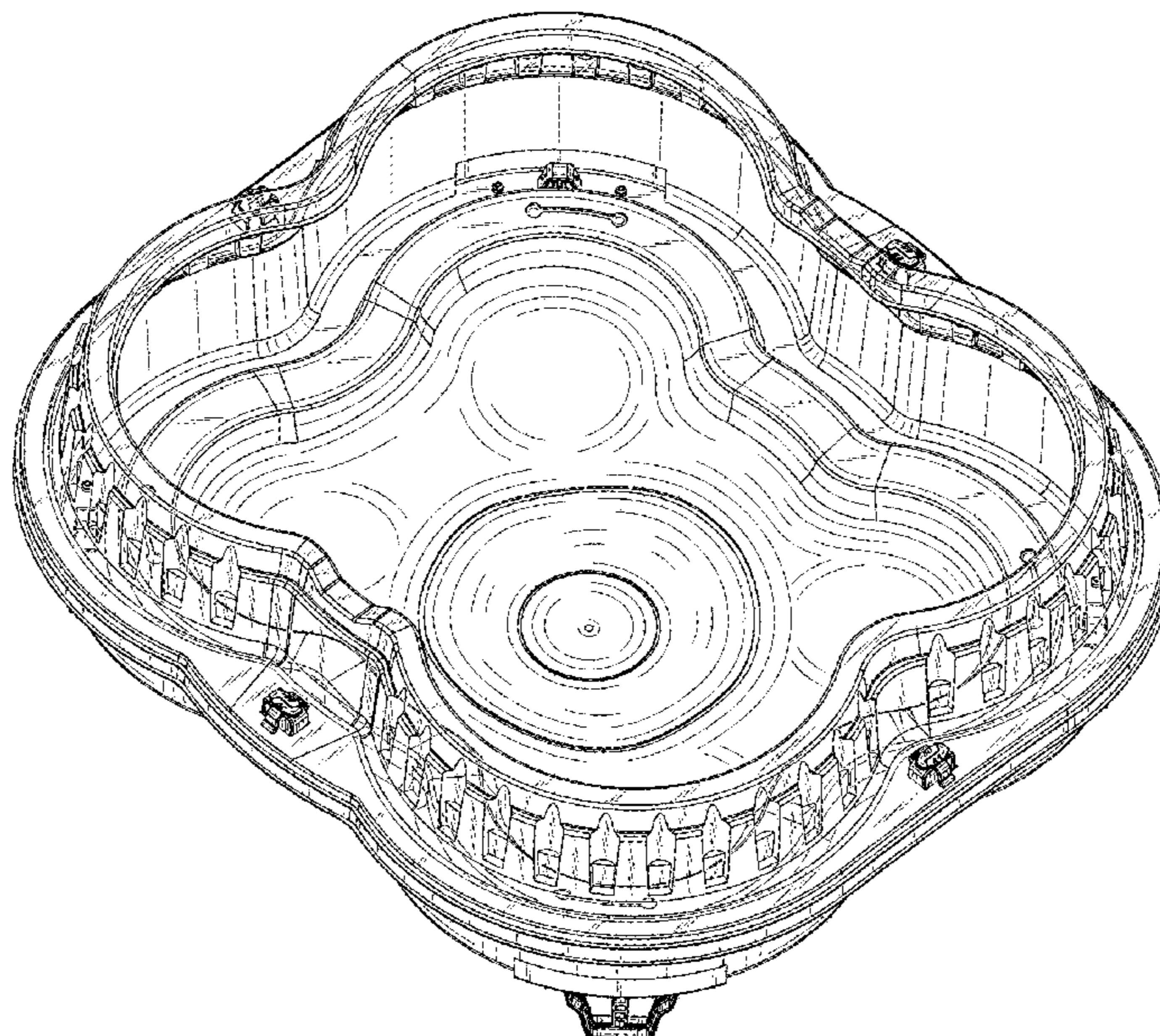
(56) **References Cited**

U.S. PATENT DOCUMENTS

D209,410 S * 11/1967 Grant D21/374
3,643,951 A * 2/1972 Breslow A63F 7/02
273/108

(Continued)

1 Claim, 15 Drawing Sheets



(58) **Field of Classification Search**

USPC D19/92, 95, 87, 113, 75, 77, 78, 80;
 108/14, 62, 43, 67; 434/416, 247, 248,
 434/251, 408, 413, 145, 430; 446/82,
 446/168, 236, 256, 257, 259, 262, 263,
 446/491, 233; D7/538-550.1, 552.2,
 D7/553.1-553.8, 554.1-554.4, 558,
 D7/584-588, 601, 602, 359, 354, 356;
 D9/737, 756, 758-761, 414, 424-433,
 D9/456, 499; D30/121, 129-133;
 D11/143, 144, 152, 153, 155, 156, 164;
 47/65, 65.5, 65.6, 66.7, 71, 73-75, 39;
 473/569, 570; 463/69

CPC A63F 3/00; A63F 3/00003; A63F 3/00028;
 A63F 3/00041; A63F 3/00044; A63F
 3/00047; A63F 3/00173; A63F 3/00176;
 A63F 3/00214; A63F 3/00261; A63F
 3/00643; A63F 3/00646-00659; A63F
 3/04; A63F 2003/00182; A63F
 2003/00223; A63F 2003/00457; A63F
 2003/0046; A63F 2003/00463; A63F
 2003/00466; A63F 2003/0047; A63F
 2003/00485; A63F 2003/00492; A63F
 2003/00507; A63F 2003/00514; A63F
 2003/00533; A63F 2003/00552; A63F
 2003/00558; A63F 2003/00943; A63F
 2003/00946; A63F 2003/00952-00962;
 A63F 2003/00974; A63F 7/00; A63F
 7/06; A63F 7/0612; A63F 7/0604; A63F
 7/0616-0636; A63F 7/30; A63F 7/36;
 A63F 7/0005; A63F 7/0017; A63F
 7/0023; A63F 2007/0035; A63F
 2007/367; A63F 2007/3674; A63F 9/00;
 A63F 9/16; A63F 9/02; A63F 2009/165;
 A63H 1/00; A63H 1/02; A63H 1/04;
 A63H 1/10

See application file for complete search history.

(56) **References Cited**

U.S. PATENT DOCUMENTS

3,643,954 A * 2/1972 Meyer A63F 9/02
 273/119 A
 3,674,271 A * 7/1972 De Gelder A63H 1/00
 273/115
 3,841,636 A * 10/1974 Meyer A63F 9/14
 273/110
 D238,388 S * 1/1976 Monroe D21/338
 D246,609 S * 12/1977 Kanno D21/312

4,292,756 A * 10/1981 Jaworski A63H 1/00
 446/246
 4,630,822 A * 12/1986 Massaglia A63F 9/16
 273/118 A
 4,982,961 A * 1/1991 Ichimura A63F 9/16
 273/109
 D371,578 S * 7/1996 Henderson D21/338
 6,032,827 A * 3/2000 Zettle B65D 43/0212
 220/788
 D563,102 S * 3/2008 Cornwell D3/294
 D563,671 S * 3/2008 Cornwell D3/294
 7,389,987 B1 * 6/2008 Paukert A63F 7/025
 273/108.1
 D606,126 S * 12/2009 Ujita D21/397
 8,137,151 B2 * 3/2012 Kenney A63H 7/00
 446/330
 D715,623 S * 10/2014 Holtby D8/356
 D806,801 S * 1/2018 Shindo D21/338
 9,901,811 B2 * 2/2018 Shindo A63F 9/16
 9,962,615 B2 * 5/2018 Lema A63F 13/213
 D869,560 S * 12/2019 Schultheis D21/338
 D883,389 S * 5/2020 Schultheis D21/338
 D884,078 S * 5/2020 Hama D21/338
 D884,797 S * 5/2020 Schultheis D21/338
 D886,903 S * 6/2020 Ishii D21/338
 10,702,767 B2 * 7/2020 Campos A63F 9/16
 D900,228 S * 10/2020 Schultheis D21/338
 D904,521 S * 12/2020 Schultheis D21/338
 D912,157 S * 3/2021 Hama D21/338
 11,154,769 B2 * 10/2021 Schultheis A63F 9/16
 2007/0021029 A1 * 1/2007 Weidetz A63H 1/04
 446/256
 2007/0216090 A1 * 9/2007 Brown A63H 1/00
 273/108
 2009/0253343 A1 * 10/2009 Kitamura A63F 9/16
 446/256
 2009/0253349 A1 * 10/2009 Iwakoshi A63H 18/14
 446/429
 2010/0159798 A1 * 6/2010 Bertrand A63H 1/02
 446/259
 2010/0320682 A1 * 12/2010 Derrah A63F 9/14
 273/108.1
 2011/0189921 A1 * 8/2011 Andersen A63H 33/22
 446/242
 2013/0056929 A1 * 3/2013 Rehkemper A63H 17/004
 273/129 R
 2016/0030848 A1 * 2/2016 Lema A63F 13/73
 463/9
 2016/0375354 A1 * 12/2016 Francis A63F 9/16
 463/16
 2017/0239558 A1 * 8/2017 Shindo A63F 9/16
 2017/0333783 A1 * 11/2017 Shindo A63H 1/00
 2019/0184278 A1 * 6/2019 Campos A63H 1/04
 2020/0139224 A1 * 5/2020 Schultheis A63H 1/00
 2021/0060411 A1 * 3/2021 Schultheis A63F 9/16
 2021/0220724 A1 * 7/2021 Schultheis A63F 9/16

* cited by examiner

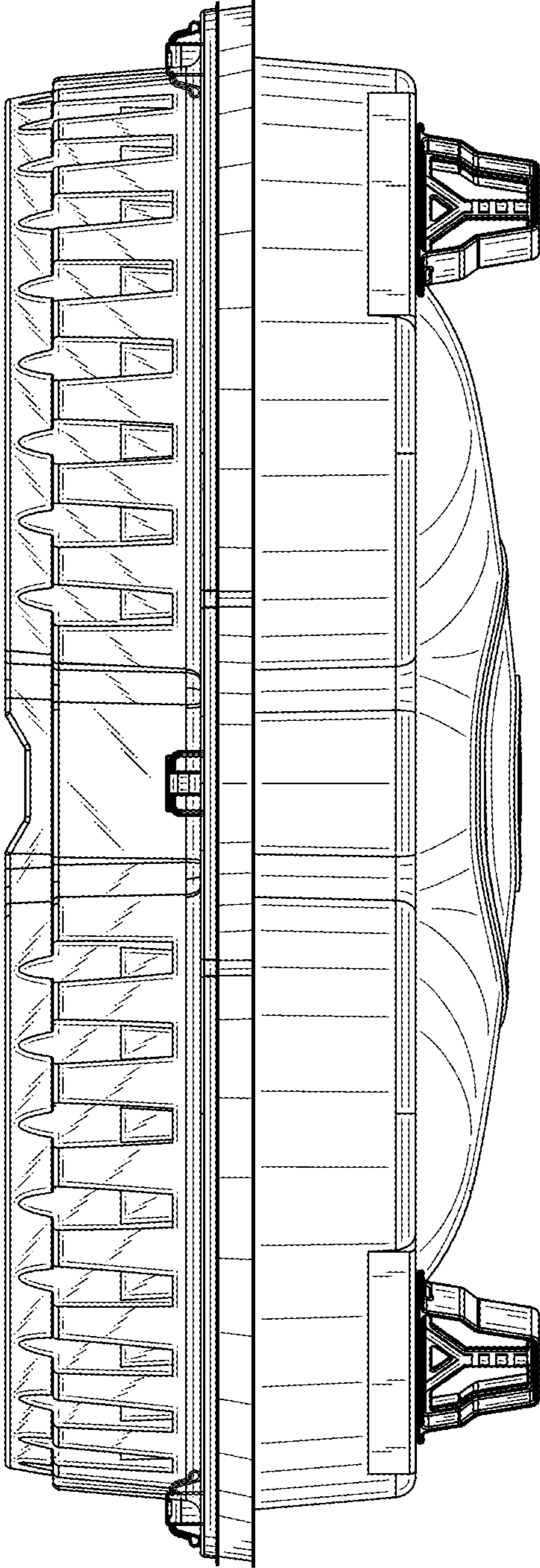


FIG. 1

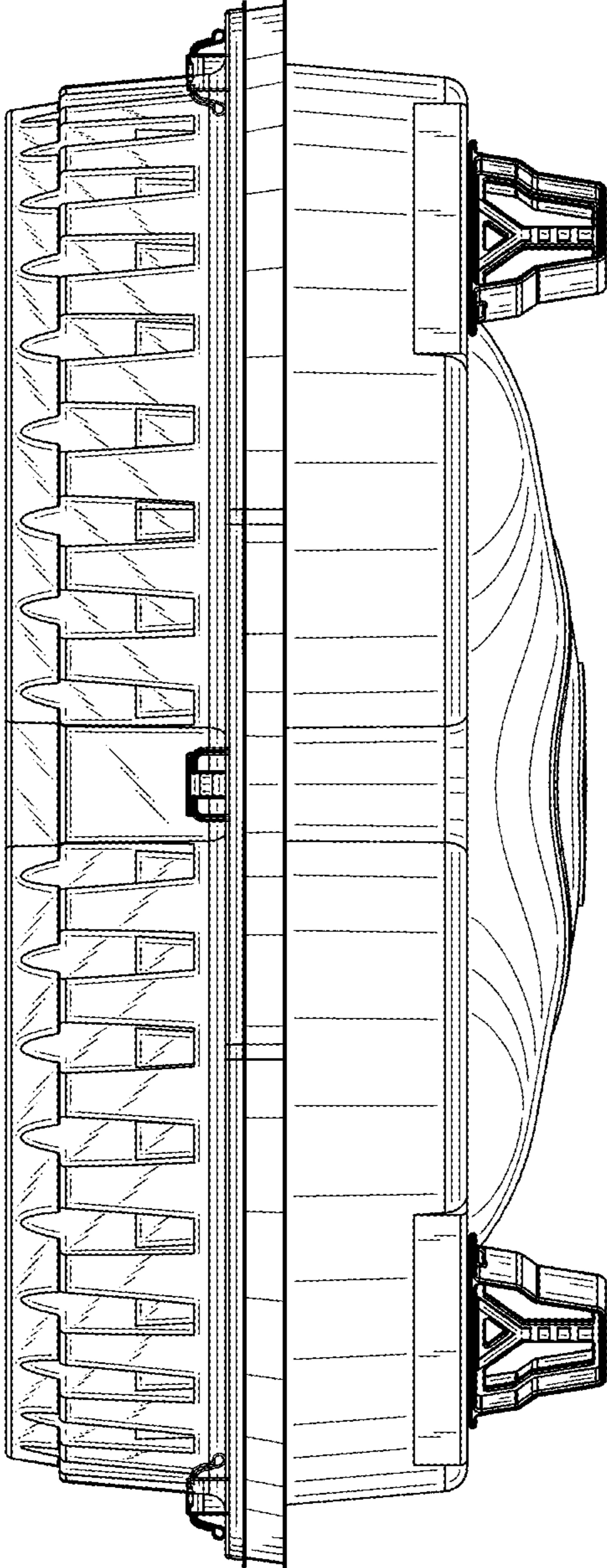


FIG. 2

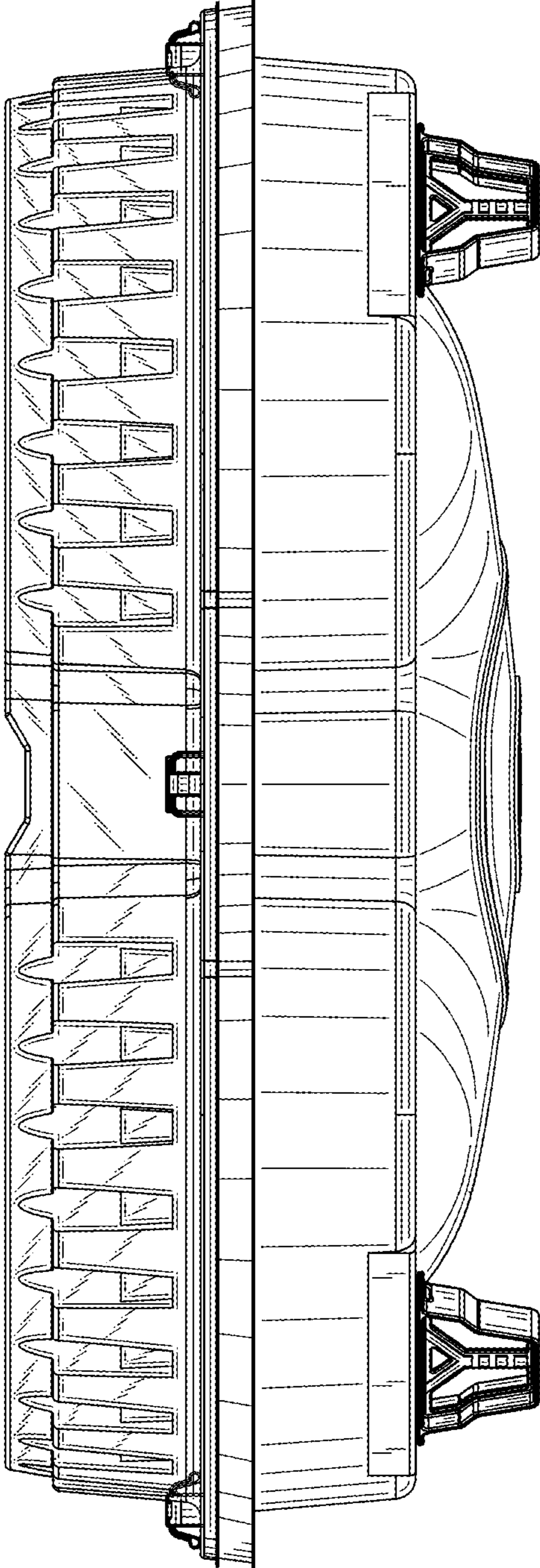


FIG. 3

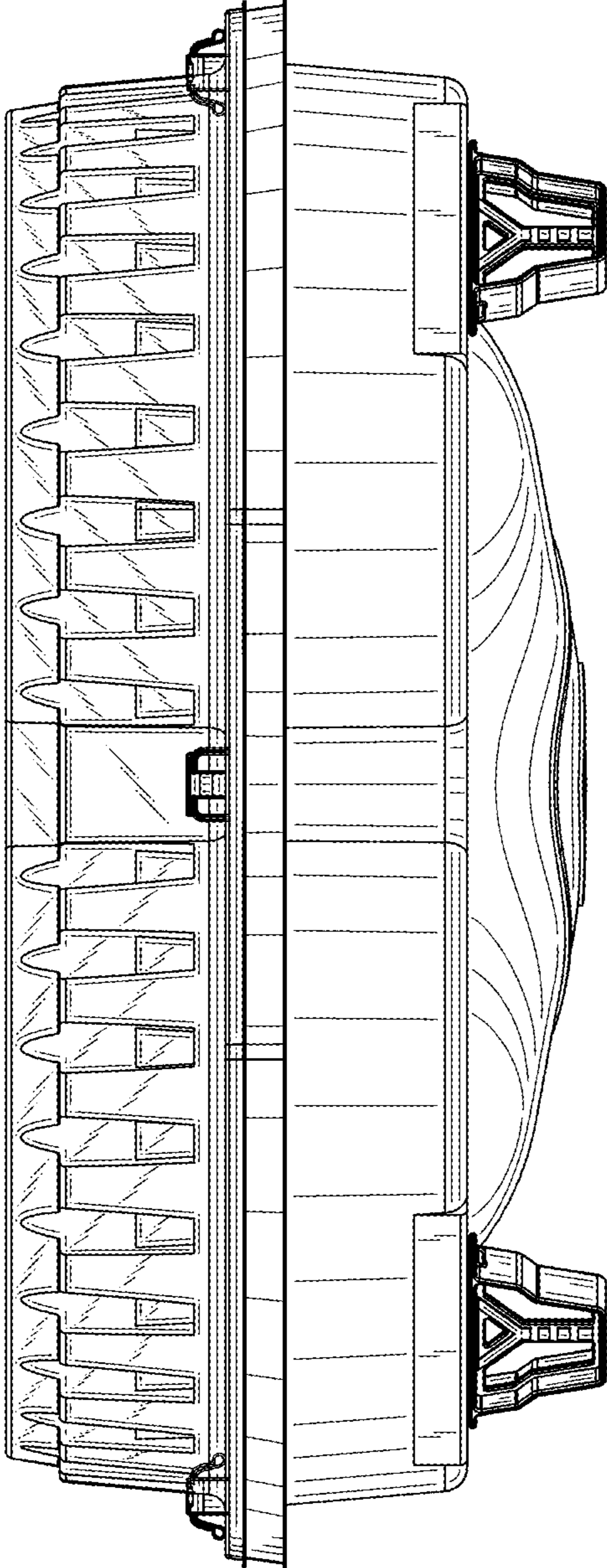


FIG. 4

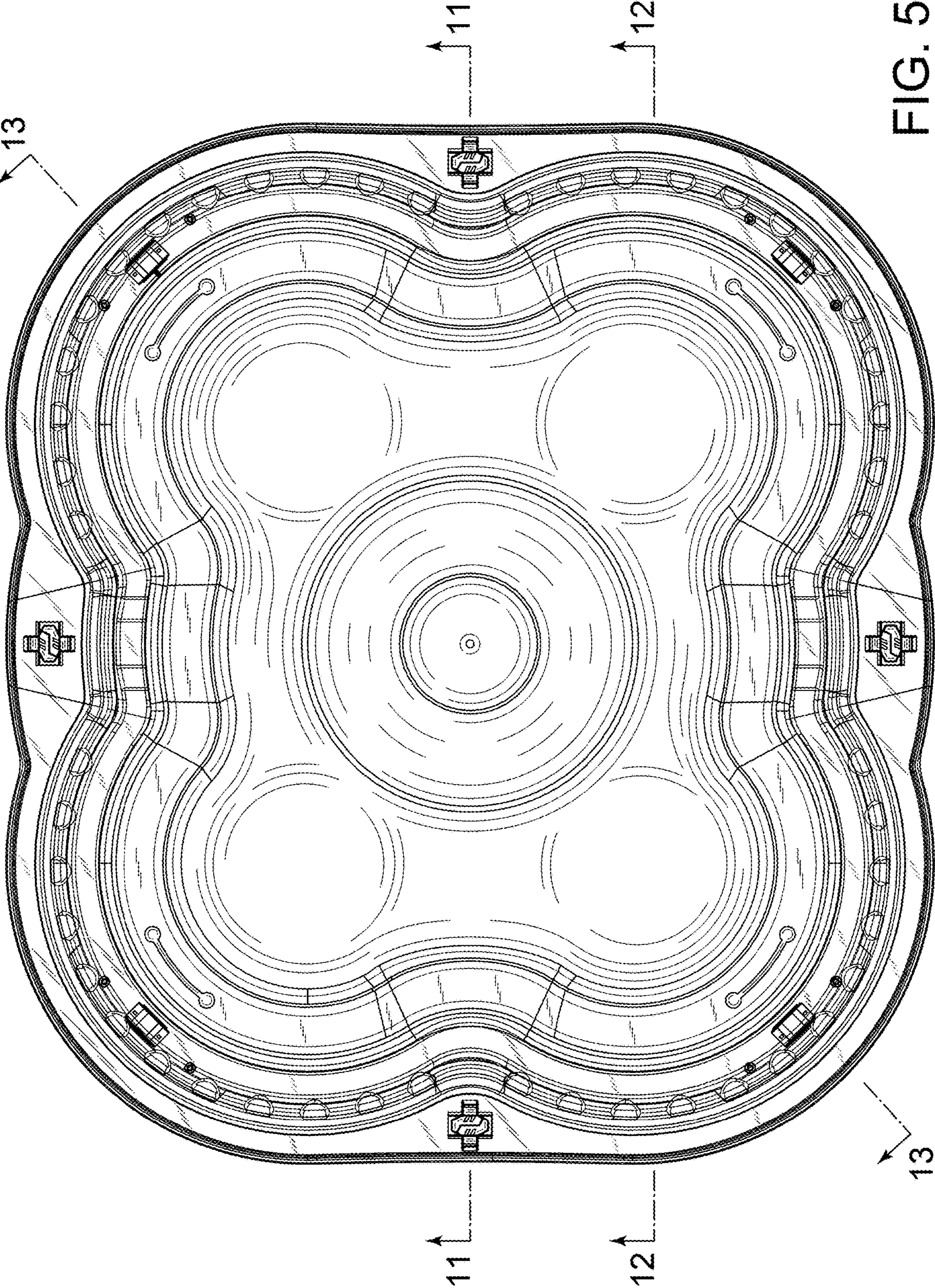


FIG. 5

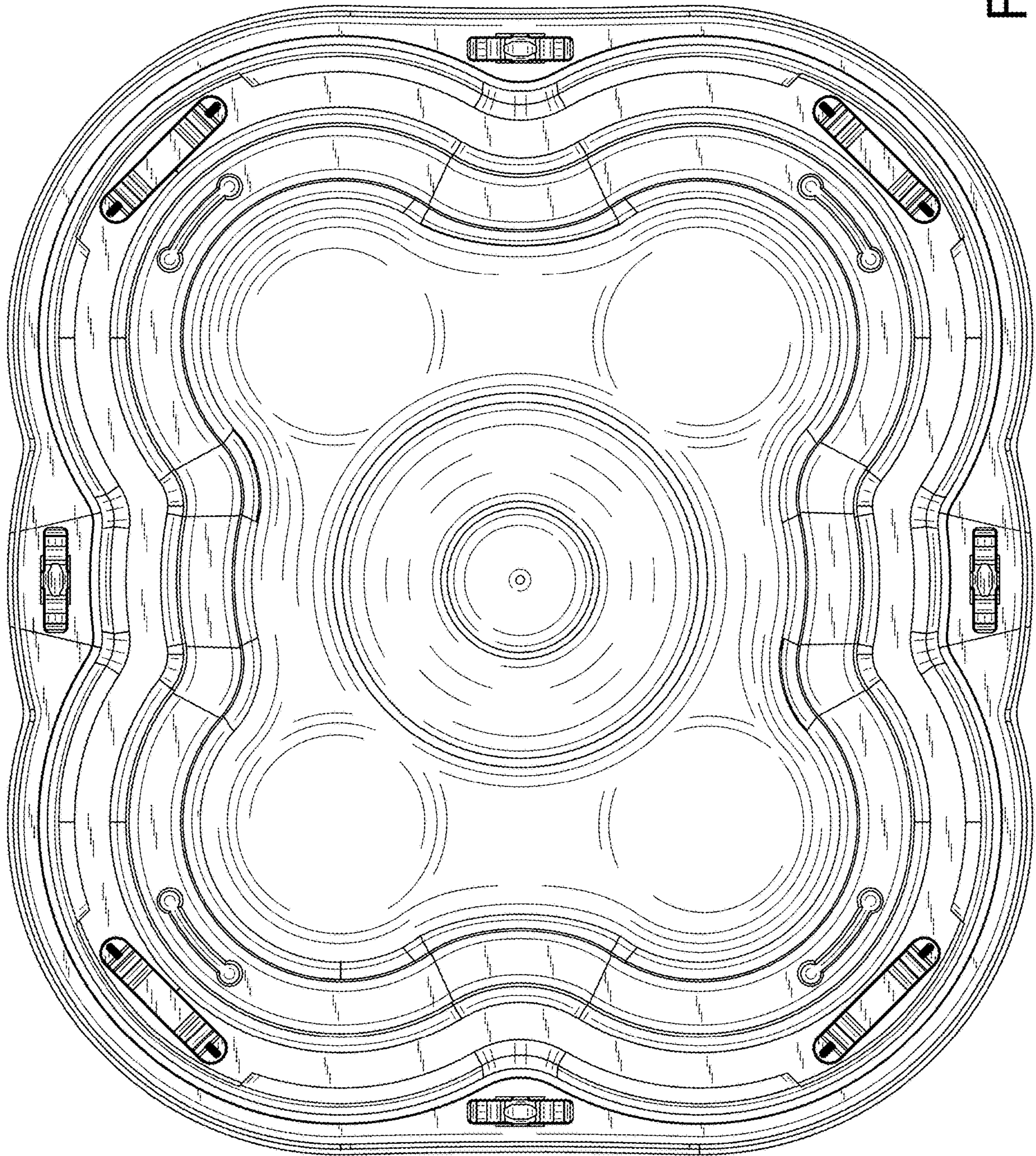


FIG. 6

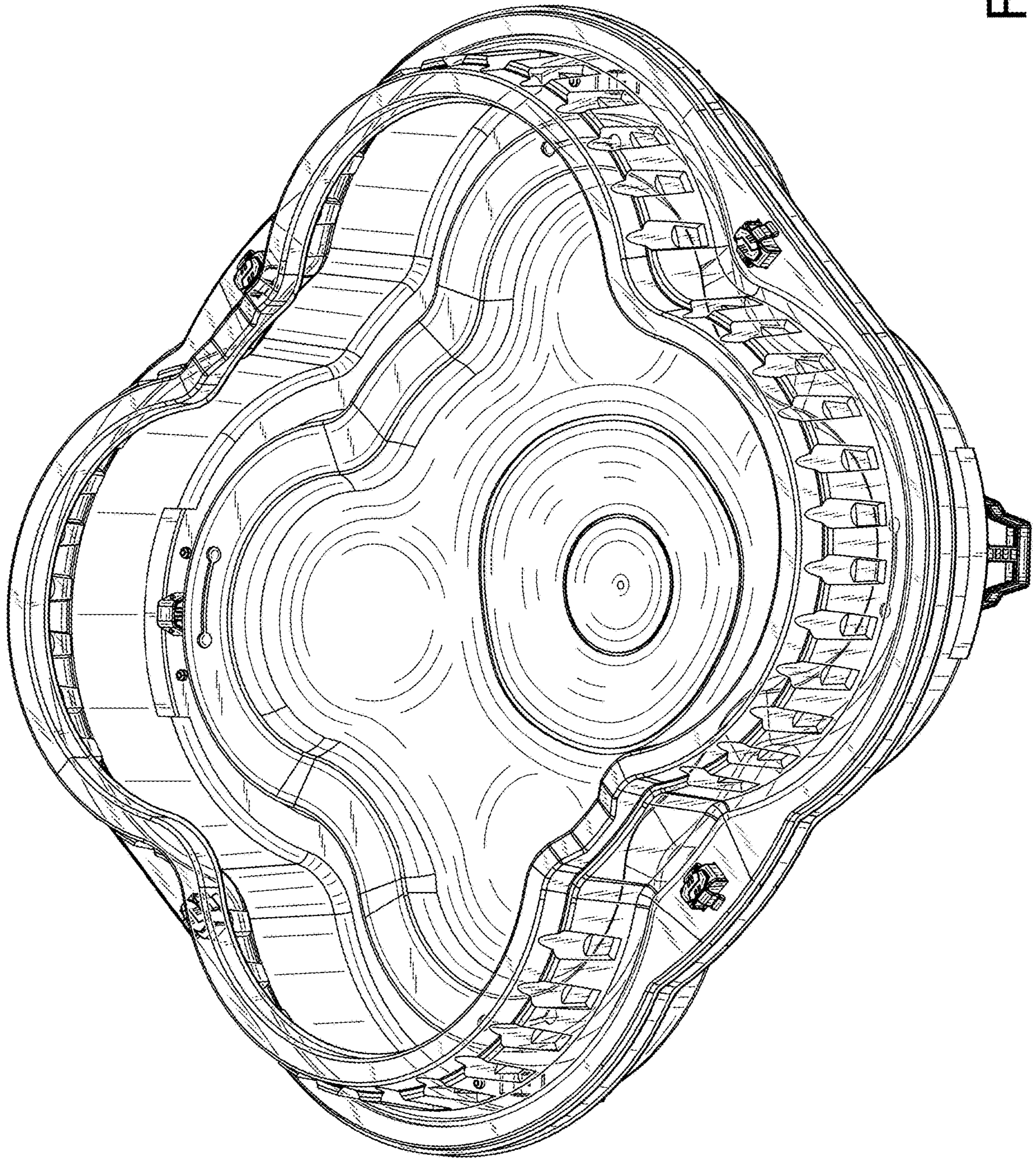


FIG. 7

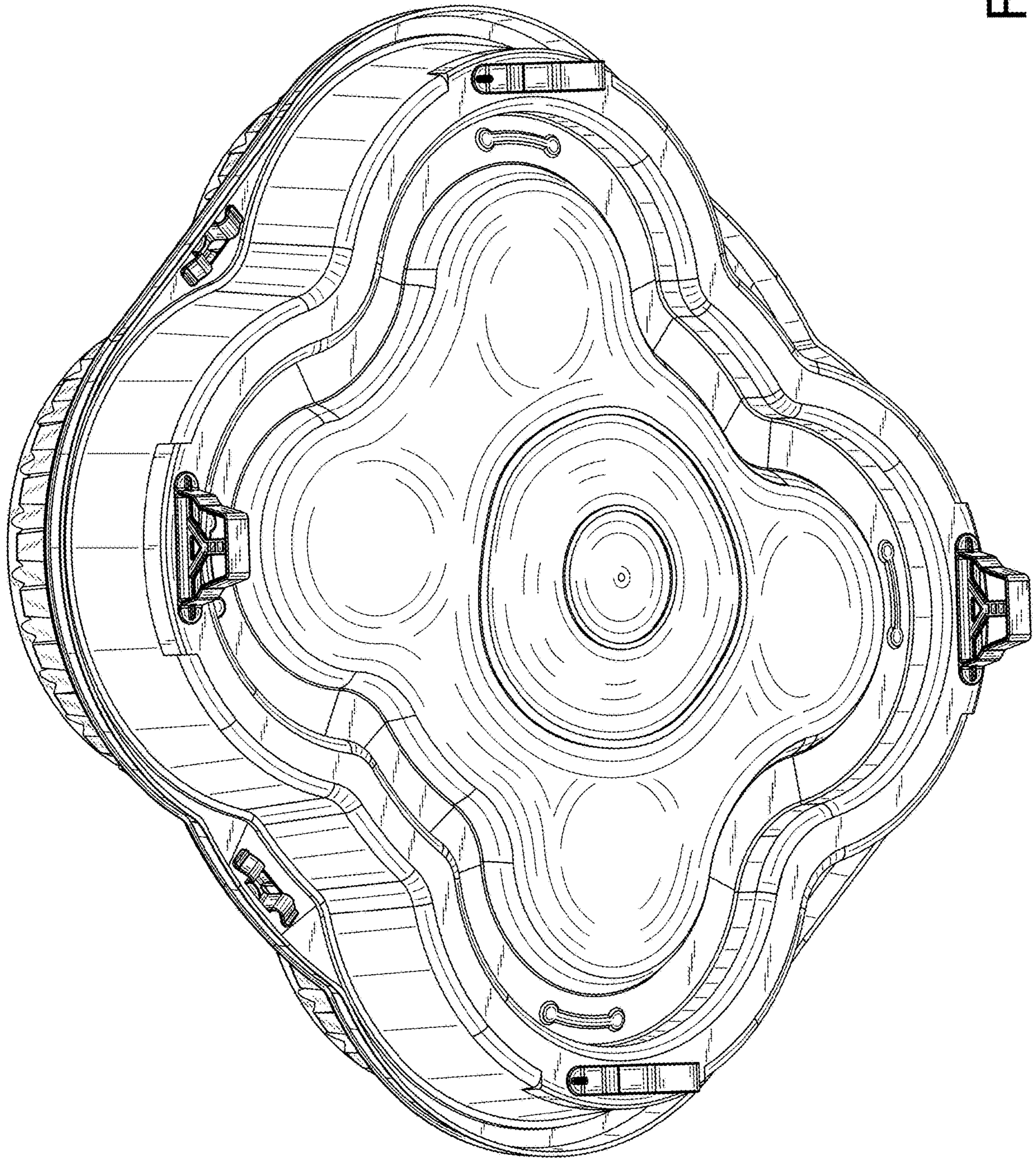


FIG. 8

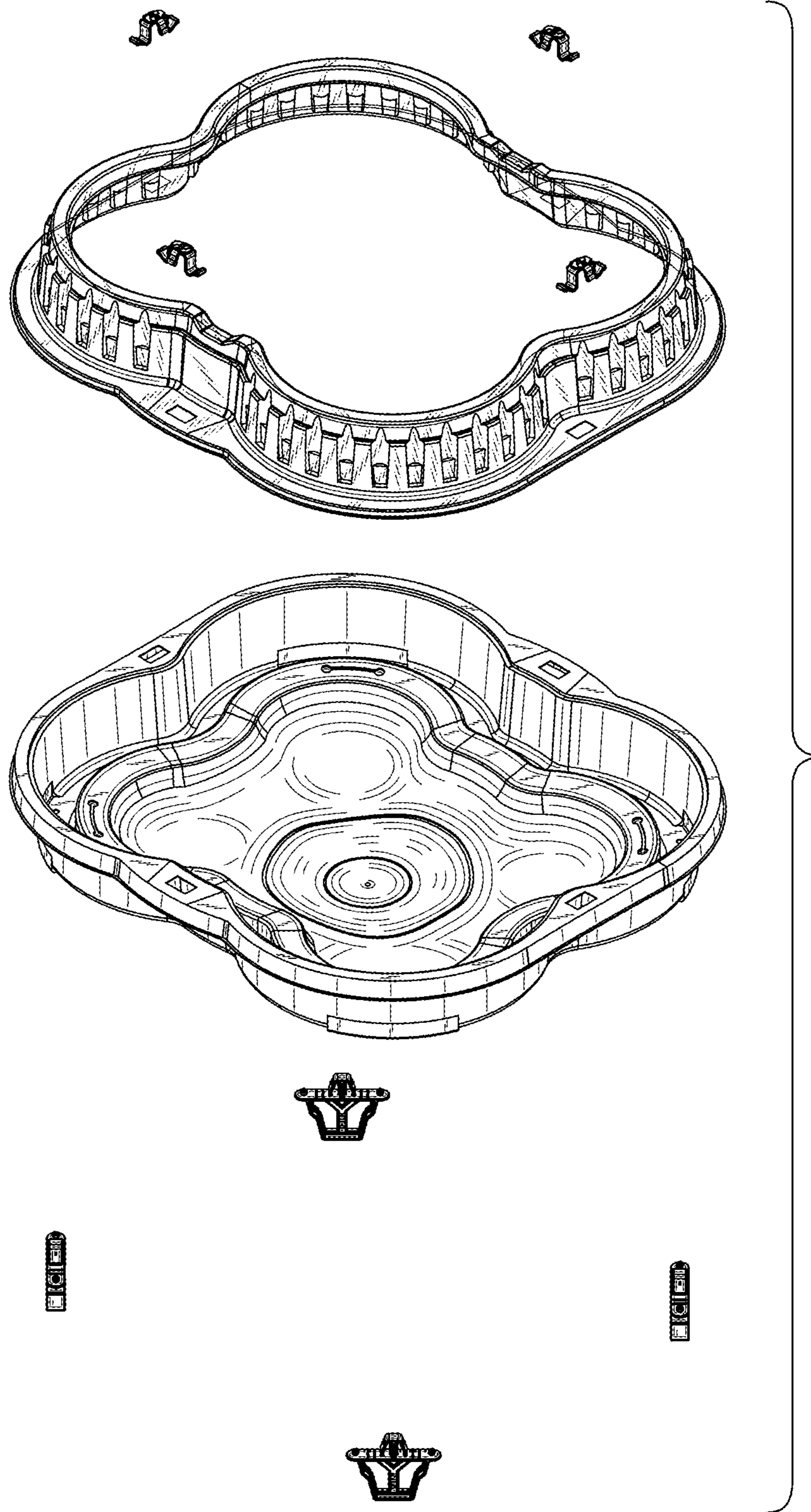


FIG. 9

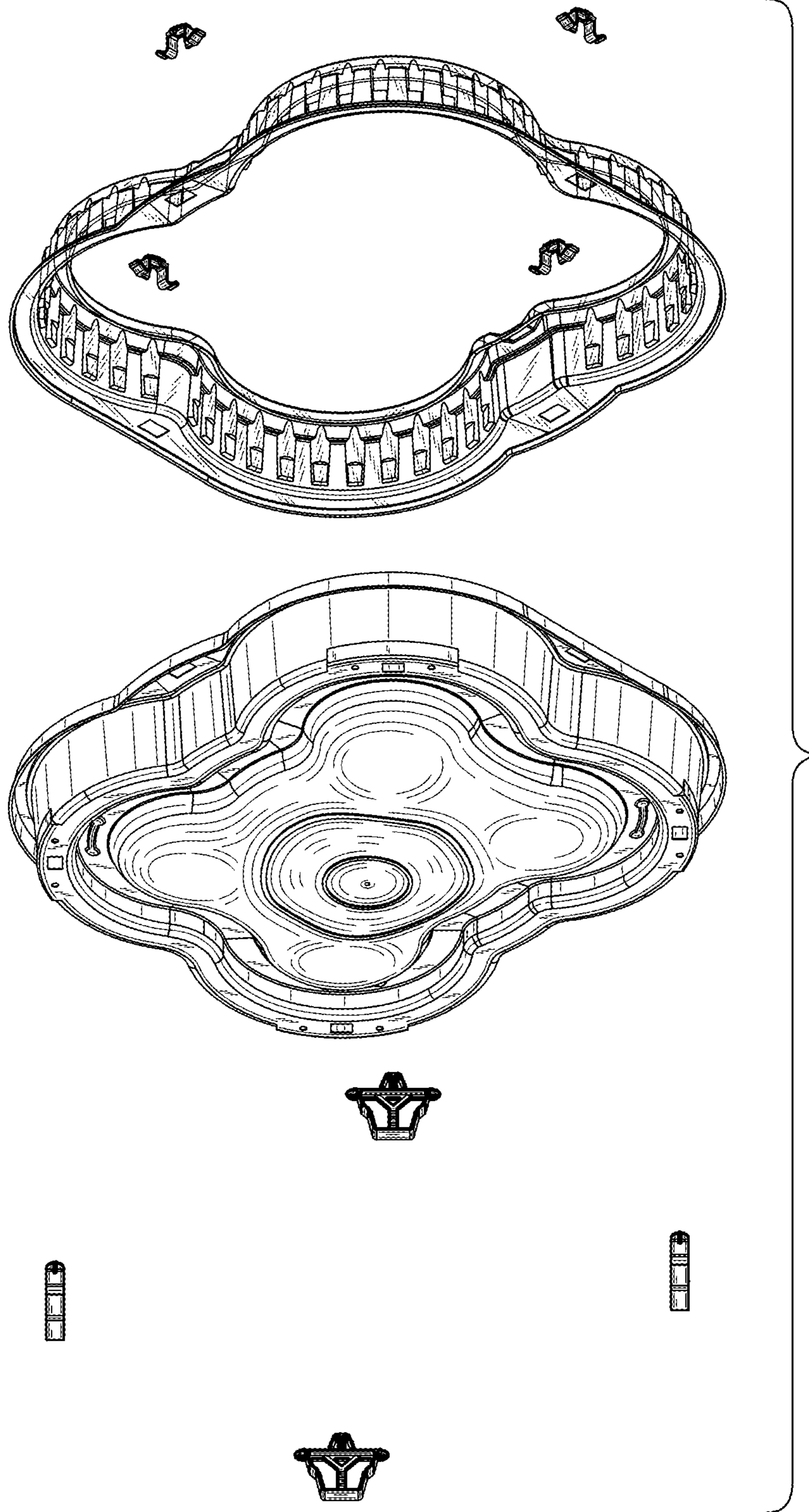


FIG. 10

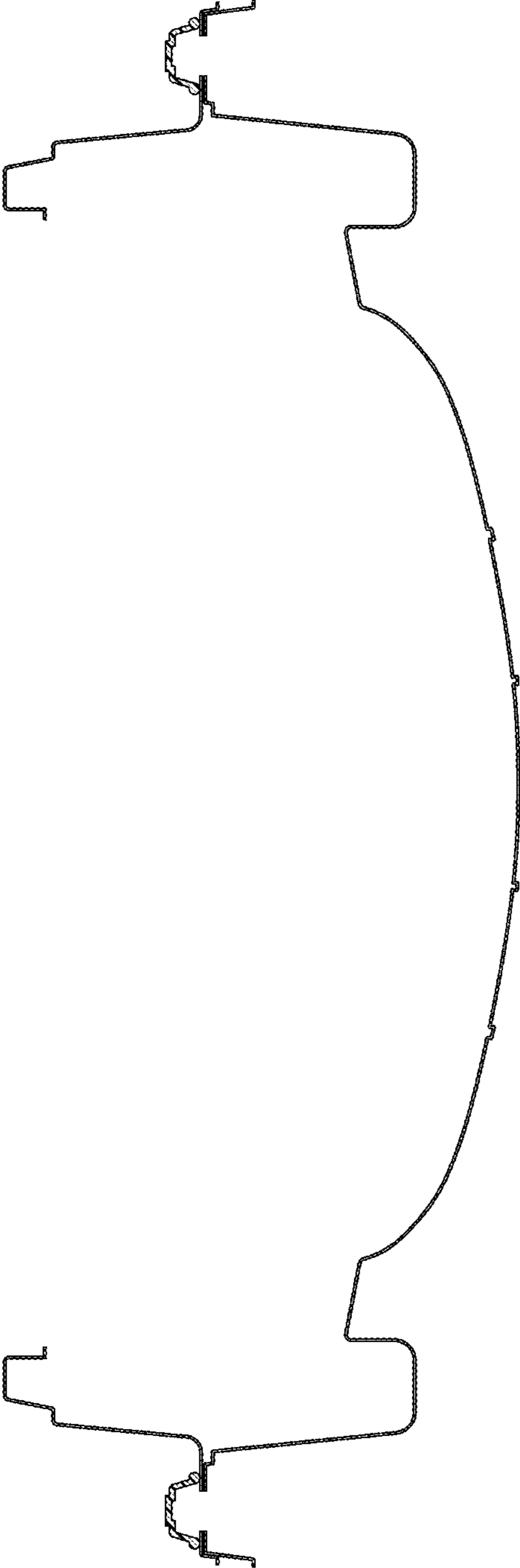


FIG. 11

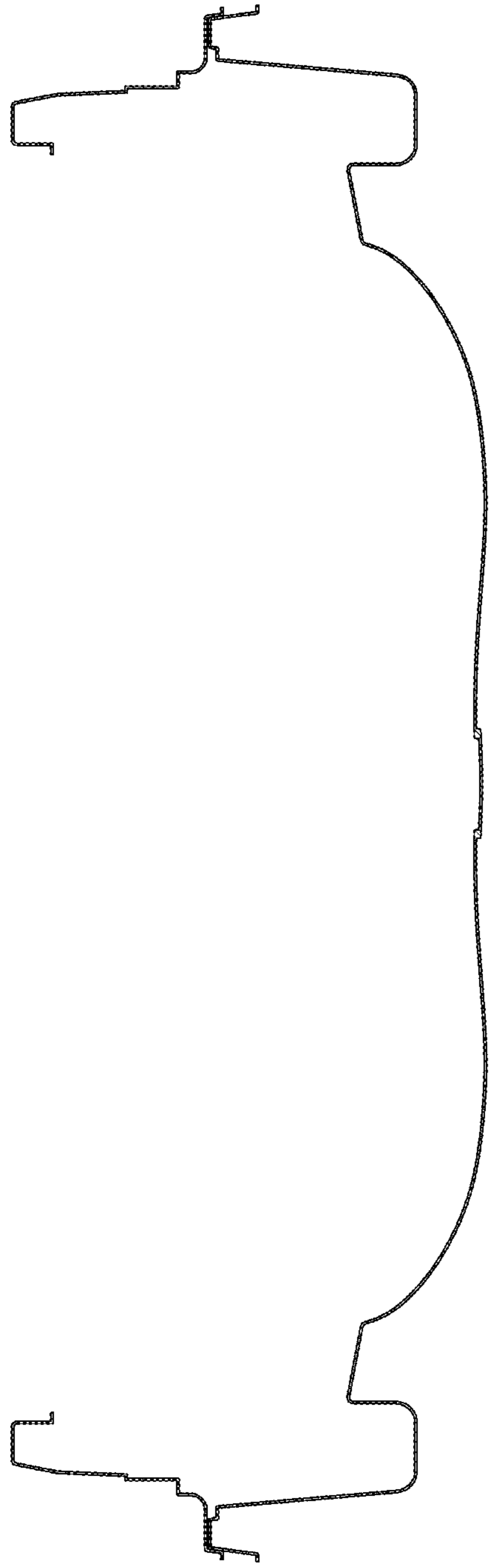


FIG. 12

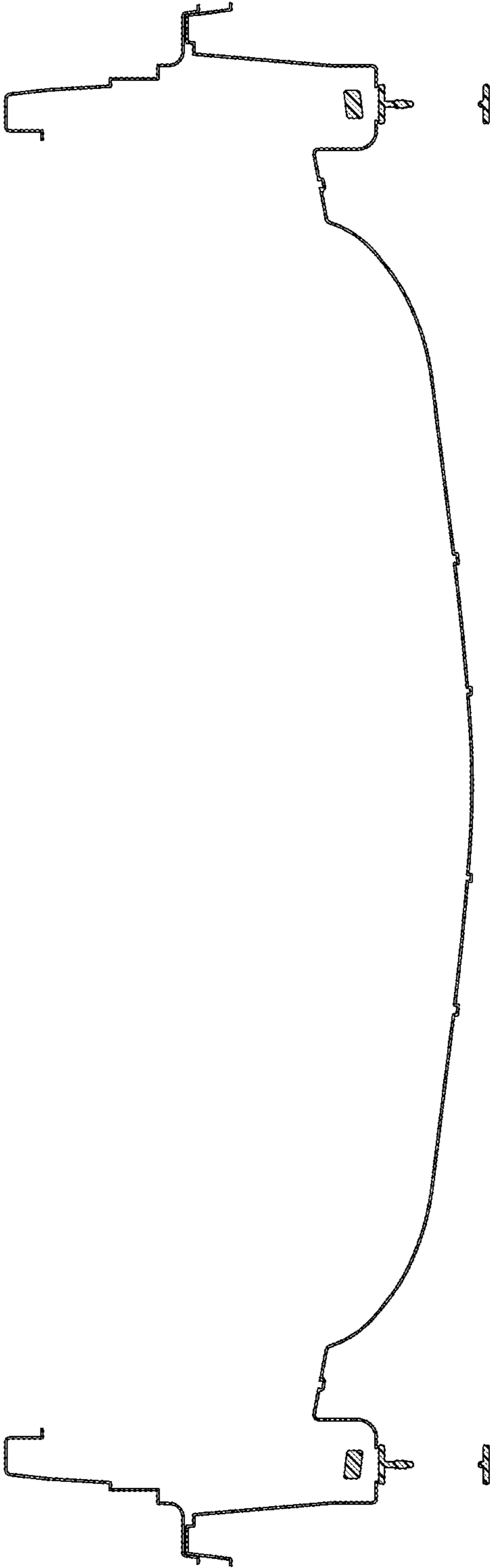


FIG. 13

FIG. 14

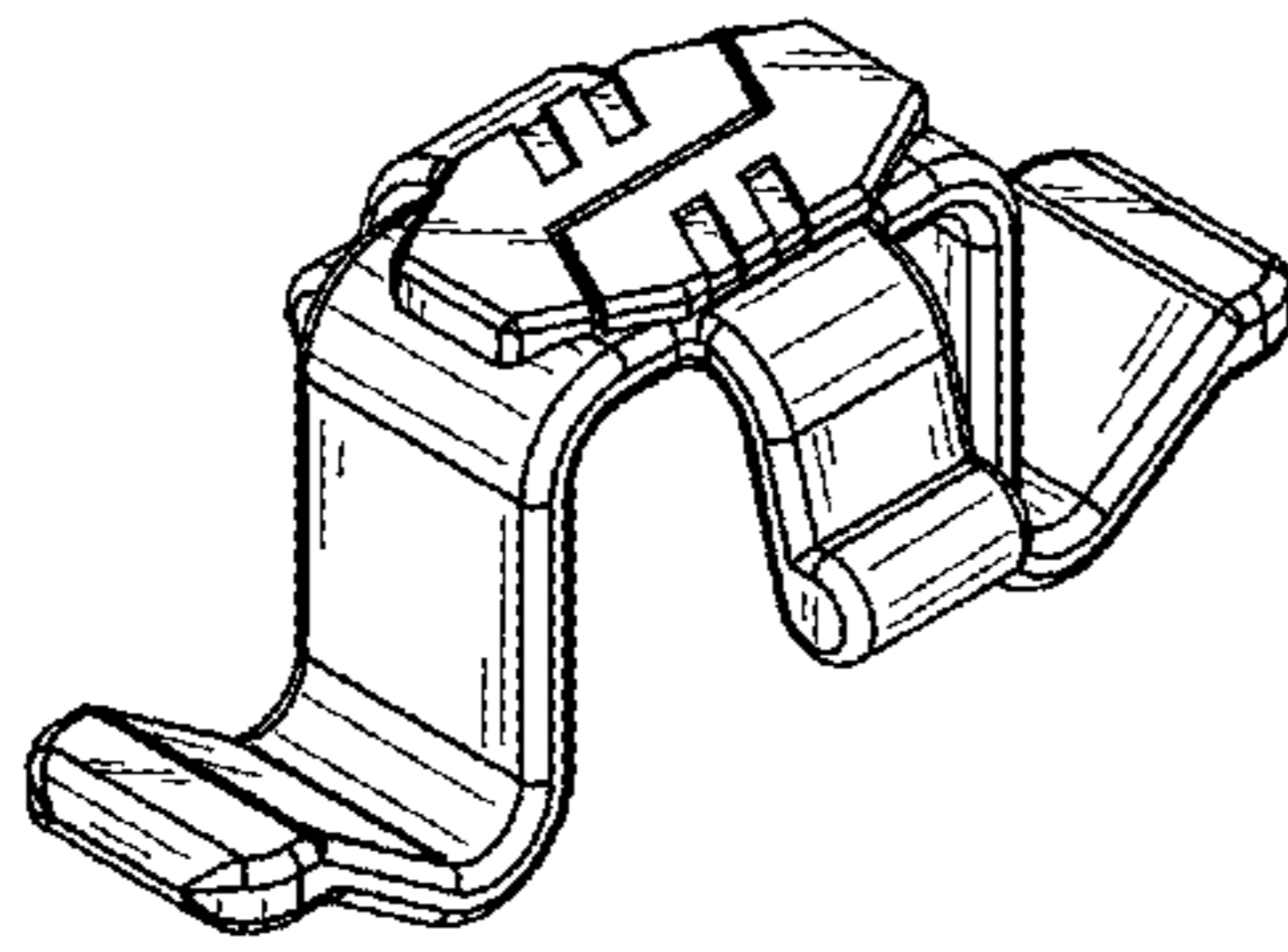


FIG. 15

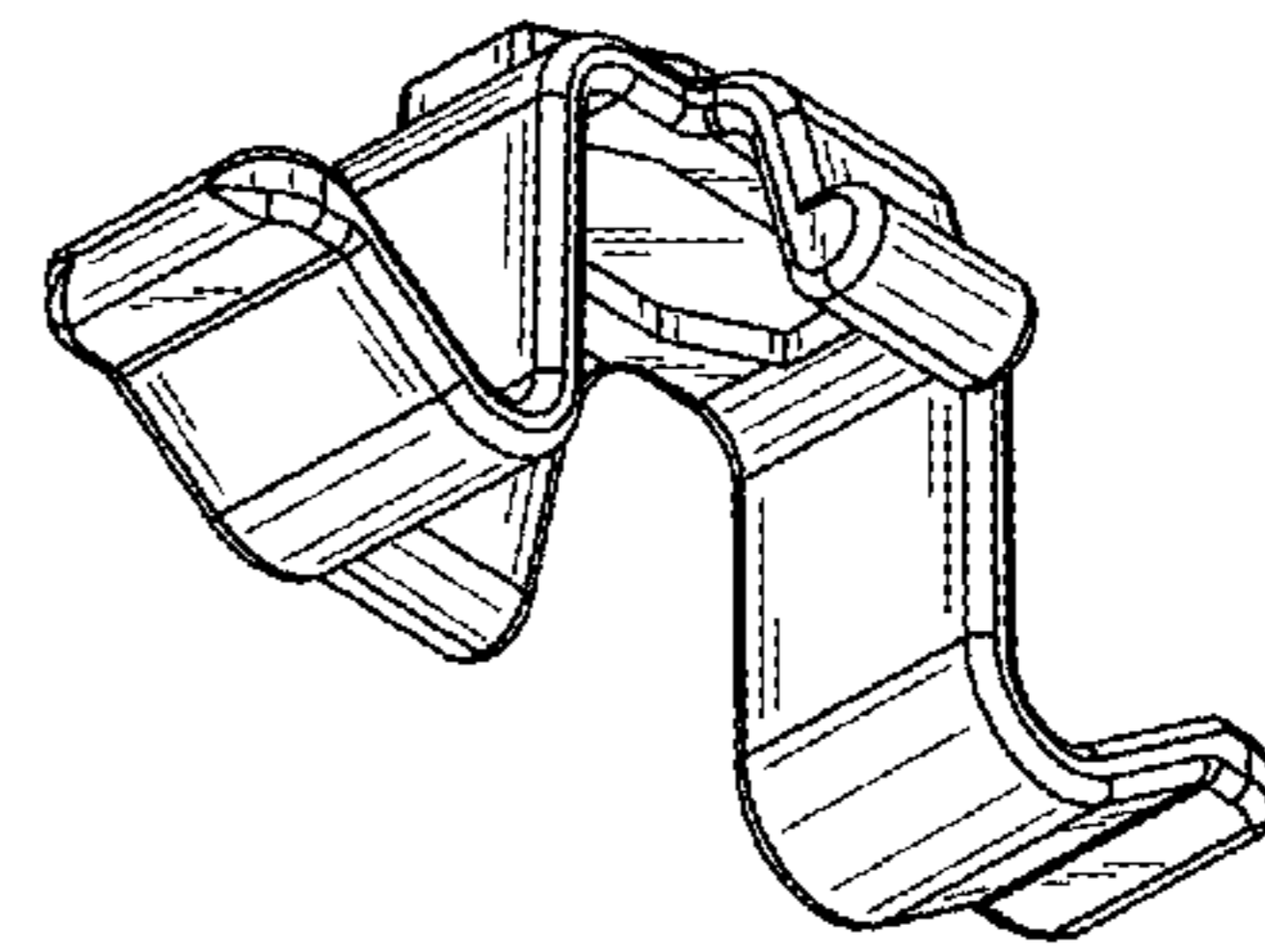


FIG. 16

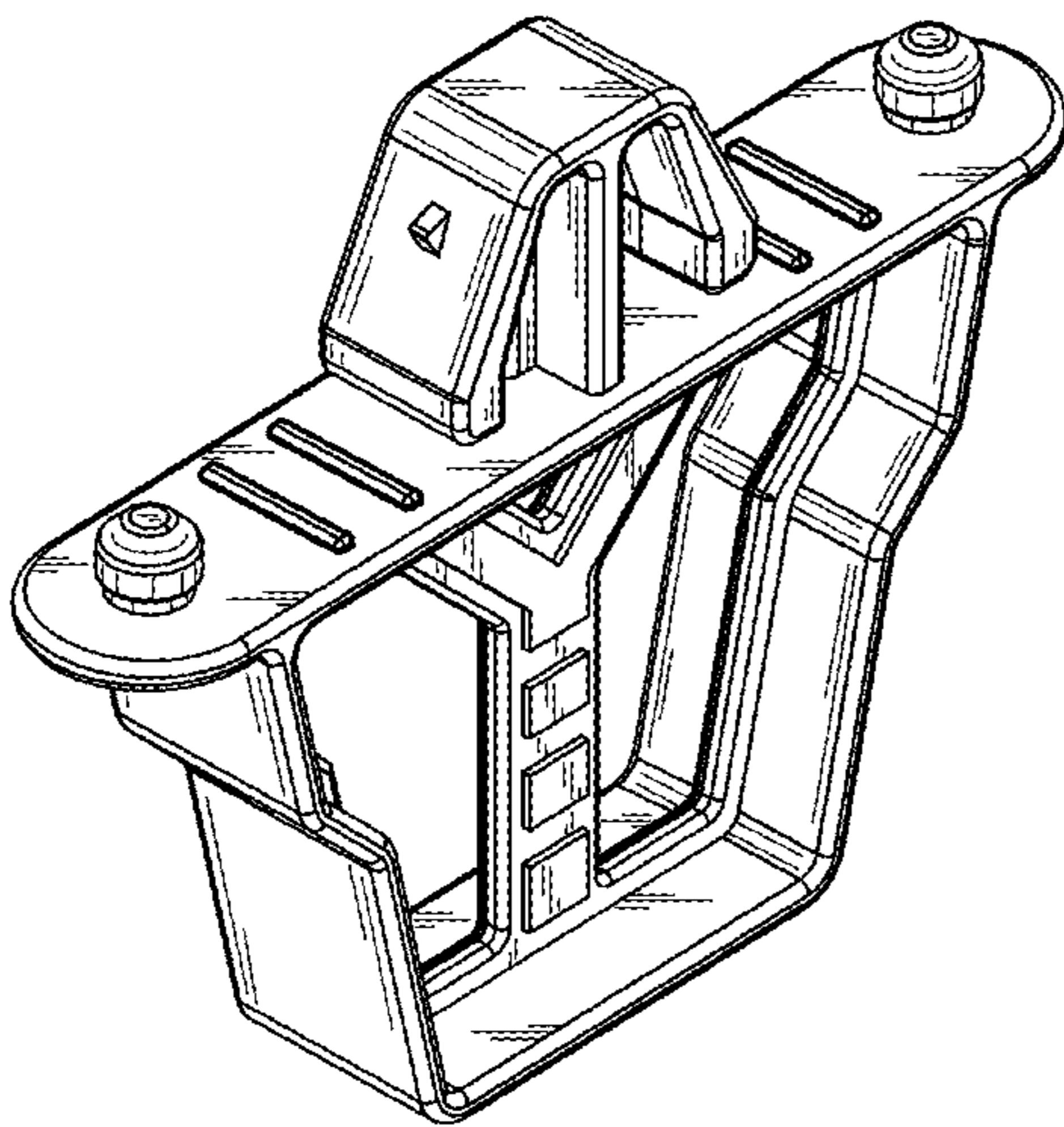
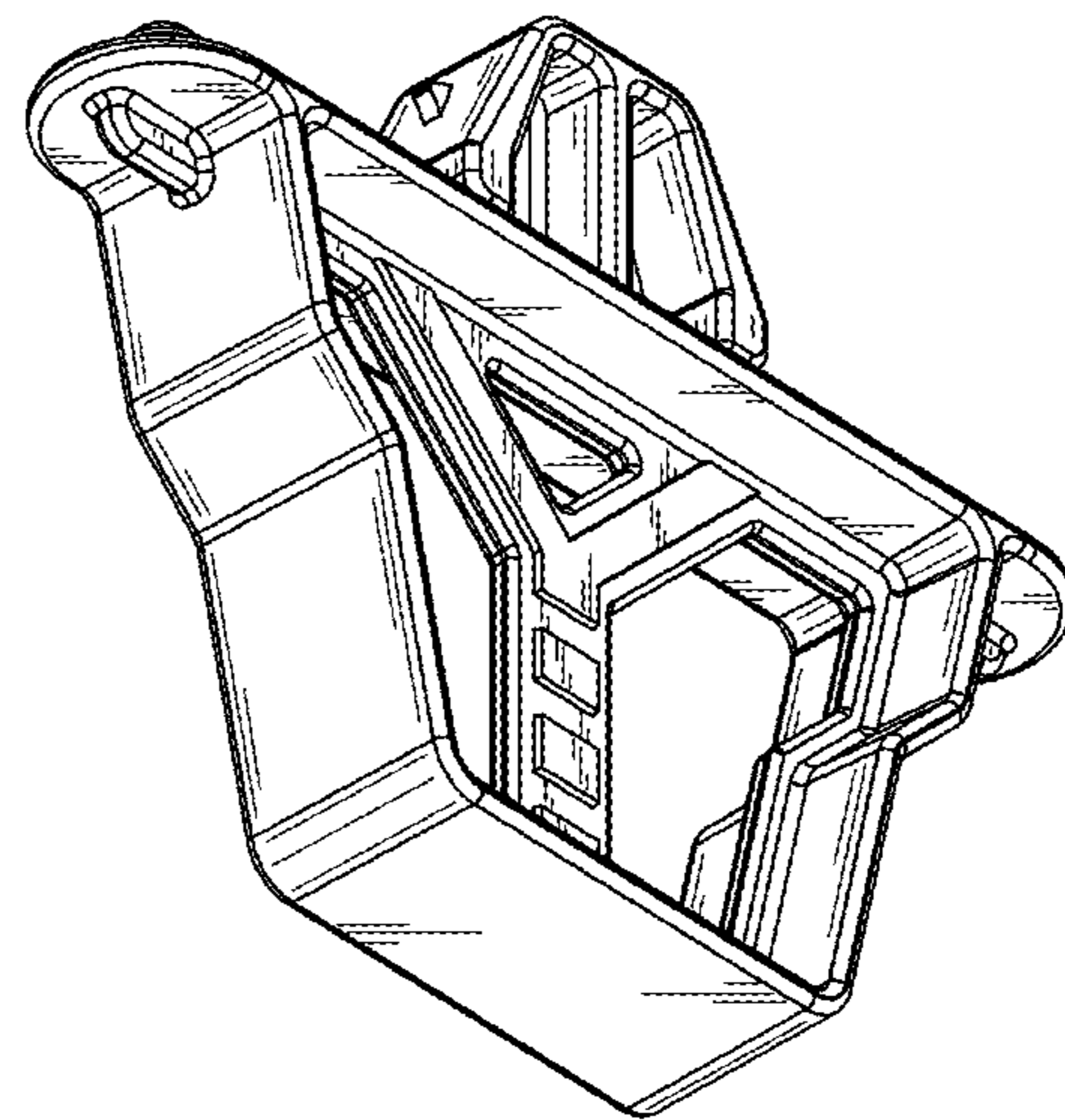


FIG. 17



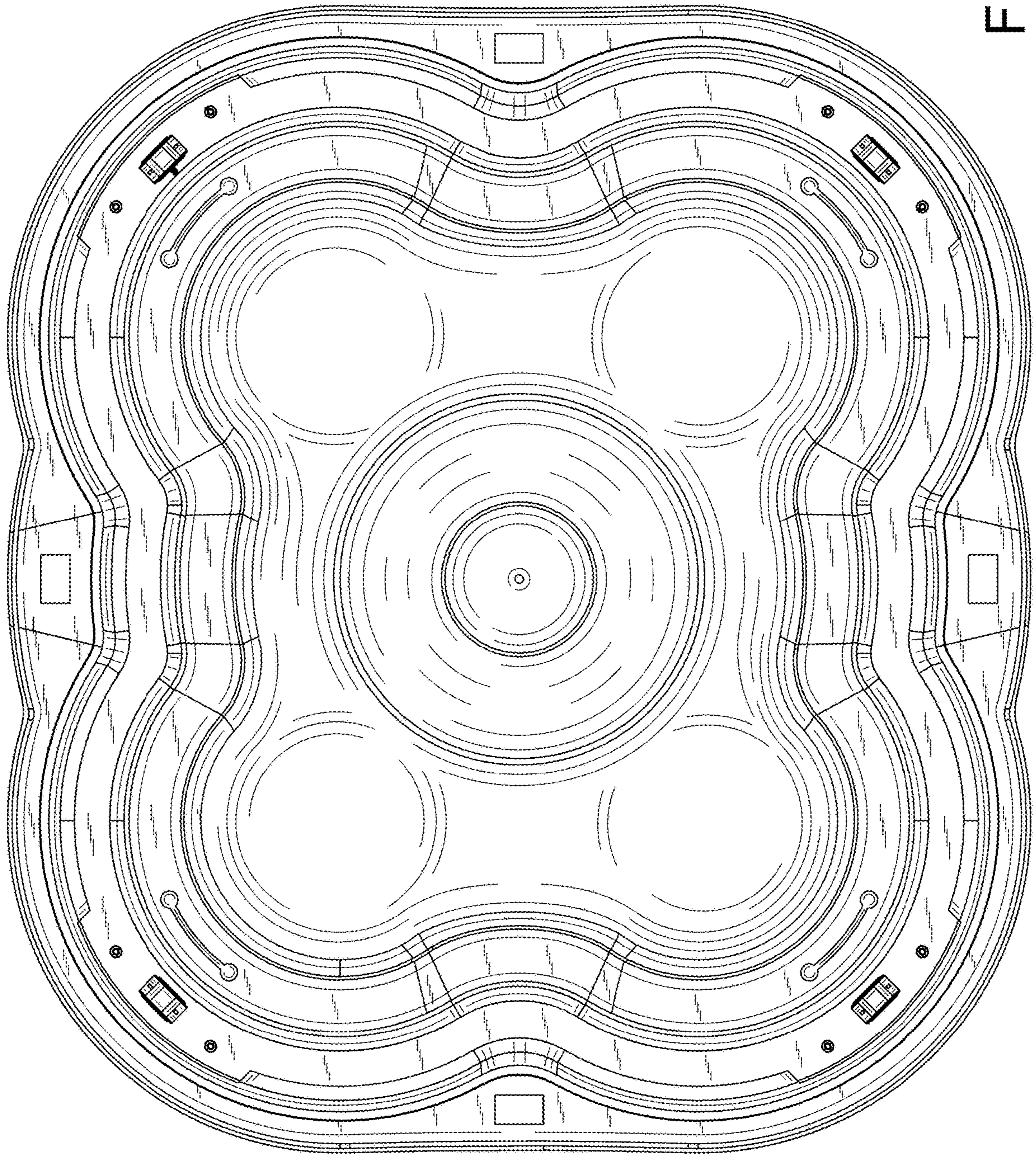


FIG. 18