



US00D952041S

(12) **United States Design Patent** (10) **Patent No.:** **US D952,041 S**  
**Li** (45) **Date of Patent:** **\*\* May 17, 2022**

(54) **PEN**  
(71) Applicant: **Shanghai Lees Manufacturing Co., Ltd.**, Shanghai (CN)  
(72) Inventor: **Lei Xin Li**, Shanghai (CN)  
(73) Assignee: **SHANGHAI LEES MANUFACTURING CO., LTD.**, Shanghai (CN)  
(\*\*) Term: **15 Years**  
(21) Appl. No.: **29/720,635**  
(22) Filed: **Jan. 15, 2020**  
(30) **Foreign Application Priority Data**

3,583,820 A \* 6/1971 Koeln ..... B43K 7/12  
401/107  
D337,350 S \* 7/1993 Wong ..... D19/170  
D358,844 S \* 5/1995 Ito ..... D19/195  
D454,590 S \* 3/2002 Sakuno ..... D19/195  
D484,538 S \* 12/2003 Daida ..... D19/168  
D532,454 S \* 11/2006 Togawa ..... D19/168  
D562,387 S \* 2/2008 Qiu ..... D19/121  
D569,431 S \* 5/2008 Qiu ..... D19/168  
D586,394 S \* 2/2009 Schnug ..... D19/170  
D612,889 S \* 3/2010 Watase ..... D19/195  
D628,629 S \* 12/2010 Liu ..... D19/130  
D642,620 S \* 8/2011 Allemeier ..... D19/175  
D659,758 S \* 5/2012 Kim ..... D19/163  
D681,115 S \* 4/2013 Lee ..... D19/168  
D685,423 S \* 7/2013 Zhang ..... D19/167  
D706,347 S \* 6/2014 Briggel ..... D19/170  
D713,879 S \* 9/2014 Shibata ..... D19/168  
D726,824 S \* 4/2015 Lee ..... D19/164  
D760,839 S \* 7/2016 Lee ..... D19/168  
D762,773 S \* 8/2016 Lee ..... D19/168  
D875,177 S \* 2/2020 Zhao ..... D19/167

Oct. 30, 2019 (CN) ..... 201930592832.0  
(51) **LOC (13) Cl.** ..... **19-06**  
(52) **U.S. Cl.**  
USPC ..... **D19/167**  
(58) **Field of Classification Search**  
USPC ..... D19/115-204; D14/411; D9/504, 529;  
D28/76, 88  
CPC . B43K 5/005; B43K 7/12; B43K 8/00; B43K  
8/02; B43K 8/04; B43K 8/06; B43K  
21/003; B43K 21/006; B43K 21/06;  
B43K 23/00  
See application file for complete search history.

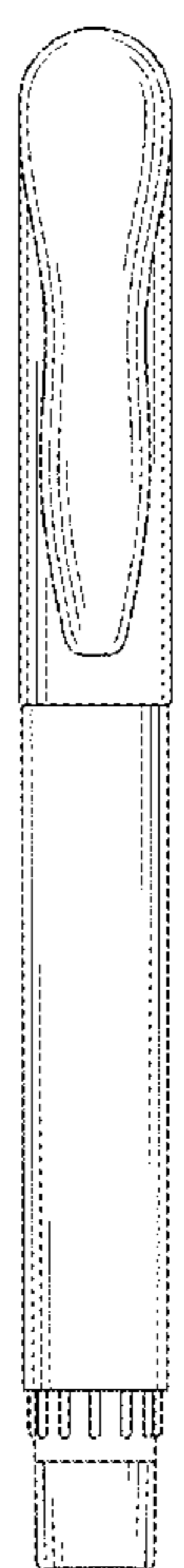
\* cited by examiner  
*Primary Examiner* — Elizabeth A. Albert  
(74) *Attorney, Agent, or Firm* — Mark M. Friedman

(56) **References Cited**  
U.S. PATENT DOCUMENTS  
2,479,414 A \* 8/1949 Sanbonmatsu ..... B43K 5/17  
401/107  
D215,042 S \* 8/1969 Di Spirito ..... D19/175

(57) **CLAIM**  
The ornamental design for a pen, as shown and described.

**DESCRIPTION**  
FIG. 1 is a front elevational view of a pen showing my new design;  
FIG. 2 is a rear elevational view thereof;  
FIG. 3 is a left side elevational view thereof;  
FIG. 4 is a right side elevational view thereof;  
FIG. 5 is a top plan view thereof;  
FIG. 6 is a bottom plan view thereof; and,  
FIG. 7 is a perspective view thereof.

**1 Claim, 4 Drawing Sheets**



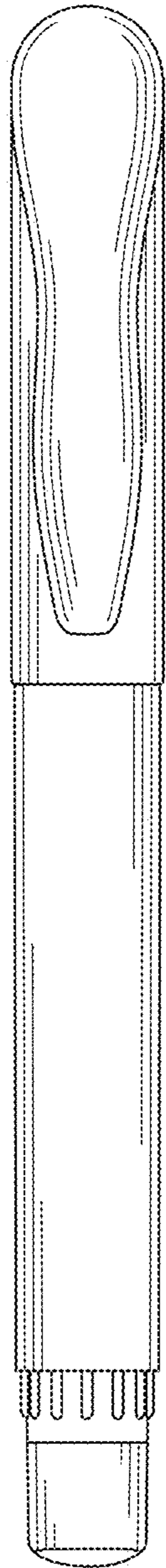


FIG. 1

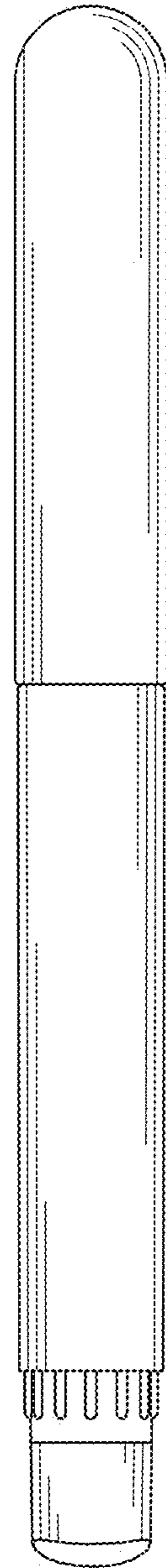


FIG. 2

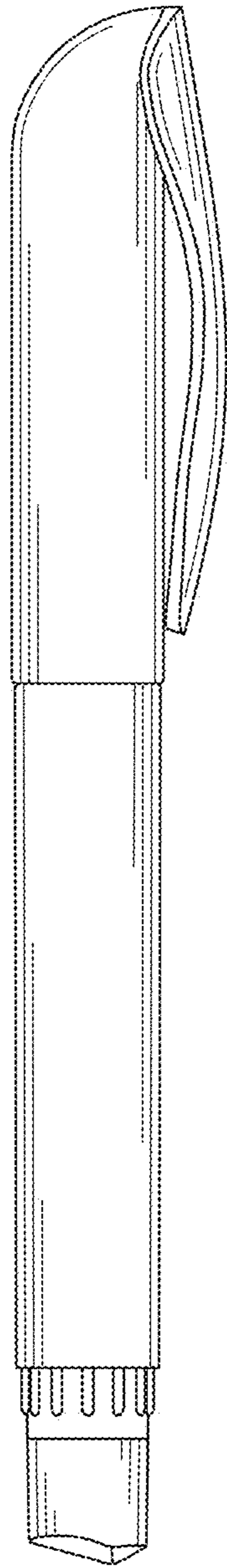


FIG. 3

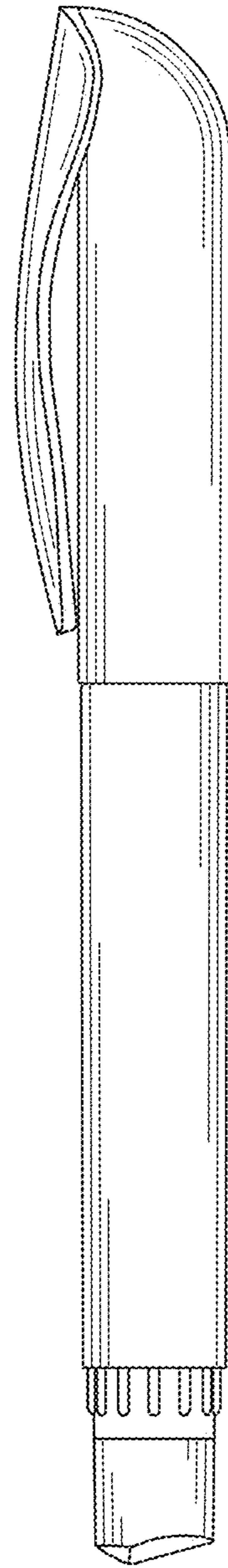


FIG. 4

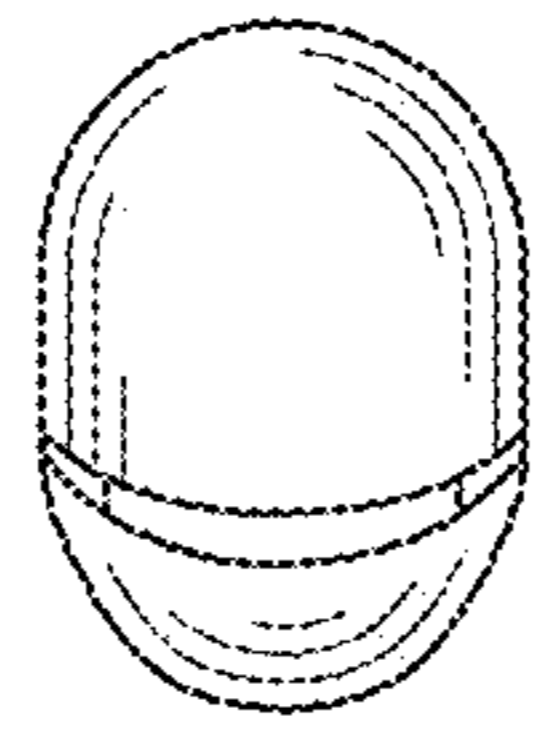


FIG. 5

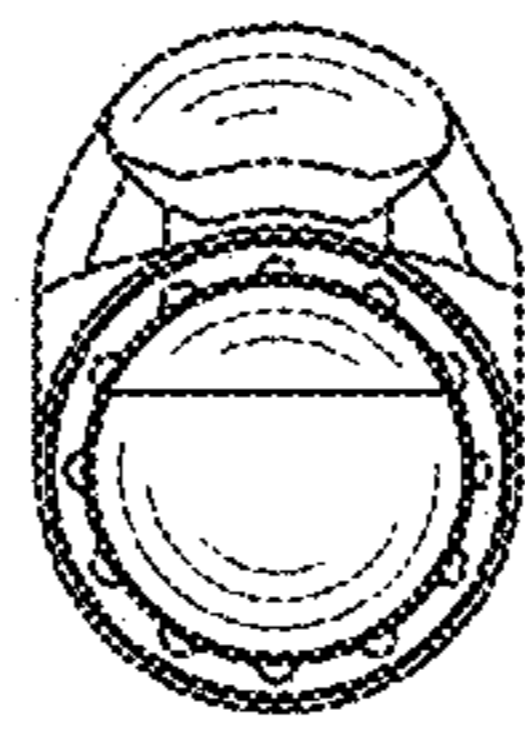


FIG. 6

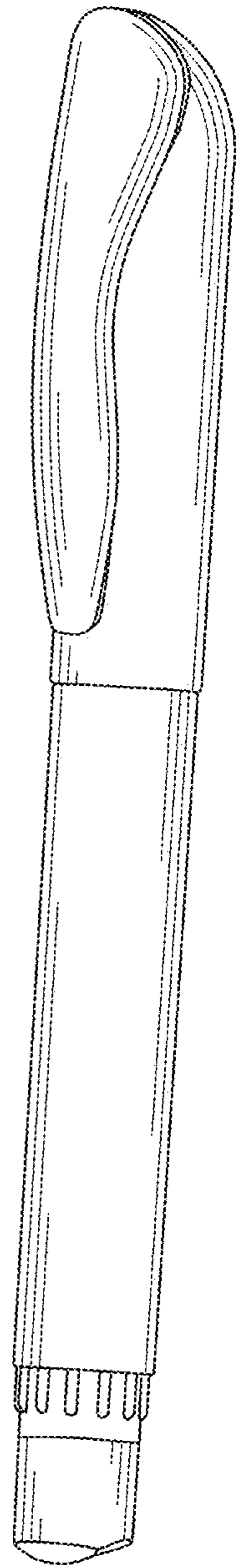


FIG. 7