



US00D952040S

(12) **United States Design Patent**
Zhong

(10) **Patent No.:** **US D952,040 S**

(45) **Date of Patent:** **** May 17, 2022**

(54) **CHRISTMAS ADVENT CALENDAR FERRIS WHEEL WITH DRAWERS**

(71) Applicant: **Shanghai Pioneer Effort Arts & Crafts Co., Ltd, Shanghai (CN)**

(72) Inventor: **Zhen Zhong, Shanghai (CN)**

(73) Assignee: **SHANGHAI PIONEER EFFORT ARTS & CRAFTS CO., LTD, Shanghai (CN)**

(**) Term: **15 Years**

(21) Appl. No.: **29/758,702**

(22) Filed: **Nov. 18, 2020**

(51) **LOC (13) Cl.** **19-03**

(52) **U.S. Cl.**
USPC **D19/24**

(58) **Field of Classification Search**
USPC D19/1-12, 20-34, 75-77, 86, 59, 91,
D19/113; 40/124.01-124.15, 726,
40/109-110, 107, 113-118, 358, 649,
40/642.02; 283/2-3; D20/10, 20, 27, 40,
D20/15, 43, 39, 41-42; 368/28, 276-278;
D10/15, 2-3; 206/214-215; 281/44;
248/148; 211/13.1, 50, 24;
D25/140-141; 463/16-20

CPC .. B42D 15/022; B42D 15/027; B42D 15/045;
B42D 15/042; B42D 25/00; B42D 25/20;
B42D 25/23; B42D 25/26; B42D 25/29;
B42D 25/30; B42D 25/285; B42D
2033/02; B42D 2033/04; B42D 2033/10;
B42D 2033/16; B42D 2033/18; B42D
2033/20; B42D 2033/22; B42D 2033/28;
B42D 2033/30; B43L 1/00; B43L 1/008;

B43L 1/08; B43L 1/04; B43L 5/00; B43L
5/02; G09F 1/12; G09F 15/00; G09F
15/0006; G09F 15/0062; G09F 15/0068;
G09F 15/0012; G09F 2007/1834; G09F
2007/1856; G09F 17/00; A61F 9/24
See application file for complete search history.

(56) **References Cited**

U.S. PATENT DOCUMENTS

D548,288 S * 8/2007 Baerlocher D21/385
D857,662 S * 8/2019 Warsawski D14/218

* cited by examiner

Primary Examiner — Abraham Bahta

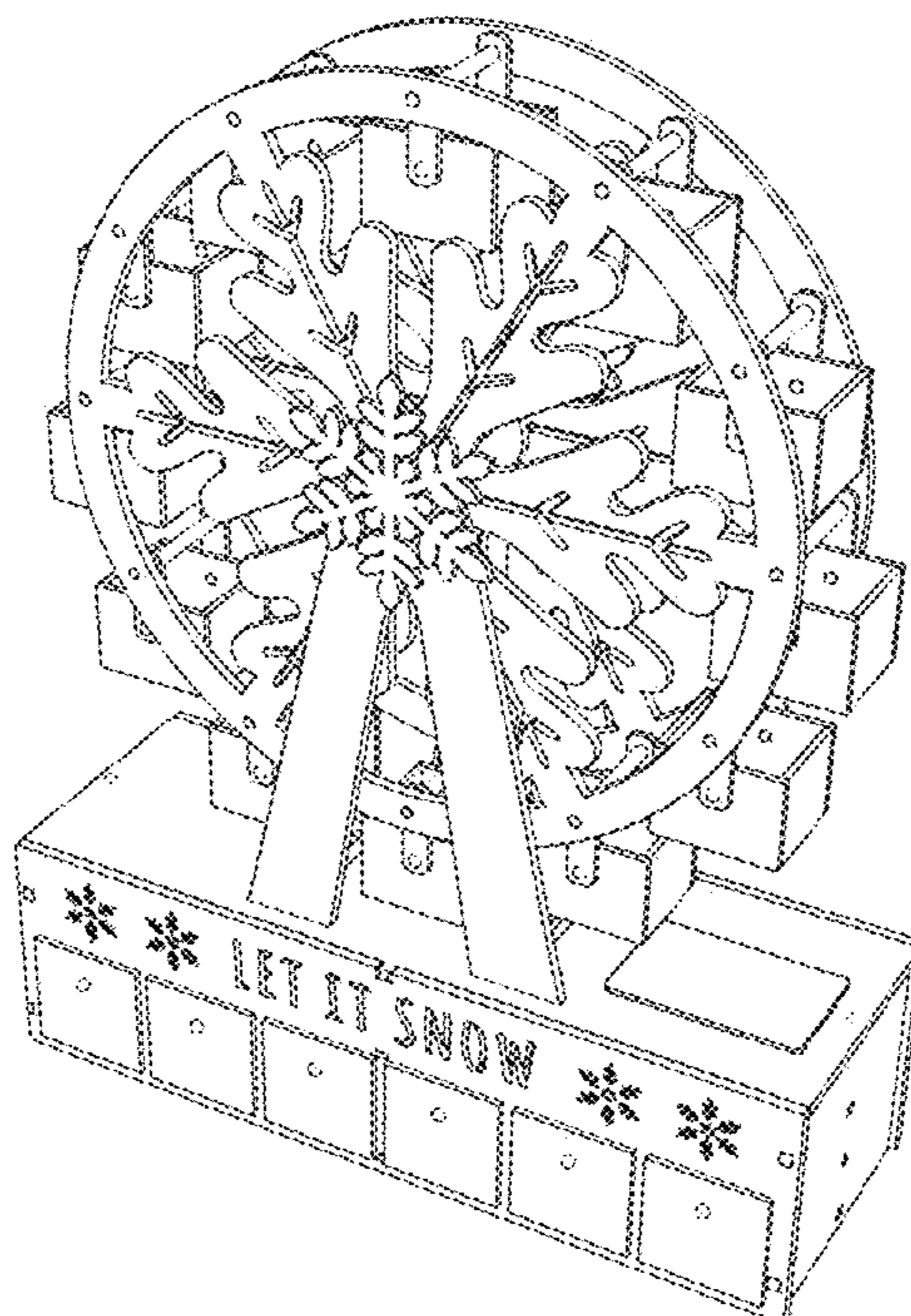
(57) **CLAIM**

The ornamental design for a Christmas advent calendar ferris wheel with drawers, as shown and described.

DESCRIPTION

FIG. 1 is a perspective view of the Christmas advent calendar ferris wheel with drawers showing my new design; FIG. 2 is another perspective view thereof; FIG. 3 is a front view thereof; FIG. 4 is back view thereof; FIG. 5 is a left side view thereof; FIG. 6 is a right side view thereof; FIG. 7 is a top view thereof; and, FIG. 8 is a bottom view thereof. The broken lines in the drawing depict environmental subject matter only and form no part of the claimed design.

1 Claim, 8 Drawing Sheets



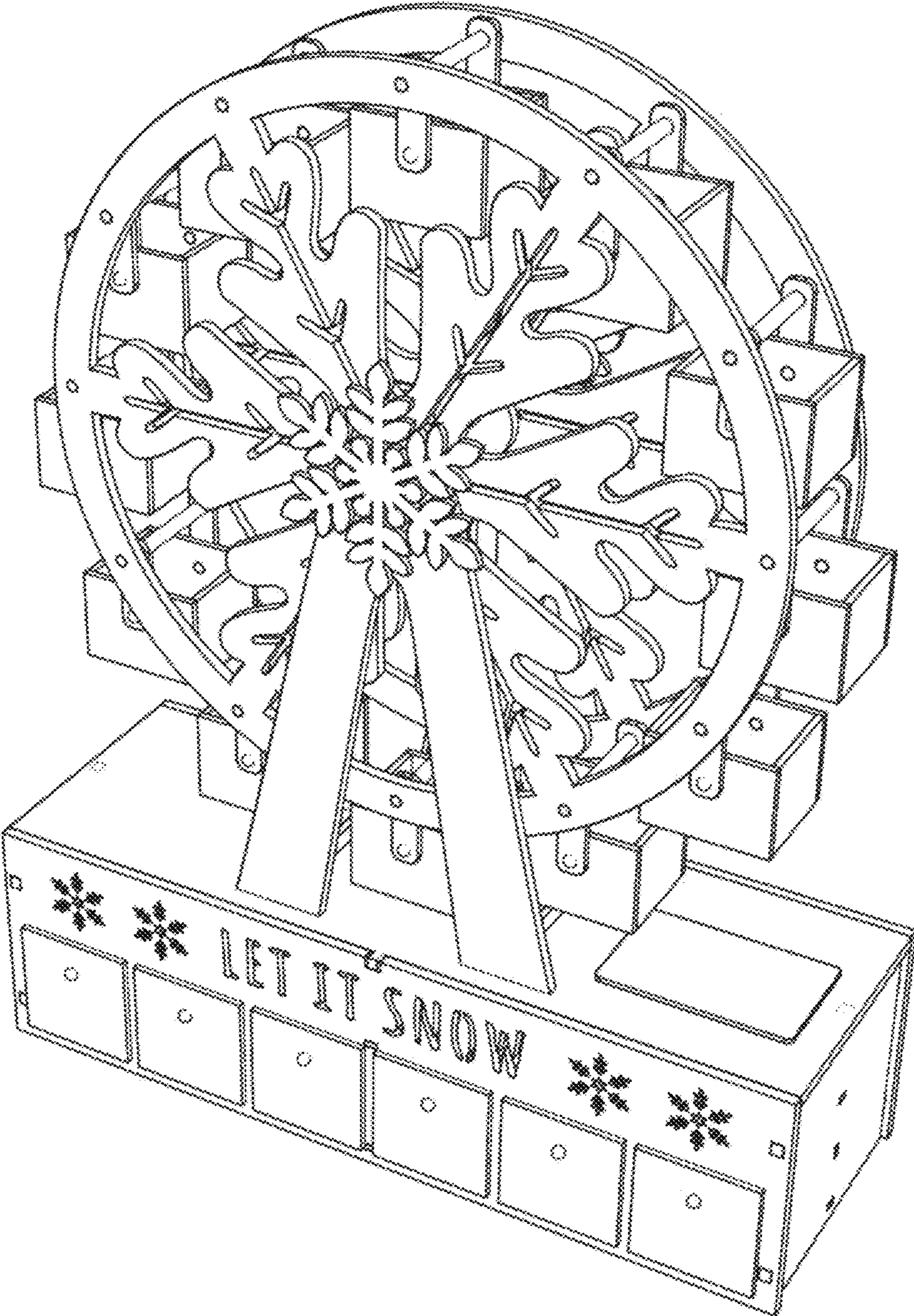


FIG 1

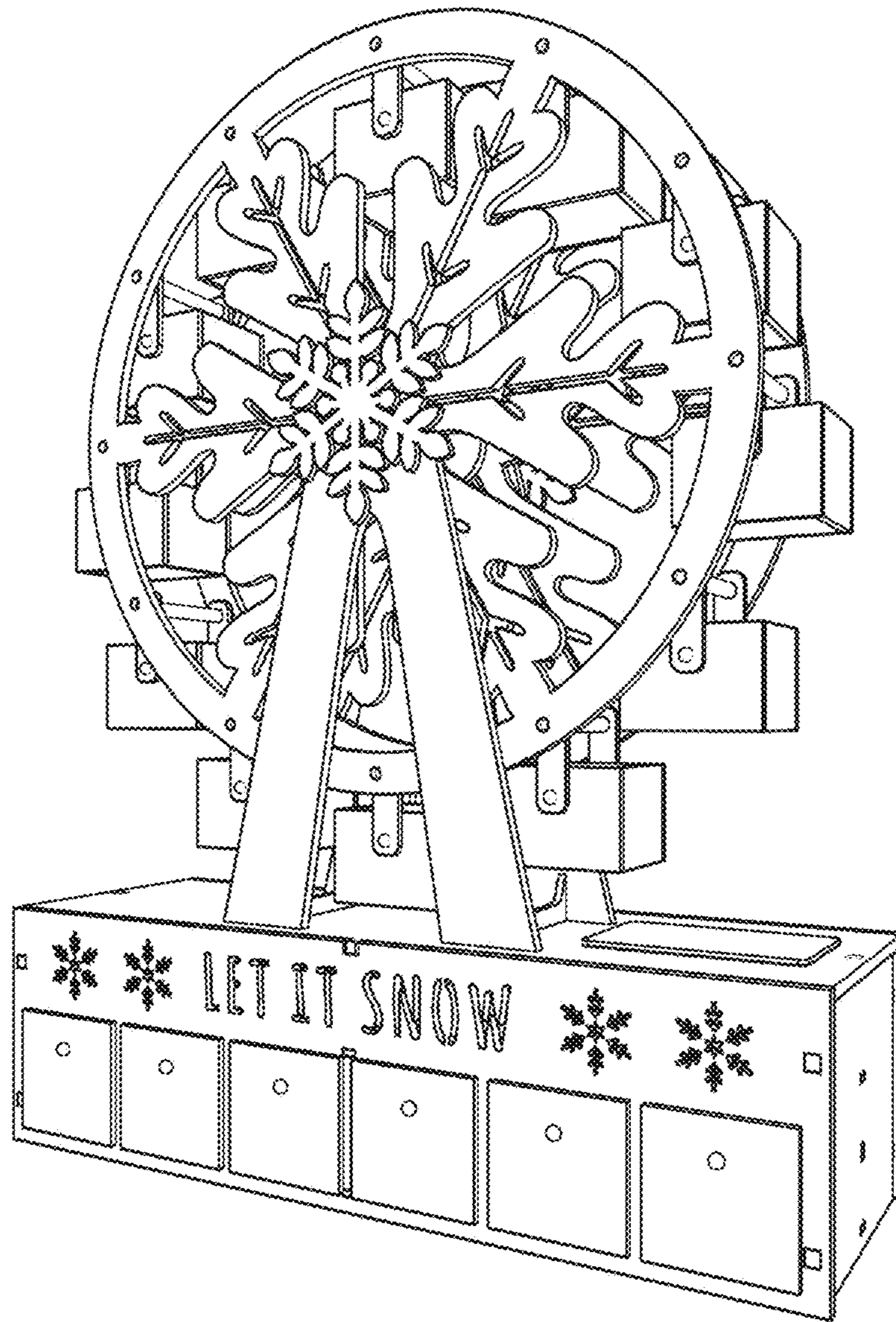


FIG 2



FIG 3



FIG 4

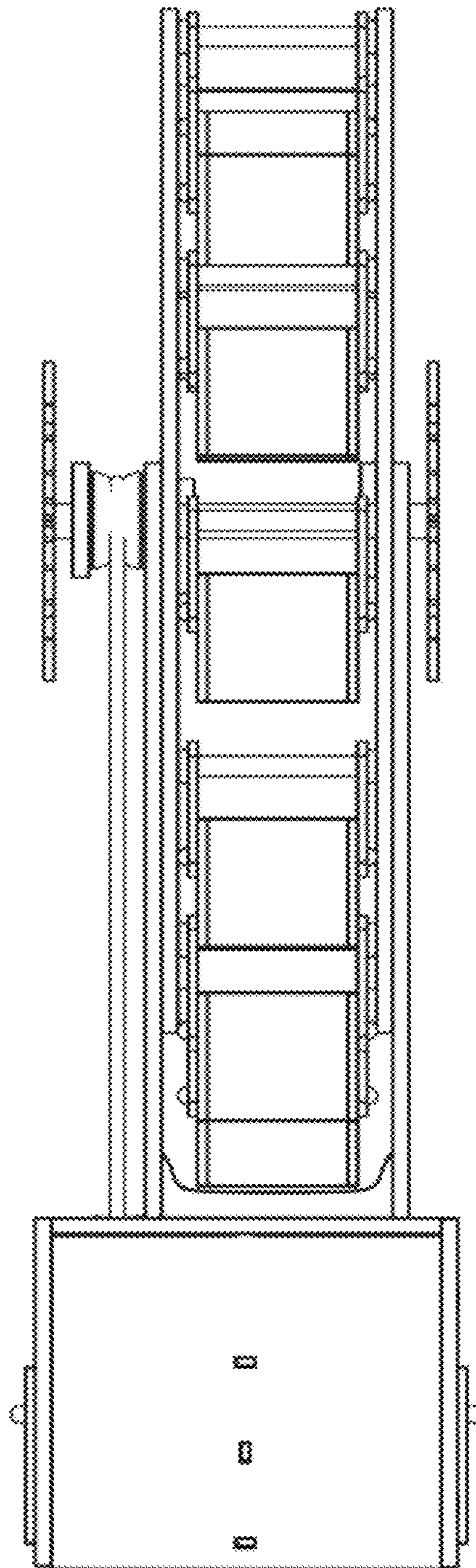


FIG 5

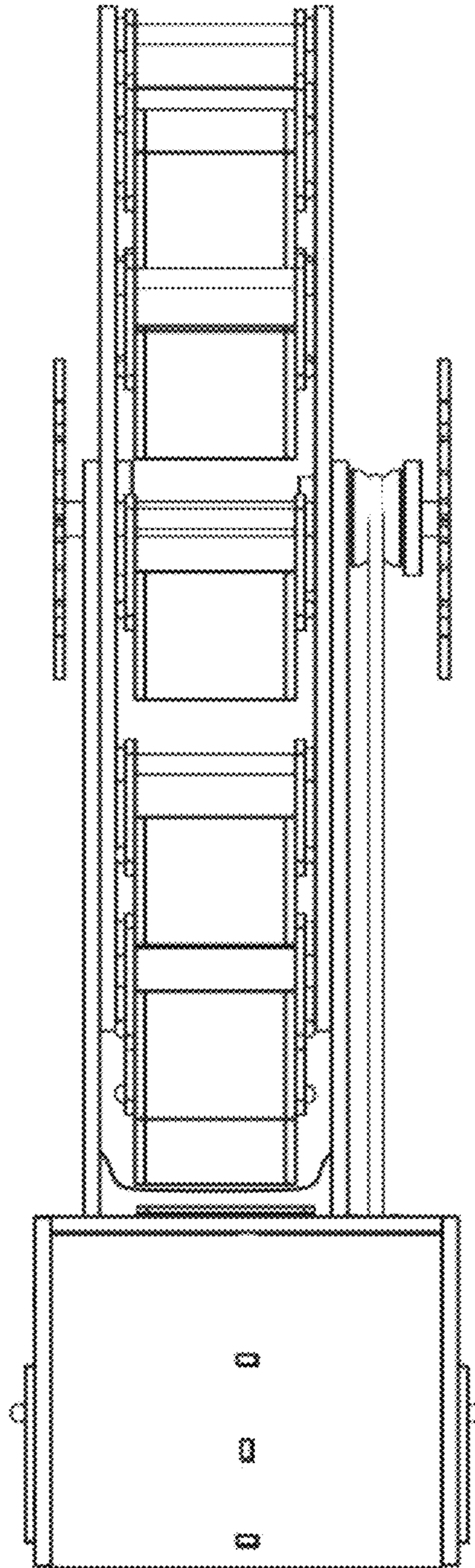


FIG 6

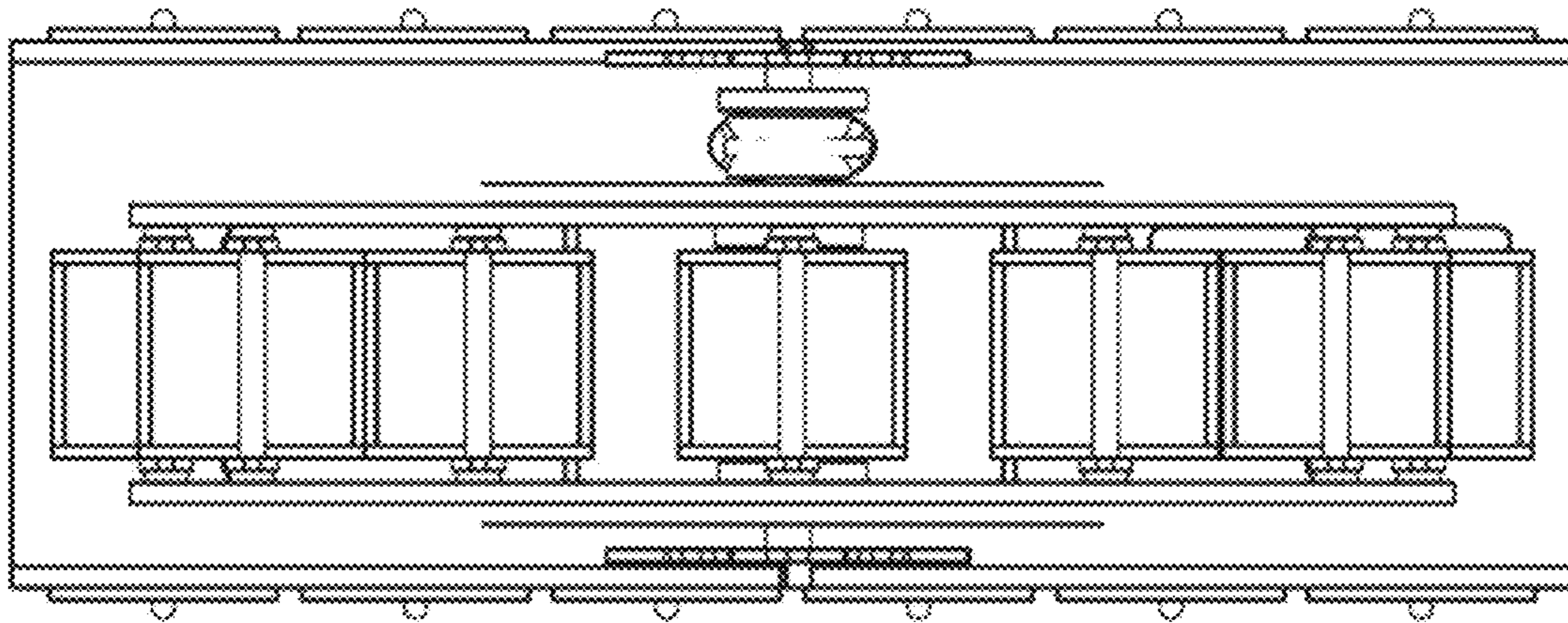


FIG 7

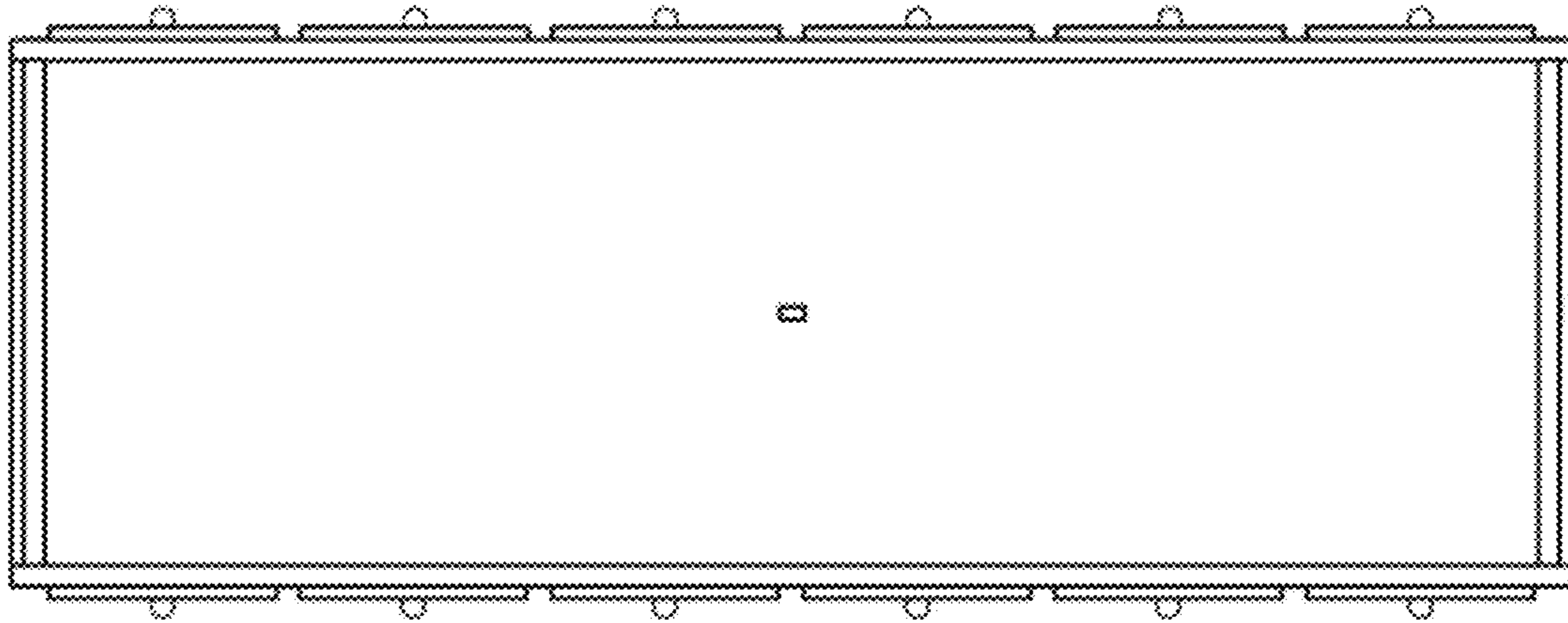


FIG 8