



US00D952034S

(12) **United States Design Patent**
Takahashi

(10) **Patent No.:** **US D952,034 S**
(45) **Date of Patent:** **** May 17, 2022**

(54) **PRINTER**

D892,924 S * 8/2020 Tobita D18/50
D897,421 S * 9/2020 Chida D18/19
D923,701 S * 6/2021 Lim D18/50

(71) Applicants: **CITIZEN WATCH CO., LTD.**,
Nishitokyo (JP); **CITIZEN SYSTEMS**
JAPAN CO., LTD., Nishitokyo (JP)

FOREIGN PATENT DOCUMENTS

(72) Inventor: **Akira Takahashi**, Nishitokyo (JP)

JP D1558274 S 8/2017
JP D1597816 S 2/2018
JP D1597817 S 2/2018

(73) Assignees: **Citizen Watch Co., Ltd.**; **Citizen**
Systems Japan Co., LTD.

(Continued)

(**) Term: **15 Years**

OTHER PUBLICATIONS

(21) Appl. No.: **29/710,125**

Photo PrinterCZ-01-Unveiled at the Societies Trade Svhow 2020-
Citizen Systems Japan Co.,LTD_p. 1—Date Feb. 4, 2020—Youtube.
com—29710125—https://www.youtube.com/watch?v=
qGyWWGRIOT4 (Year: 2020).*

(22) Filed: **Oct. 21, 2019**

(Continued)

(51) **LOC (13) Cl.** **14-02**

(52) **U.S. Cl.**

USPC **D18/53**

(58) **Field of Classification Search**

USPC D18/4.1, 4.4, 4.6, 37, 38, 39, 50, 53, 54,
D18/55, 59; D14/300, 301, 302, 307
CPC ... H04N 2201/0094; H04N 2201/0081; H04N
1/00278

See application file for complete search history.

Primary Examiner — Jennifer L Rempfer
Assistant Examiner — Danielle Nichole Bowly
(74) *Attorney, Agent, or Firm* — RatnerPrestia

(57)

CLAIM

The ornamental design for a printer, as shown and described.

DESCRIPTION

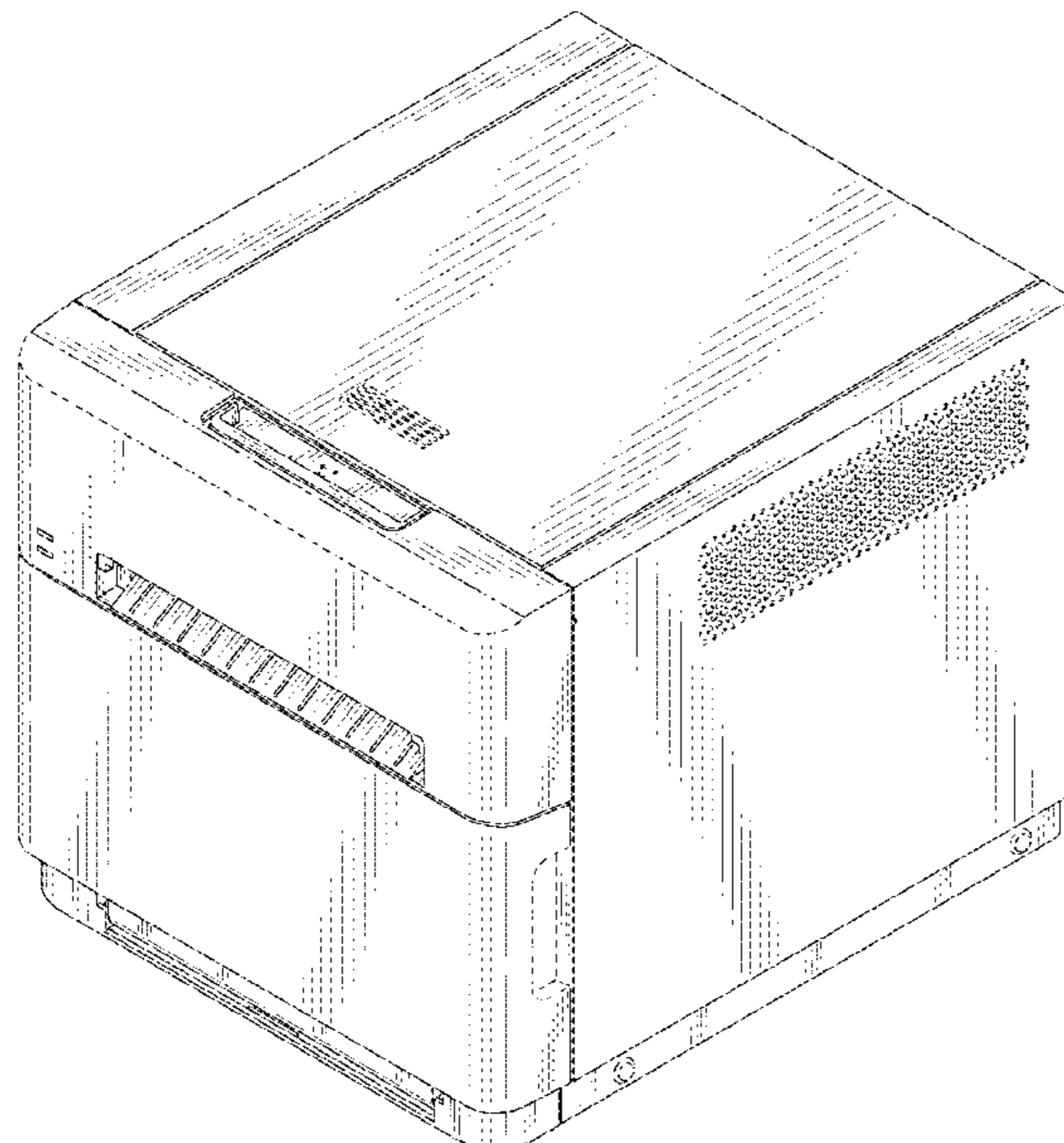
FIG. 1 is a perspective view of a printer showing my new design;
FIG. 2 is a front elevational view thereof;
FIG. 3 is a right side elevational view thereof; the left side elevational view is a mirror image of the right side elevational;
FIG. 4 is a top plan view thereof;
FIG. 5 is a rear elevational view thereof; and,
FIG. 6 is a bottom plan view thereof.
The dashed broken lines depict environmental subject matter, are for illustrative purpose only and form no part of the claimed design. The dash-dot-dash broken lines define bounds of the claim and form no part thereof.

(56) **References Cited**

U.S. PATENT DOCUMENTS

D474,805 S * 5/2003 Gotham D18/50
D565,645 S * 4/2008 Kawamura D18/39
D624,956 S * 10/2010 Park D18/39
D641,397 S * 7/2011 Kim D18/55
D694,318 S * 11/2013 Jihoon D18/50
D729,310 S * 5/2015 Nakagawa D18/50
D761,903 S * 7/2016 Matsumoto D18/50
D792,508 S * 7/2017 Nakagawa D18/50
D799,594 S * 10/2017 Kim D18/55
D809,592 S * 2/2018 Tashima D18/50
D818,527 S * 5/2018 Inada D18/50
D868,884 S * 12/2019 Inada D18/55

1 Claim, 5 Drawing Sheets



(56)

References Cited

FOREIGN PATENT DOCUMENTS

JP	D1619855 S	12/2018
JP	D1620239 S	12/2018
JP	D1620240 S	12/2018
JP	D1632893 S	6/2019
JP	D1633108 S	6/2019

OTHER PUBLICATIONS

Photo PrinterCZ-01-Download Catalogs _ Citizen Systems Japan Co.,LTD_p. 1—https://www.citizen-systems.co.jp/en/printer/download/document-catalog/PhotoPrinterCatalog_En_Web.pdf (Year: 2020).*
DNP “DP-QW410” printer, Internet Information: https://www.dnp.co.jp/news/detail/1192858_1587.html, Sep. 6, 2020, 8 pages.

* cited by examiner

FIG. 1

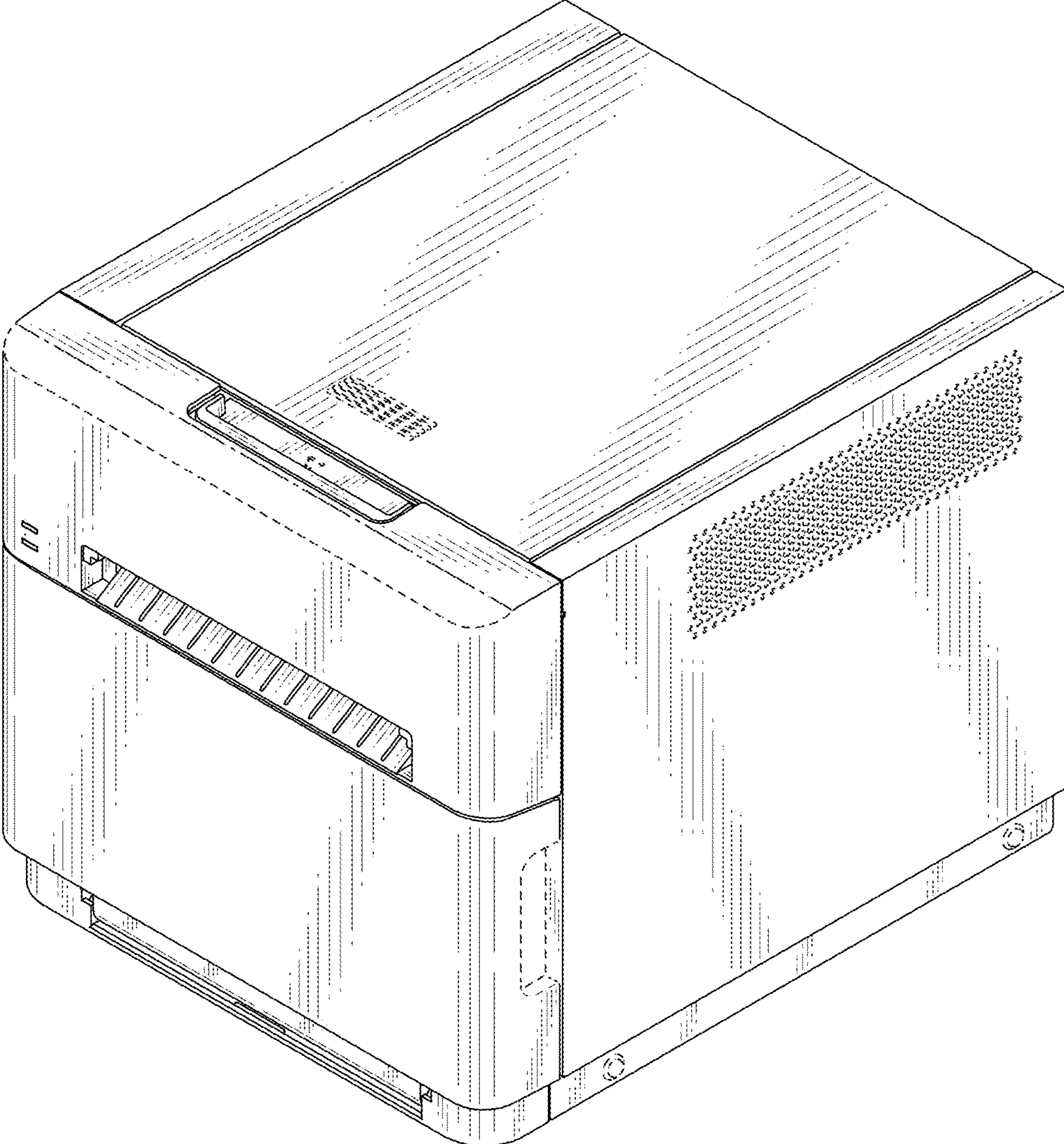


FIG. 2

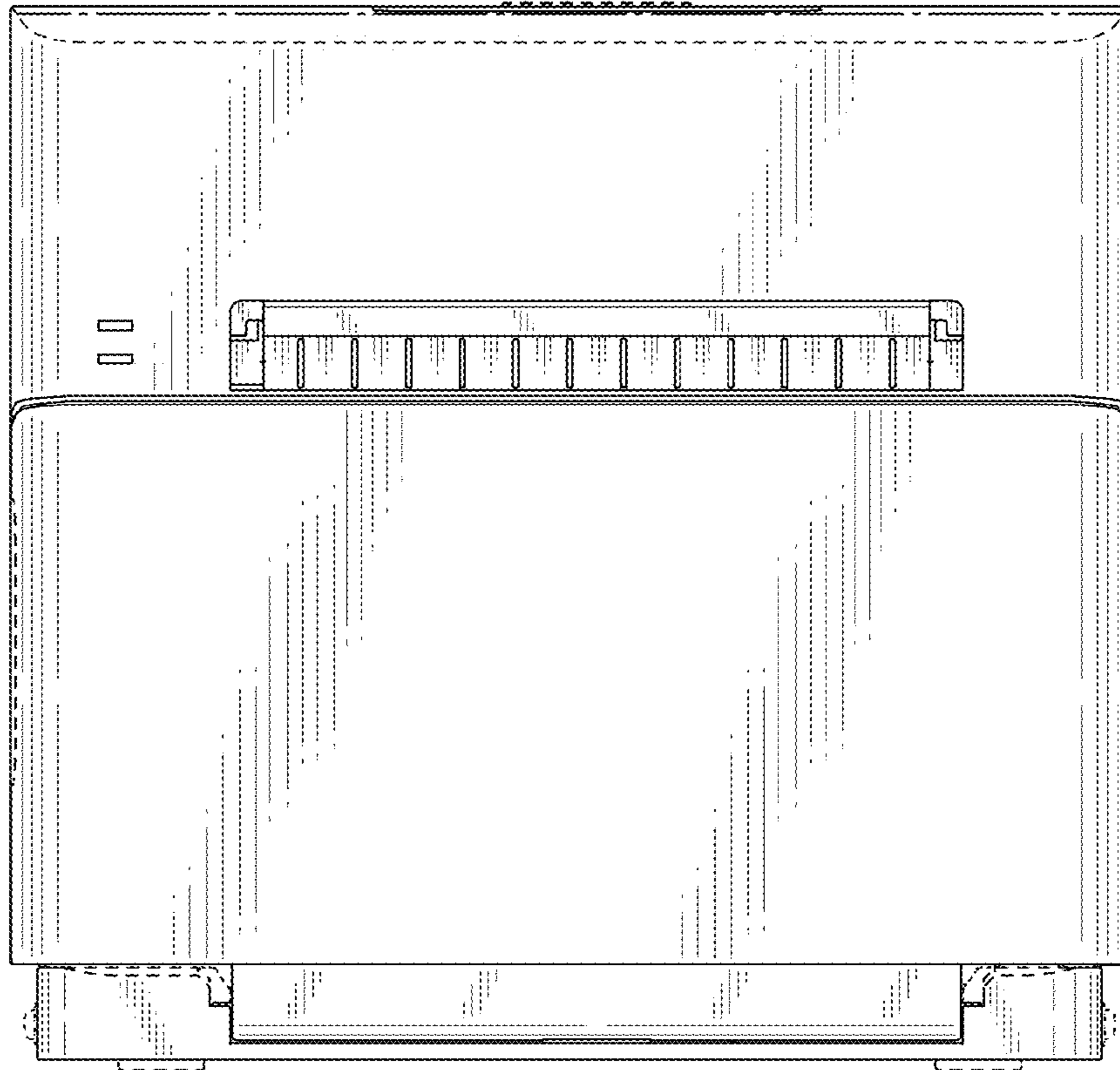


FIG. 3

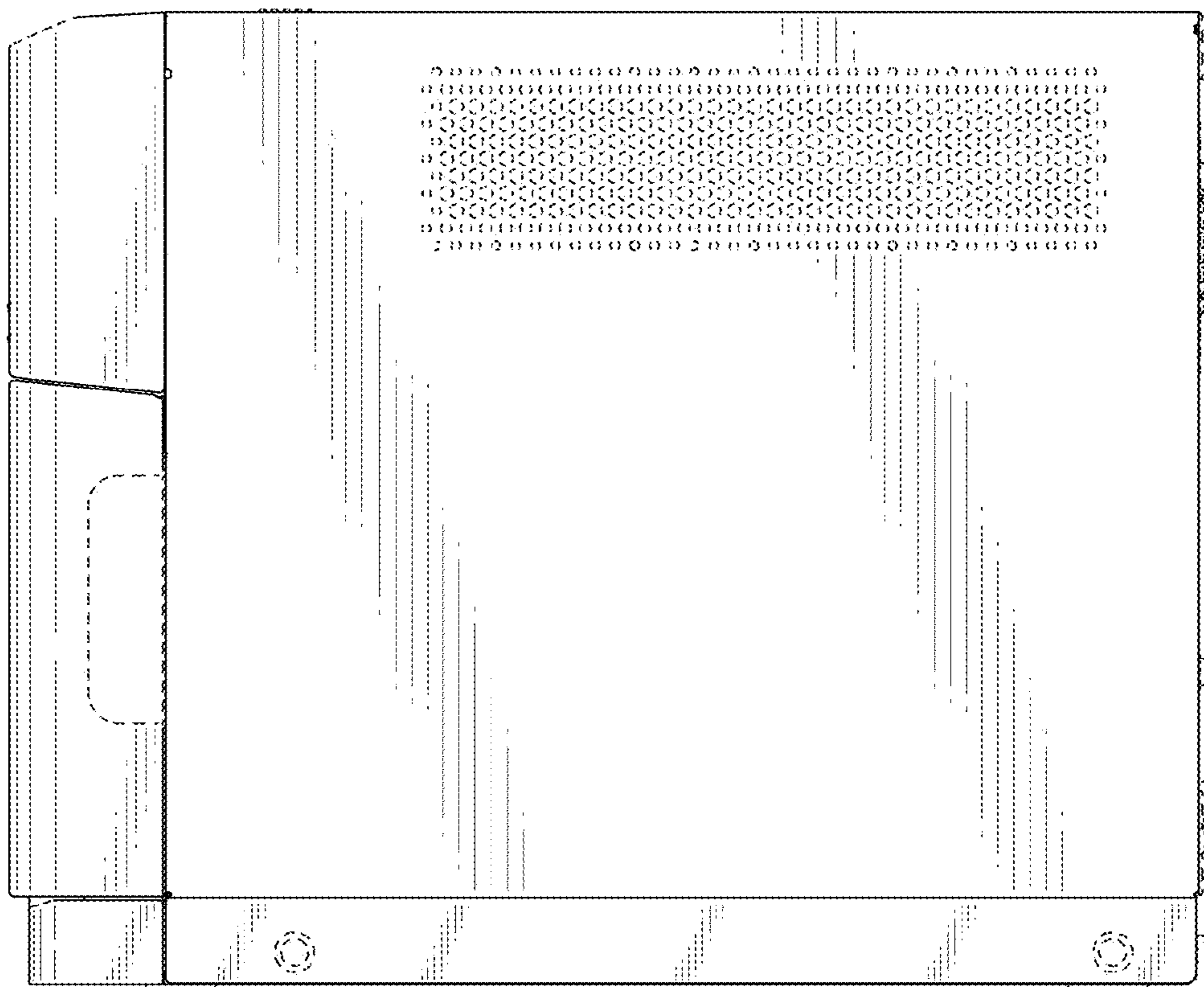


FIG. 4

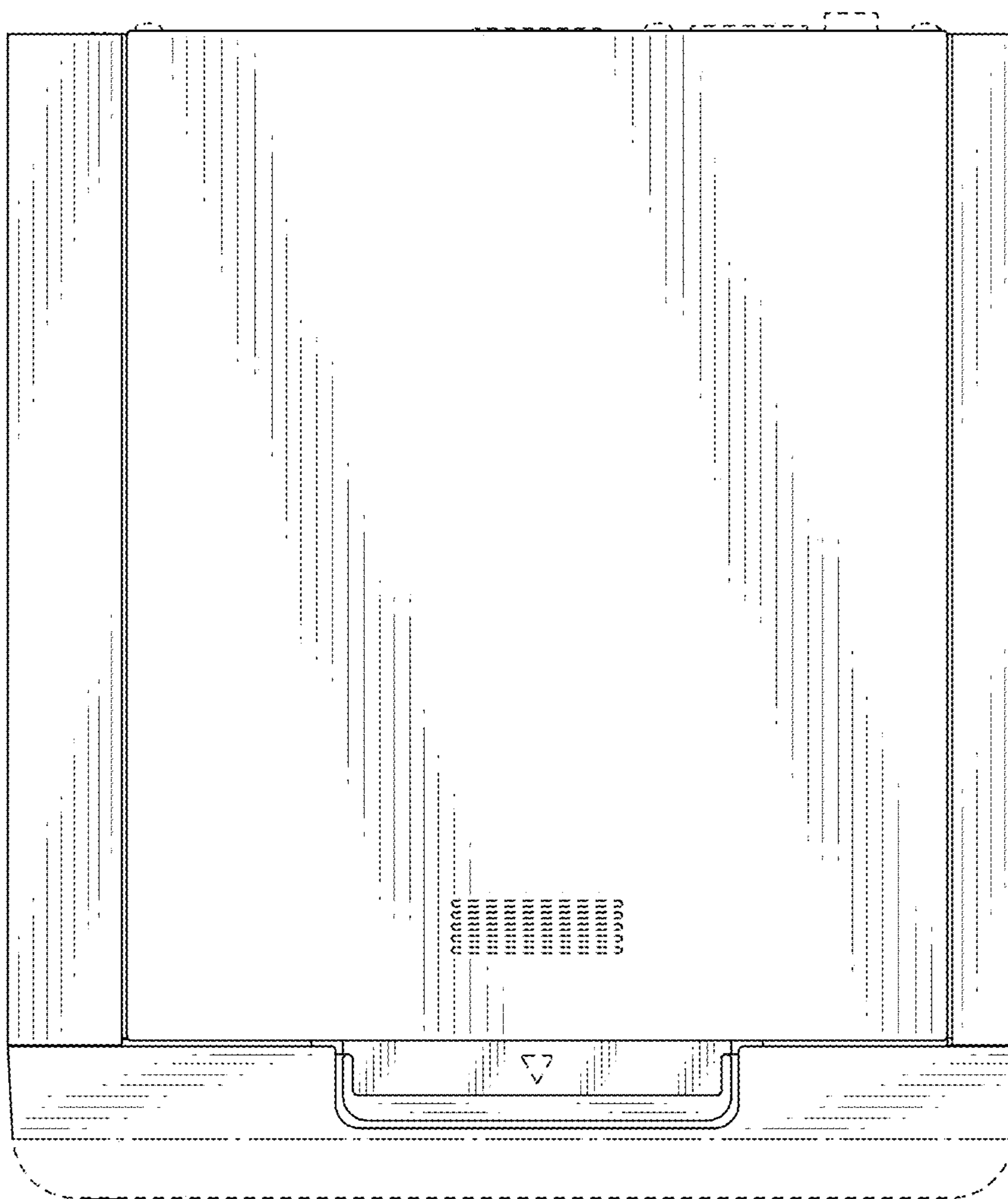


FIG. 5

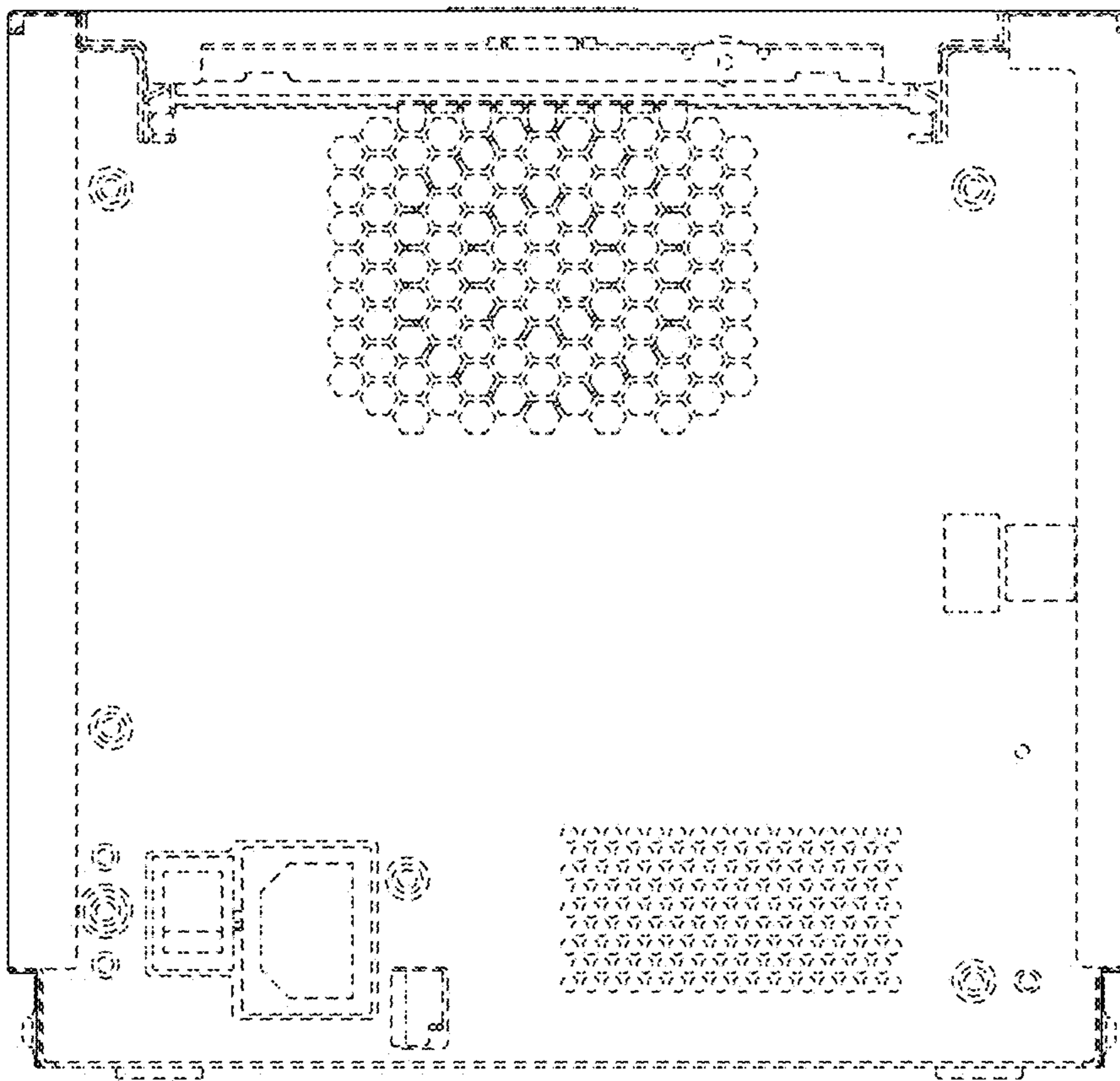


FIG. 6

