



US00D952031S

(12) **United States Design Patent** (10) **Patent No.:** **US D952,031 S**
Shiihara (45) **Date of Patent:** **** May 17, 2022**

(54) **COMBINATION COPIER, SCANNER, PRINTER**

FOREIGN PATENT DOCUMENTS

(71) Applicant: **FUJIFILM Corporation**, Tokyo (JP)

JP D 1307040 S 8/2007
JP D 1447814 S 7/2013

(72) Inventor: **Tsutomu Shiihara**, Tokyo (JP)

(Continued)

(73) Assignee: **FUJIFILM CORPORATION**, Tokyo (JP)

OTHER PUBLICATIONS

(**) Term: **15 Years**

Dell Xerox WorkCentre 6027 Printer—no date, p. 1—indiamart.com—<https://www.indiamart.com/proddetail/dell-xerox-workcentre-6027-printer-19221599273.html> (Year: 2021).*

(21) Appl. No.: **29/750,997**

Primary Examiner — Jennifer L Rempfer

(22) Filed: **Sep. 17, 2020**

Assistant Examiner — Danielle Nichole Bowly

(51) **LOC (13) Cl.** **14-02**

(74) *Attorney, Agent, or Firm* — McGinn IP Law Group, PLLC

(52) **U.S. Cl.**

USPC **D18/50**

(58) **Field of Classification Search**

USPC D18/4.1, 4.4, 4.6, 37, 38, 39, 50, 53, 54, D18/55, 59; D14/300, 301, 302, 307, D14/308, 314, 321, 365, 445, 446; D6/514, 672, 681.2, 691.9

CPC ... H04H 2201/0094; H04H 2201/0081; H04N 1/00278

See application file for complete search history.

(57) **CLAIM**

The ornamental design for combination copier, scanner, printer, as shown and described.

(56) **References Cited**

U.S. PATENT DOCUMENTS

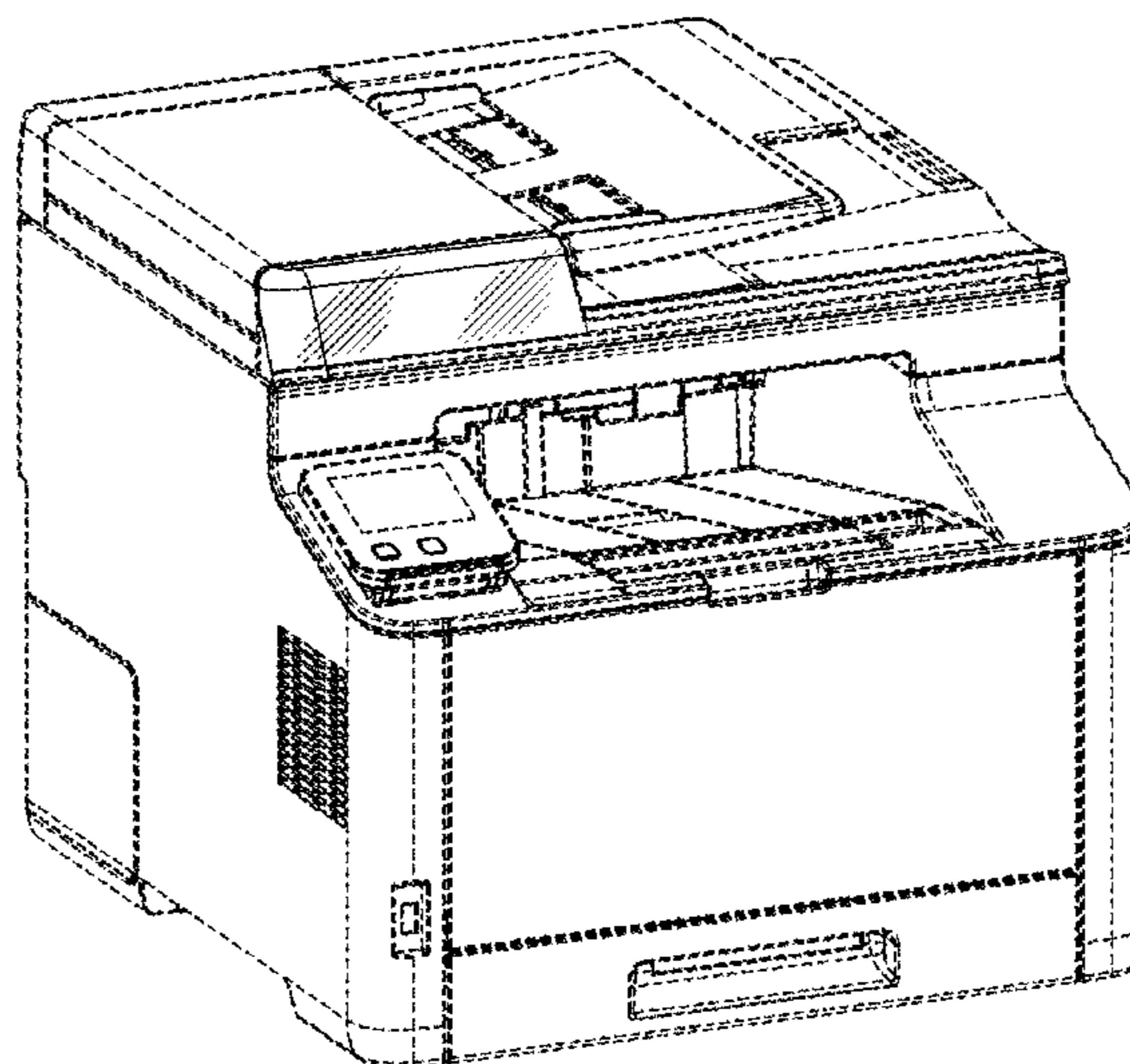
D697,550 S *	1/2014	Nanno	D18/50
D701,563 S *	3/2014	Kim	D18/53
D727,415 S *	4/2015	Takeda	D18/53
D794,707 S *	8/2017	Nanno	D18/50
D807,426 S *	1/2018	Brown	D18/50
D818,528 S *	5/2018	Tashima	D18/50
D819,124 S *	5/2018	Brown	D18/55
D820,907 S *	6/2018	Brown	D18/53
D821,488 S *	6/2018	Brown	D18/41
D821,489 S *	6/2018	Brown	D18/41
D821,490 S *	6/2018	Mita	D18/55
D822,103 S *	7/2018	Mita	D18/55
D826,321 S *	8/2018	Kim	D18/53
D832,343 S *	10/2018	Kim	D18/53

(Continued)

DESCRIPTION

FIG. 1 is a perspective view of a combination copier, scanner, printer showing my new design; FIG. 2 is a front view of the combination copier, scanner, printer; FIG. 3 is a rear view of the combination copier, scanner, printer; FIG. 4 is a right side view of the combination copier, scanner, printer; FIG. 5 is a left side view of the combination copier, scanner, printer; FIG. 6 is a plan view of the combination copier, scanner, printer; and, FIG. 7 is a bottom view of the combination copier, scanner, printer. The broken lines show portions of the design that form no part of the claim.

1 Claim, 7 Drawing Sheets



(56)

References Cited

U.S. PATENT DOCUMENTS

D837,292 S * 1/2019 Li D18/50
D841,731 S * 2/2019 Brown D18/47
D857,793 S * 8/2019 Brown D18/56
D868,884 S * 12/2019 Inada D18/55
D893,603 S * 8/2020 Pangburn D18/55
D907,701 S * 1/2021 Hayashi D18/50
11,122,173 B2 * 9/2021 An H04N 1/00559
2015/0281484 A1 * 10/2015 Hozono H04N 1/00551
358/471
2018/0101114 A1 * 4/2018 Takeuchi G03G 21/1633
2019/0268485 A1 * 8/2019 Sakashita G06K 9/00771
2020/0092436 A1 * 3/2020 Lagumbay H04N 1/444
2020/0145556 A1 * 5/2020 Yoshimura H04N 1/0048

FOREIGN PATENT DOCUMENTS

JP D 1447816 S 7/2013
JP D 1443834 S 10/2013
JP D1568038 * 9/2016

* cited by examiner

FIG. 1

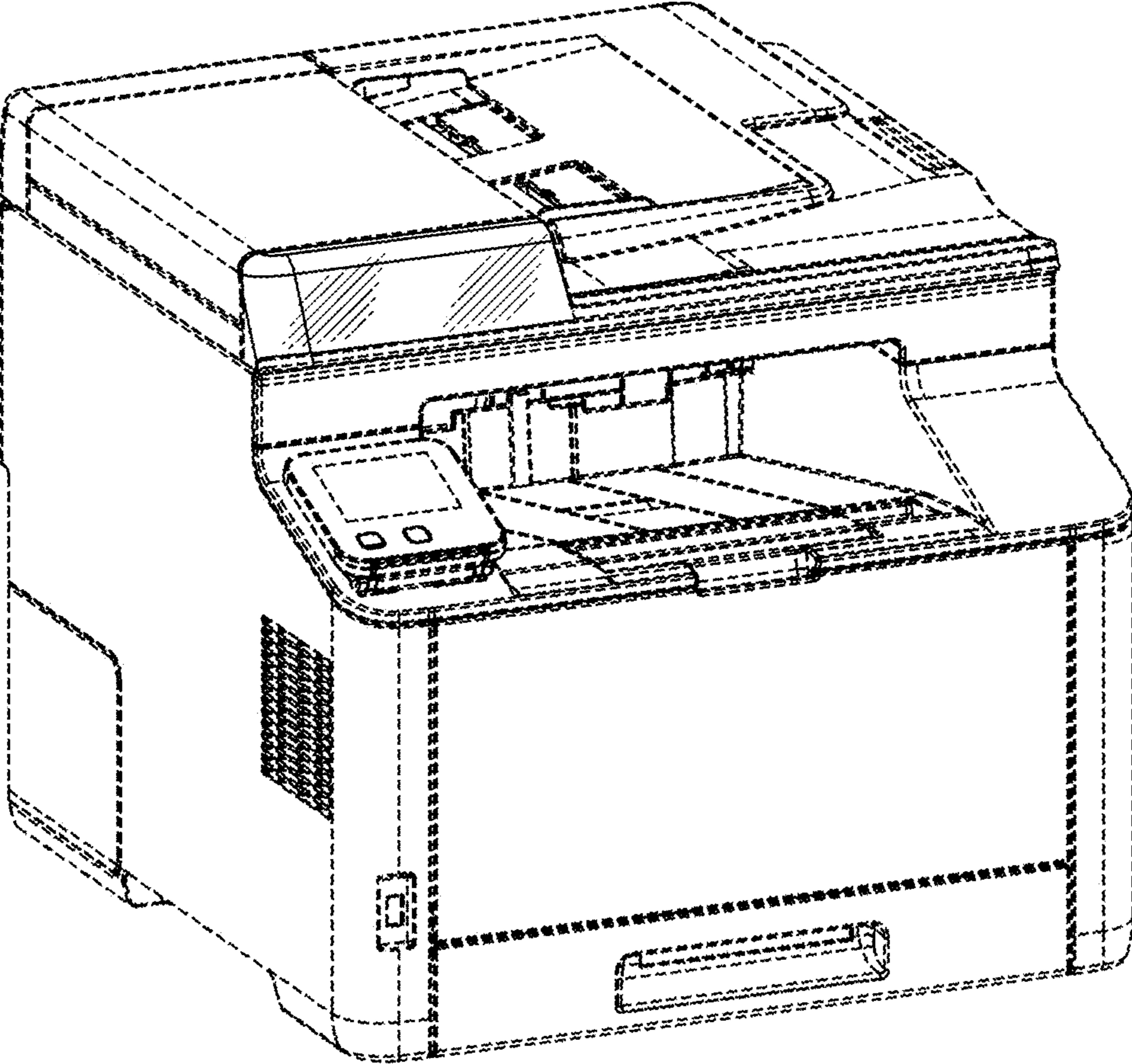


FIG. 2

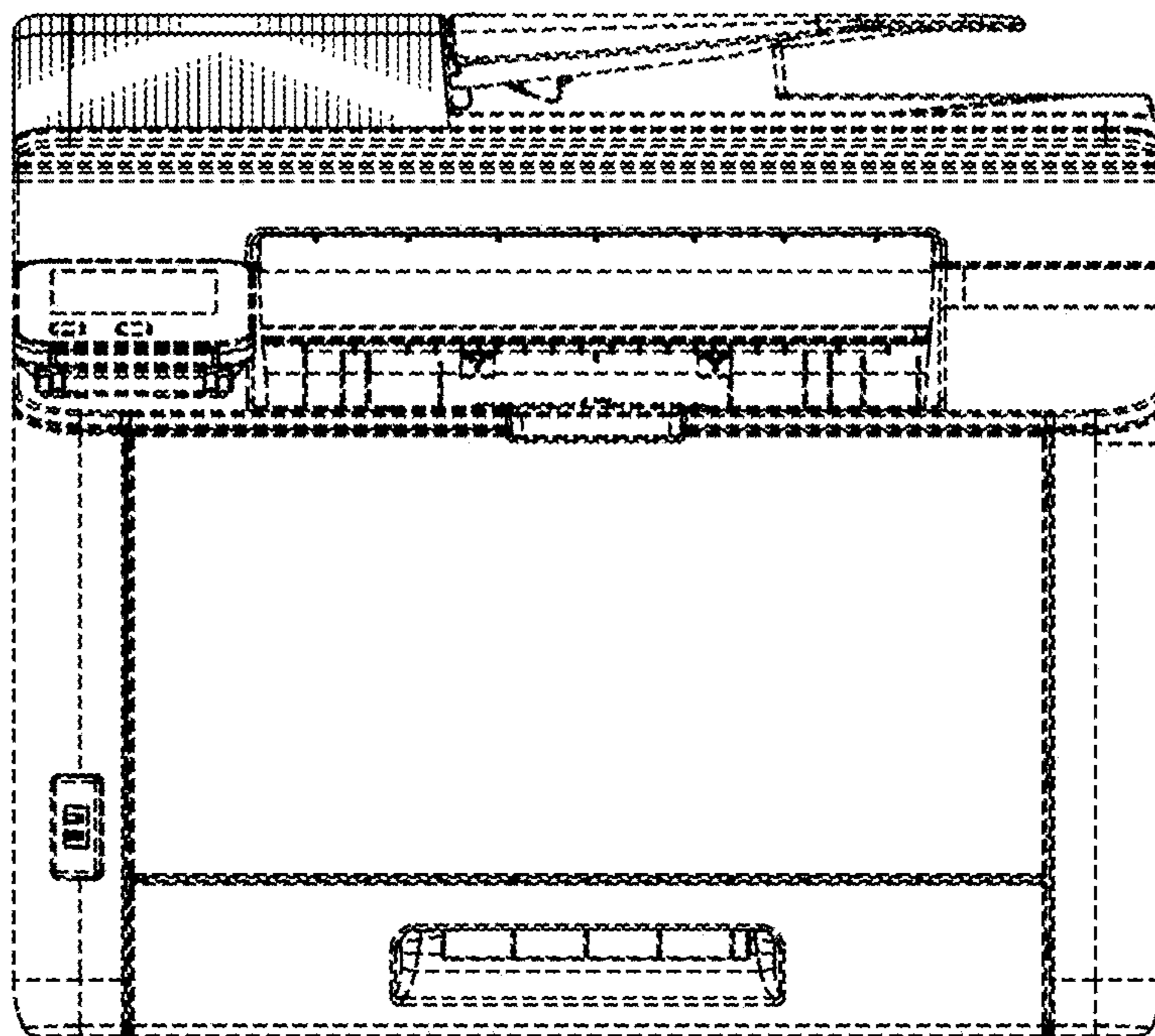


FIG. 3

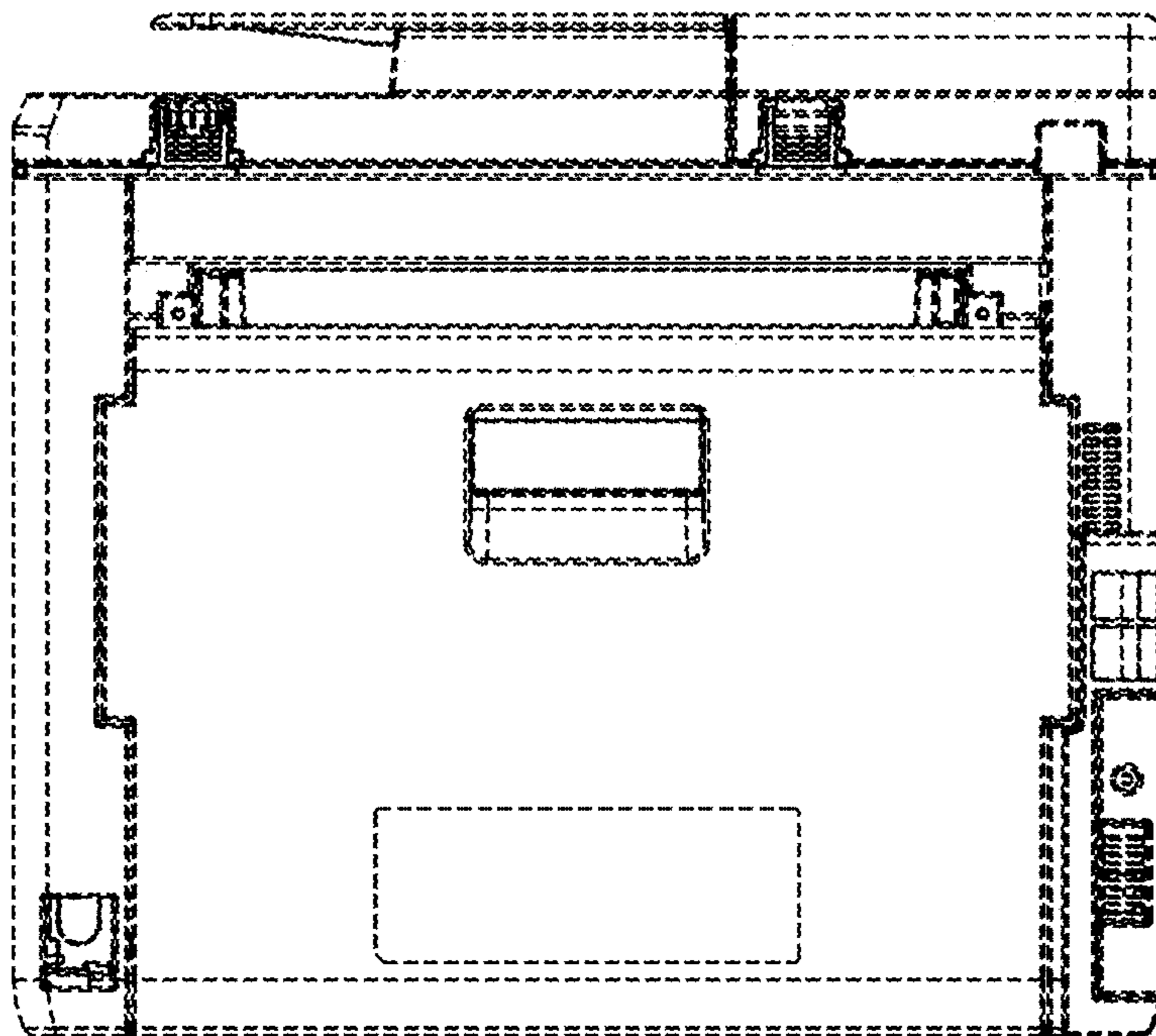


FIG. 4

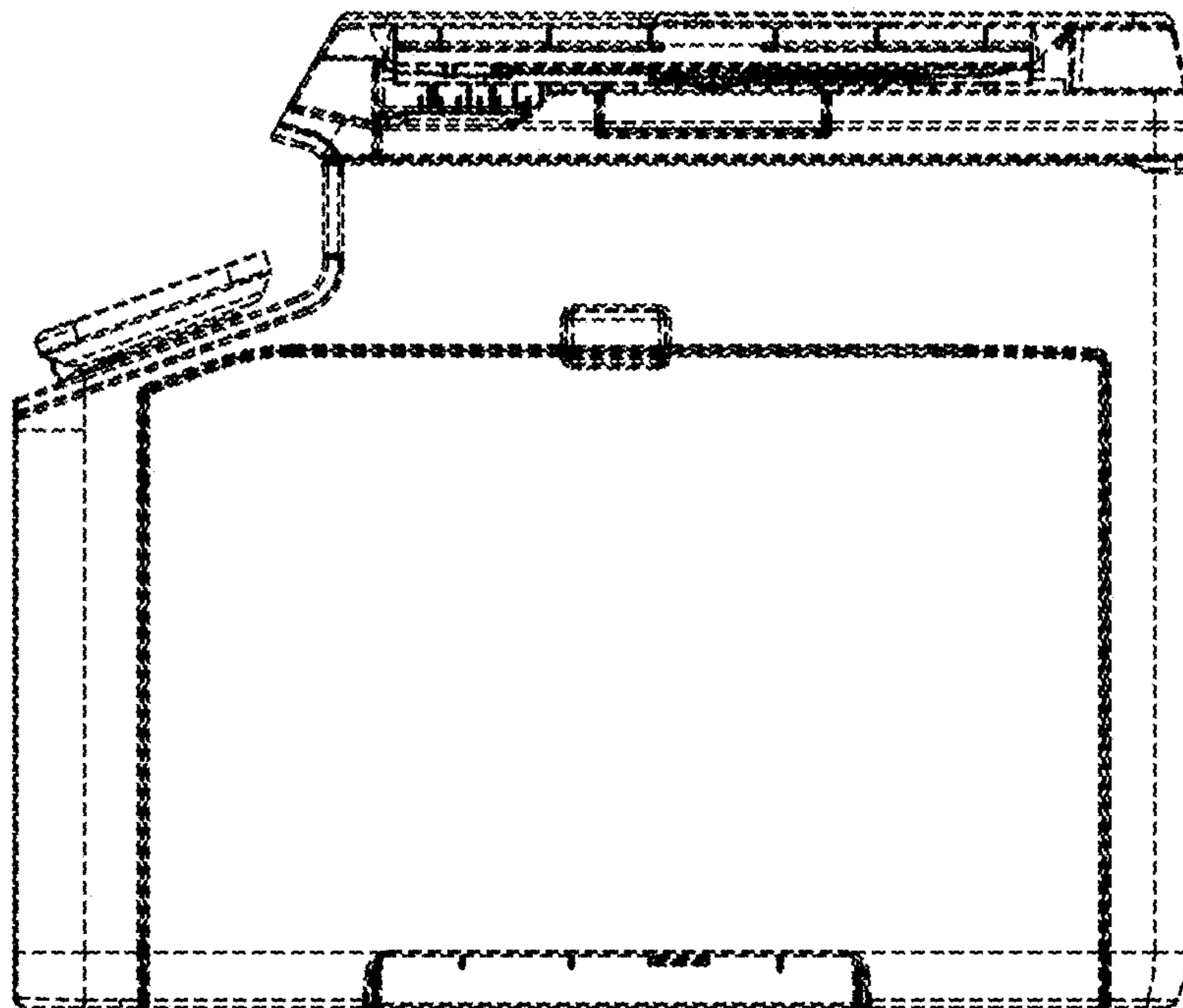


FIG. 5

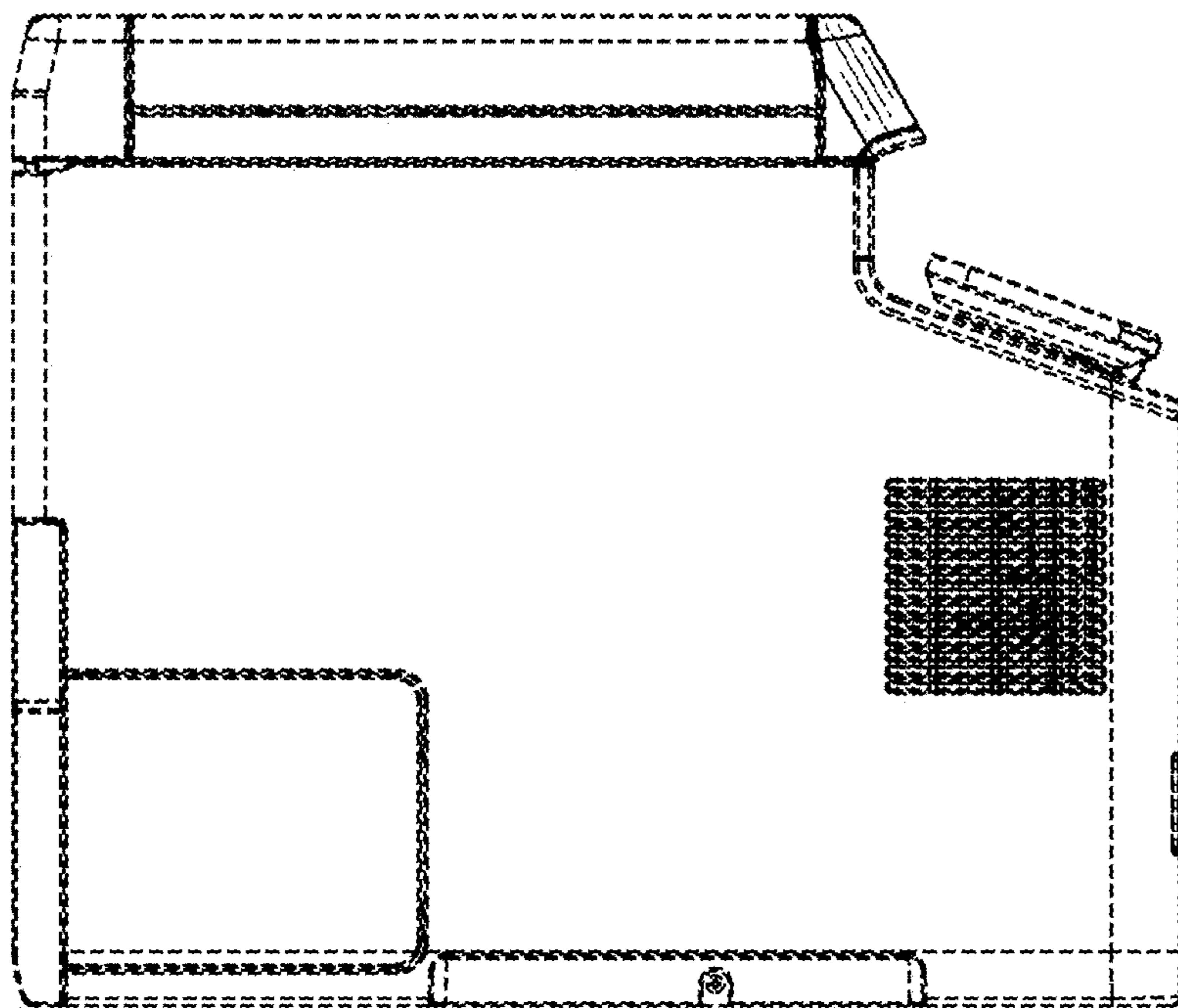


FIG. 6

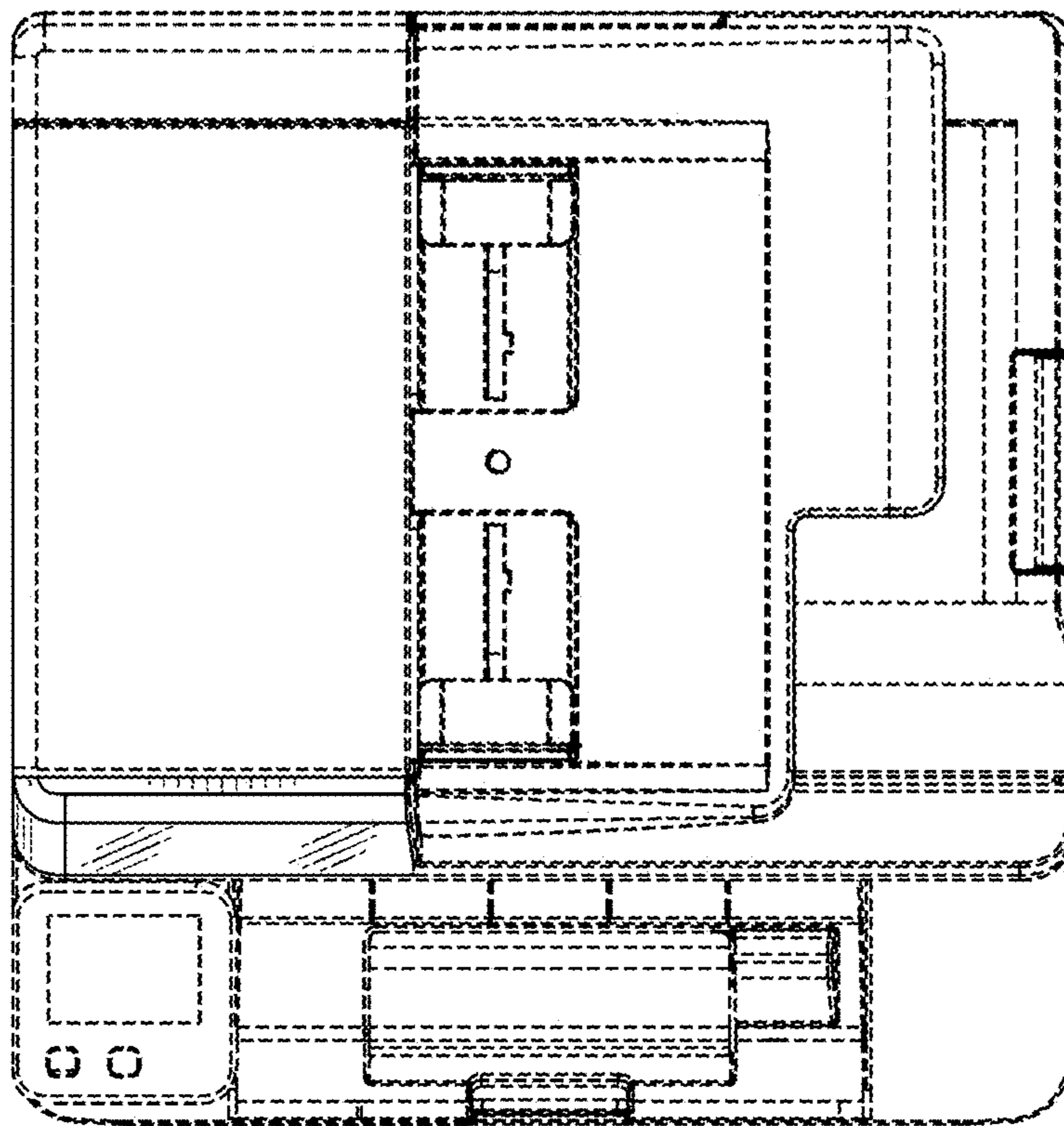


FIG. 7

