



US00D952030S

(12) **United States Design Patent** (10) **Patent No.:** **US D952,030 S**
Carpenter et al. (45) **Date of Patent:** **** May 17, 2022**

(54) **TONER CARTRIDGE**

(56) **References Cited**

(71) Applicant: **LEXMARK INTERNATIONAL, INC.**, Lexington, KY (US)
(72) Inventors: **Brian Scott Carpenter**, Lexington, KY (US); **Gregory Alan Cavill**, Winchester, KY (US); **James Richard Leemhuis**, Lexington, KY (US); **Kyle Bradley Martin**, Lexington, KY (US); **Jay Scott Siekmann**, Nicholasville, KY (US); **Jeffrey Lawrence Tonges**, Versailles, KY (US); **Randal Scott Williamson**, Georgetown, KY (US); **Trey Dustin Gilliam**, Lexington, KY (US)

U.S. PATENT DOCUMENTS

D458,299 S * 6/2002 Koizumi D18/40
7,139,510 B2 11/2006 Carter et al.
7,305,204 B2 12/2007 Carter et al.
D608,388 S * 1/2010 Domae D18/56
D645,503 S 9/2011 Carter, II et al.
D693,400 S 11/2013 Boettcher et al.

(Continued)

FOREIGN PATENT DOCUMENTS

IN 247844-0001 * 5/2013

OTHER PUBLICATIONS

Lexmark B232000, published Aug. 13, 2020 [online], [retrieved Jun. 18, 2021], Available from Internet, URL: <https://www.cartridgesave.co.uk/B232000.html>.*

(Continued)

Primary Examiner — Kevin K Rudzinski

(74) *Attorney, Agent, or Firm* — Justin M. Tromp

(73) Assignee: **Lexmark International, Inc.**, Lexington, KY (US)

(**) Term: **15 Years**

(21) Appl. No.: **29/710,459**

(22) Filed: **Oct. 23, 2019**

(51) **LOC (13) Cl.** **16-03**

(52) **U.S. Cl.**
USPC **D18/43**

(58) **Field of Classification Search**
USPC D15/122, 135–138, 141, 66, 73, 76–78;
D18/53, 59, 50, 14, 19, 54–57, 36–45,
D18/34.4, 34.5, 34.6, 18, 51, 12, 46–49;
D14/301–303, 307, 345, 420–425, 462;
D6/691.4, 675, 708; D13/107, 108
CPC B41J 2/14; B41J 1/54; B41J 3/4073; B41J
3/4078; B41F 17/22; B41F 17/003; B41F
17/38; B28B 1/001; G03G 15/08; G03G
15/0891; G03G 15/0875; G03G
2215/0827; G03G 15/0855; G03G
21/1842

See application file for complete search history.

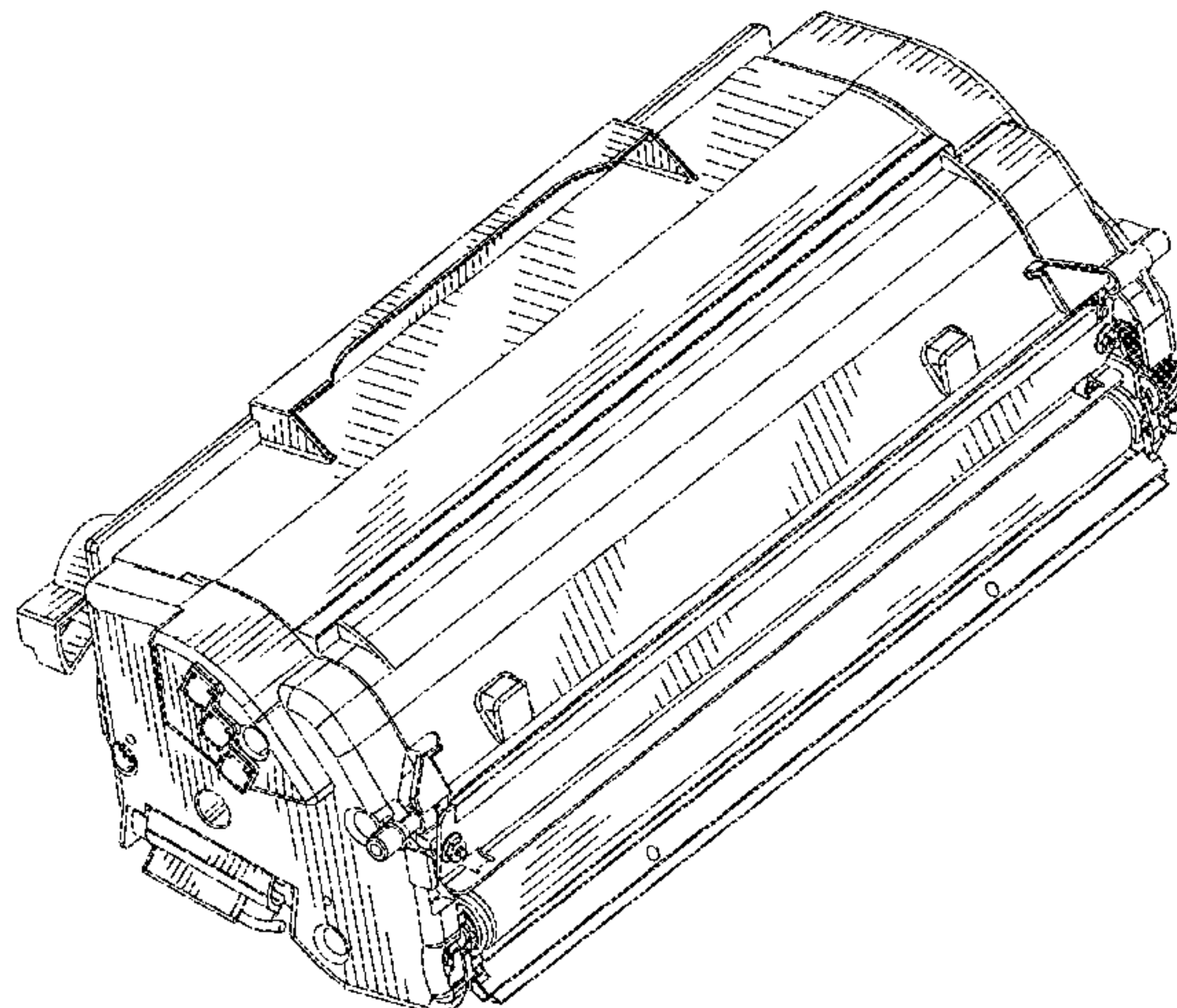
(57) **CLAIM**

The ornamental design for a toner cartridge, as shown and described.

DESCRIPTION

FIG. 1 is a left, front, top perspective view of a toner cartridge showing the new design;
FIG. 2 is a right, rear, top perspective view thereof;
FIG. 3 is a right, front, bottom perspective view thereof;
FIG. 4 is a left, rear, bottom perspective view thereof;
FIG. 5 is a front elevation view thereof;
FIG. 6 is a rear elevation view thereof;
FIG. 7 is a left elevation view thereof;
FIG. 8 is a right elevation view thereof;
FIG. 9 is a top plan view thereof; and,
FIG. 10 is a bottom plan view thereof.
The features shown in broken lines depict portions of the toner cartridge that form no part of the claimed design.

1 Claim, 10 Drawing Sheets



(56)

References Cited

U.S. PATENT DOCUMENTS

D695,338 S 12/2013 Boettcher et al.
 D695,821 S * 12/2013 Carter, II D18/43
 9,280,084 B1 * 3/2016 Carpenter G03G 15/0865
 9,360,797 B1 * 6/2016 Bayubay G03G 15/0889
 9,551,974 B1 * 1/2017 Martin G03G 21/1867
 9,563,169 B1 * 2/2017 Carpenter G03G 21/1867
 9,608,634 B1 * 3/2017 Denton B41J 2/17546
 9,608,828 B1 * 3/2017 Denton G09C 1/00
 10,012,926 B2 * 7/2018 Makie G03G 15/0808
 D852,880 S * 7/2019 Anderson, Jr. D18/43
 D854,078 S 7/2019 Anderson, Jr. et al.
 10,474,060 B1 * 11/2019 Leemhuis G03G 15/0853
 10,527,967 B1 * 1/2020 Williamson G03G 21/1892
 10,649,389 B1 * 5/2020 Carpenter G03G 21/1867
 10,649,399 B1 * 5/2020 Leemhuis G03G 15/80
 10,698,363 B1 * 6/2020 Carpenter G03G 15/80
 10,725,424 B1 * 7/2020 Carpenter G03G 21/1671
 10,761,476 B1 * 9/2020 Leemhuis G03G 15/80
 10,809,661 B1 * 10/2020 Carpenter G03G 21/1647
 2013/0170862 A1 * 7/2013 Leemhuis G03G 15/0886
 399/258
 2013/0170863 A1 * 7/2013 Leemhuis G03G 15/0886
 399/258
 2013/0170865 A1 * 7/2013 Carter G03G 21/1676
 399/258
 2013/0170866 A1 * 7/2013 Carter G03G 21/1814
 399/258
 2013/0170868 A1 * 7/2013 Acosta G03G 21/1821
 399/258
 2013/0170873 A1 * 7/2013 Carter, II G03G 15/0865
 399/263
 2013/0170874 A1 * 7/2013 Carter, II G03G 15/0891
 399/263

2013/0266344 A1 * 10/2013 Leemhuis G03G 15/0889
 399/256
 2014/0072348 A1 * 3/2014 Leemhuis G03G 15/0865
 399/263
 2014/0348544 A1 * 11/2014 Morita G03G 15/0875
 399/258
 2015/0185663 A1 * 7/2015 Nakamura G03G 15/0875
 399/262
 2016/0062271 A1 * 3/2016 Leemhuis G03G 15/0886
 399/262
 2016/0223948 A1 * 8/2016 Fukamachi G03G 15/0896
 2017/0060080 A1 * 3/2017 Eto G03G 21/1676
 2017/0075255 A1 * 3/2017 Huang G03G 15/0865
 2017/0090348 A1 * 3/2017 Eto G03G 15/0889
 2017/0343950 A1 * 11/2017 Cavill G03G 15/751
 2018/0164713 A1 * 6/2018 Mimura G03G 15/0865
 2018/0181027 A1 * 6/2018 Mimura G03G 21/1647
 2019/0369174 A1 * 12/2019 Corbett G01R 33/1276
 2020/0133188 A1 * 4/2020 Amann G03G 21/1647
 2020/0142348 A1 * 5/2020 Amann G03G 21/1652
 2020/0218174 A1 * 7/2020 Johnson, Jr. G03G 21/1896
 2020/0218175 A1 * 7/2020 Johnson, Jr. G03G 15/0891
 2020/0356025 A1 * 11/2020 Carpenter G03G 21/1676
 2021/0157264 A1 * 5/2021 Carpenter G03G 21/1647

OTHER PUBLICATIONS

U.S. Appl. No. 29/719,259, filed Jan. 2, 2020 (Carpenter et al.).
 U.S. Appl. No. 29/719,266, filed Jan. 2, 2020 (Carpenter et al.).
 U.S. Appl. No. 29/719,275, filed Jan. 2, 2020 (Siekman et al.).
 U.S. Appl. No. 29/719,282, filed Jan. 2, 2020 (Carpenter et al.).
 U.S. Appl. No. 29/687,971, filed Apr. 17, 2019 (Amann et al.).
 U.S. Appl. No. 29/687,975, filed Apr. 17, 2019 (Amann et al.).
 U.S. Appl. No. 29/687,978, filed Apr. 17, 2019 (Amann et al.).
 U.S. Appl. No. 29/687,982, filed Apr. 17, 2019 (Amann et al.).

* cited by examiner

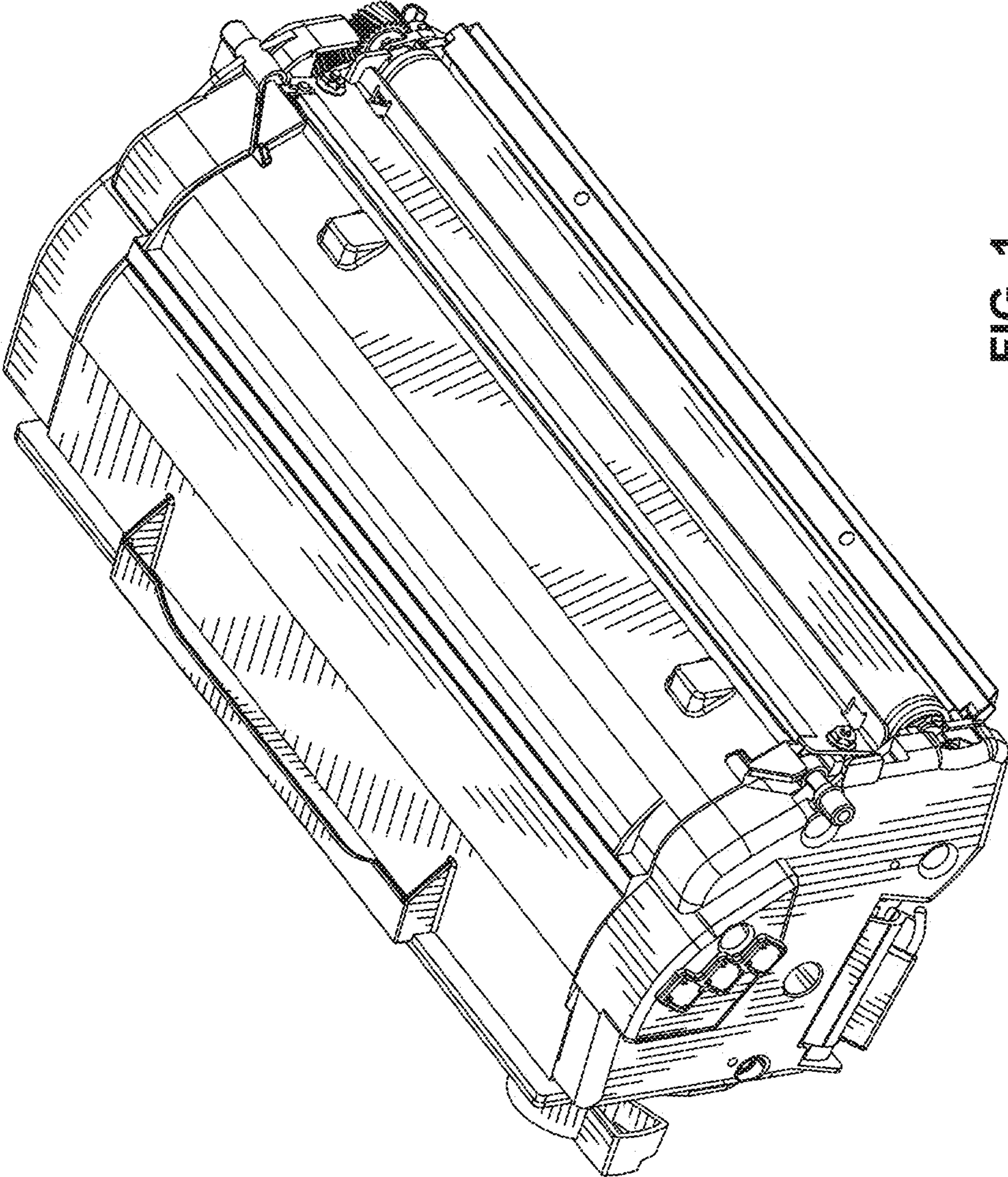


FIG. 1

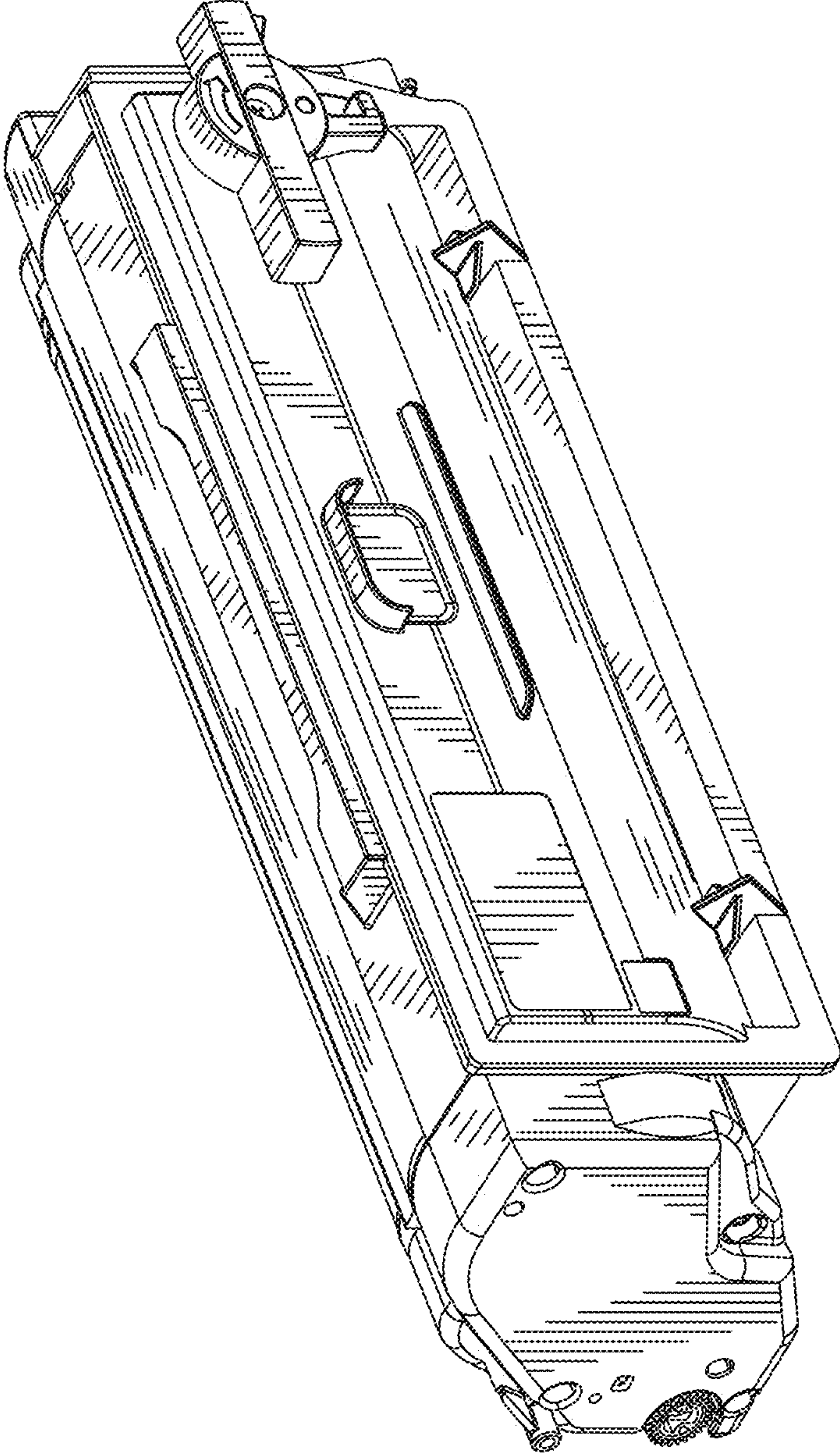


FIG. 2

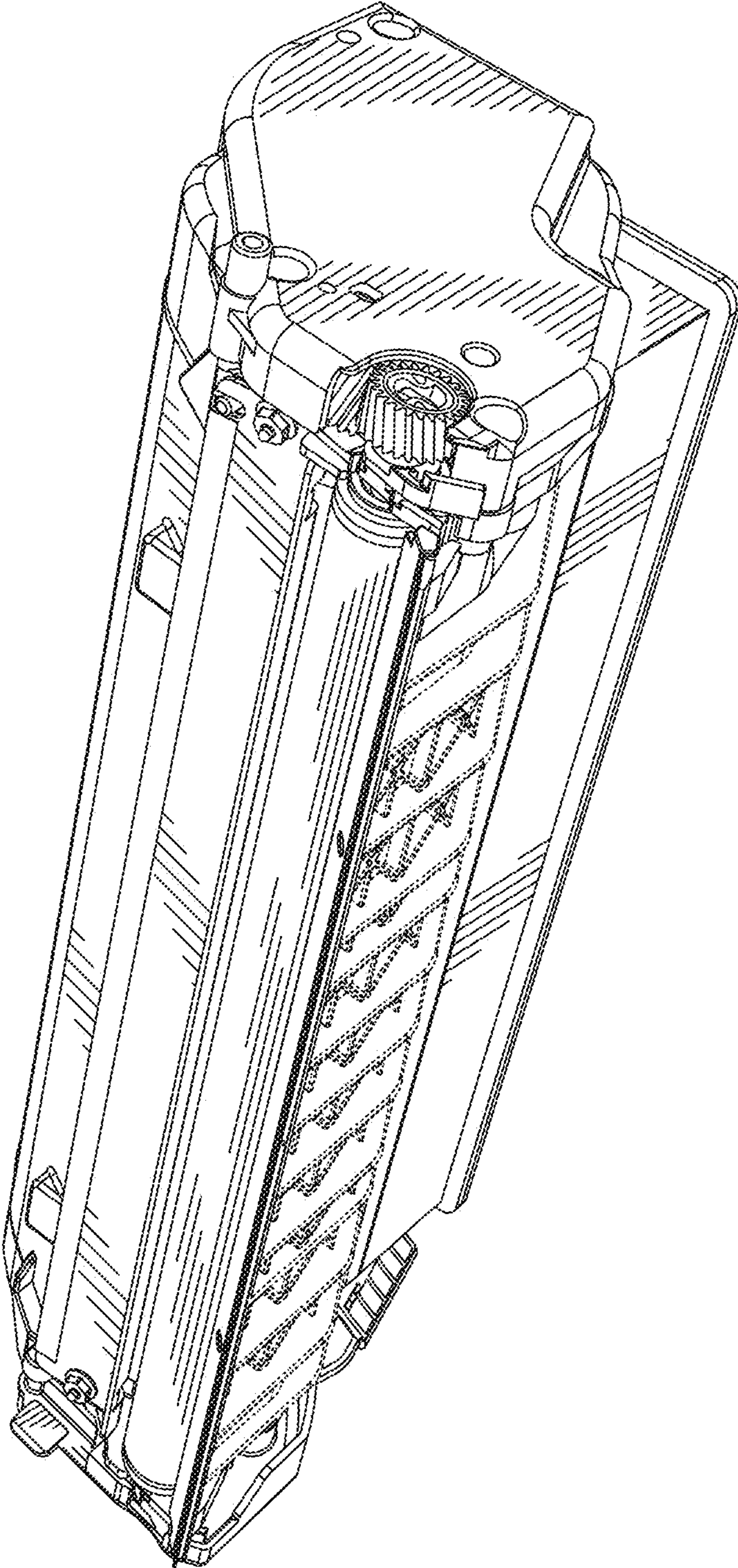


FIG. 3

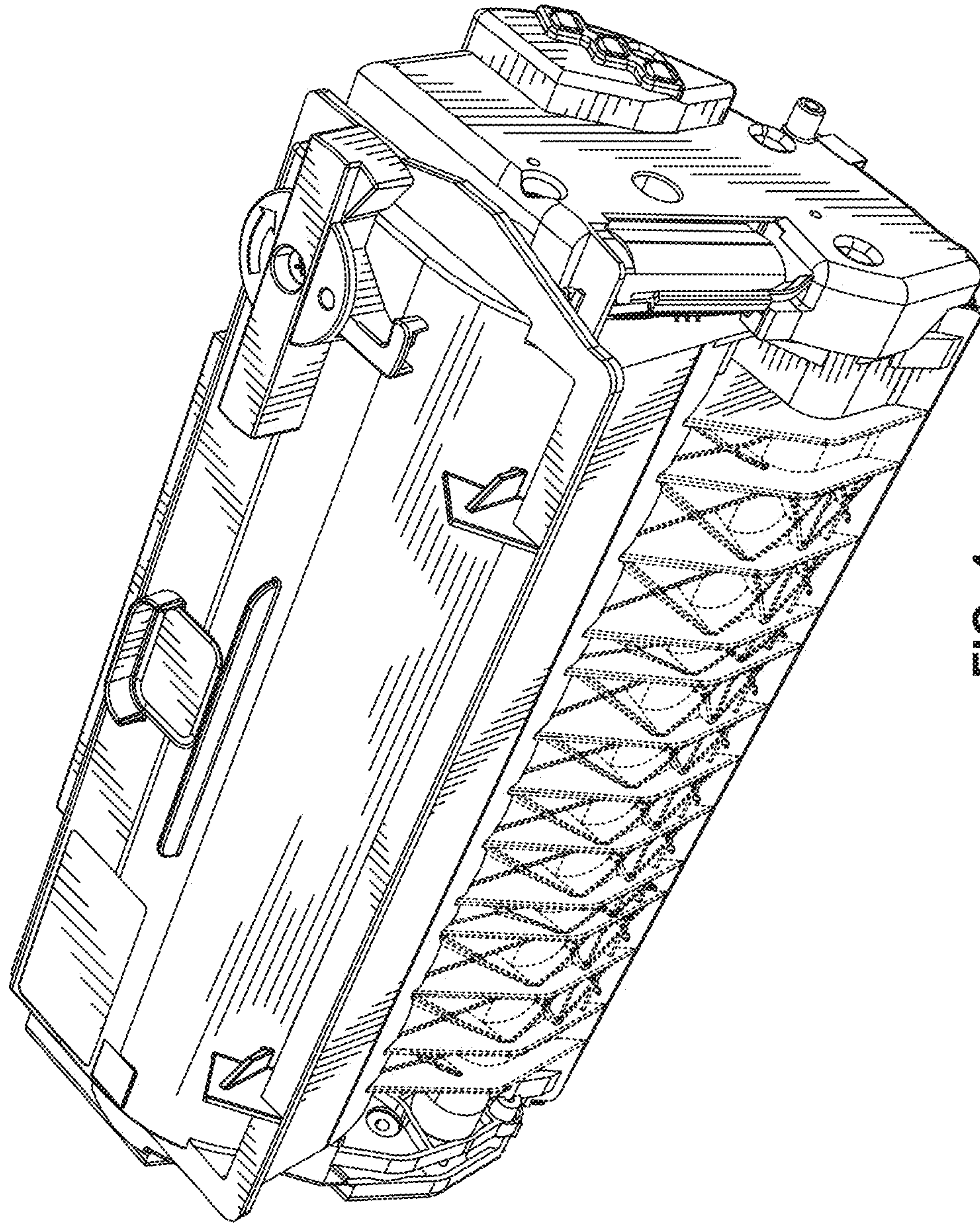


FIG. 4

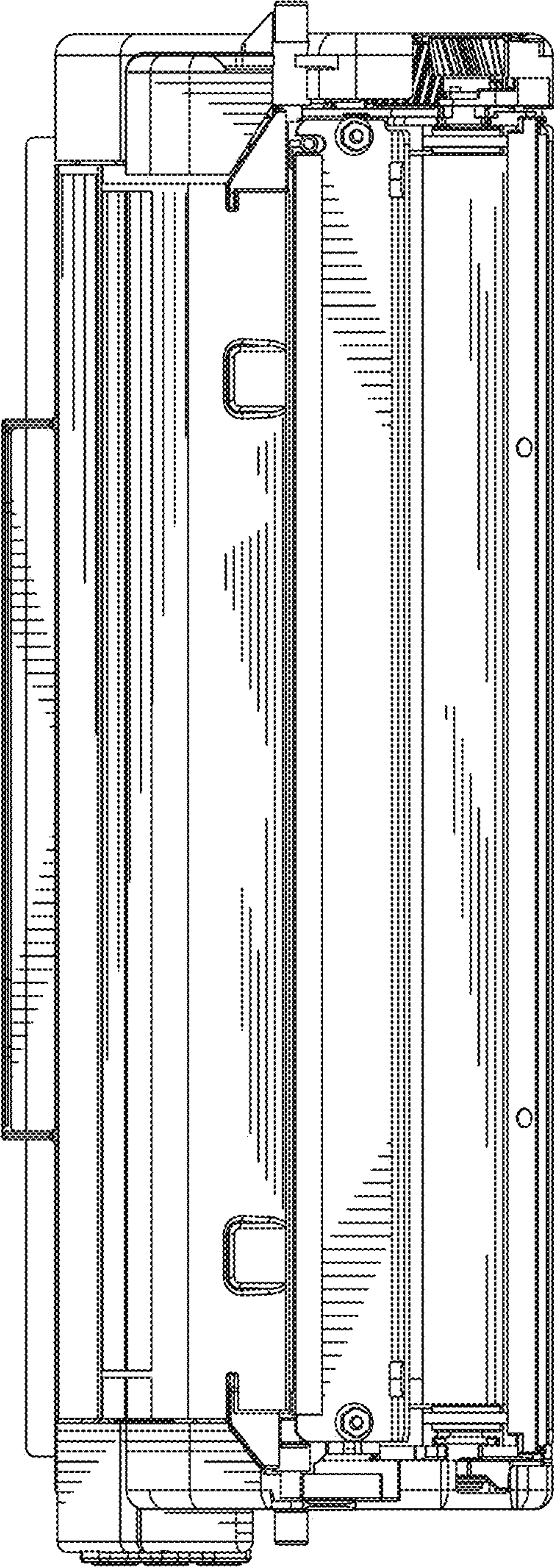


FIG. 5

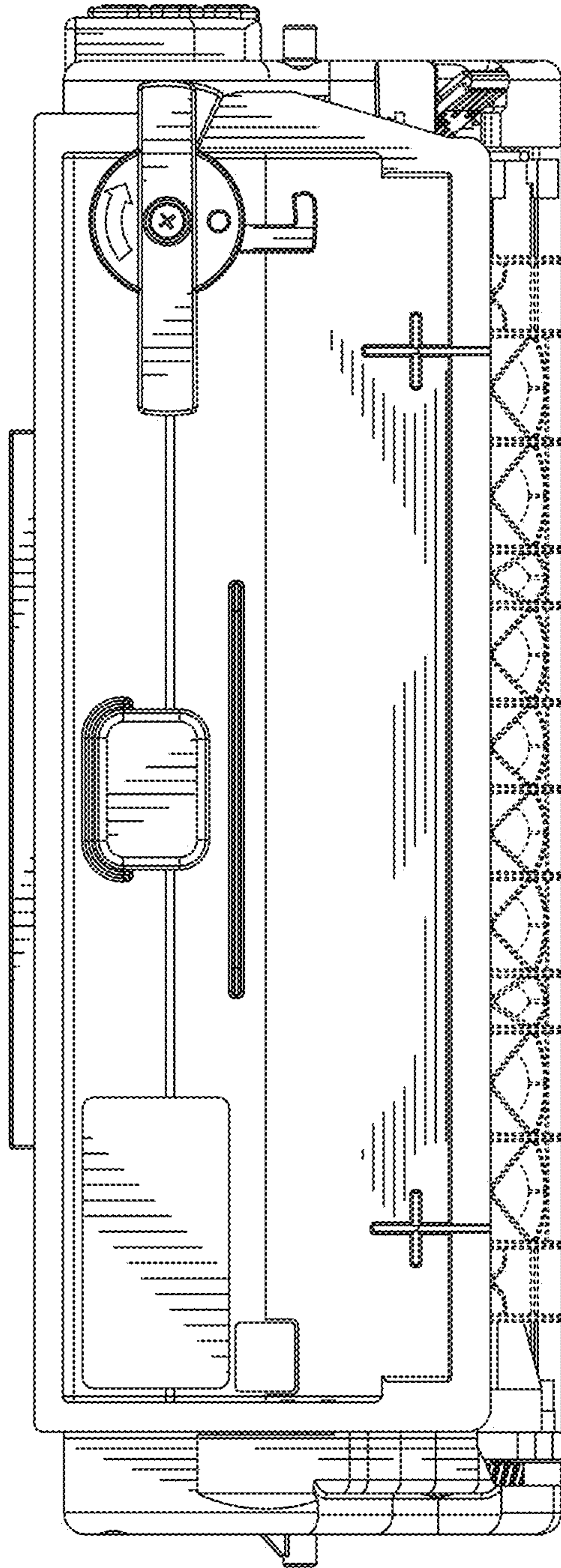


FIG. 6

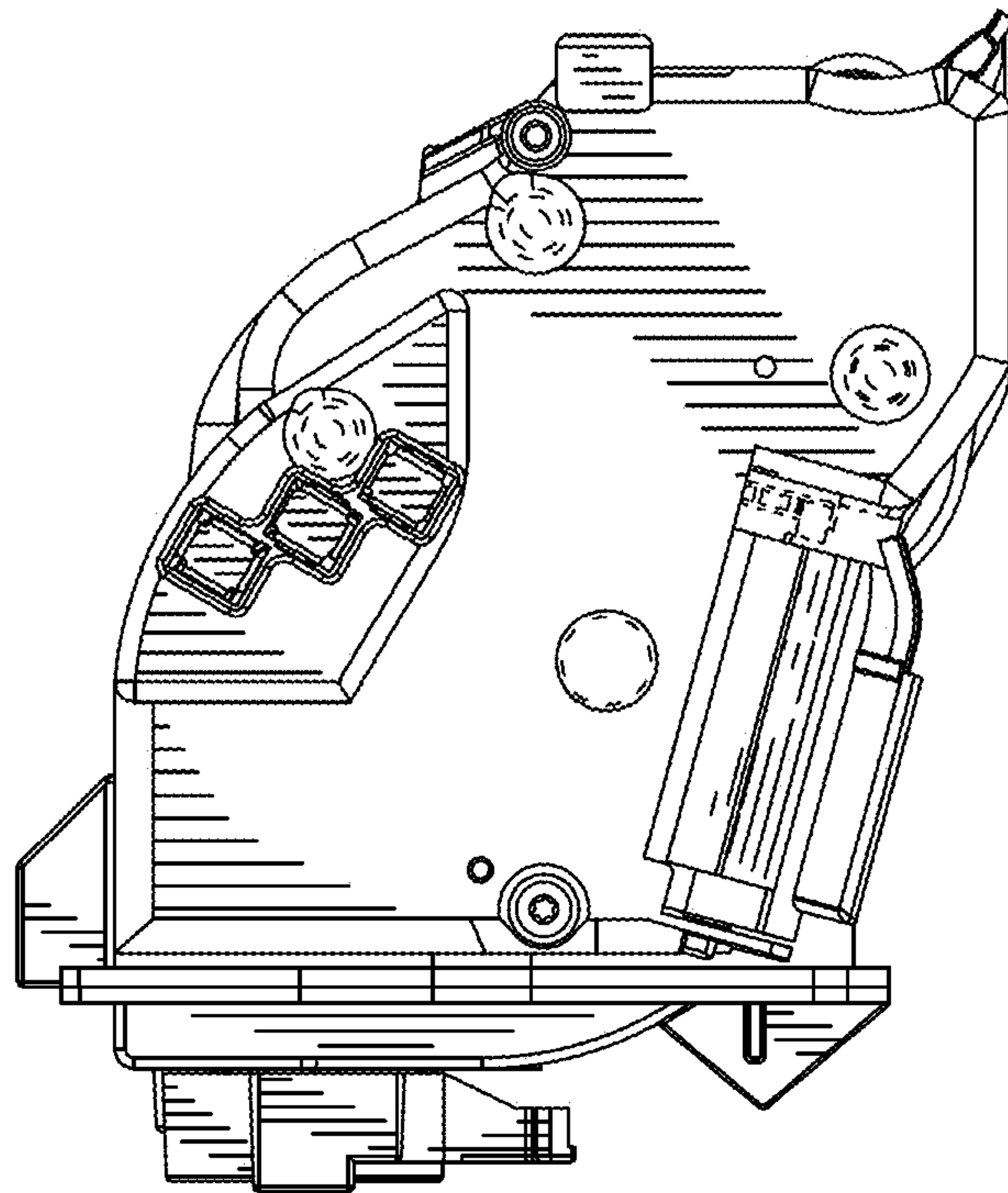


FIG. 7

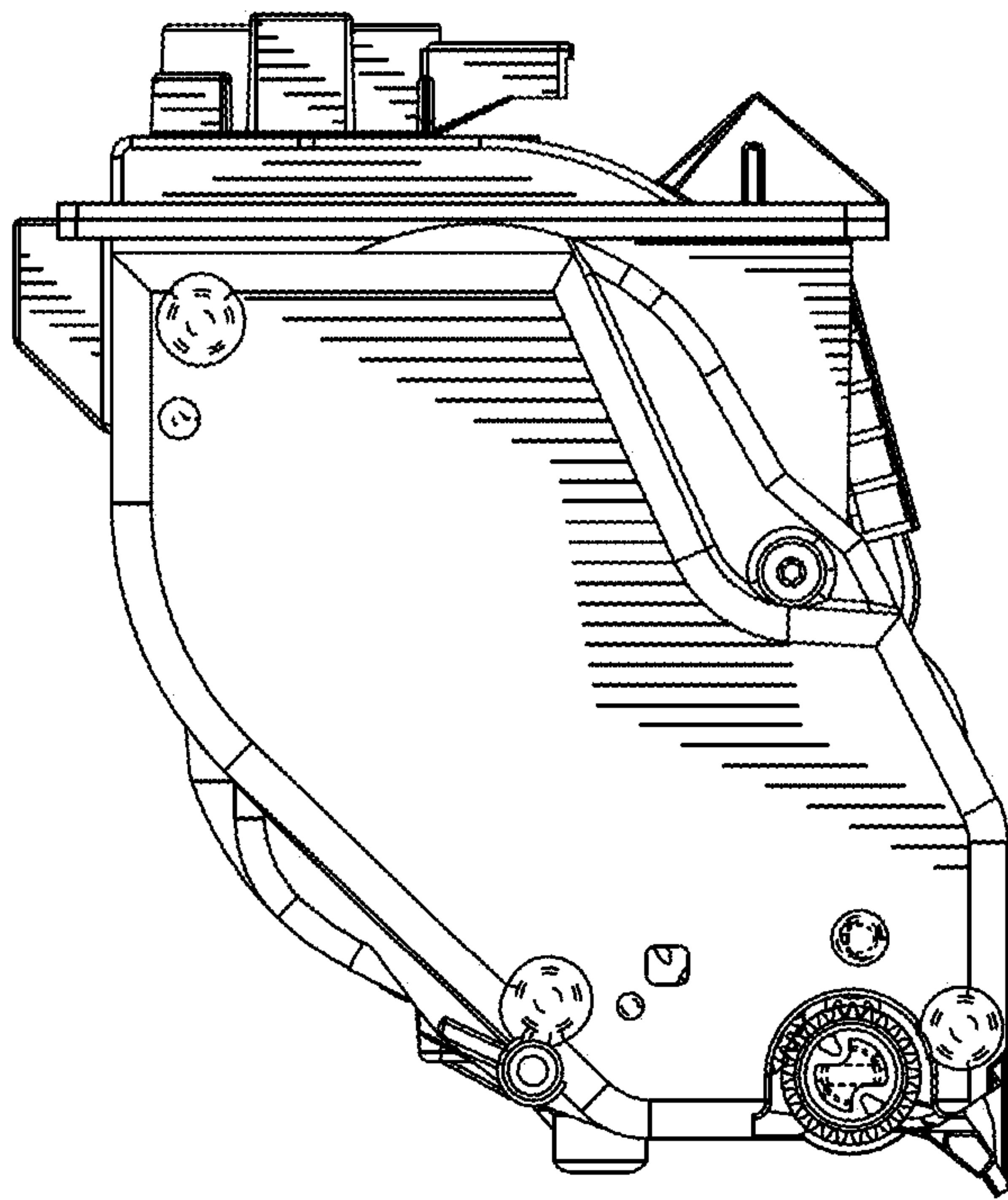


FIG. 8

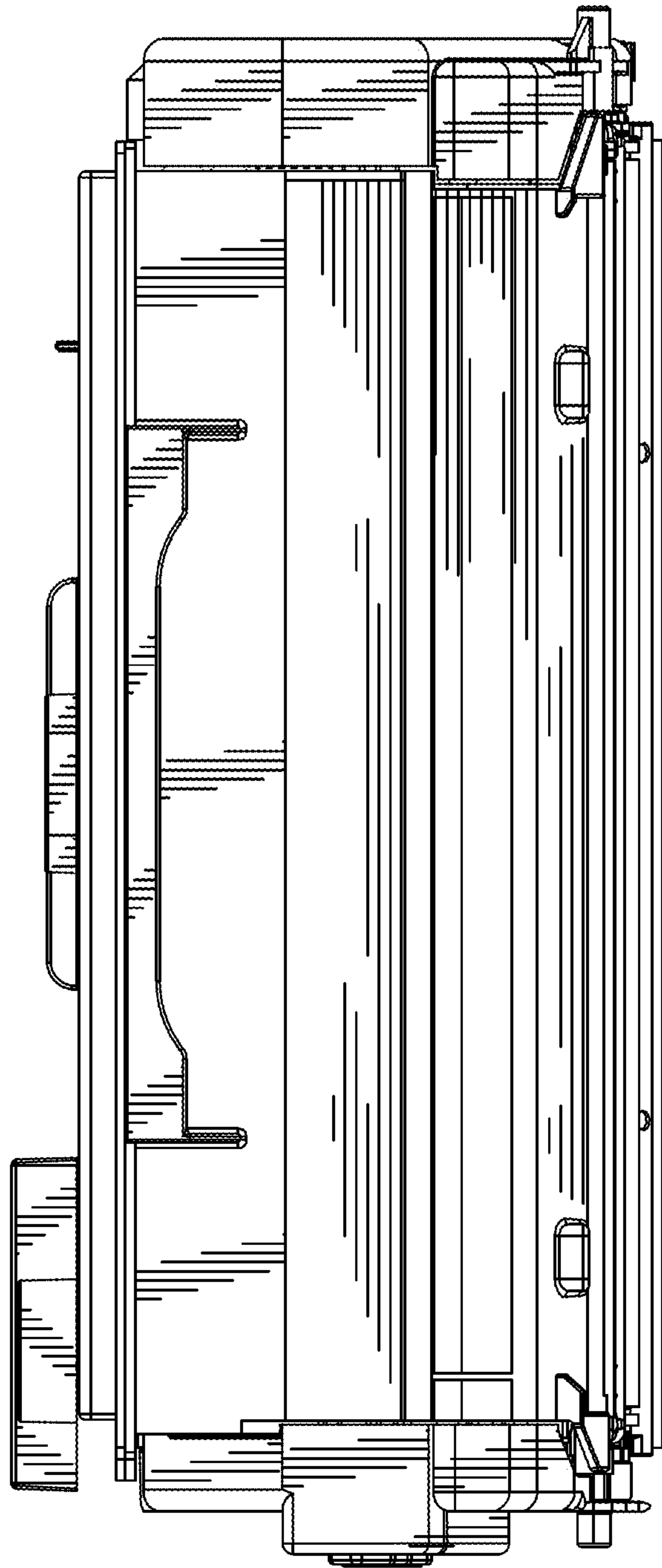


FIG. 9

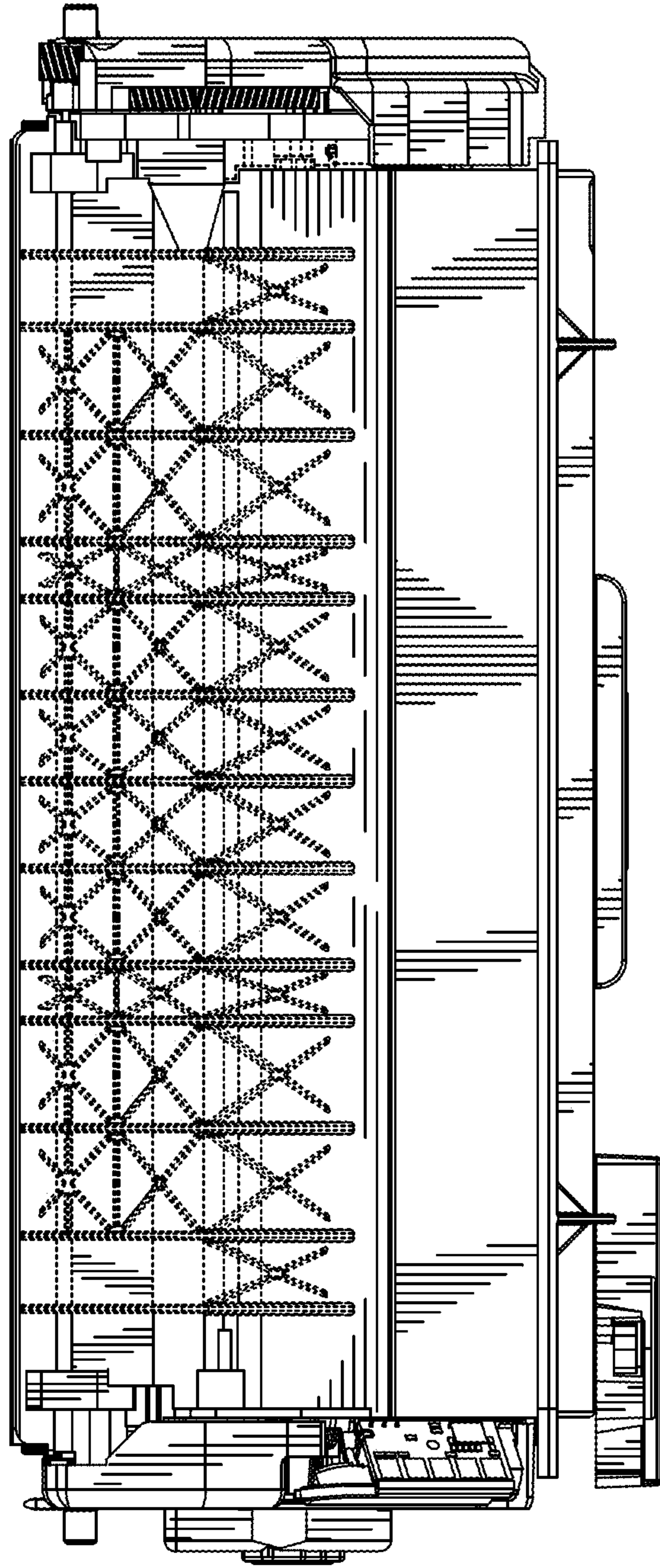


FIG. 10