



US00D952027S

(12) **United States Design Patent** (10) **Patent No.:** **US D952,027 S**  
**Shimano** (45) **Date of Patent:** **\*\* May 17, 2022**

(54) **CURRENCY PROCESSING MACHINE**

(71) Applicant: **GLORY LTD.**, Himeji (JP)

(72) Inventor: **Hiroyuki Shimano**, Himeji (JP)

(73) Assignee: **GLORY LTD.**, Himeji (JP)

(\*\*) Term: **15 Years**

(21) Appl. No.: **29/736,365**

(22) Filed: **May 29, 2020**

(51) **LOC (13) Cl.** ..... **18-01**

(52) **U.S. Cl.**  
USPC ..... **D18/3.3**

(58) **Field of Classification Search**  
USPC ... D18/3.1, 3.2, 3.3, 4.1, 4.4, 12, 12.1, 12.2,  
D18/12.3, 46, 47, 56, 59, 2, 4.5, 4.6;  
(Continued)

(56) **References Cited**

**U.S. PATENT DOCUMENTS**

D158,814 S \* 5/1950 Sundberg et al. .... D14/359  
2,588,190 A \* 3/1952 Wockenfuss ..... 101/93.45  
(Continued)

**FOREIGN PATENT DOCUMENTS**

CN 208172890 U \* 11/2018  
JP 2019200602 A \* 11/2019  
JP 2020181496 A \* 11/2020 ..... G07D 11/16

**OTHER PUBLICATIONS**

CI-10 Datasheet—US. (online PDF) 2 pgs. 2012. [retrieved Oct. 19, 2021] [https://www.glory-global.com/-/media/GloryGlobal/Downloads/EN\\_US/Data\\_Sheets\\_EN\\_US/CI-10-Datasheet-US.pdf](https://www.glory-global.com/-/media/GloryGlobal/Downloads/EN_US/Data_Sheets_EN_US/CI-10-Datasheet-US.pdf)\*

*Primary Examiner* — Marie D. Fast Horse  
(74) *Attorney, Agent, or Firm* — Renner, Kenner, Greive, Bobak, Taylor & Weber

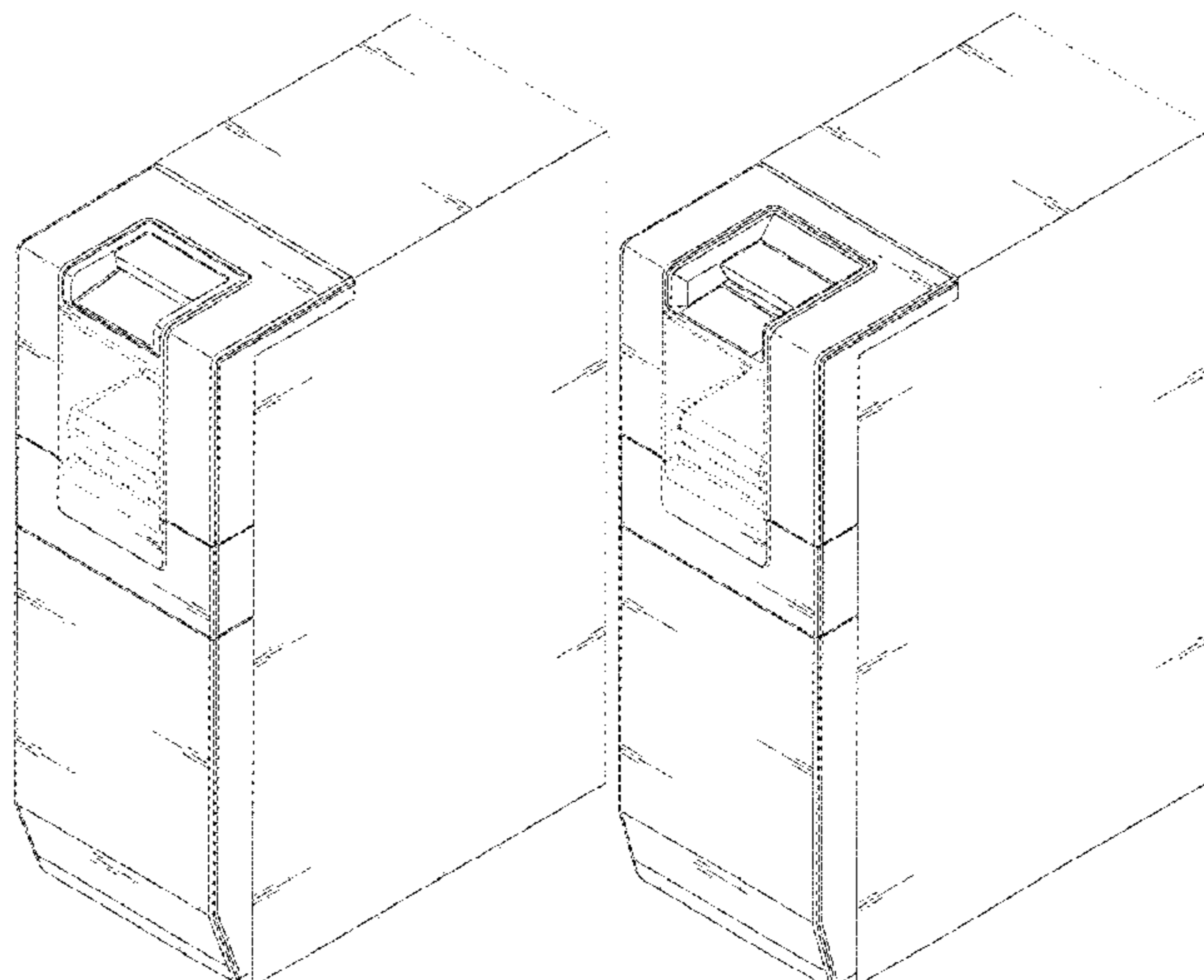
(57) **CLAIM**

The ornamental design for a currency processing machine, as shown and described.

**DESCRIPTION**

FIG. 1 is a front view of a first embodiment of a currency processing machine showing my new design; FIG. 2 is a rear view thereof; FIG. 3 is a left side view thereof; FIG. 4 is a top plan view thereof; FIG. 5 is a bottom view thereof; FIG. 6 is an upper right front perspective view thereof; FIG. 7 is a front view of a second embodiment of a currency processing machine showing my new design; FIG. 8 is a left side view thereof; FIG. 9 is a top plan view thereof; FIG. 10 is a bottom view thereof; FIG. 11 is an upper right front perspective view thereof; FIG. 12 is a top view of a third embodiment of a currency processing machine showing my new design; FIG. 13 is a top view of a fourth embodiment of a currency processing machine showing my new design; FIG. 14 is a top view of a fifth embodiment of a currency processing machine showing my new design; FIG. 15 is a top view of a sixth embodiment of a currency processing machine showing my new design; FIG. 16 is a top view of a seventh embodiment of a currency processing machine showing my new design; and, FIG. 17 is a top view of an eighth embodiment of a currency processing machine showing my new design. In each embodiment, a right side view is omitted because the right side view is symmetrical to the left side view. In a second embodiment, a rear view is omitted because the rear view is identical to the one of a first embodiment. In each of a third embodiment to an eighth embodiment, a front view, a rear view, a left side view and a bottom view are omitted because they are identical to the respective views in a second embodiment. The broken lines in the drawings depict portions of the currency processing machine that form no part of the claimed design.

**1 Claim, 17 Drawing Sheets**



(58) **Field of Classification Search**

USPC ..... D14/300, 301, 302, 303, 307, 308, 348,  
 D14/349, 432, 439, 441, 448, 449, 462,  
 D14/469, 471, 900, 901, 902; D10/96,  
 D10/97; D99/28, 34, 35, 43, 99;  
 D19/64, 65, 86, 95, 99, 100; D20/1, 8, 9;  
 D15/122  
 CPC .. G07D 11/00; G07D 11/009; G07D 11/0093;  
 G07D 11/50; G07D 11/0003; G07D  
 11/0021; G07D 11/0042; G07D 11/0081;  
 G07D 11/0084; G07D 11/0006; G07D  
 11/0009; G07D 2207/00; G07D 2211/00;  
 G07D 7/00; G07D 7/04; G07D 9/008;  
 G07G 1/00; G07G 1/0009; G07G 1/0036;  
 G07G 1/10; G07G 1/12; G07F 19/20;  
 G07F 19/205

See application file for complete search history.

(56) **References Cited**

U.S. PATENT DOCUMENTS

D189,549 S \* 1/1961 Koci ..... D10/97  
 D199,692 S \* 12/1964 Stolarz ..... D10/97  
 D207,791 S \* 5/1967 Stein ..... D20/1  
 D268,840 S \* 5/1983 Reed ..... D15/82  
 D279,577 S \* 7/1985 Kajita ..... D18/3.3  
 D295,569 S \* 5/1988 Nishida ..... D18/3.3  
 5,062,598 A \* 11/1991 Winkler ..... G07D 11/26  
 271/6  
 D335,149 S \* 4/1993 Dabrowski ..... D20/1  
 D368,256 S \* 3/1996 Stropkay ..... D14/420  
 D382,859 S \* 8/1997 Alfonso ..... D14/349  
 D428,045 S \* 7/2000 Stettes ..... D18/3.1  
 6,105,820 A \* 8/2000 McGill ..... A23G 9/28  
 222/146.6  
 D436,120 S \* 1/2001 Nottingham ..... D18/3.1  
 D448,040 S \* 9/2001 Forslund ..... D18/3.1  
 D452,873 S \* 1/2002 Nakao ..... D18/3.1  
 6,460,705 B1 \* 10/2002 Hallowell ..... G07D 11/10  
 209/534  
 6,601,687 B1 \* 8/2003 Jenrick ..... G07D 11/13  
 194/206  
 6,860,375 B2 \* 3/2005 Hallowell ..... G07D 11/24  
 194/328  
 D535,653 S \* 1/2007 Chen ..... D14/349  
 D537,442 S \* 2/2007 Lauffer ..... D14/349  
 7,370,792 B1 \* 5/2008 Graef ..... G07F 19/20  
 235/379  
 D574,417 S \* 8/2008 Gaze ..... D14/308  
 D574,418 S \* 8/2008 Gaze ..... D14/308  
 D574,419 S \* 8/2008 Gaze ..... D14/308  
 D574,420 S \* 8/2008 Gaze ..... D14/308  
 D574,421 S \* 8/2008 Gaze ..... D14/308  
 D574,422 S \* 8/2008 Gaze ..... D14/308  
 D579,481 S \* 10/2008 Gaze ..... D14/308  
 D579,482 S \* 10/2008 Gaze ..... D14/308  
 D604,732 S \* 11/2009 Sun ..... D14/349  
 D608,779 S \* 1/2010 Chen ..... D14/349  
 D618,875 S \* 6/2010 Tougo ..... D99/28  
 D624,066 S \* 9/2010 Samsonsen ..... D14/308  
 D626,171 S \* 10/2010 Von Heifner ..... D18/3.1  
 D650,007 S \* 12/2011 Inage ..... D18/3.3  
 D652,444 S \* 1/2012 Inage ..... D18/3.3  
 D669,525 S \* 10/2012 Bleck ..... D18/3.3  
 D671,164 S \* 11/2012 Bleck ..... D18/3.3  
 D674,020 S \* 1/2013 Hecht ..... D20/1

D677,714 S \* 3/2013 Helgesson ..... D18/4.4  
 D686,663 S \* 7/2013 Bruck ..... D20/1  
 D690,330 S \* 9/2013 Tsuchiyama ..... D15/122  
 D725,865 S \* 3/2015 Cho ..... D99/28  
 8,973,817 B1 \* 3/2015 Daniel, III ..... G07F 19/202  
 235/379  
 D728,027 S \* 4/2015 Plakas ..... D20/1  
 D744,996 S \* 12/2015 Keisling ..... D14/308  
 D766,540 S \* 9/2016 Lee ..... D99/28  
 D767,239 S \* 9/2016 Umeda ..... D99/34  
 D774,722 S \* 12/2016 Yeon ..... D99/28  
 D776,399 S \* 1/2017 Yeon ..... D99/28  
 D782,148 S \* 3/2017 Rohan ..... D99/28  
 D803,507 S \* 11/2017 Park ..... D99/28  
 D810,189 S \* 2/2018 Enomoto ..... D18/3.1  
 D825,133 S \* 8/2018 Park ..... D99/28  
 D834,092 S \* 11/2018 Bruckner ..... D20/8  
 10,204,469 B2 \* 2/2019 Yokawa ..... G07D 11/26  
 D844,045 S \* 3/2019 Umeda ..... D18/3.1  
 D850,524 S \* 6/2019 Oba ..... D18/3.3  
 D871,499 S \* 12/2019 Kuroda ..... D18/3.3  
 D874,569 S \* 2/2020 Tumblety ..... D20/1  
 D879,873 S \* 3/2020 Takahashi ..... D18/3.3  
 D888,047 S \* 6/2020 van de Poll ..... D14/307  
 D892,217 S \* 8/2020 Tumblety ..... D20/1  
 2003/0201146 A1 \* 10/2003 Abe ..... G07D 1/02  
 194/302  
 2005/0056693 A1 \* 3/2005 Yokoi ..... G07D 11/30  
 235/379  
 2006/0043167 A1 \* 3/2006 Fujioka ..... G07F 19/202  
 235/379  
 2008/0047801 A1 \* 2/2008 Nakatsuka ..... G07D 11/26  
 194/206  
 2009/0120760 A1 \* 5/2009 Sjostrom ..... G07D 9/008  
 194/302  
 2010/0168902 A1 \* 7/2010 Mizushima ..... G07D 11/23  
 700/214  
 2010/0181333 A1 \* 7/2010 Mizushima ..... G07D 11/14  
 221/1  
 2010/0200448 A1 \* 8/2010 Doi ..... G07D 11/22  
 206/459.1  
 2010/0303332 A1 \* 12/2010 Miki ..... G07D 11/50  
 382/135  
 2012/0005073 A1 \* 1/2012 Gnorski ..... G06Q 20/10  
 705/39  
 2012/0012436 A1 \* 1/2012 Nakamoto ..... B65H 29/006  
 194/215  
 2012/0173013 A1 \* 7/2012 Nakamoto ..... G07D 11/50  
 700/215  
 2013/0006414 A1 \* 1/2013 Tagashira ..... G07D 11/0087  
 700/232  
 2013/0256987 A1 \* 10/2013 Miki ..... G07D 11/50  
 271/264  
 2014/0072696 A1 \* 3/2014 Nomura ..... G07D 11/125  
 427/7  
 2016/0379433 A1 \* 12/2016 Lavigne ..... G07D 11/36  
 271/3.14  
 2017/0270737 A1 \* 9/2017 Sakamoto ..... G07F 7/04  
 2019/0073851 A1 \* 3/2019 Umeda ..... G07D 1/00  
 2019/0122478 A1 \* 4/2019 Sanda ..... G07D 7/17  
 2019/0139350 A1 \* 5/2019 Kuroda ..... G07D 11/34  
 2019/0147683 A1 \* 5/2019 Kobayashi ..... G07D 11/25  
 235/379  
 2020/0035055 A1 \* 1/2020 Razzaboni ..... G07D 1/00  
 2020/0134957 A1 \* 4/2020 Yokawa ..... G07D 11/125  
 2020/0342705 A1 \* 10/2020 Yagi ..... G07G 1/0018  
 2020/0372745 A1 \* 11/2020 Onishi ..... G07F 19/202

\* cited by examiner

Fig. 1

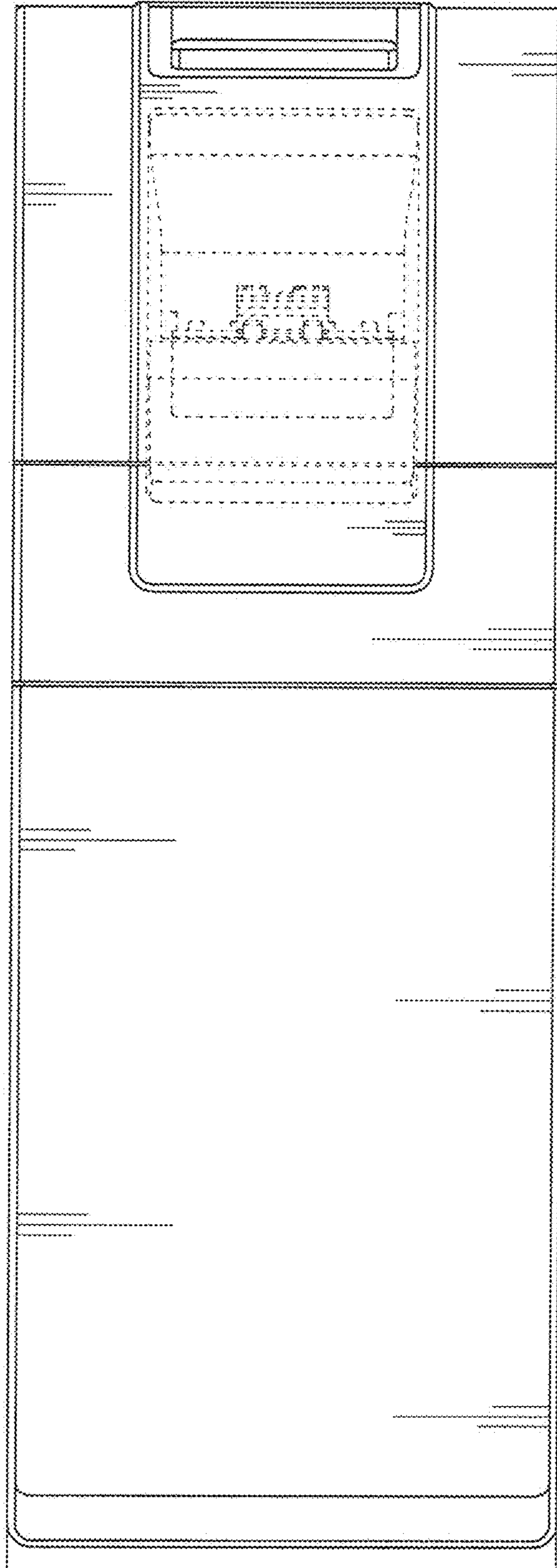


Fig.2

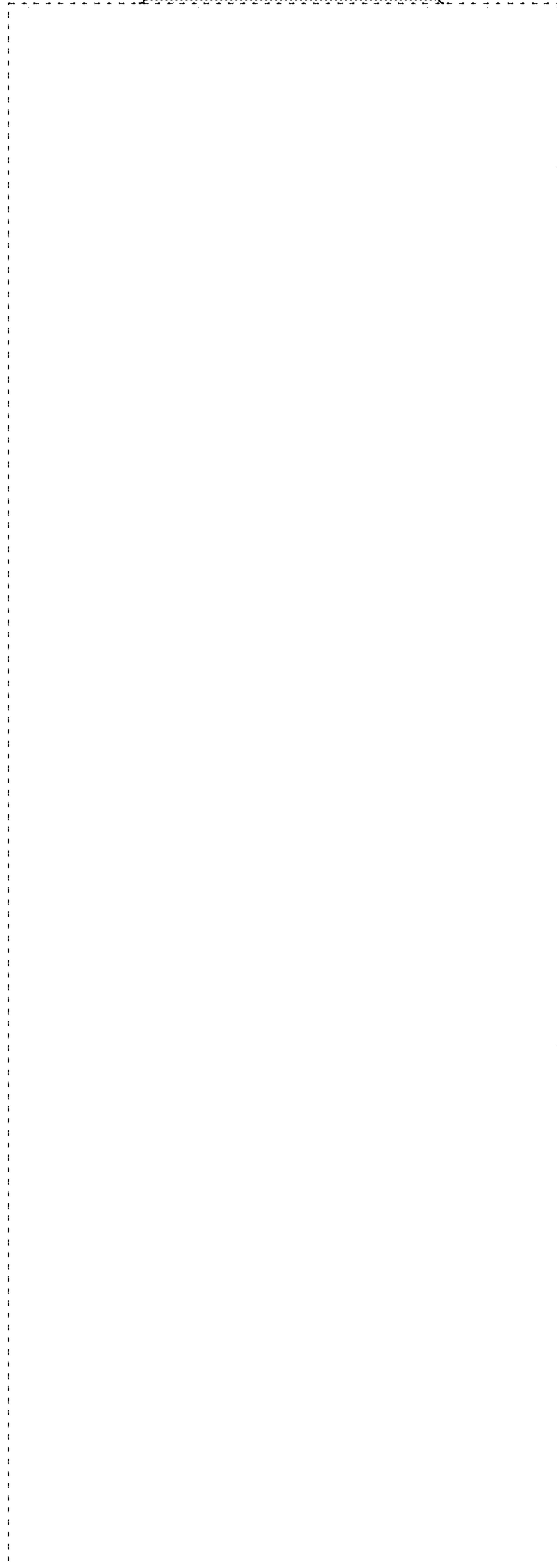


Fig.3

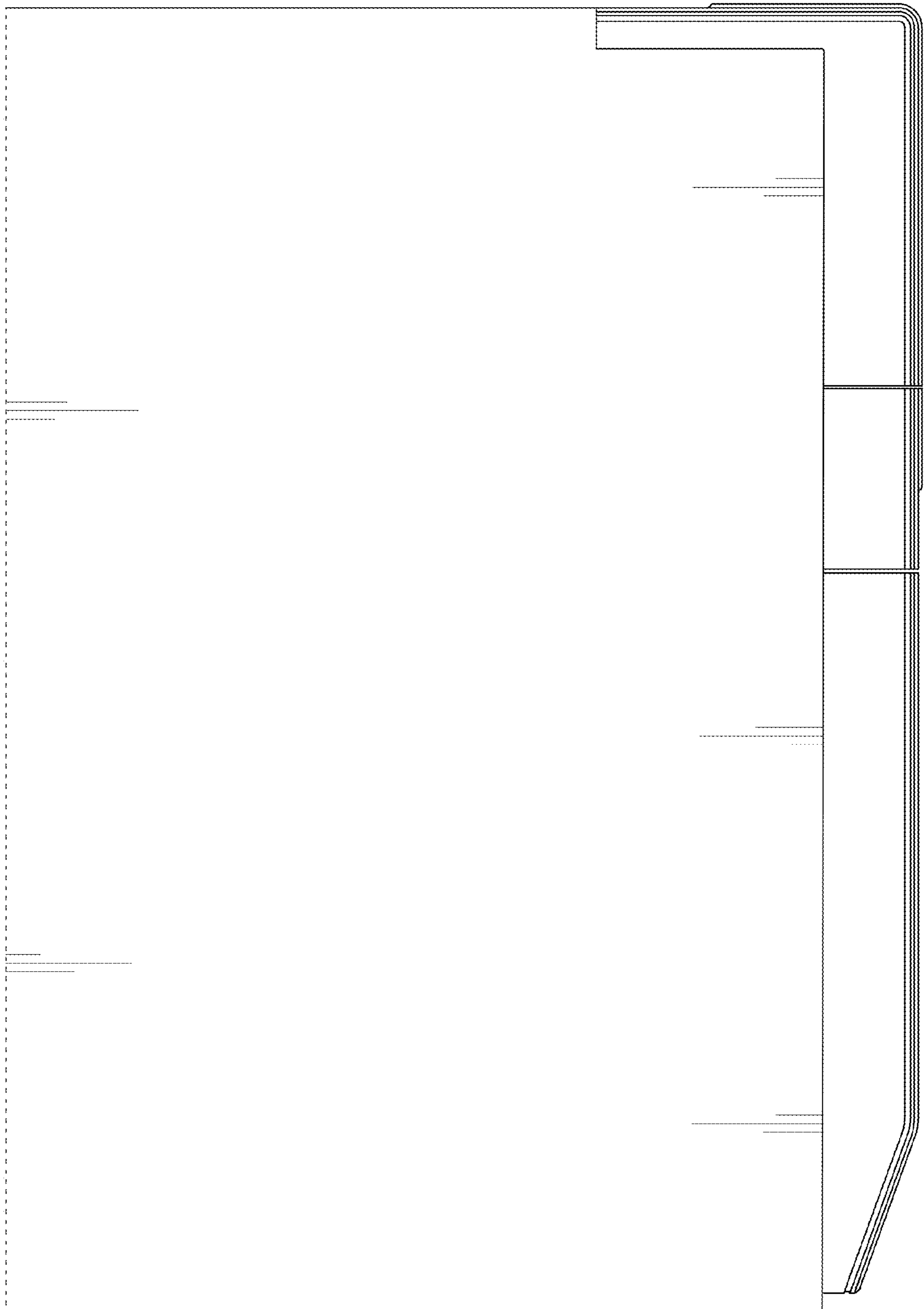


Fig.4

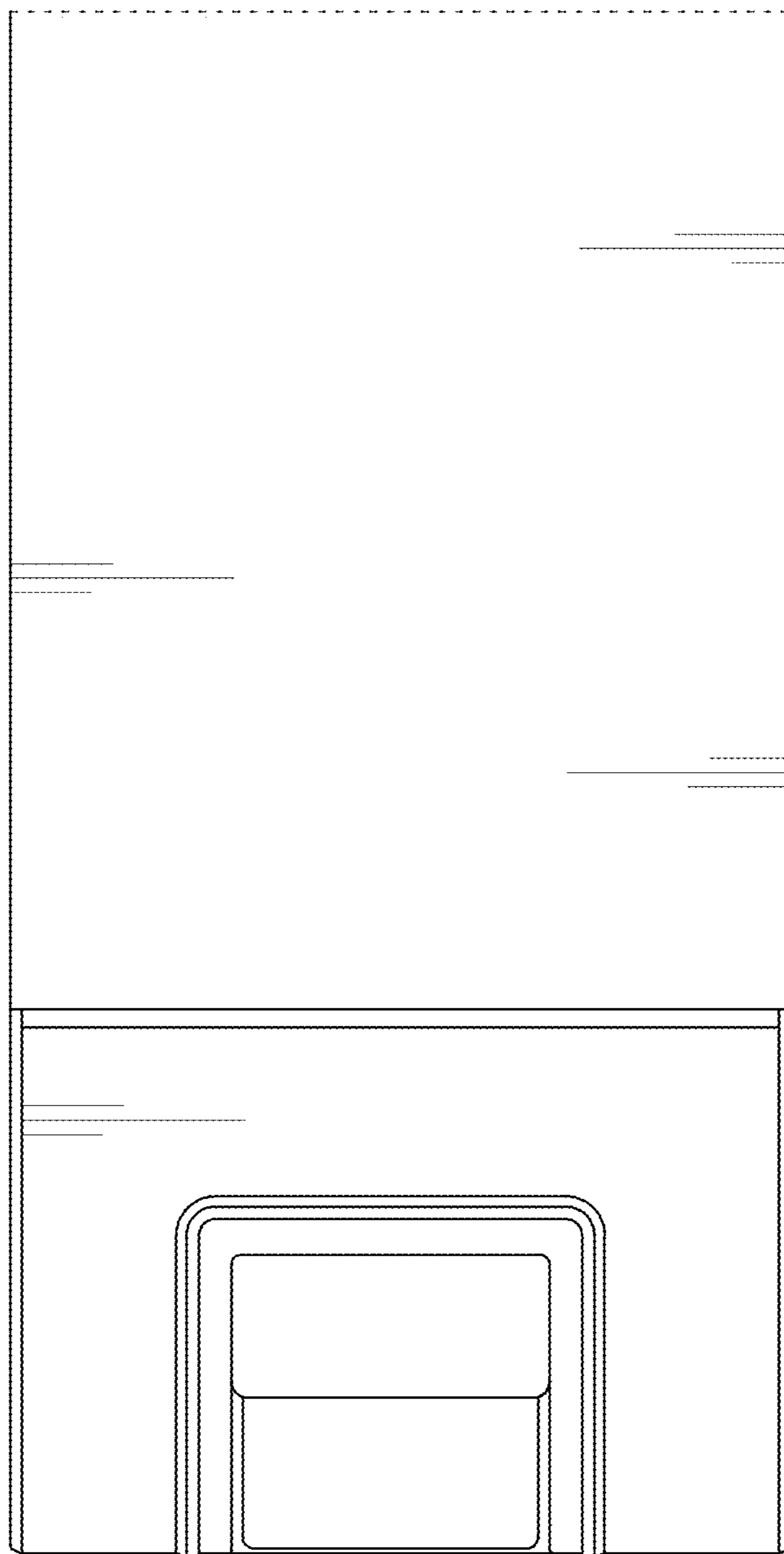


Fig.5

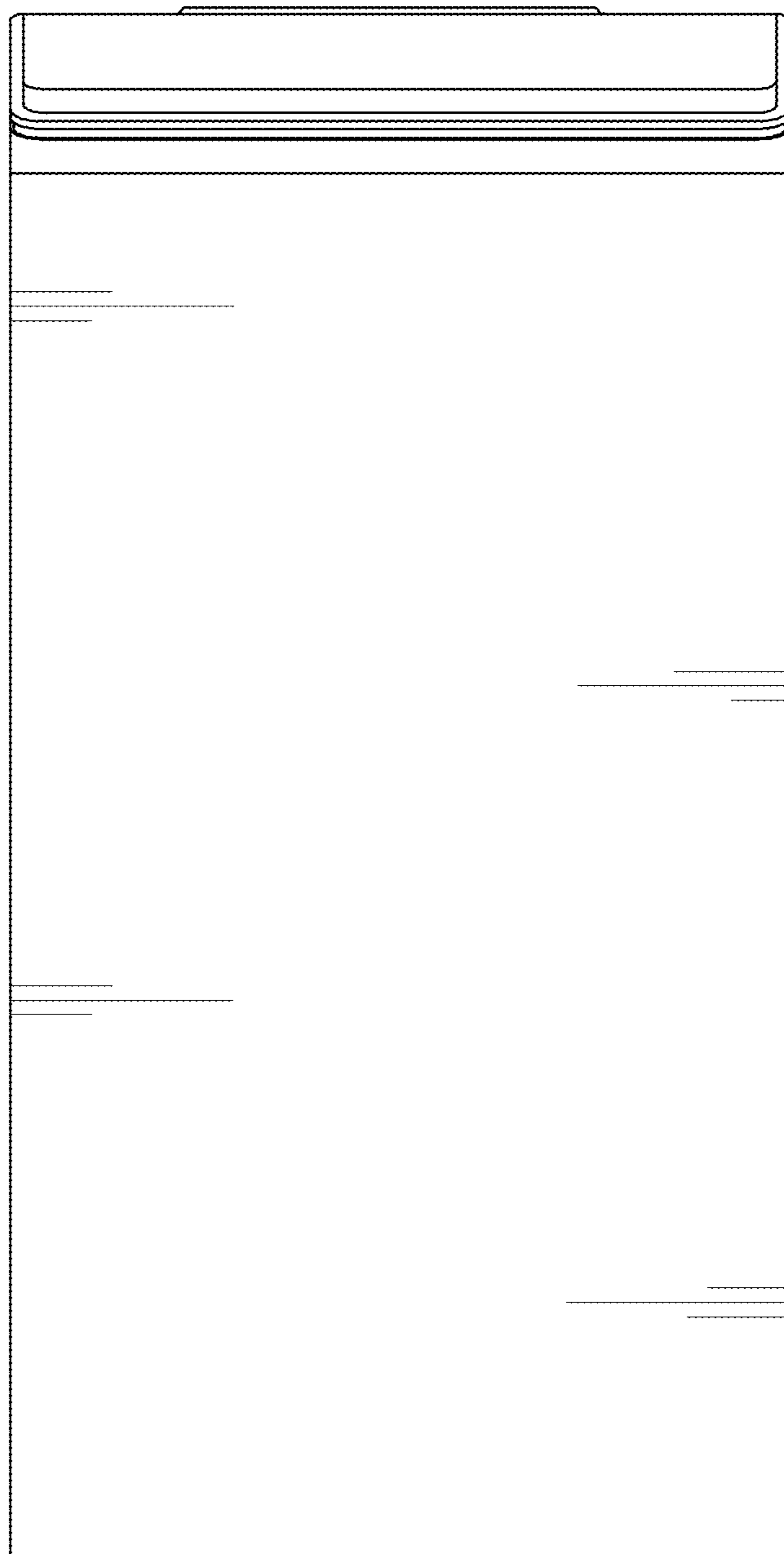


Fig.6

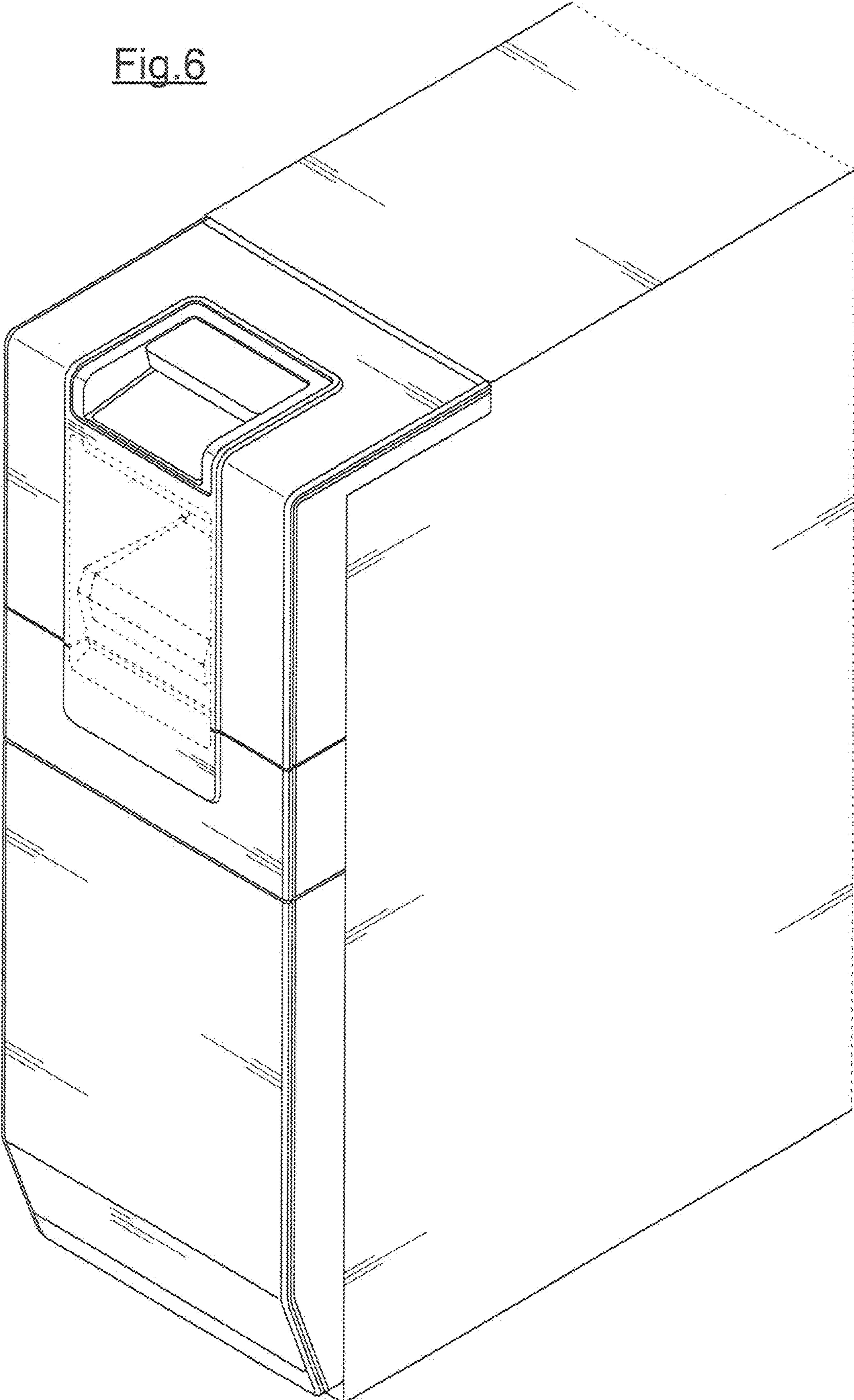




Fig.7

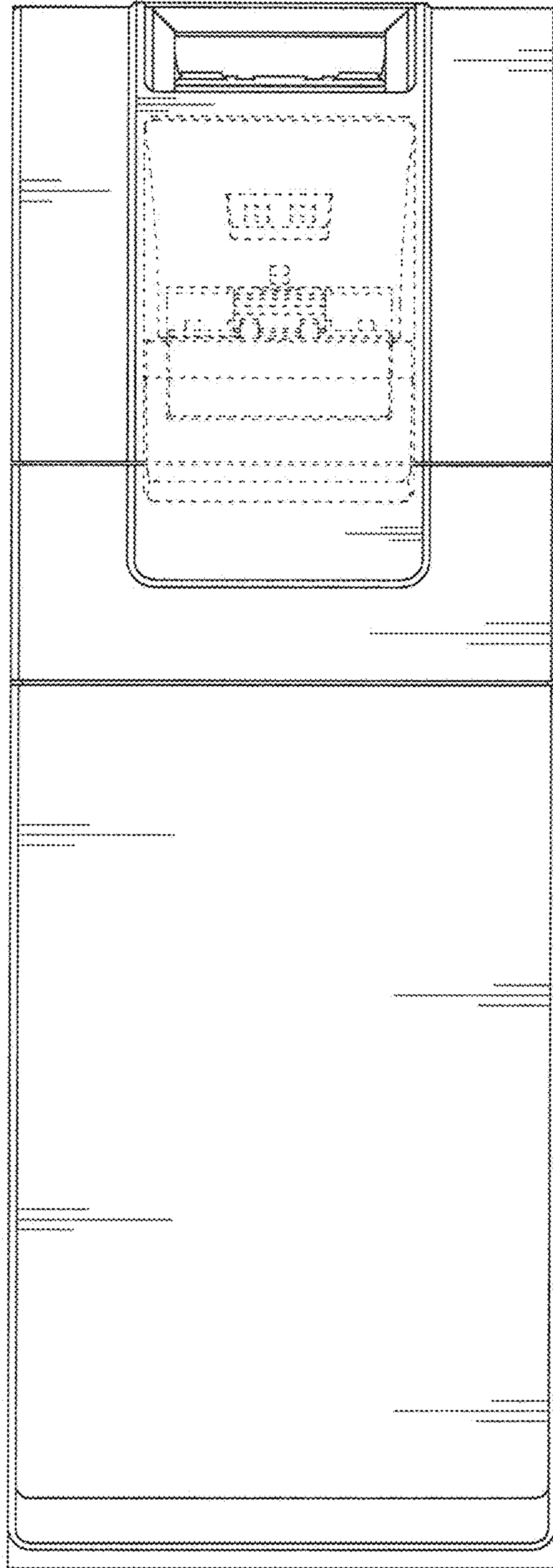


Fig.8

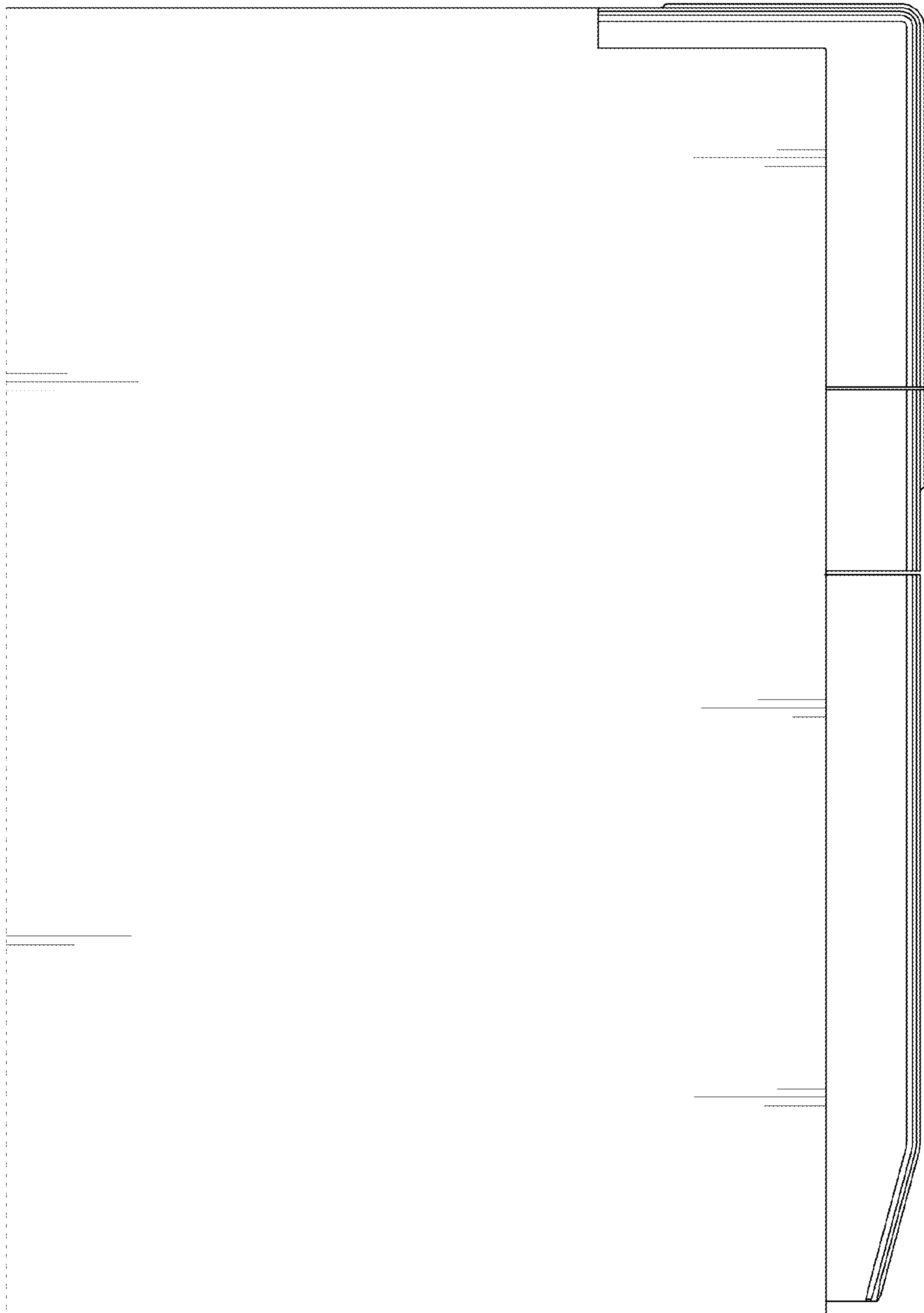


Fig.9

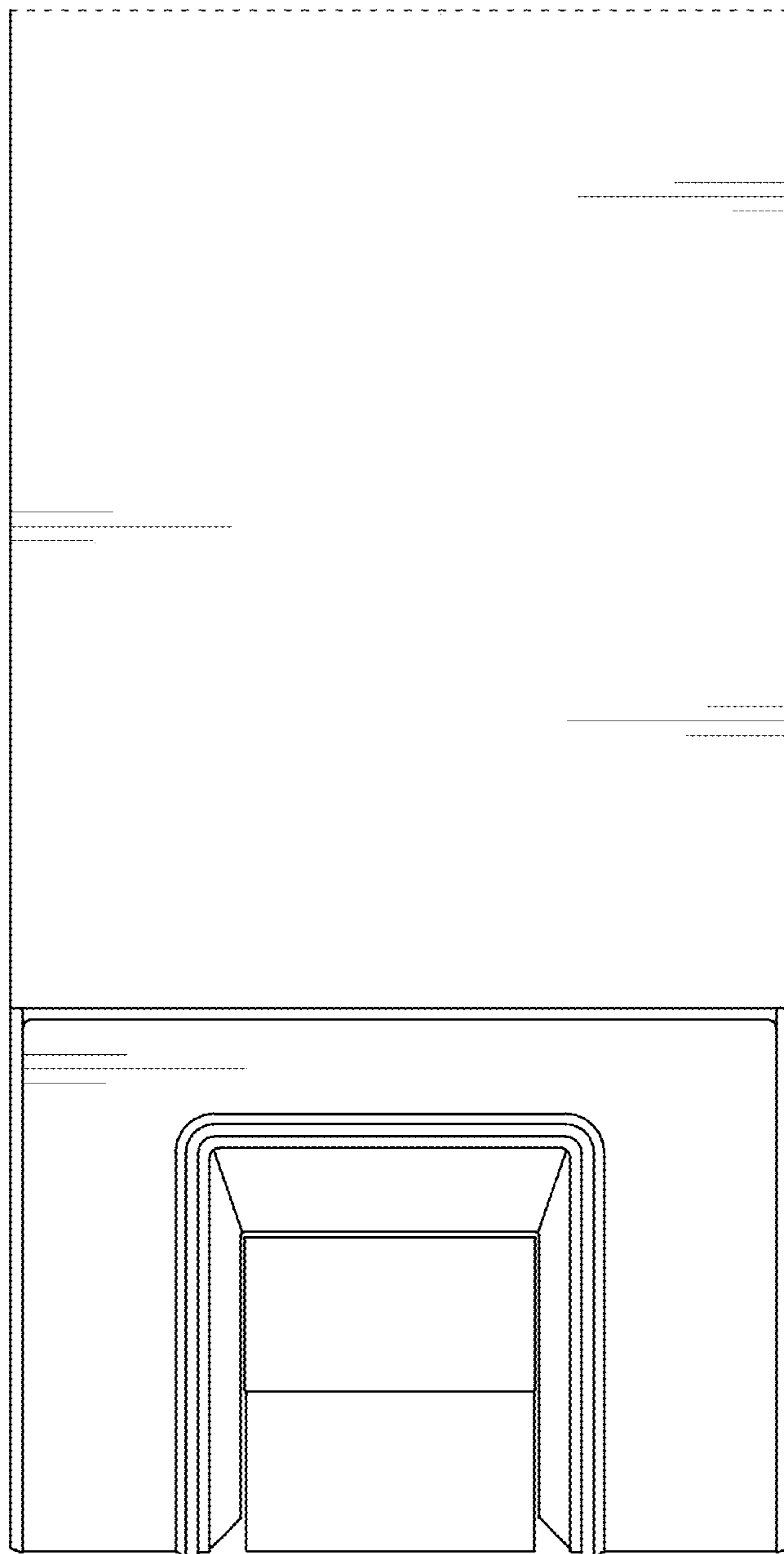


Fig.10

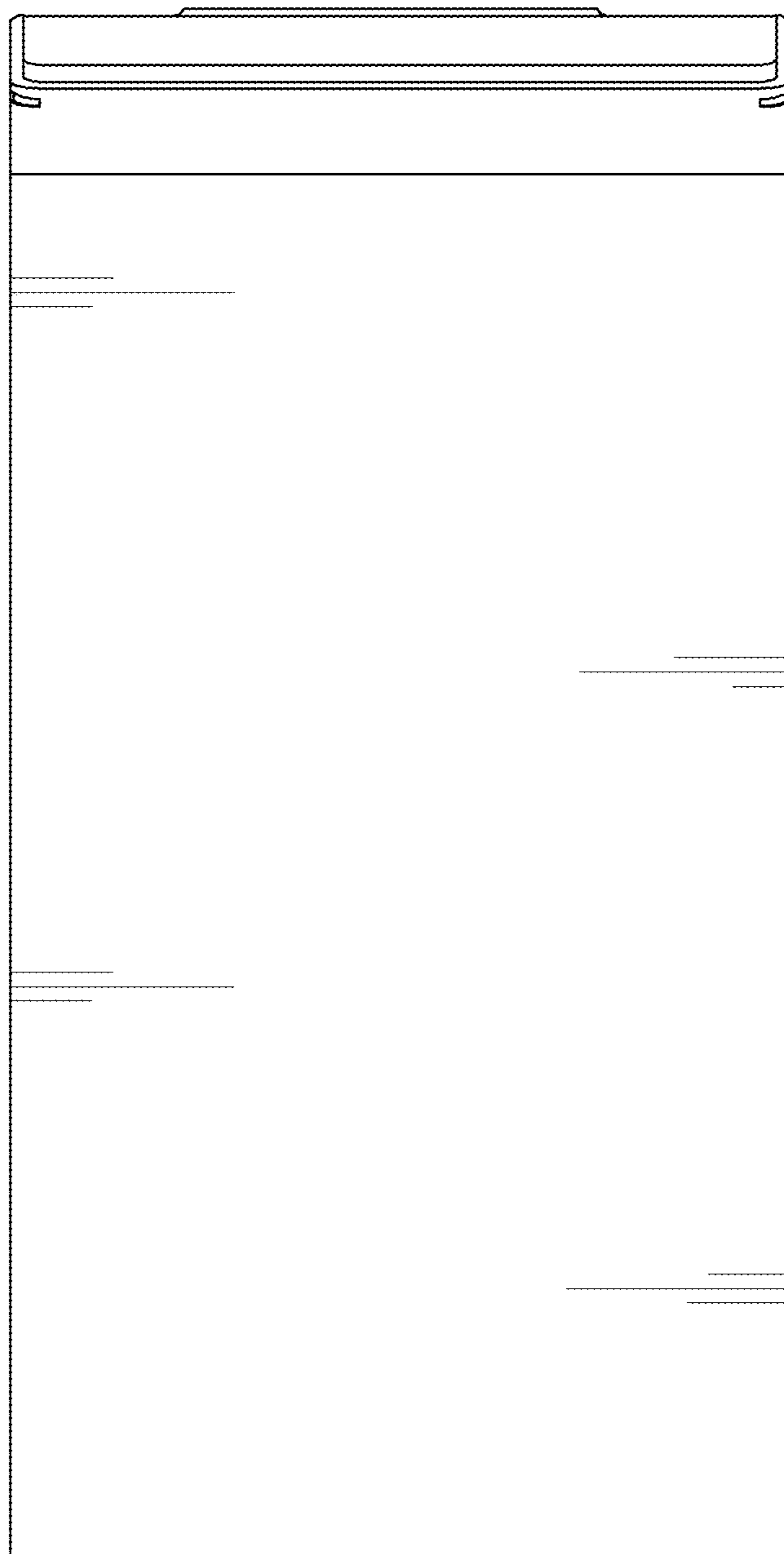


Fig.11

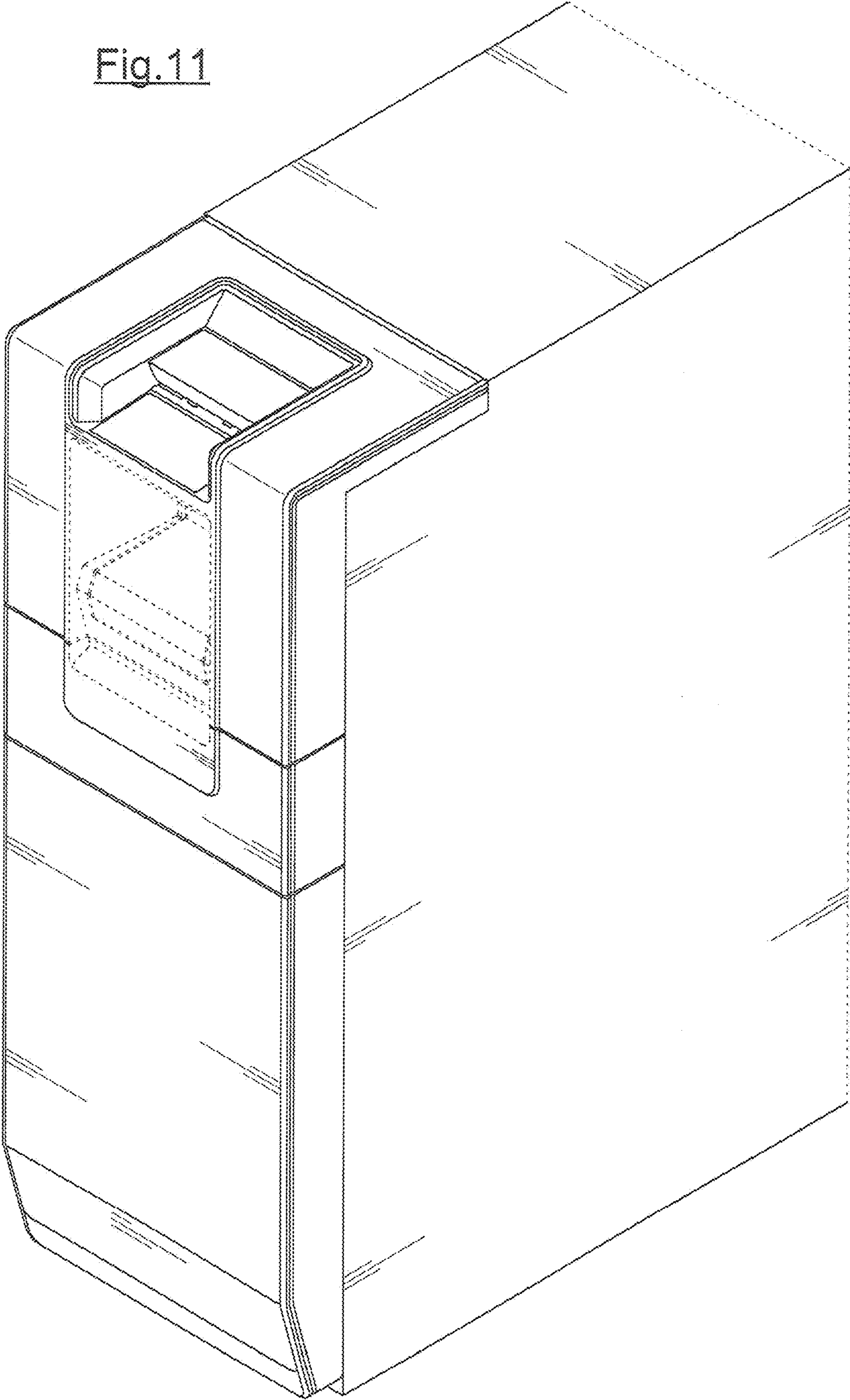


Fig.12

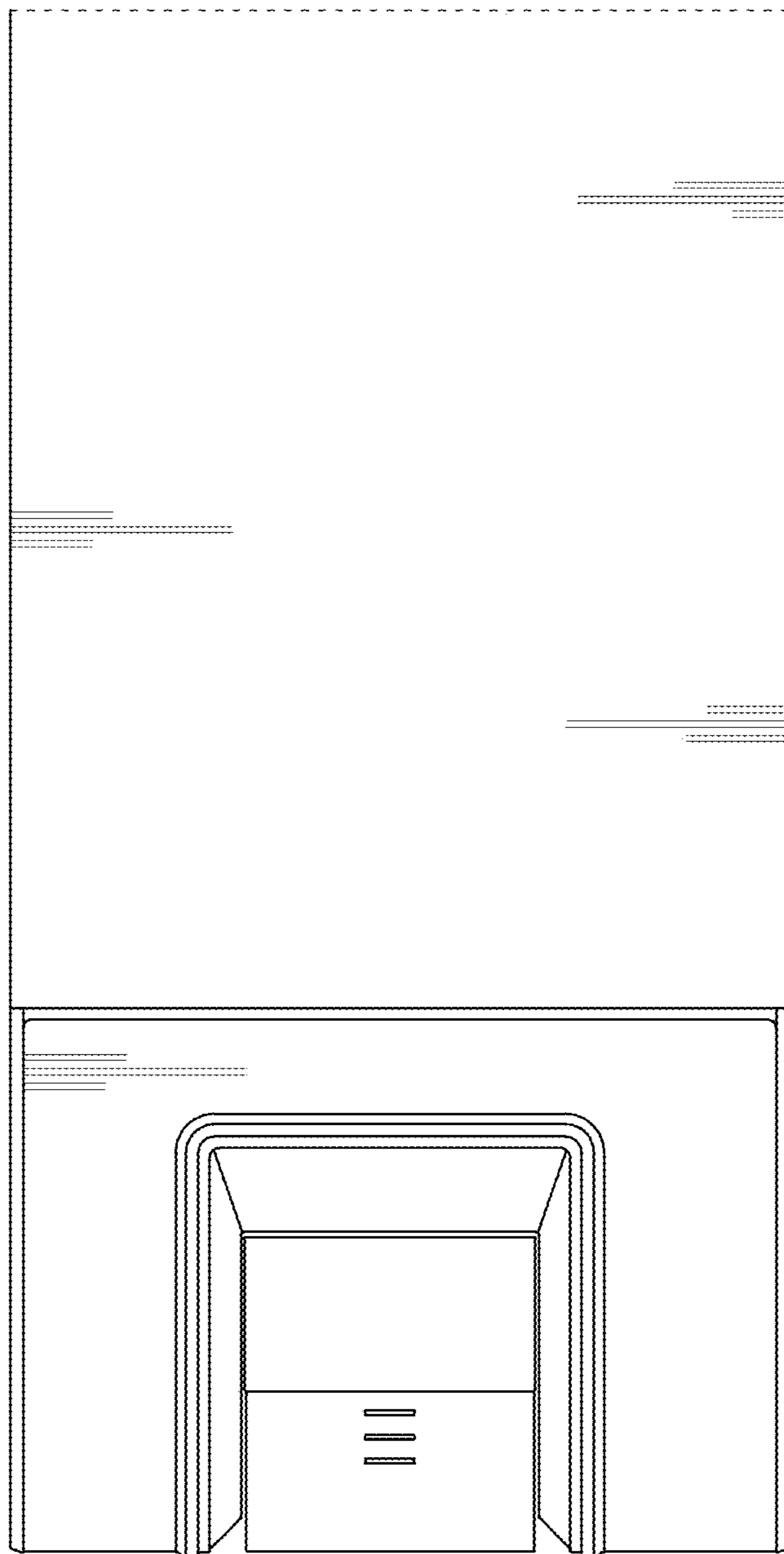


Fig.13

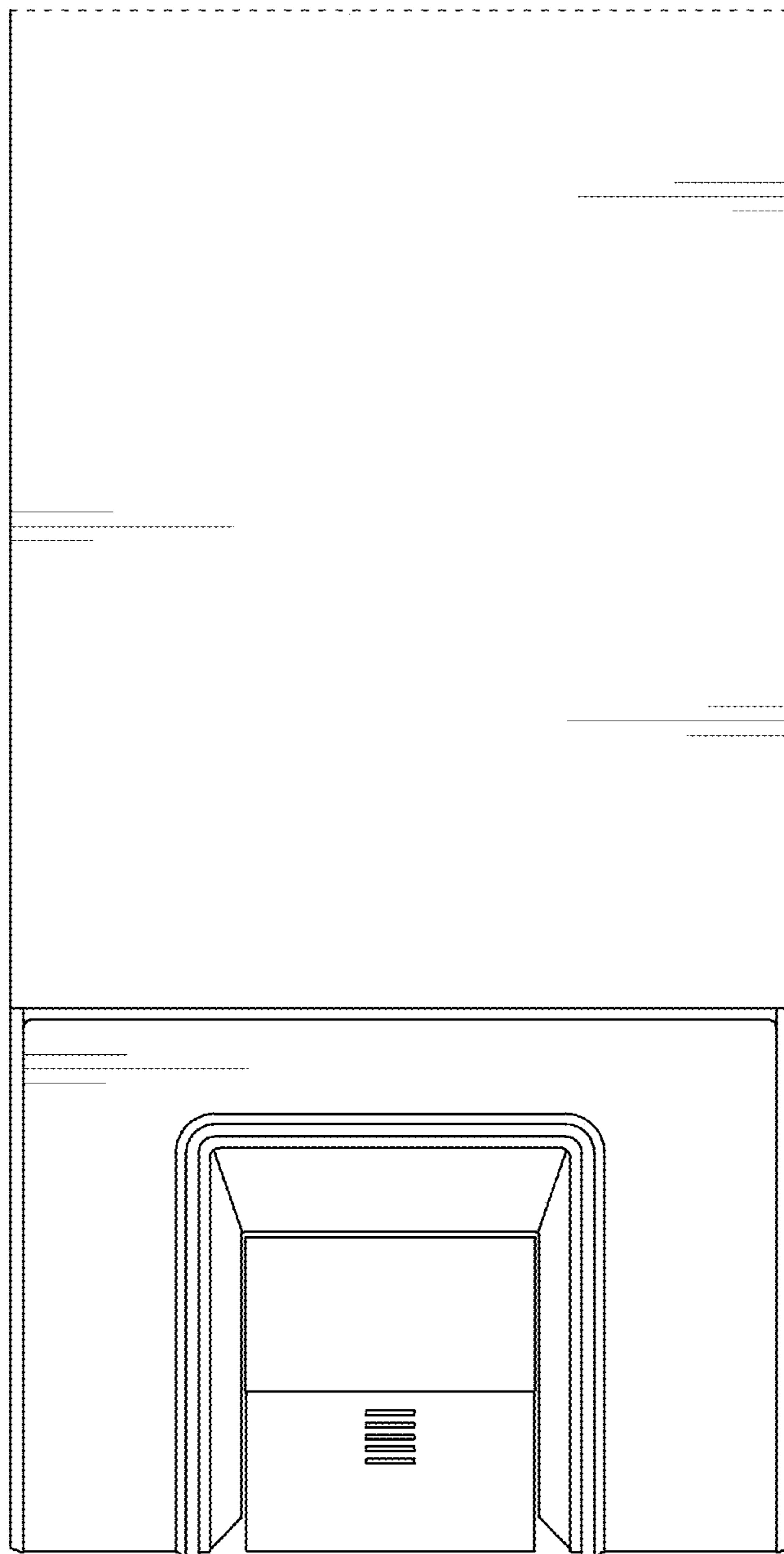


Fig.14

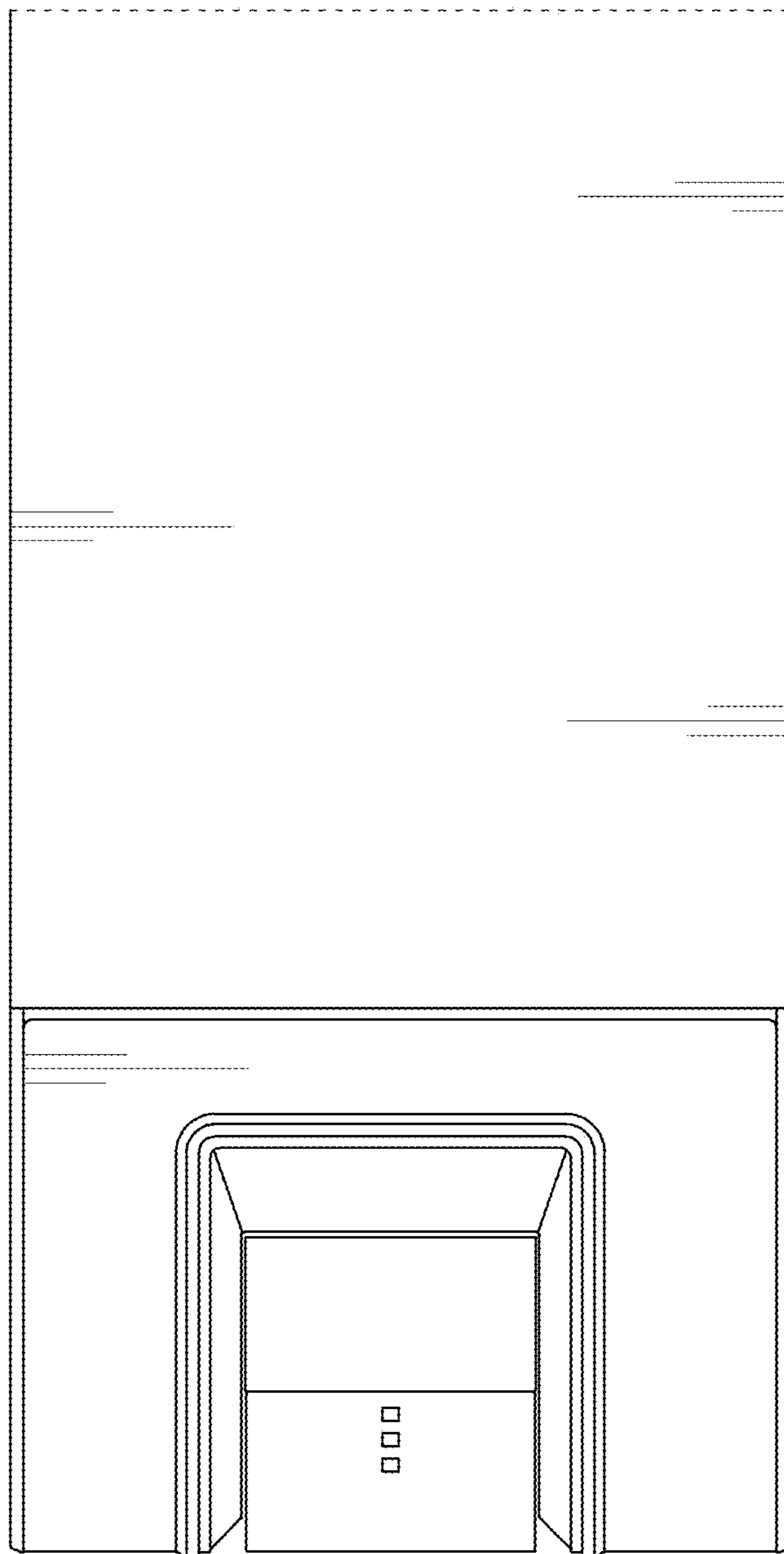




Fig.15

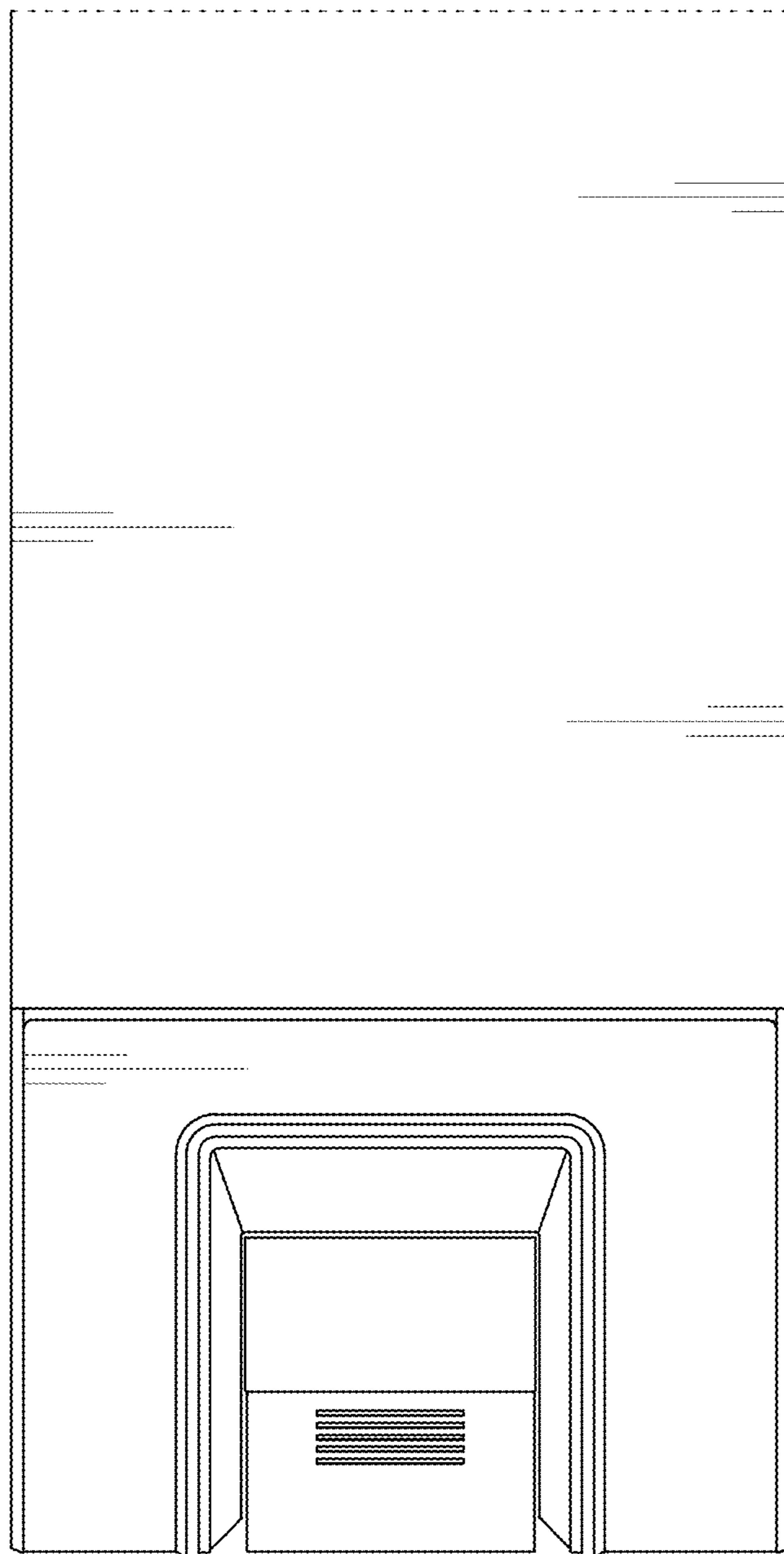


Fig.16

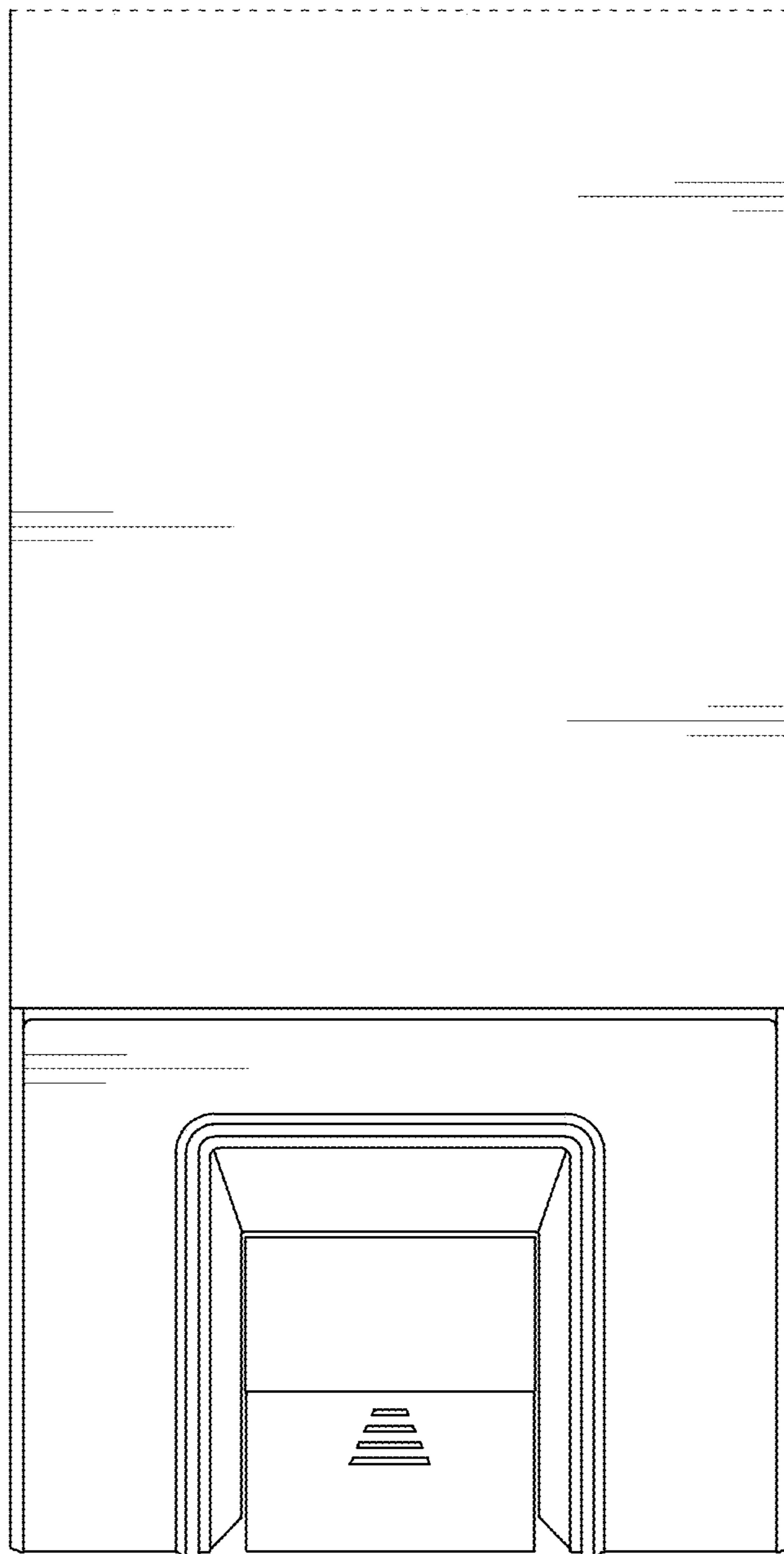


Fig.17

