



US00D952025S

(12) **United States Design Patent**
Siarhei

(10) **Patent No.:** **US D952,025 S**
(45) **Date of Patent:** **** *May 17, 2022**

(54) **EYEGLASS RETAINER COUPLING**

FOREIGN PATENT DOCUMENTS

(71) Applicant: **Hryshanau Siarhei**, Kostyukovichi
(BY)

FR 2805053 A1 * 8/2001 G02C 5/16
WO WO-2019082459 A1 * 5/2019 G02C 3/00

(72) Inventor: **Hryshanau Siarhei**, Kostyukovichi
(BY)

OTHER PUBLICATIONS

(*) Notice: This patent is subject to a terminal disclaimer.

Google search: "eyeglass coupling" [site visited Nov. 11, 2020]:
https://www.google.com/search?q=eyeglass+coupling&rlz=1C1GCEB_enUS799US799&hl=en&sxsrf=ALeKk00jb1XclPdKKN1jRgBVOEcz1-JQsQ:1605144993616&source=lnms&tbn=isch&sa=X&ved=2ahUKEwiT1aCJ7_vsAhUBmlkKHay_AUQQ_AUoAnoECBQQBA&biw=1200&bih=1777 (Year: 2020).*

(**) Term: **15 Years**

(Continued)

(21) Appl. No.: **29/700,154**

(22) Filed: **Jul. 31, 2019**

Primary Examiner — Sanjeev Paul

(51) **LOC (13) Cl.** **16-06**

(52) **U.S. Cl.**
USPC **D16/339**

(58) **Field of Classification Search**
USPC 351/43, 44-47, 49, 59, 63, 69, 104, 123,
351/126, 131, 132, 135, 145; D16/101,
D16/300-342; D29/108-110; D14/372
CPC G02C 5/22; G02C 5/2218; G02C 5/2236;
G02C 5/2245; G02C 5/2254; G02C
5/2272; G02C 5/14; G02C 5/143; G02C
5/146; G02C 5/18; G02C 5/20; G02C
5/12; G02C 5/124; G02C 5/126; G02C
11/02; G02C 11/06; G02C 7/10; G02C
9/04; A61F 9/00

See application file for complete search history.

(57) **CLAIM**

I claim the ornamental design of eyeglass retainer coupling, as shown and described.

DESCRIPTION

FIG. 1 is a perspective view of the eyeglass retainer coupling;
FIG. 2 is another perspective view of the eyeglass retainer coupling;
FIG. 3 is a perspective view of the eyeglass retainer coupling in an alternate configuration;
FIG. 4 is a perspective view of the eyeglass retainer coupling shown in a state of use;
FIG. 5 is a top a view of the eyeglass retainer coupling, with the bottom view being a mirror of image thereof;
FIG. 6 is a left-side view of the eyeglass retainer coupling, with right-side view being a mirror of image thereof;
FIG. 7 is front view of the eyeglass retainer coupling; and,
FIG. 8 is a back view of the eyeglass retainer coupling.
The broken lines shown in the drawings represent environmental subject matter and form no part of the claimed design.

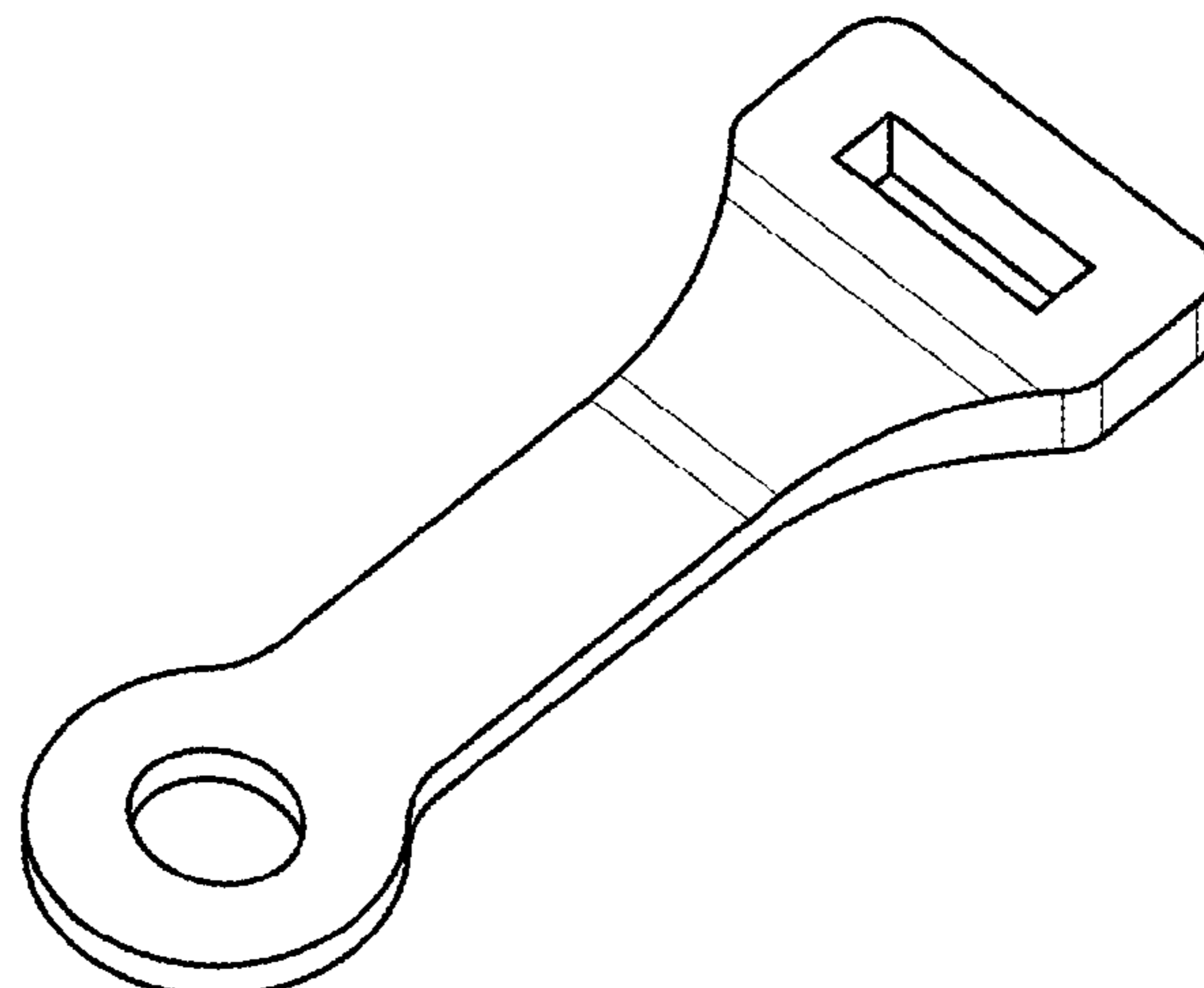
(56) **References Cited**

U.S. PATENT DOCUMENTS

677,912 A * 7/1901 Alexander G02C 5/02
351/65
871,077 A * 11/1907 Anthoine G02C 3/00
351/76
1,263,718 A * 4/1918 Tully G02C 5/143
351/111
3,408,699 A * 11/1968 Reynolds B65D 63/1036
24/16 PB
3,457,598 A * 7/1969 Mariani B65D 63/1036
24/16 PB

(Continued)

1 Claim, 3 Drawing Sheets



(56)

References Cited

U.S. PATENT DOCUMENTS

D285,907	S *	9/1986	Johnson	D9/443
5,440,786	A *	8/1995	Sorensen	B29C 45/26
					24/16 PB
D409,219	S *	5/1999	Huang	D16/303
6,192,554	B1 *	2/2001	Dumcum	B65D 63/1018
					24/16 PB
6,279,203	B1 *	8/2001	Hundley	B65D 63/1036
					24/16 PB
D482,383	S *	11/2003	Lee	D16/311
D545,346	S *	6/2007	Hsu	D16/311
D547,788	S *	7/2007	Cheng	D16/311
7,992,366	B2 *	8/2011	McCarthy	B68C 1/02
					54/44.1
D683,387	S *	5/2013	Sheldon	D16/311
8,474,229	B2 *	7/2013	McCarthy	B68C 1/20
					54/44.1
D751,888	S *	3/2016	Sakamoto	D8/383
D825,752	S *	8/2018	Dimino	D24/143
D880,572	S *	4/2020	Lu	D16/311
D893,583	S *	8/2020	Yeomans	D16/303
2013/0242252	A1 *	9/2013	Anselmi	G02C 3/00
					351/156
2013/0271721	A1 *	10/2013	Chen	G02C 1/08
					351/121

OTHER PUBLICATIONS

Google search: "swimming goggle coupler" [site visited Nov. 11, 2020]: https://www.google.com/search?q=swimming+goggle+coupler&hl=en&sxsrf=ALeKk03aFgXVqfB-DU05_je61L1st1feOA:1605205833798&source=lnms&tbm=isch&sa=X&ved=2ahUKEwiE447c0f3sAhVVVTUKHfceDoAQ_AUoAnoECA4QBA&biw=1200&bih=1777 (Year: 2020).*

* cited by examiner

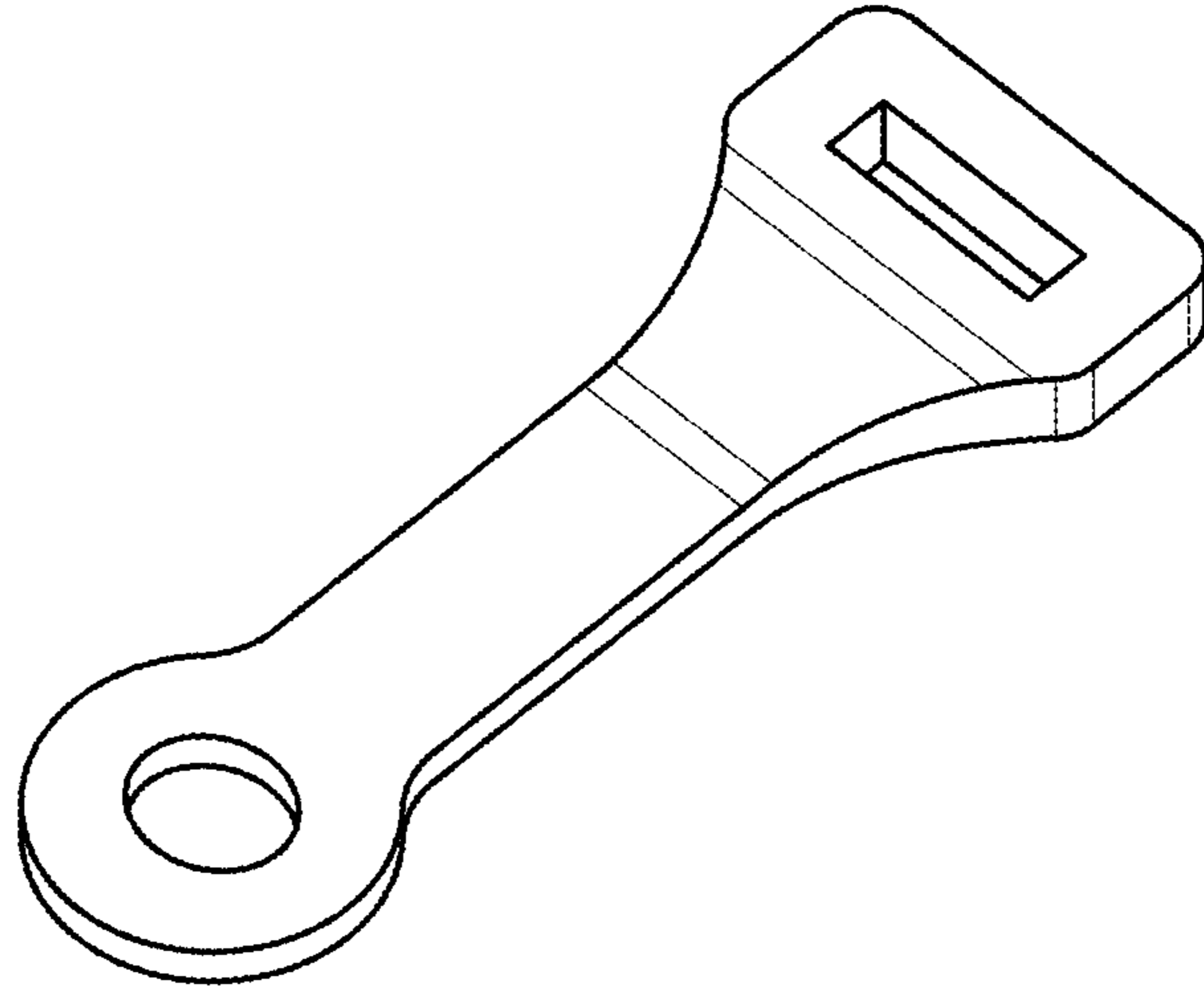


FIG.1

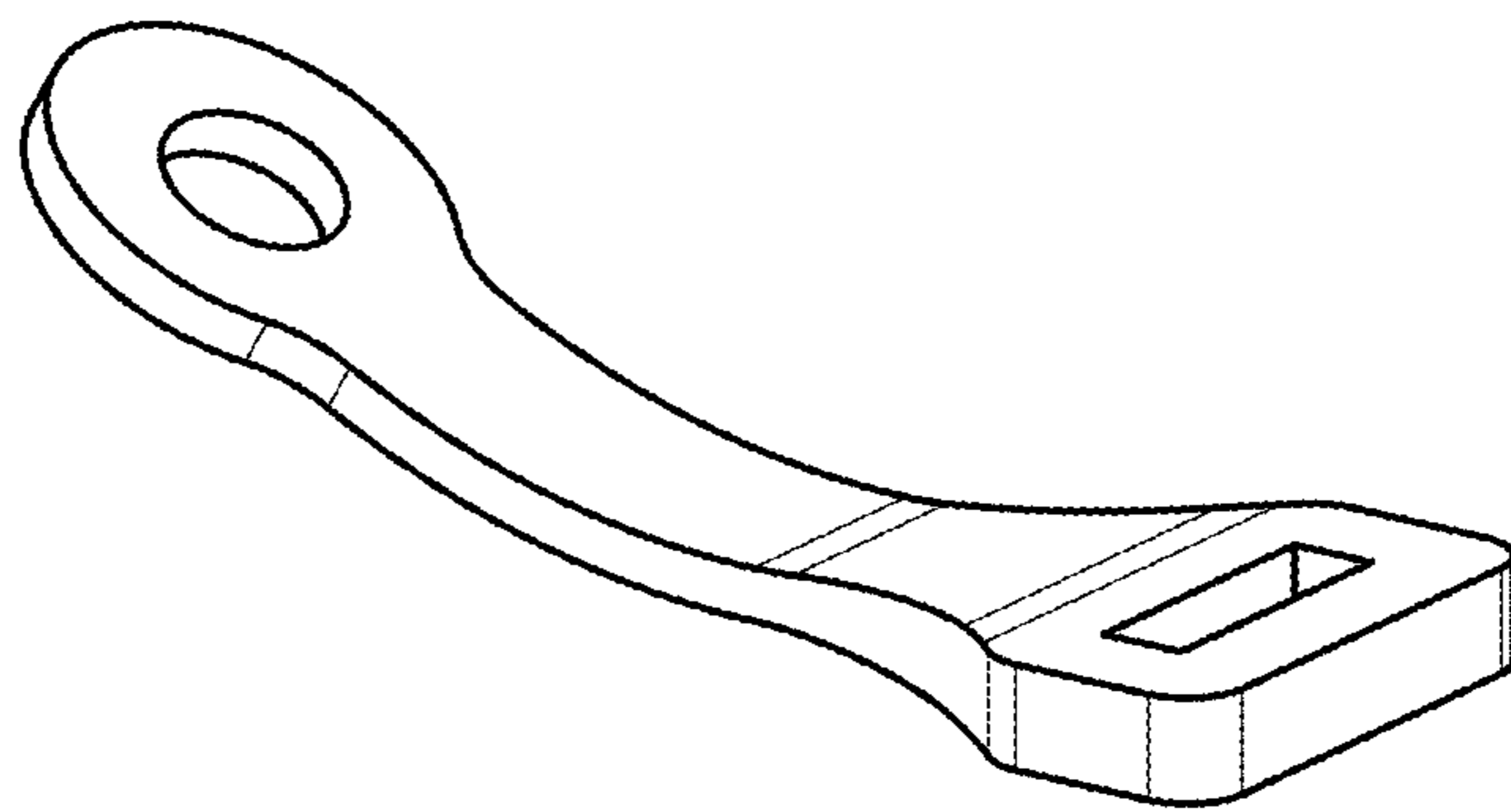


FIG.2

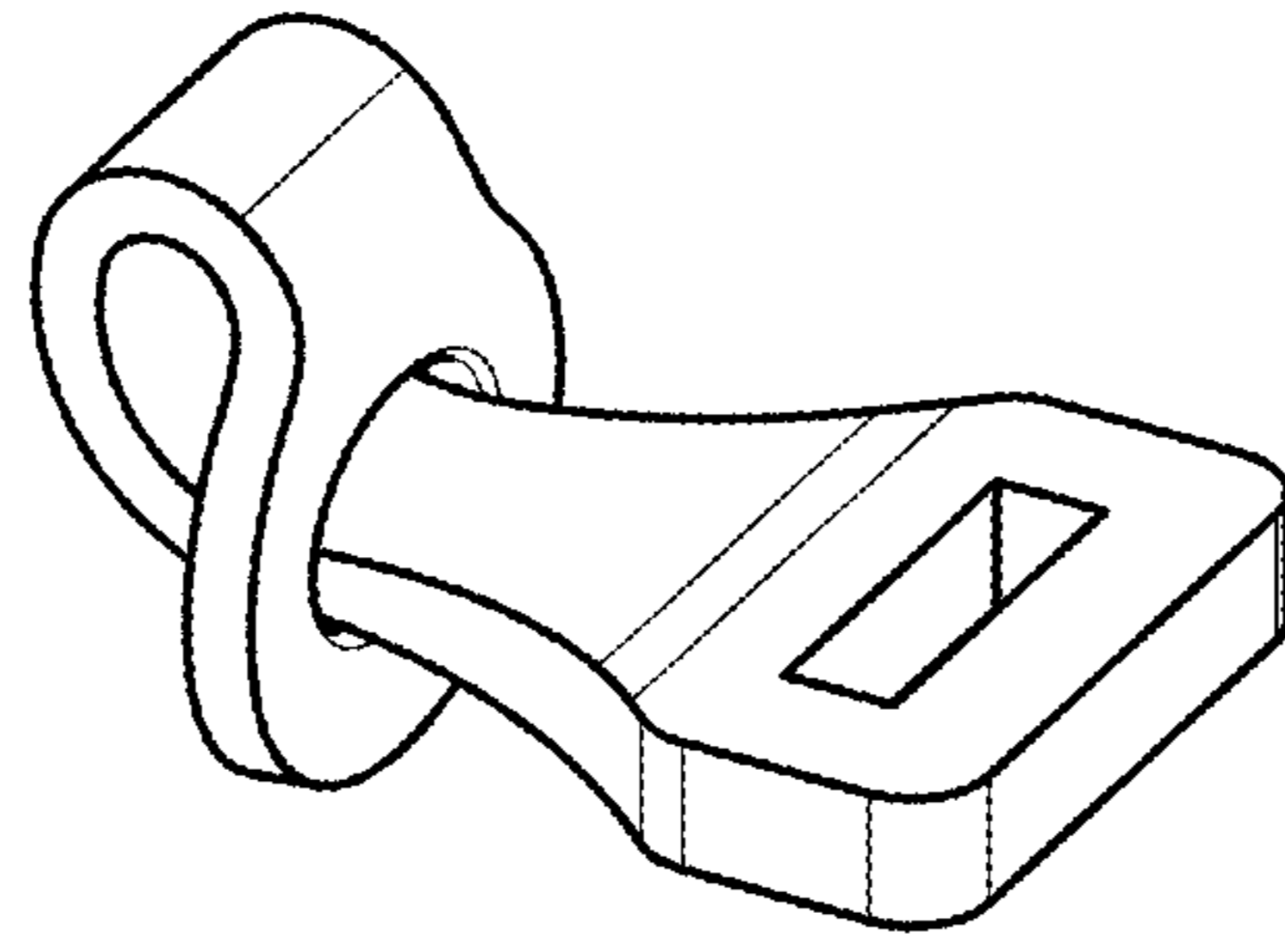


FIG.3

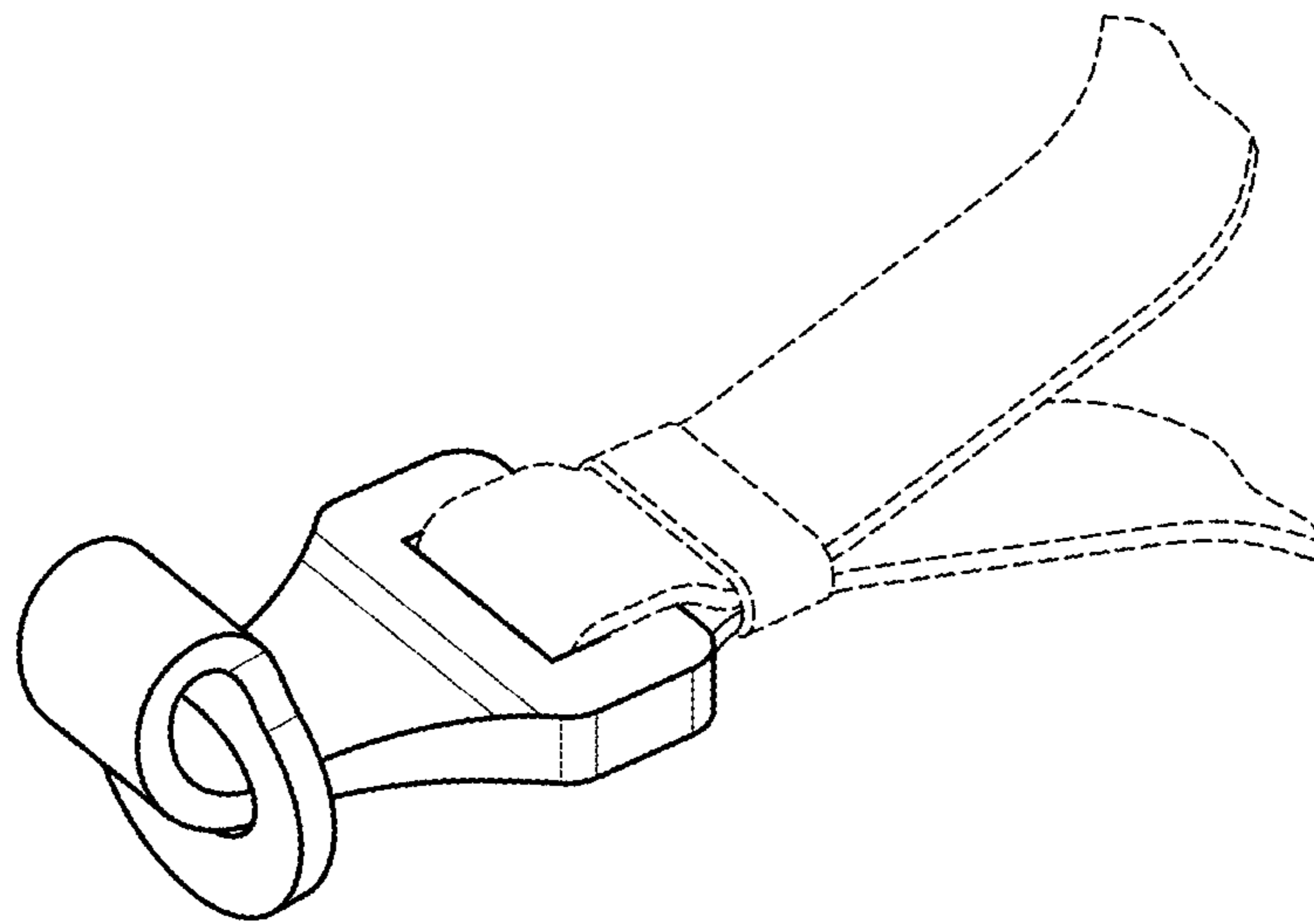


FIG.4

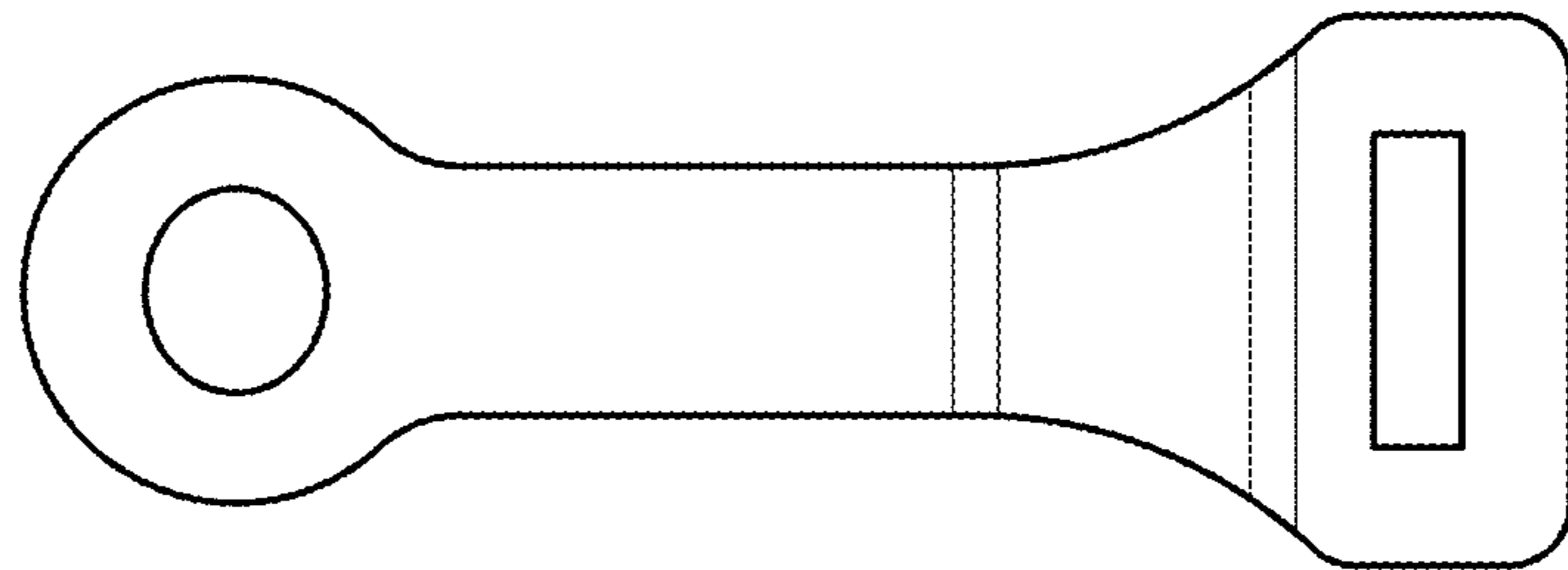


FIG. 5

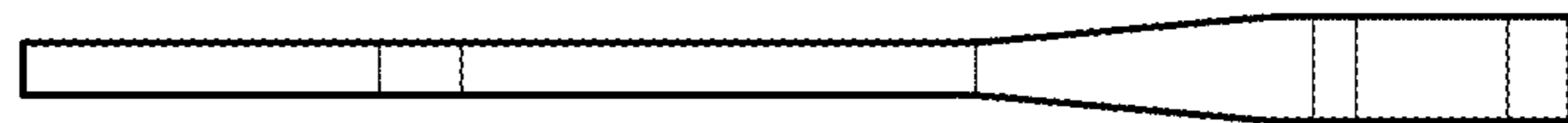


FIG. 6

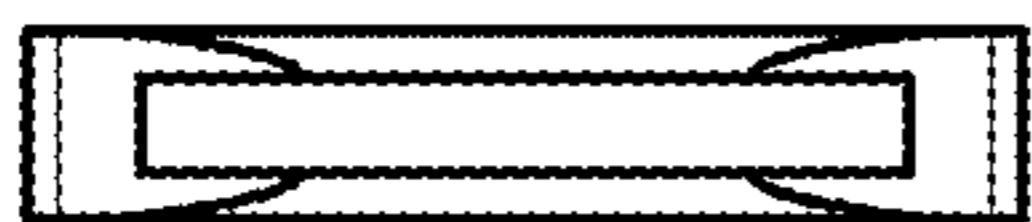


FIG. 7



FIG. 8