



US00D952024S

(12) **United States Design Patent**  
**Yamamoto et al.**

(10) **Patent No.:** **US D952,024 S**  
(45) **Date of Patent:** **\*\* May 17, 2022**

(54) **PROJECTOR**

(71) Applicant: **CASIO KEISANKI KABUSHIKI KAISHA**, Tokyo (JP)

(72) Inventors: **Hirotsugu Yamamoto**, Tokyo (JP);  
**Susumu Kamiya**, Kanagawa (JP);  
**Akihiro Miyahara**, Tokyo (JP)

(73) Assignee: **CASIO KEISANKI KABUSHIKI KAISHA**, Tokyo (JP)

(\*\*) Term: **15 Years**

(21) Appl. No.: **29/750,512**

(22) Filed: **Sep. 14, 2020**

(30) **Foreign Application Priority Data**

Mar. 16, 2020 (JP) ..... 2020-005134 D

(51) **LOC (13) Cl.** ..... **16-02**

(52) **U.S. Cl.**  
USPC ..... **D16/230**

(58) **Field of Classification Search**  
USPC ..... D16/221, 225, 230-231, 234; D21/514  
CPC ..... G03B 21/145; G03B 21/16; G03B 21/00;  
G03B 21/003; G03B 21/12; G03B 21/14  
See application file for complete search history.

(56) **References Cited**

**U.S. PATENT DOCUMENTS**

D555,185 S \* 11/2007 Nozue ..... D16/225  
7,726,820 B2 \* 6/2010 Hara ..... G03B 21/16  
353/119

D633,125 S \* 2/2011 Han ..... D16/230  
7,922,334 B2 \* 4/2011 Zheng ..... G03B 21/16  
353/58  
D637,642 S \* 5/2011 Lim ..... D16/230  
D666,661 S \* 9/2012 Hong ..... D16/230  
D691,189 S \* 10/2013 Zhao ..... D16/230  
D831,096 S \* 10/2018 Gao ..... D16/230

\* cited by examiner

*Primary Examiner* — Wan Laymon

(74) *Attorney, Agent, or Firm* — Holtz, Holtz & Volek PC

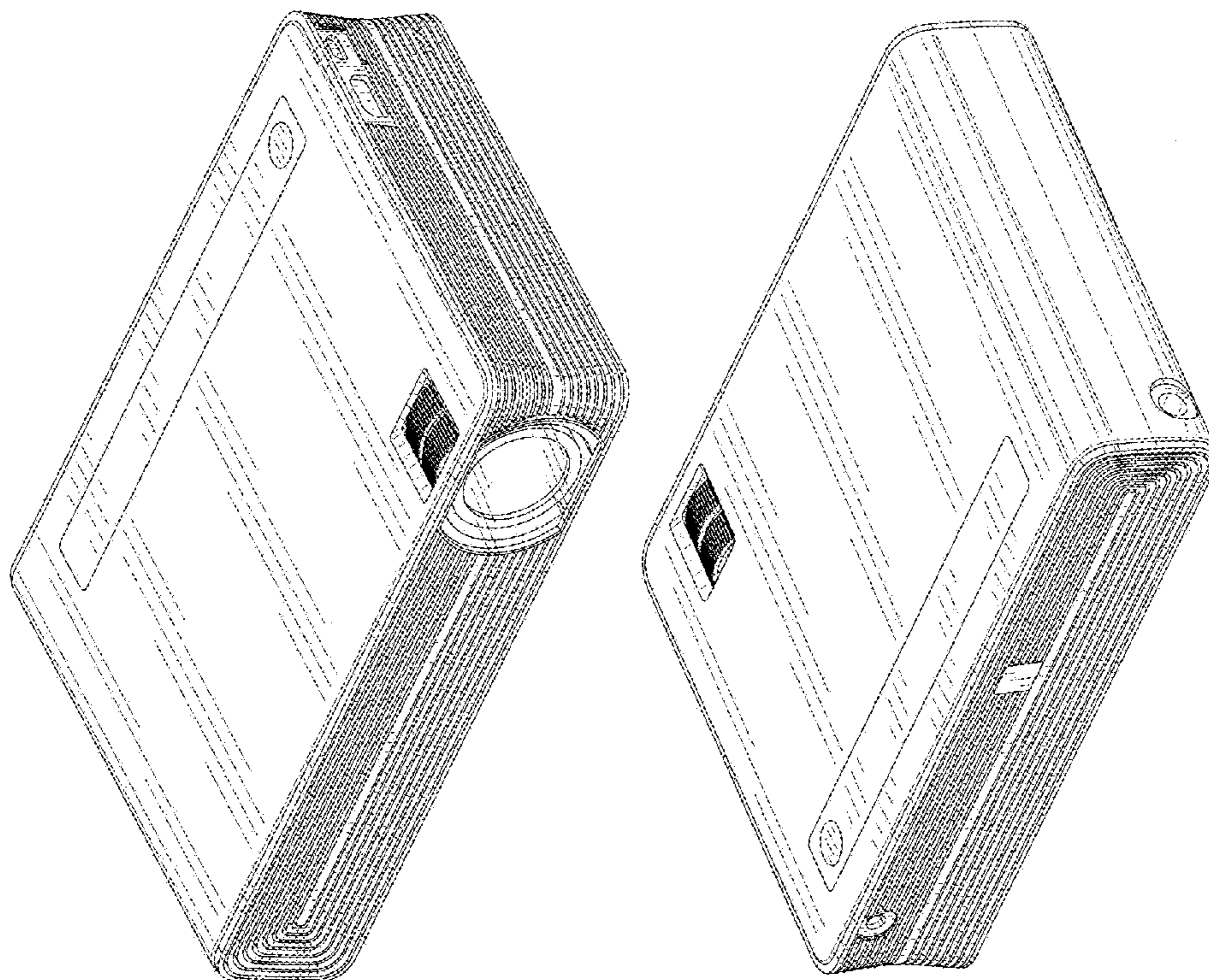
(57) **CLAIM**

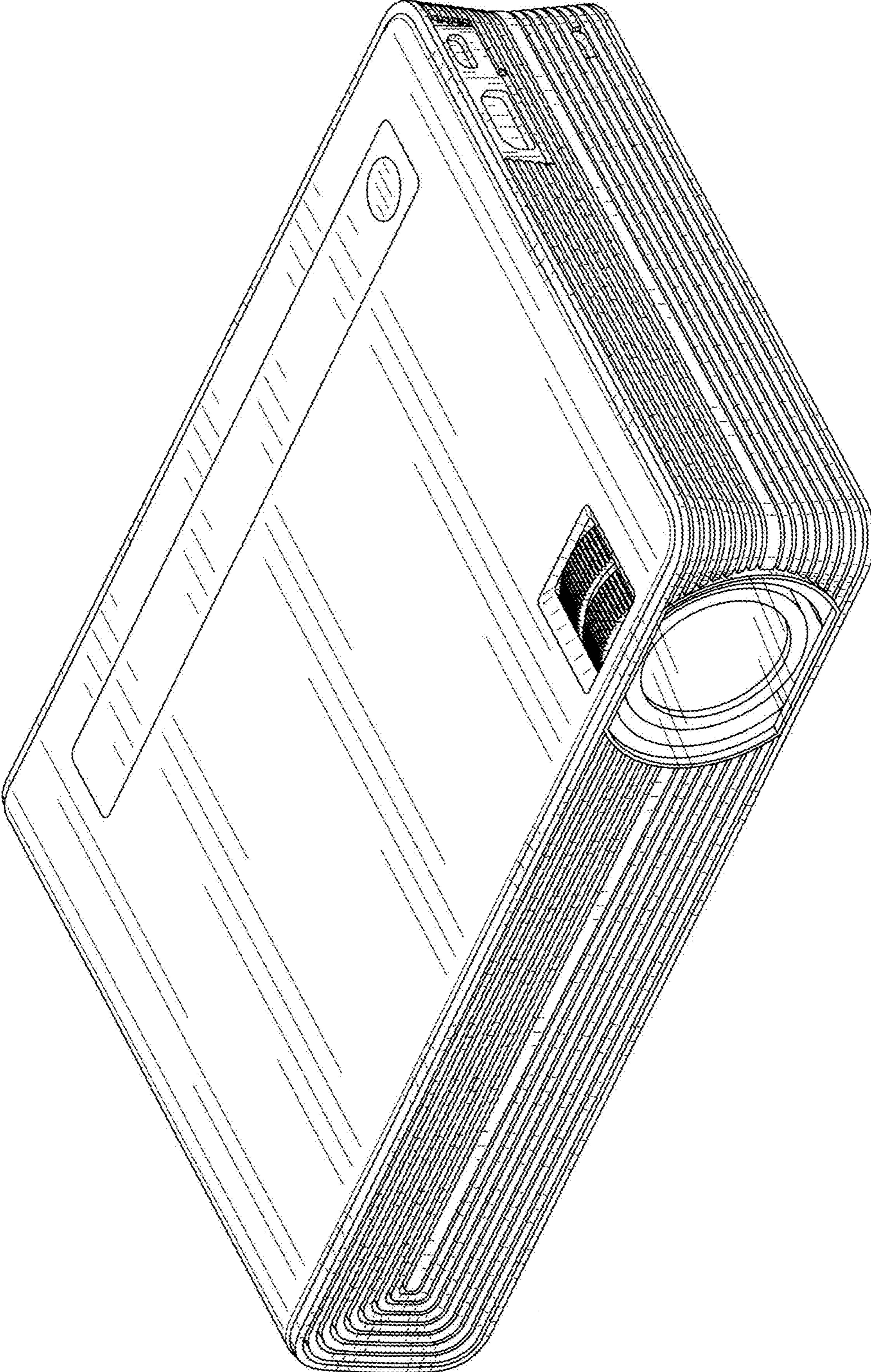
The ornamental design for a projector, as shown and described.

**DESCRIPTION**

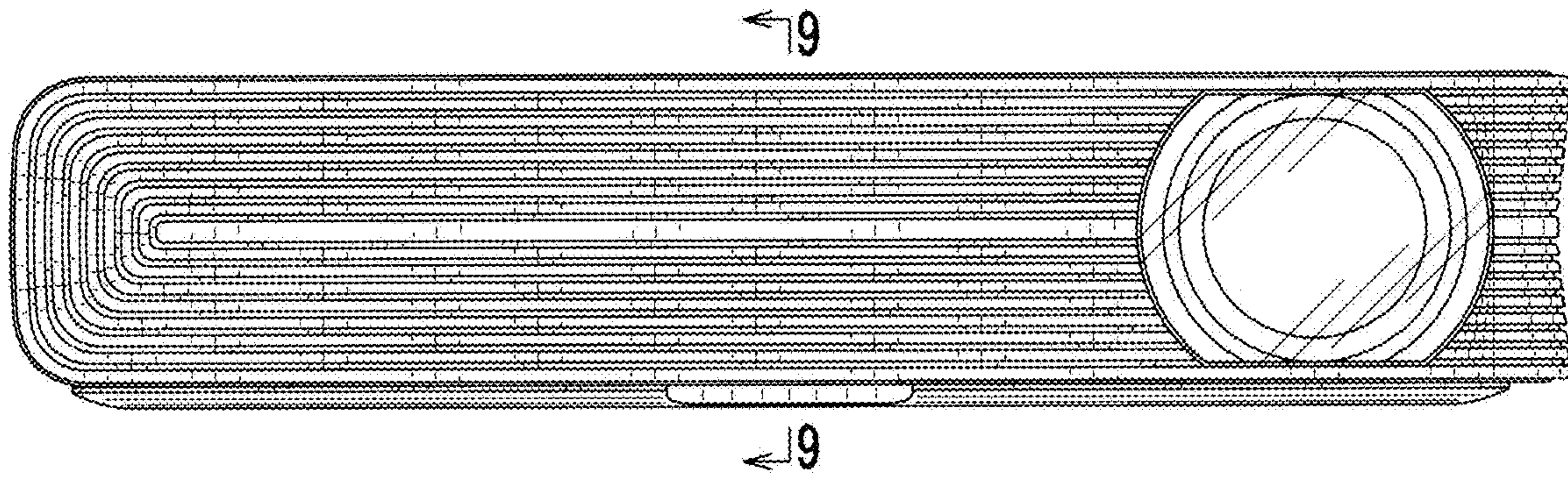
FIG. 1 is a front, right side, top perspective view of a projector showing our new design; FIG. 2 is a front elevational view thereof; FIG. 3 is a rear elevational view thereof; FIG. 4 is a left side view thereof; FIG. 5 is a right side view thereof; FIG. 6 a top plan view thereof; FIG. 7 is a bottom plan view thereof; FIG. 8 is a rear, left side, top perspective view thereof; FIG. 9 is cross sectional view thereof, taken in the direction of line 9-9 in FIG. 2 (an internal mechanism is omitted); and, FIG. 10 is a partially enlarged view within an area indicated by quadrangle 10 in FIG. 5 thereof.

**1 Claim, 7 Drawing Sheets**

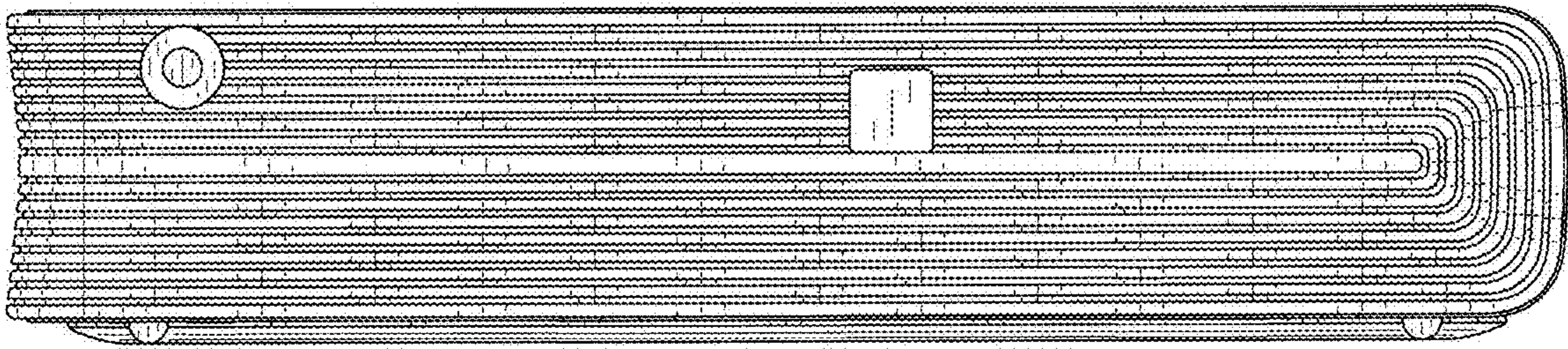




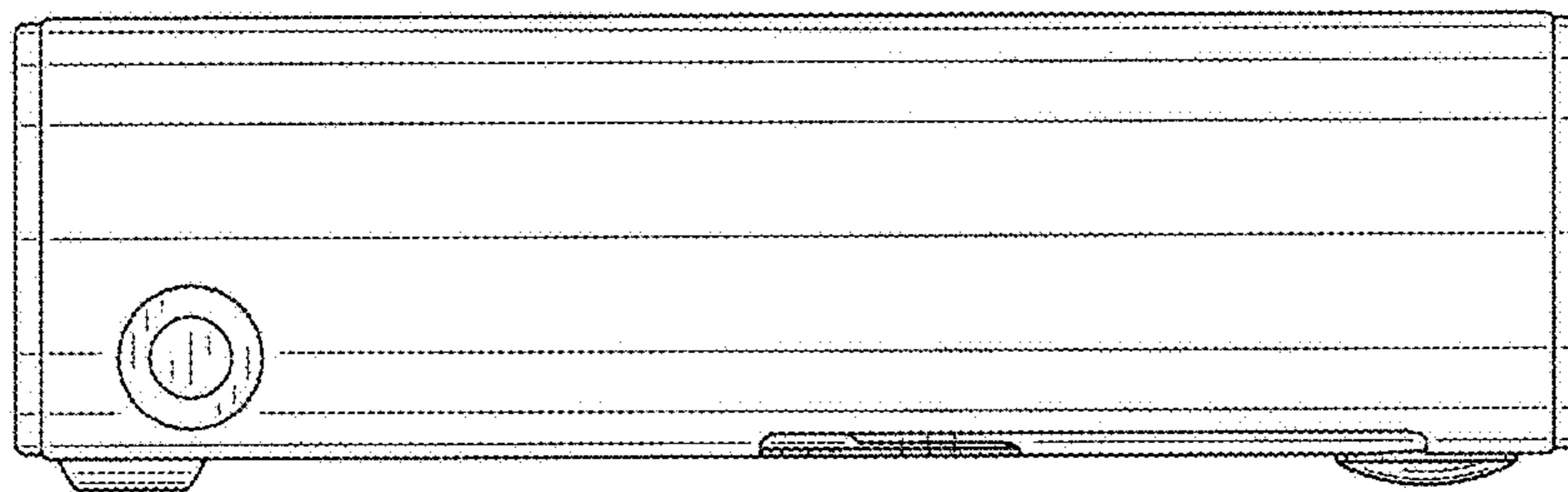
**FIG. 1**



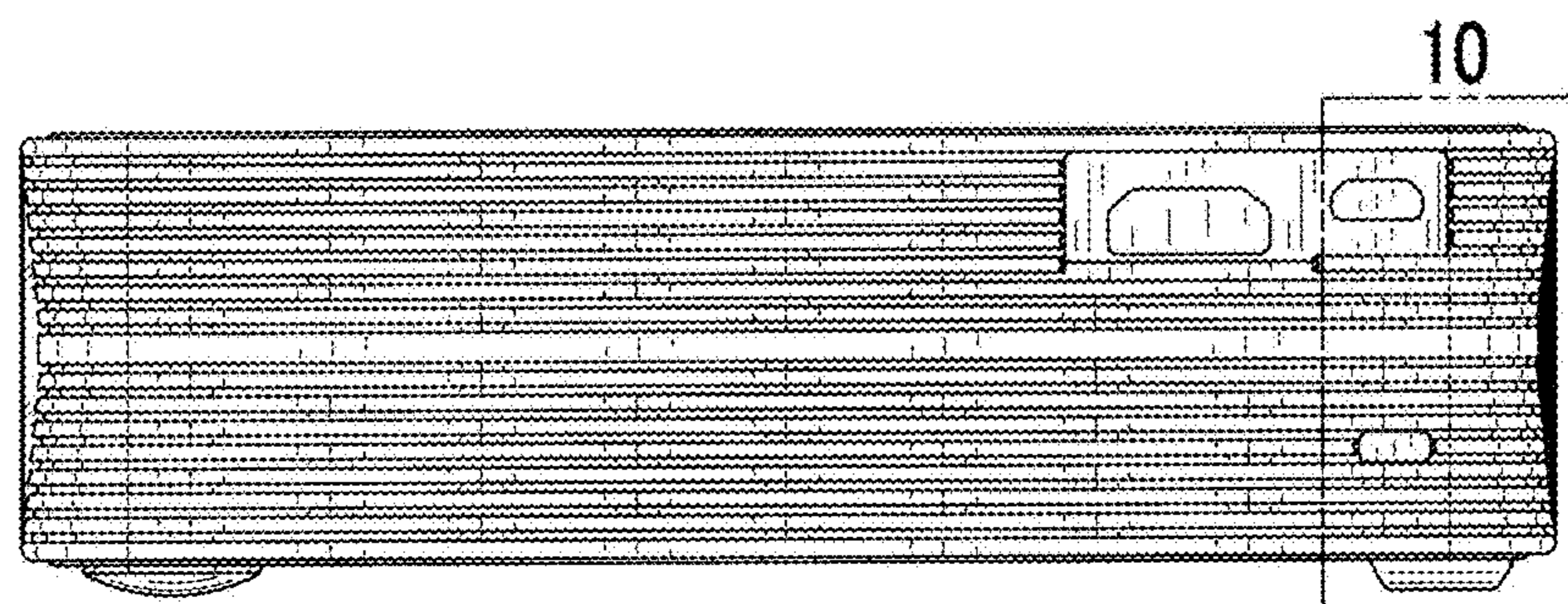
**FIG. 2**



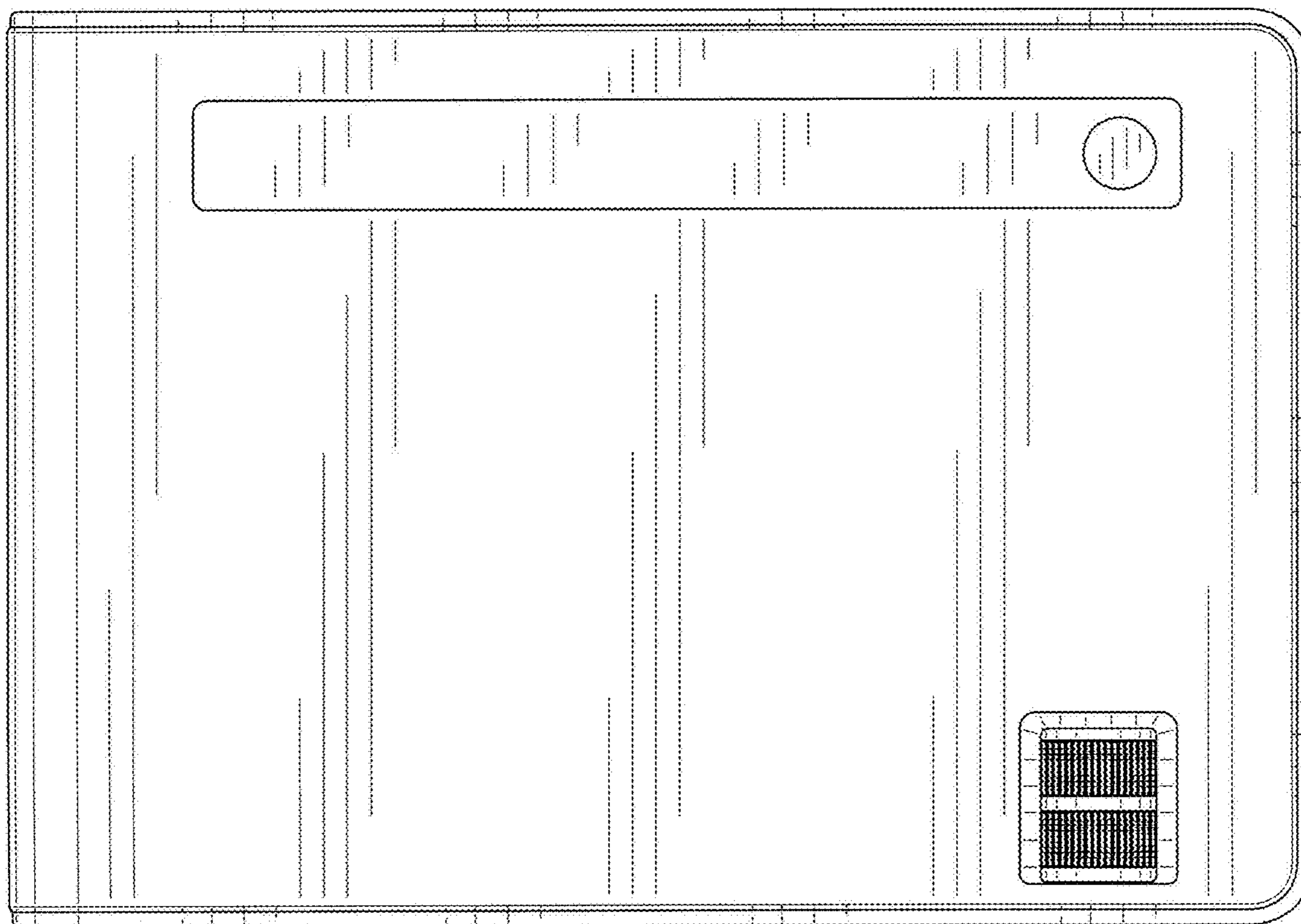
**FIG. 3**



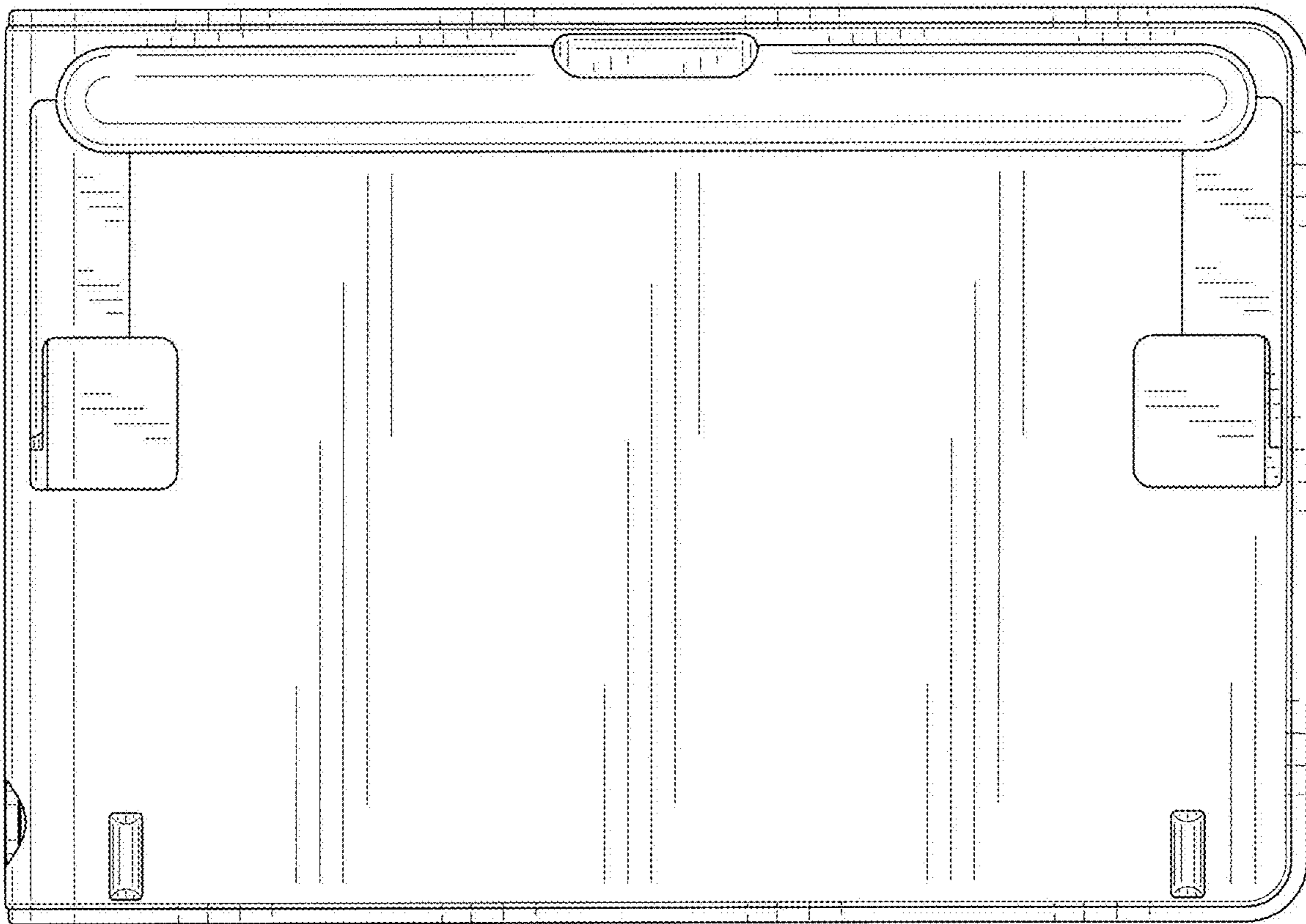
**FIG. 4**



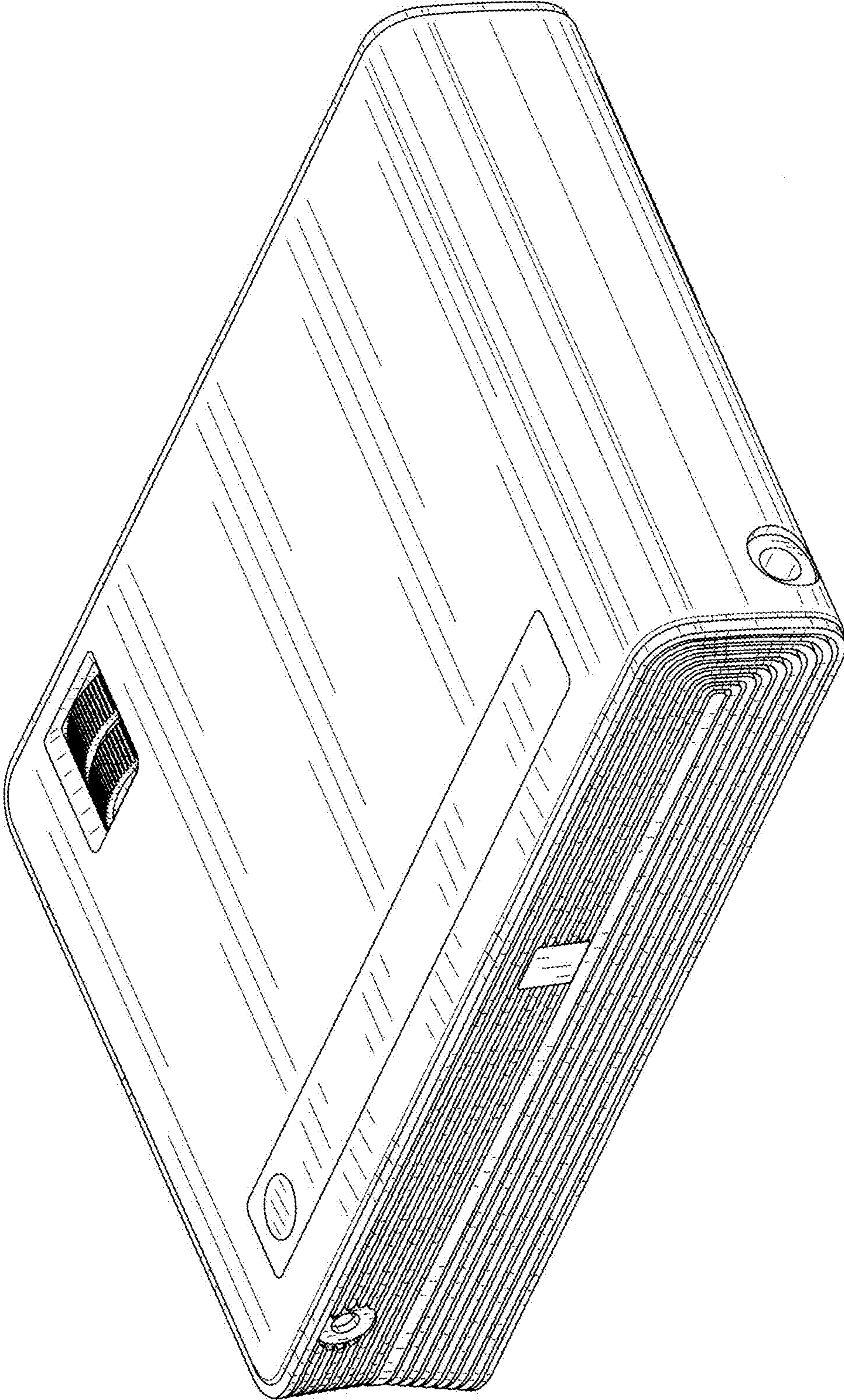
**FIG. 5**



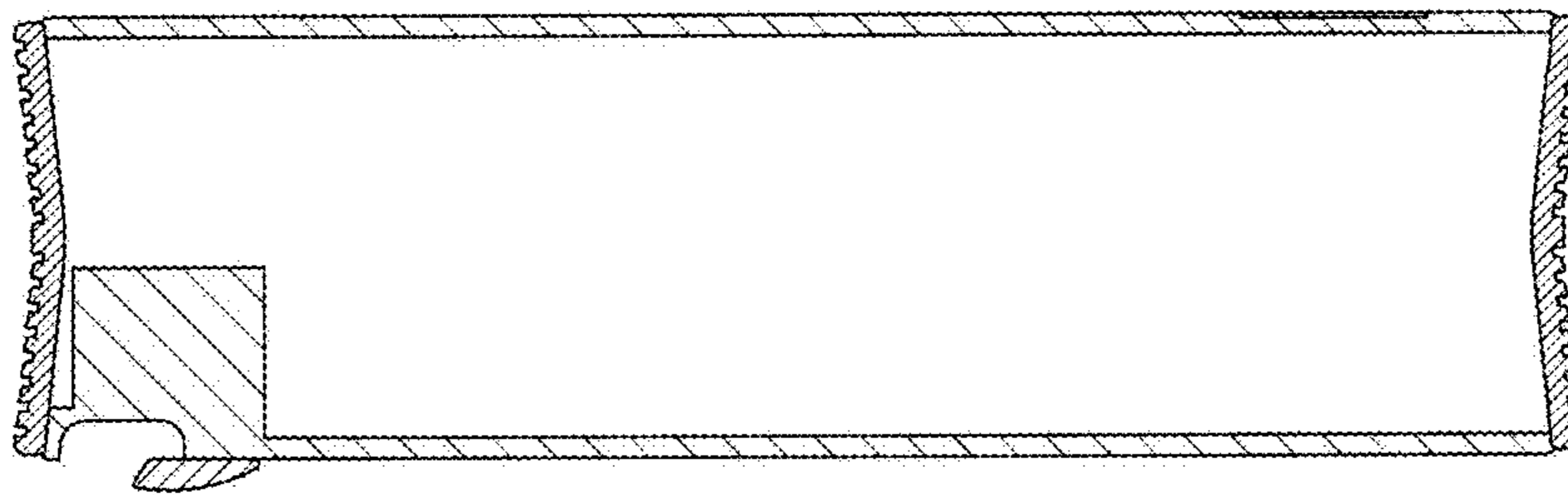
**FIG. 6**



**FIG. 7**



**FIG. 8**



**FIG. 9**

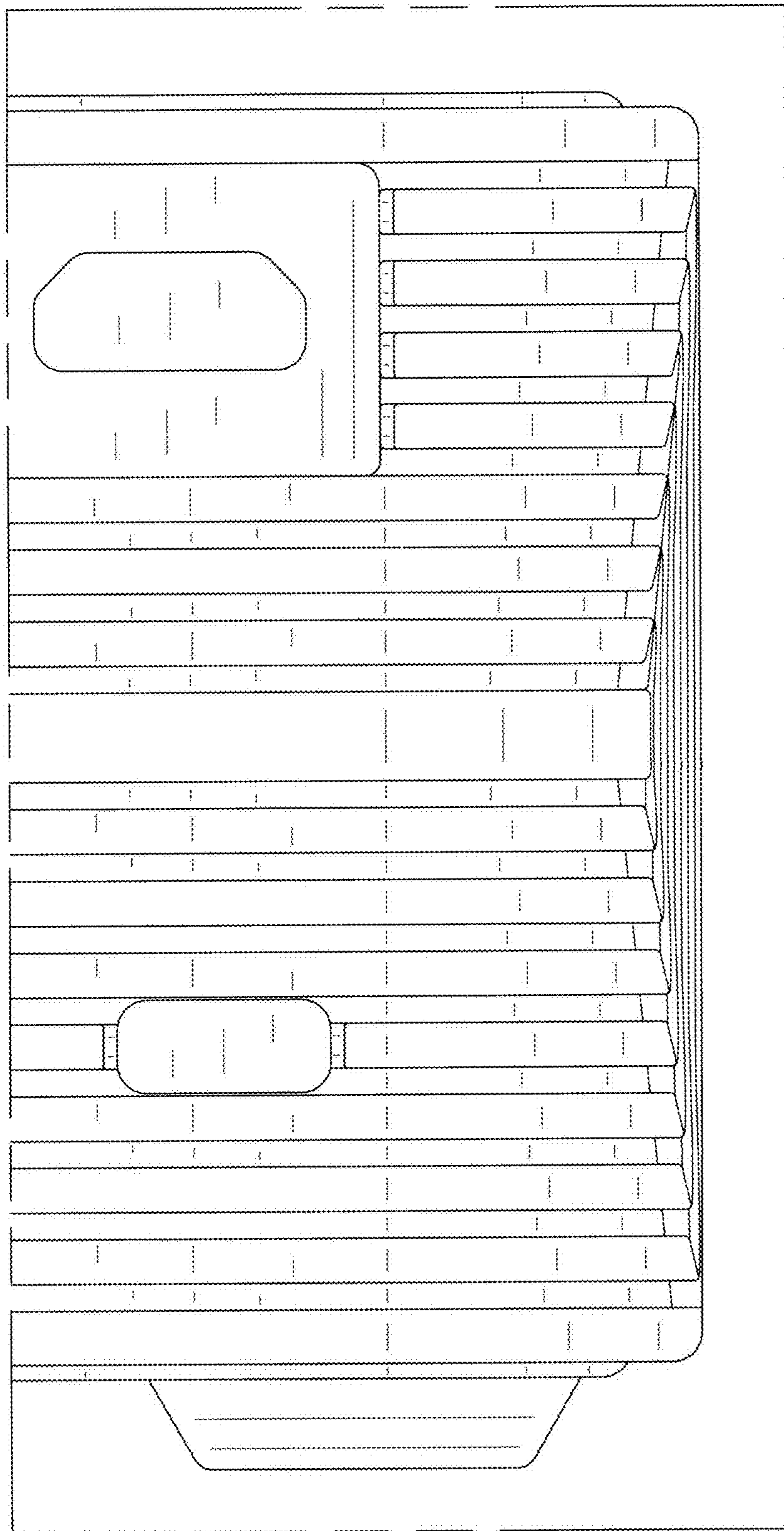


FIG. 10