



US00D952022S

(12) **United States Design Patent**
Yang

(10) **Patent No.:** **US D952,022 S**

(45) **Date of Patent:** **** May 17, 2022**

(54) **SECURITY CAMERA**

(71) Applicant: **Baoshi Technology (Shenzhen) Co., Ltd.**, Shenzhen (CN)

(72) Inventor: **Junjie Yang**, Shenzhen (CN)

(**) Term: **15 Years**

(21) Appl. No.: **29/787,407**

(22) Filed: **Jun. 7, 2021**

(51) **LOC (13) Cl.** **16-01**

(52) **U.S. Cl.**
USPC **D16/203**

(58) **Field of Classification Search**
USPC D16/200, 202–206, 218, 219, 242;
348/143, 148, 151, 373–376; 396/419,
396/427, 535, 539–541
CPC G03B 17/02; G03B 19/04; G03B 17/56;
G03B 17/04; G03B 15/03; H04N 5/2251;
H04N 5/2252; H04N 5/2253; H04N
5/2254; H04N 7/181; H04N 7/183; H04N
7/18; G08B 13/1963; G08B 13/19619;
G08B 13/19632; F16M 11/04; F16M
13/00

See application file for complete search history.

(56) **References Cited**

U.S. PATENT DOCUMENTS

D424,087 S * 5/2000 Frick 396/427
D461,485 S * 8/2002 Jones 396/427
7,306,383 B2 * 12/2007 Jones G08B 13/19619
348/373
D651,068 S * 12/2011 Kang D8/363

D701,258 S * 3/2014 Huang D16/203
D734,379 S * 7/2015 Tankersley D16/203
D818,026 S * 5/2018 Ravat D16/203
D824,446 S * 7/2018 Ravat D16/203
D824,447 S * 7/2018 Li D16/203
D863,399 S * 10/2019 Li D16/203
D874,550 S 2/2020 Loew et al.
D890,831 S 7/2020 Zheng et al.
D901,571 S * 11/2020 Liu D16/203
D908,765 S 1/2021 Wang
D924,961 S * 7/2021 Xu D16/203
2013/0286280 A1 * 10/2013 Siann H01L 31/0504
348/372

* cited by examiner

Primary Examiner — Ramzi Almatrahi

(57) **CLAIM**

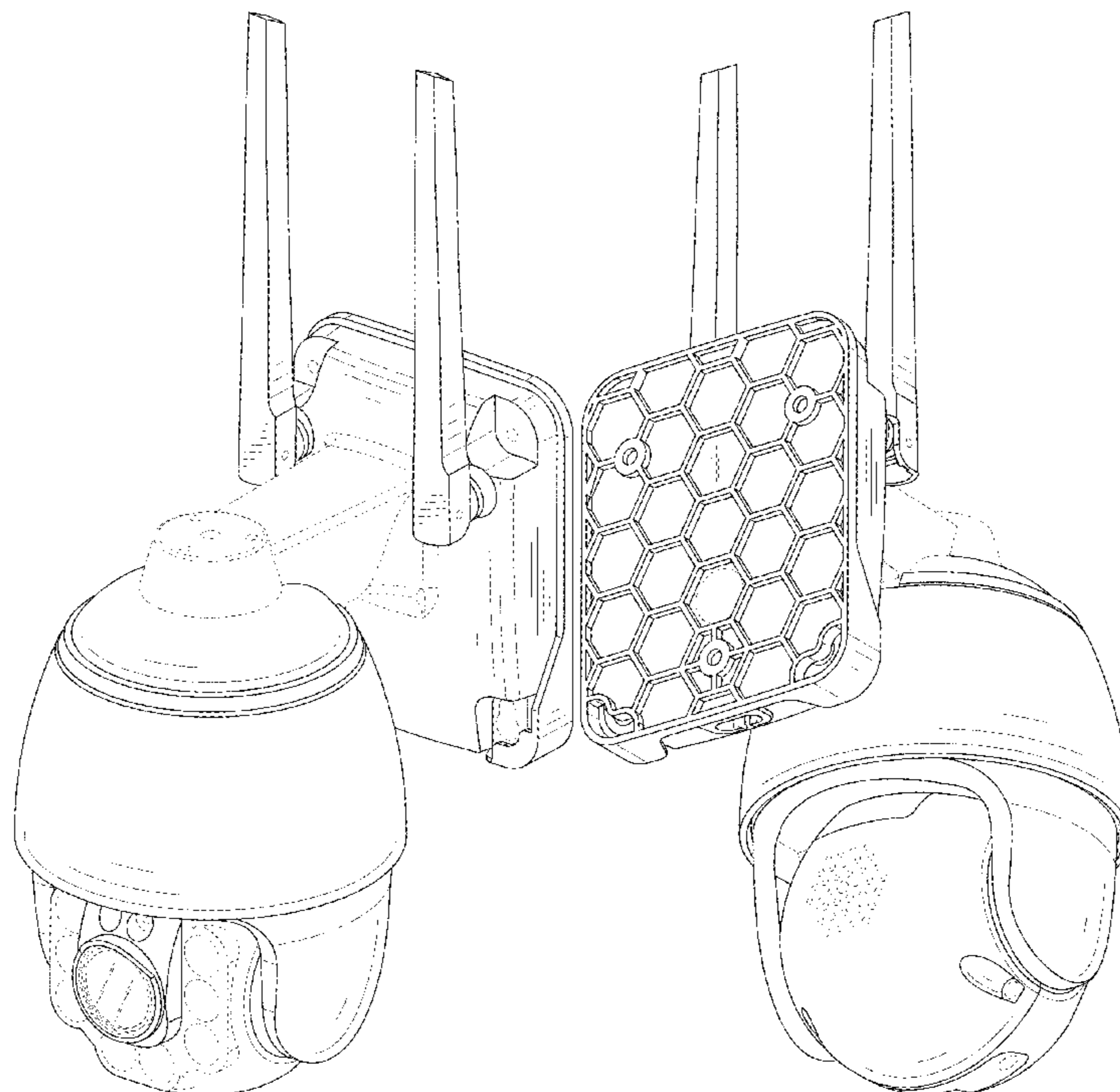
The ornamental design for a security camera, as shown and described.

DESCRIPTION

FIG. 1 is a top, front and right side perspective view of a security camera showing my new design;
FIG. 2 is a bottom, back and left side perspective view thereof;
FIG. 3 is a front elevation view thereof;
FIG. 4 is a back elevation view thereof;
FIG. 5 is a left side elevation view thereof;
FIG. 6 is a right side elevation view thereof;
FIG. 7 is a top plan view thereof; and,
FIG. 8 is a bottom plan view thereof.

The broken lines, shown in the drawings depict portions of the security camera in which the design is embodied that form no part of the claimed design.

1 Claim, 8 Drawing Sheets



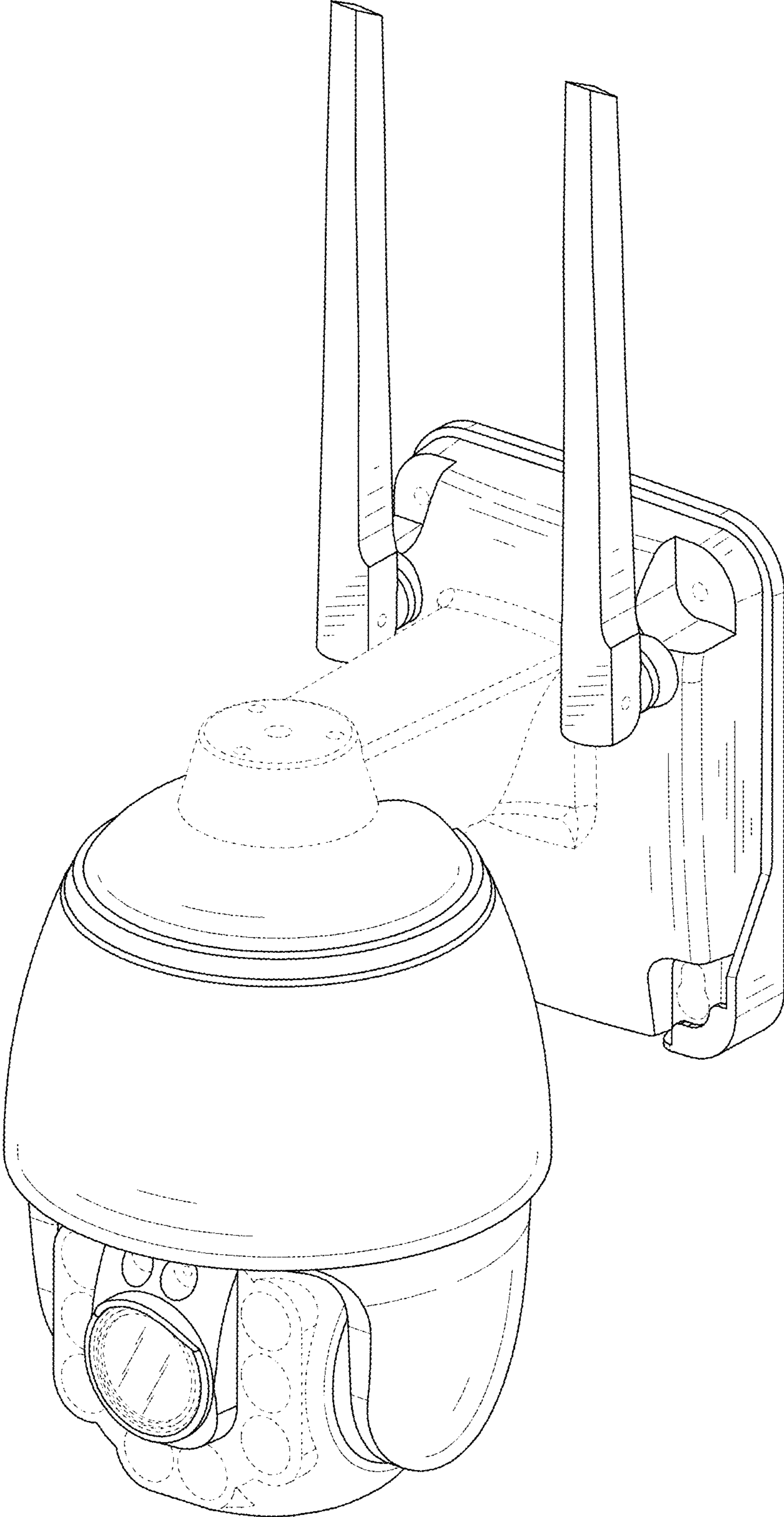


FIG. 1

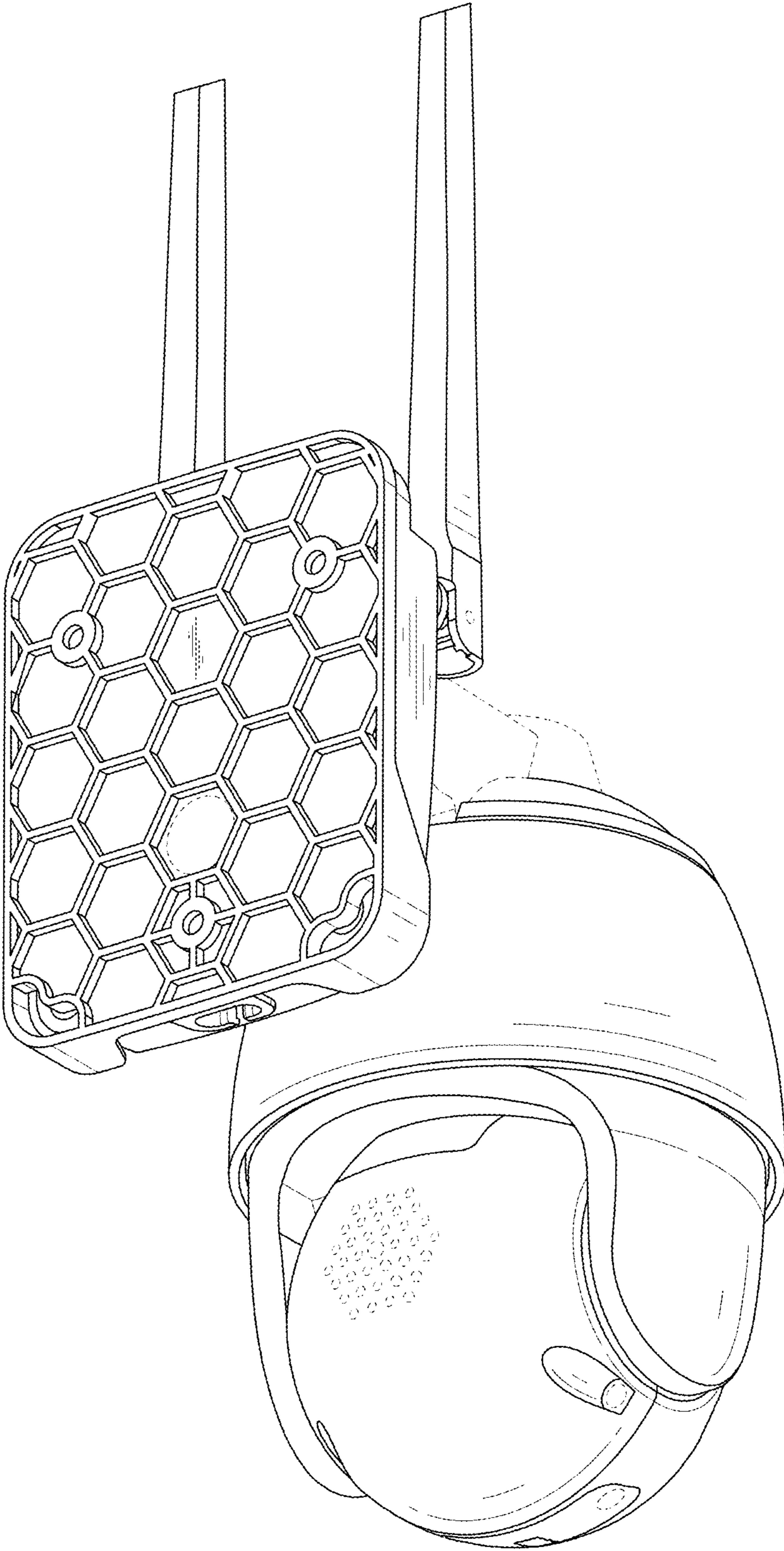


FIG. 2

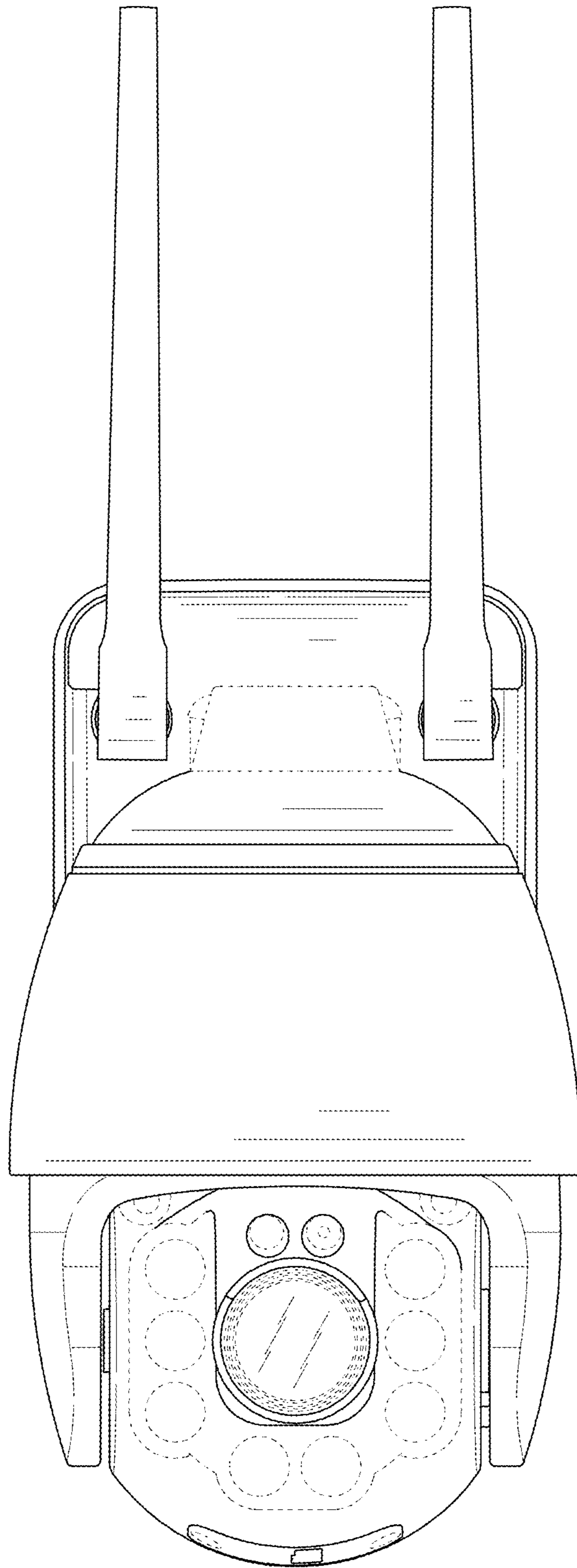


FIG. 3

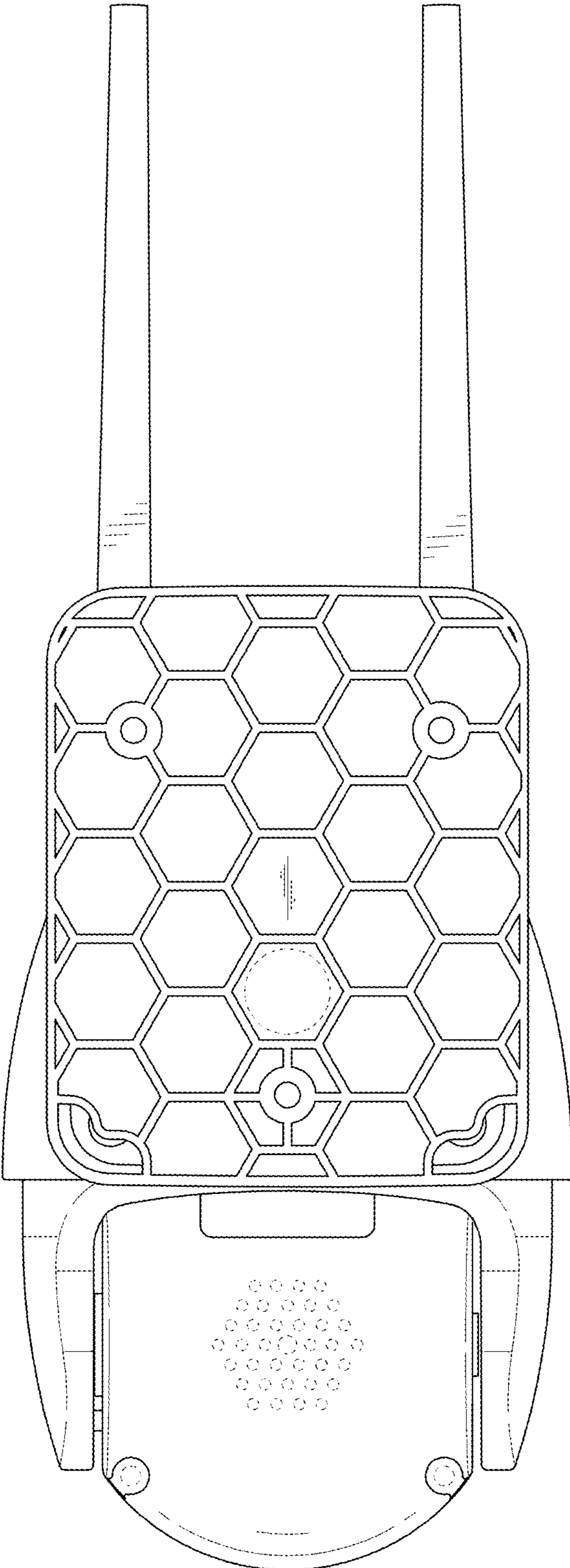


FIG. 4

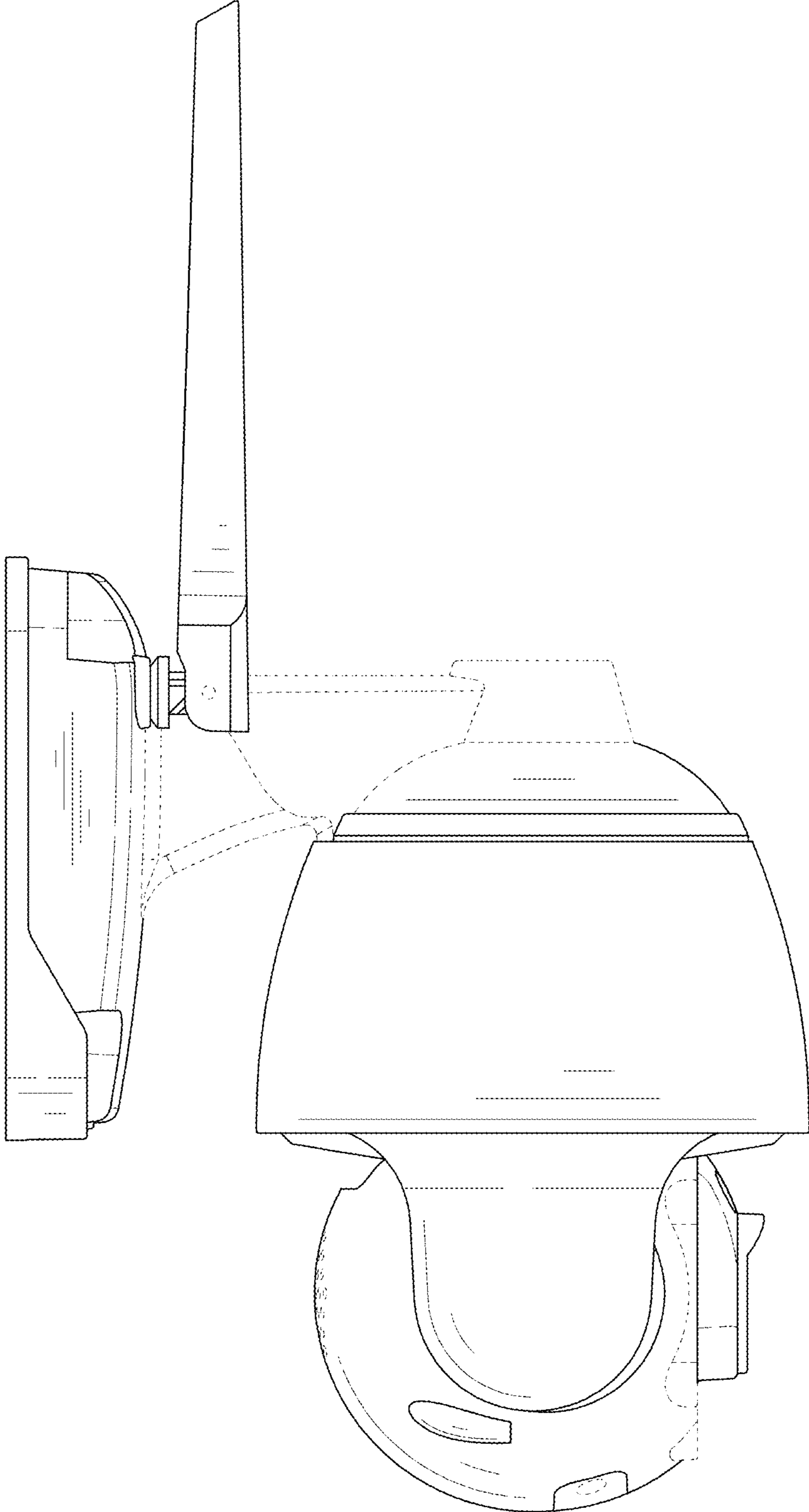


FIG. 5

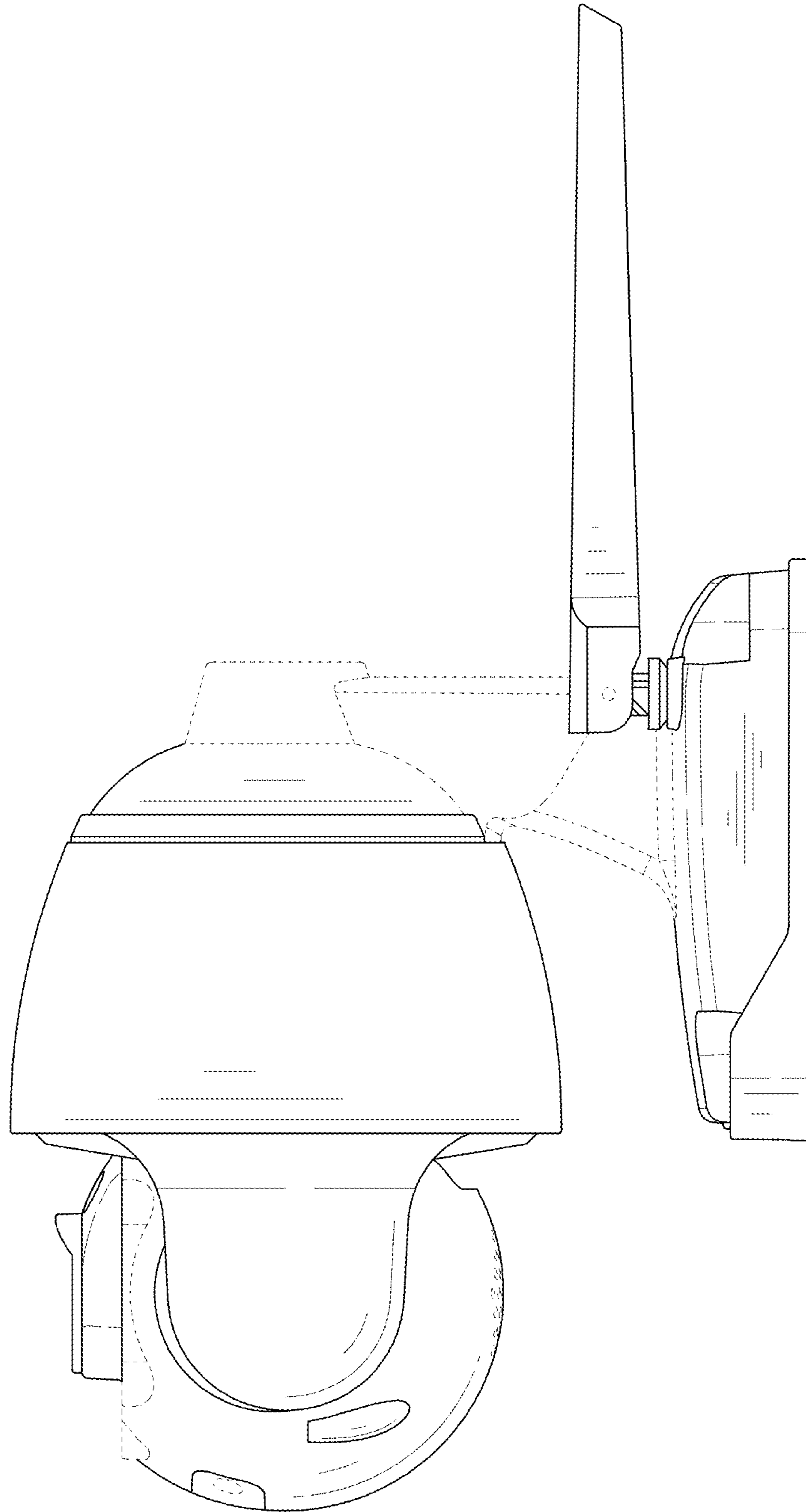


FIG. 6

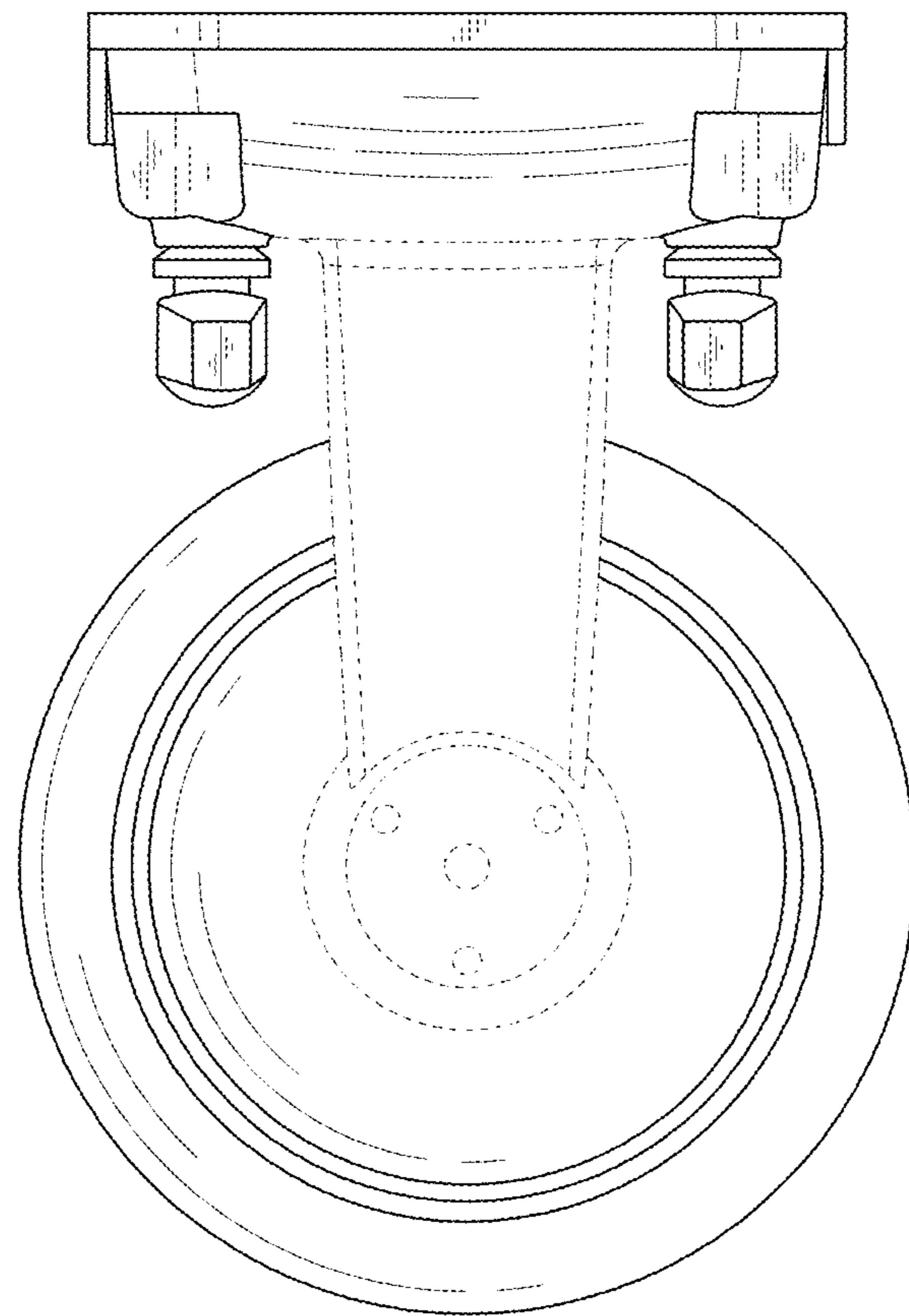


FIG. 7

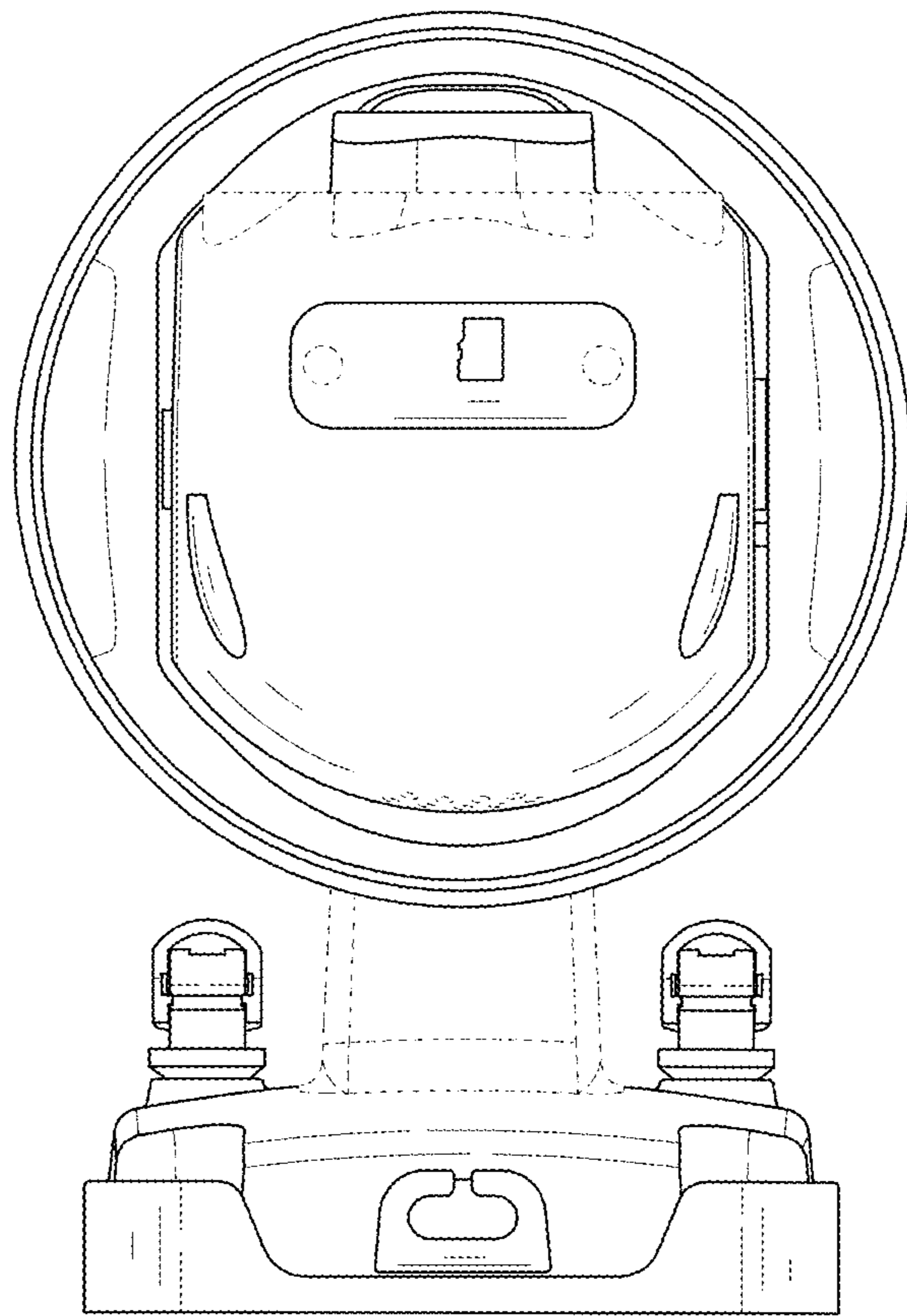


FIG. 8