



US00D952021S

(12) **United States Design Patent**
Tian

(10) **Patent No.:** **US D952,021 S**

(45) **Date of Patent:** **** May 17, 2022**

(54) **CHILDREN'S CAMERA**

(71) Applicant: **Jing Tian**, Xiaogan (CN)

(72) Inventor: **Jing Tian**, Xiaogan (CN)

(**) Term: **15 Years**

(21) Appl. No.: **29/794,294**

(22) Filed: **Jun. 11, 2021**

(51) **LOC (13) Cl.** **16-01**

(52) **U.S. Cl.**
USPC **D16/202; D21/514**

(58) **Field of Classification Search**
USPC D16/200, 202–206, 208, 218, 219;
D21/514; 348/373–376; 396/535,
396/539–541
CPC G03B 15/03; G03B 17/02; G03B 17/04;
G03B 17/56; G03B 19/04; H04N 5/2251;
H04N 5/2252; H04N 5/2253; H04N
5/2254; H04N 2101/00

See application file for complete search history.

(56) **References Cited**

U.S. PATENT DOCUMENTS

D282,932 S * 3/1986 Maitani D16/217
D449,327 S * 10/2001 Haga D16/217
D581,440 S * 11/2008 Nakamura D16/217

D609,730 S * 2/2010 Nakamura D16/217
D795,325 S * 8/2017 Germade D16/202
D797,837 S * 9/2017 Osada D16/219
D823,921 S * 7/2018 Imai D16/218
D849,087 S 5/2019 Li
D875,802 S * 2/2020 Jin D16/202
D883,356 S * 5/2020 Ikegame D16/202

* cited by examiner

Primary Examiner — Ramzi Almatrahi

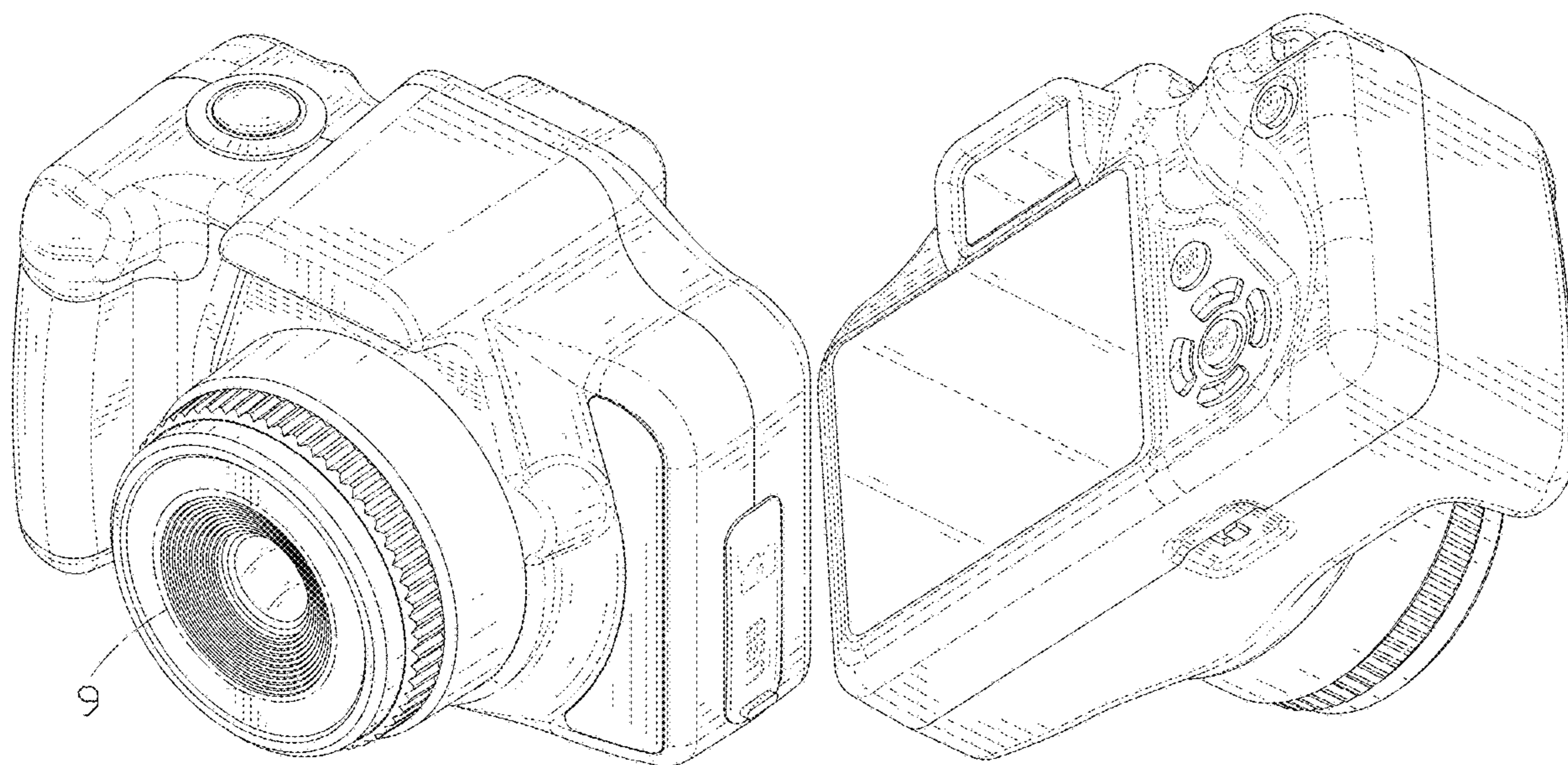
(57) **CLAIM**

The ornamental design for a children's camera, as shown and described.

DESCRIPTION

FIG. 1 is a front and top perspective view of a children's camera, showing my new design;
FIG. 2 is a rear and bottom perspective view thereof;
FIG. 3 is a front elevation view thereof;
FIG. 4 is a rear elevation view thereof;
FIG. 5 is a left side elevation view thereof;
FIG. 6 is a right side elevation view thereof;
FIG. 7 is a top plan view thereof;
FIG. 8 is a bottom plan view thereof; and,
FIG. 9 is an enlarged view of portion 9 shown in FIG. 1. The broken lines depict portions of the children's camera in which the design is embodied that form no part of the claimed design. The dot-dash broken lines in FIGS. 1 and 9 encircling an enlargement portion of the design forms no part of the claimed design.

1 Claim, 9 Drawing Sheets



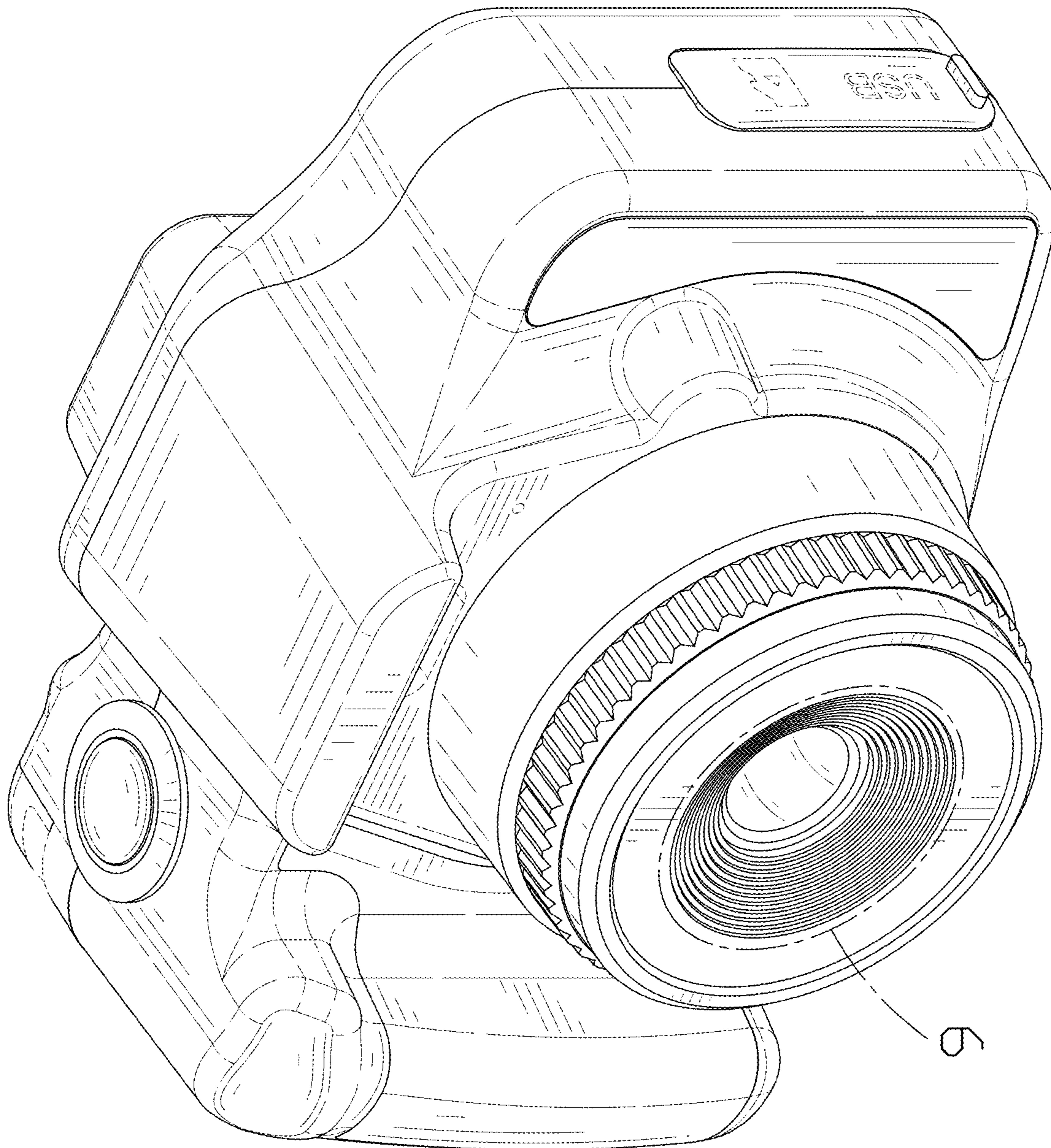


FIG. 1

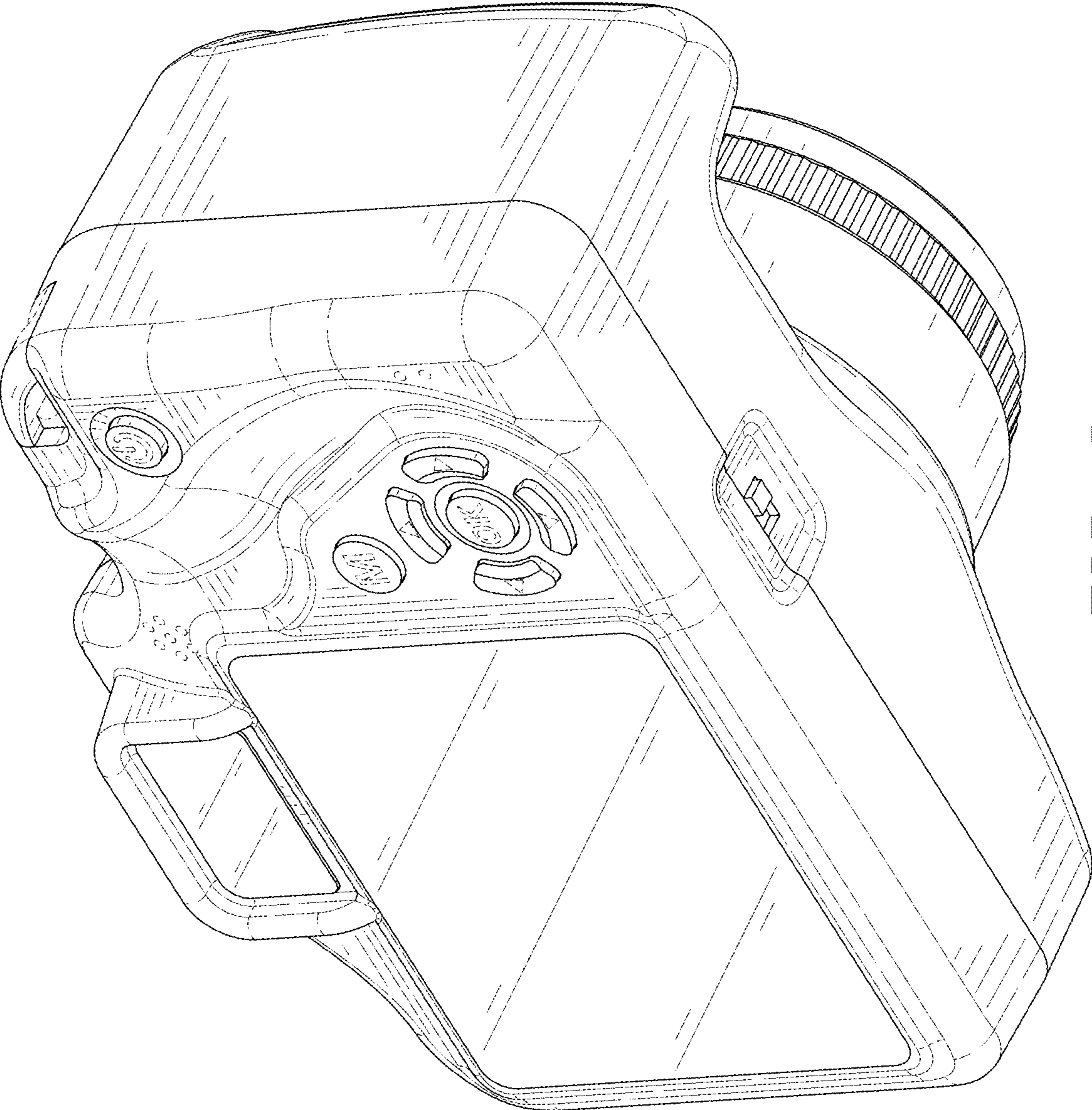


FIG. 2

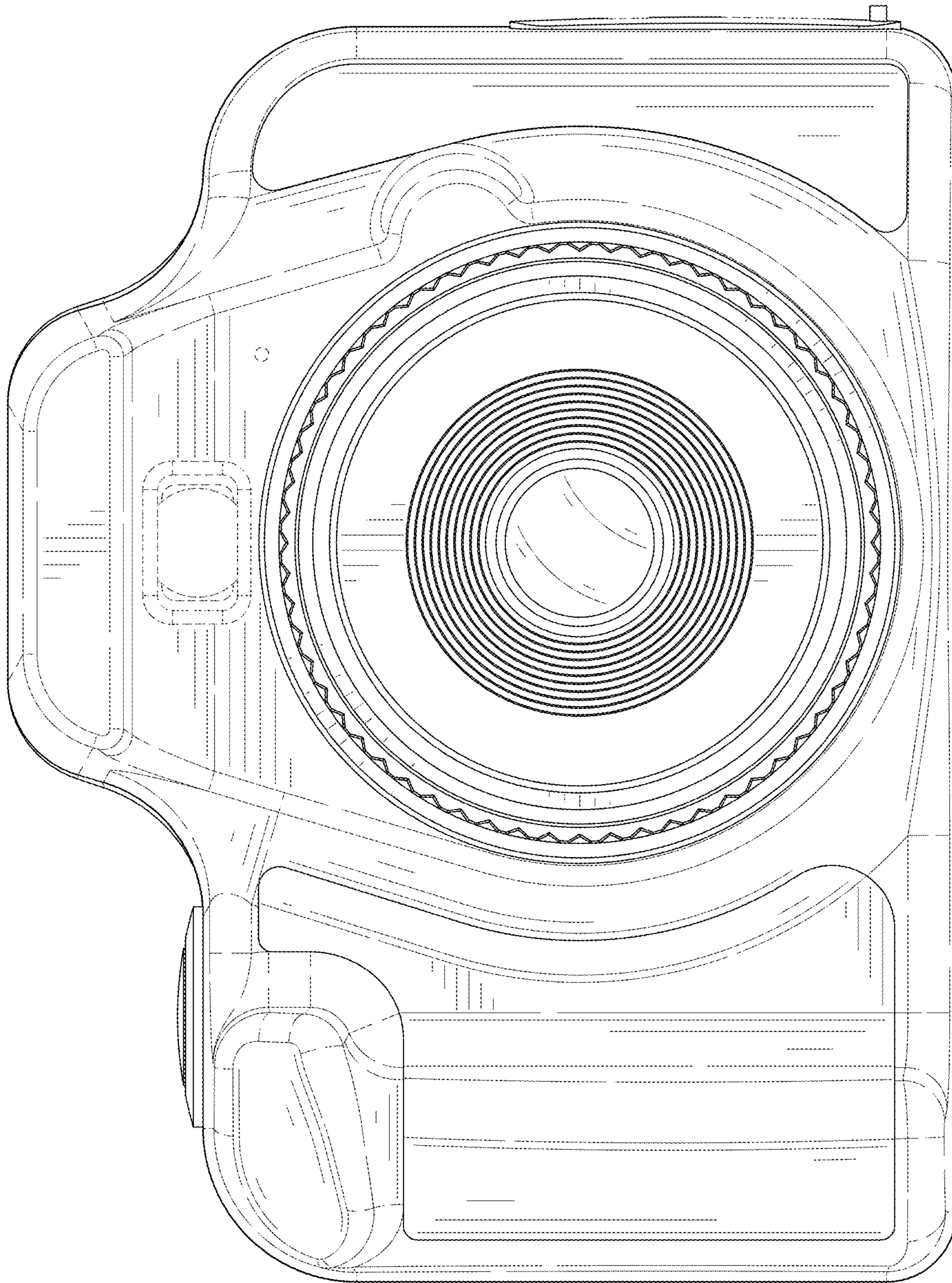


FIG. 3

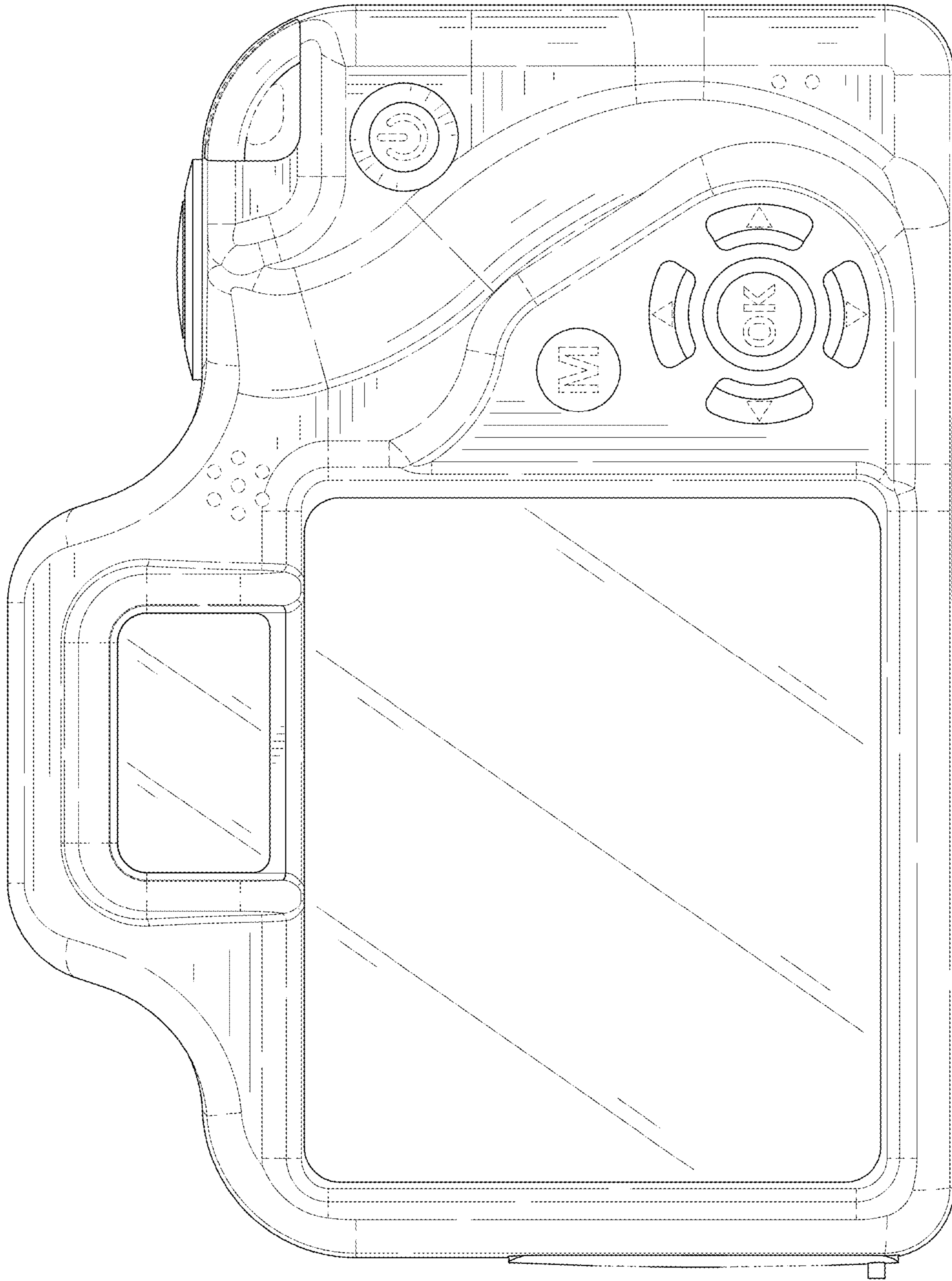


FIG. 4

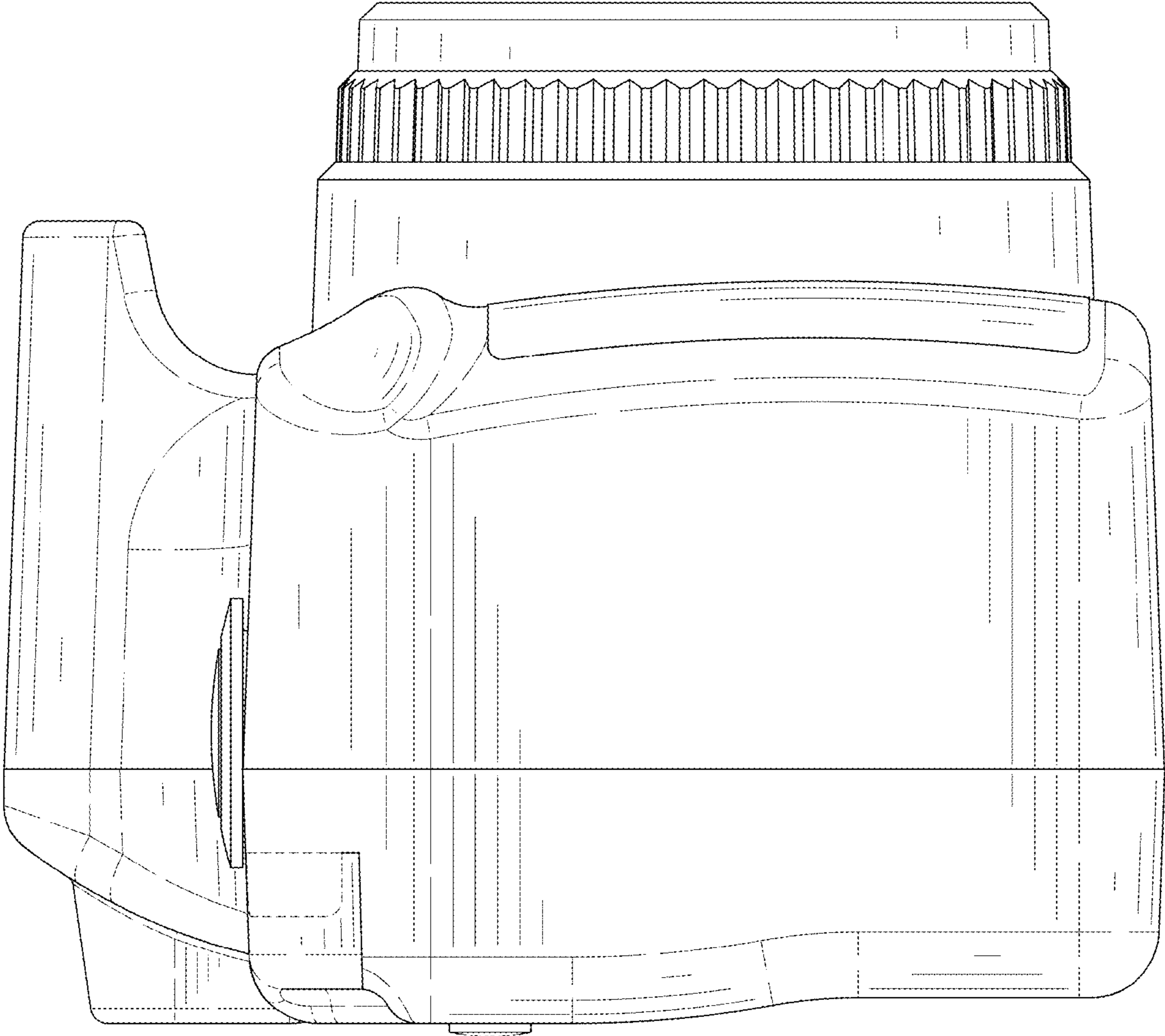


FIG. 5

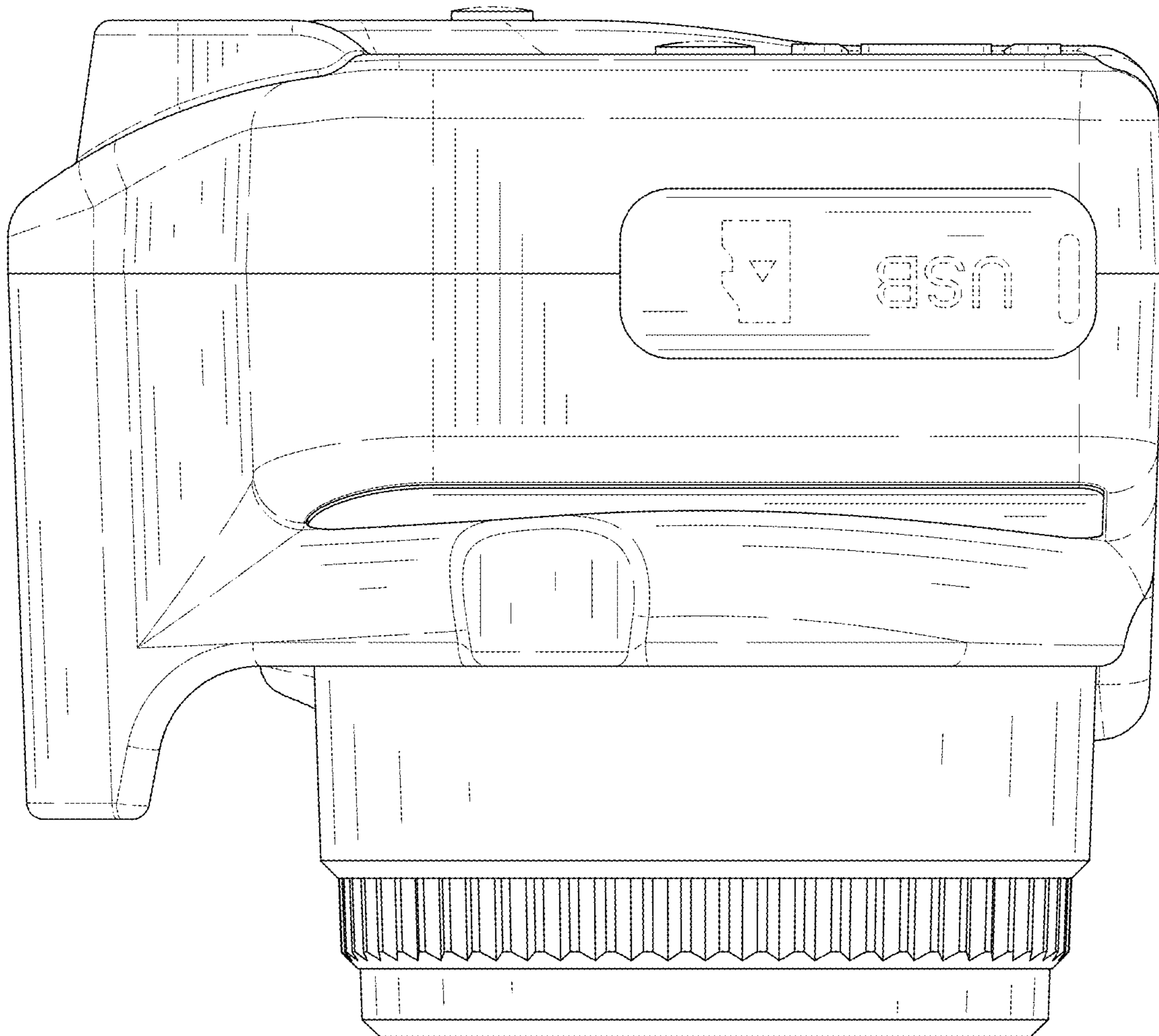


FIG. 6

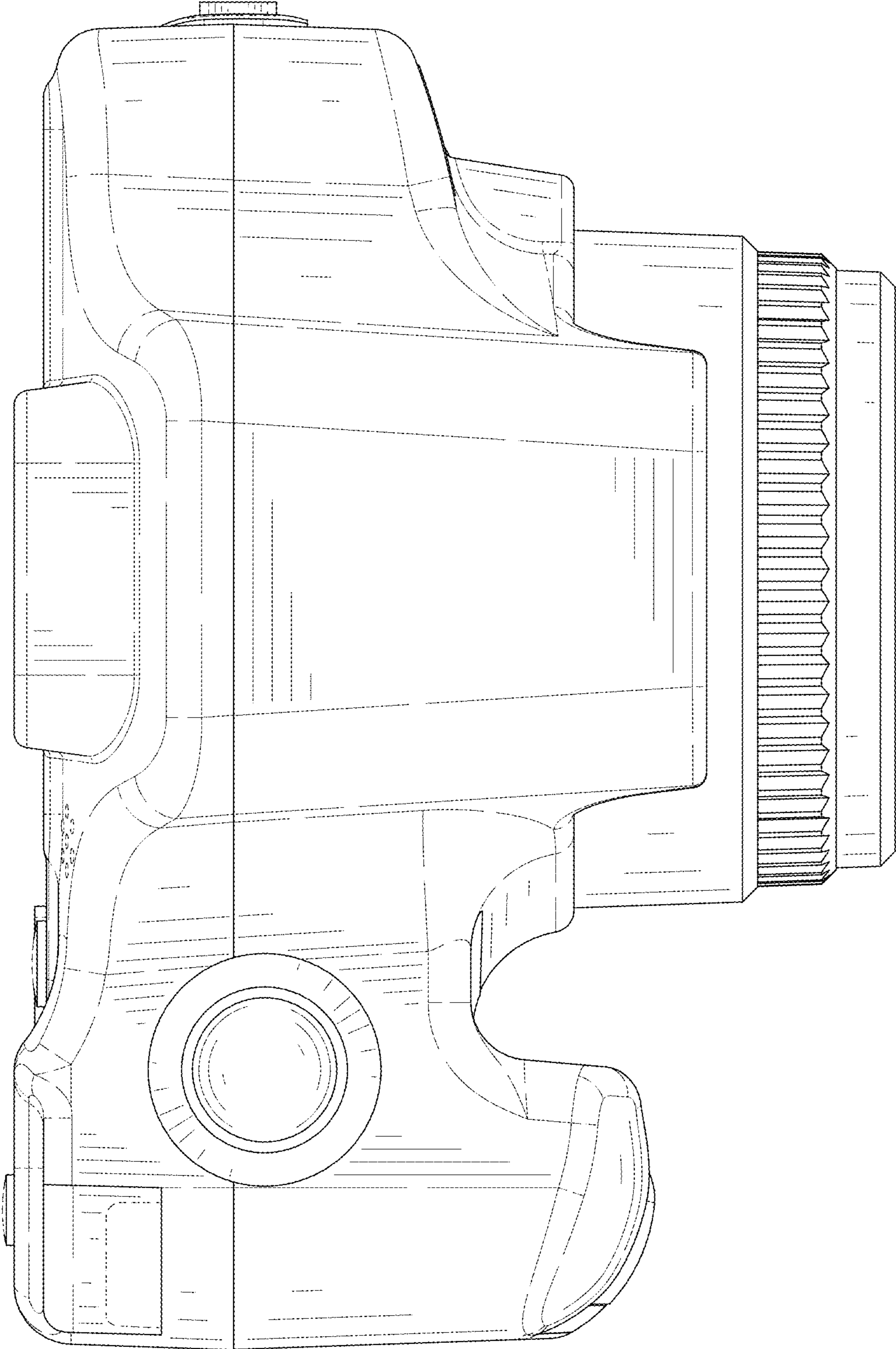


FIG. 7

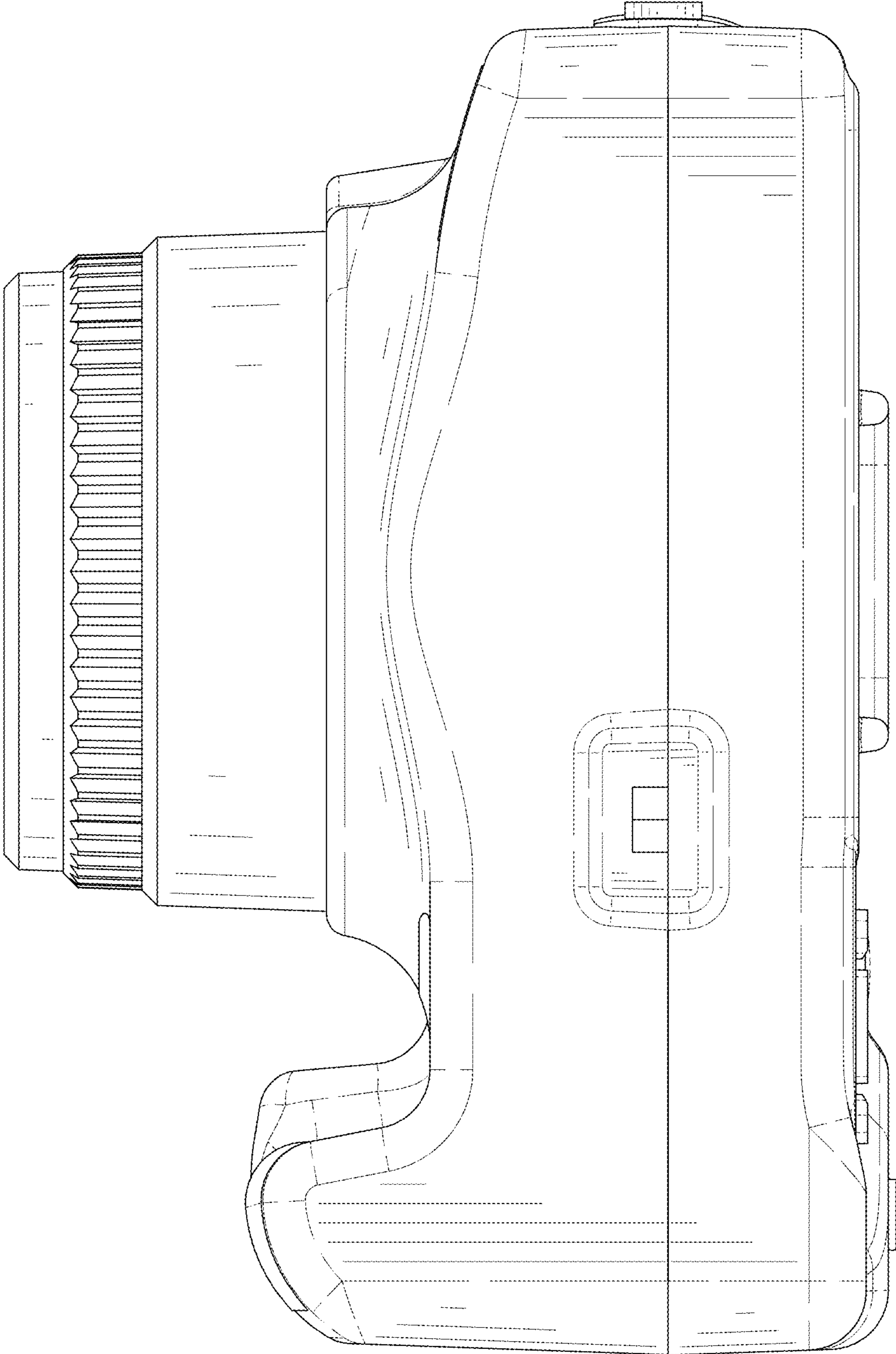


FIG. 8

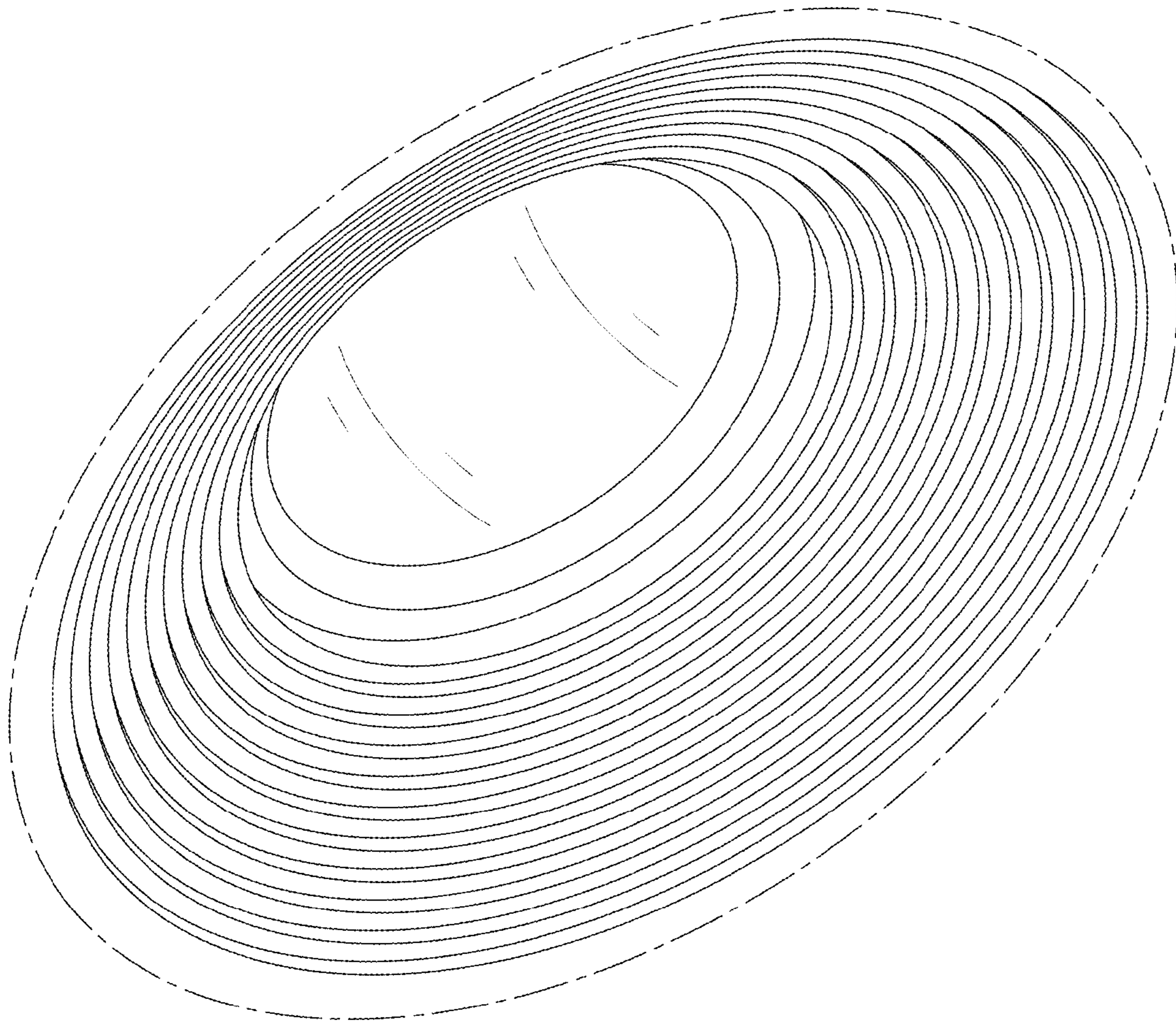


FIG. 9