



US00D952019S

(12) **United States Design Patent** (10) **Patent No.:** **US D952,019 S**
Wu (45) **Date of Patent:** **** May 17, 2022**

(54) **CAMERA**

(71) Applicant: **SHENZHEN XINZENGCAI CREATIVE ELECTRONICS CO., LTD.**, Guangdong (CN)

(72) Inventor: **Jingshui Wu**, Guangdong (CN)

(73) Assignee: **SHENZHEN XINZENGCAI CREATIVE ELECTRONICS CO., LTD.**, Guangdong (CN)

(**) Term: **15 Years**

(21) Appl. No.: **29/784,871**

(22) Filed: **May 21, 2021**

(30) **Foreign Application Priority Data**

Apr. 30, 2021 (CN) 202130260936.9

(51) **LOC (13) Cl.** **16-01**

(52) **U.S. Cl.**
USPC **D16/202**

(58) **Field of Classification Search**
USPC D16/200, 202–203, 208, 218, 219, 242;
248/187.1; 348/14.01–14.6, 143, 148,
348/151, 373–376; 396/419, 427, 428,
396/535, 539–541
CPC G03B 17/02; G03B 19/04; G03B 17/56;
G03B 17/04; G03B 15/03; H04N
2101/00; H04N 2007/145; H04N 7/141;
H04N 7/142; H04N 7/147; H04N 7/148;
H04N 7/15; H04N 7/152
See application file for complete search history.

(56) **References Cited**

U.S. PATENT DOCUMENTS

D478,922 S * 8/2003 Han D16/202
D552,144 S * 10/2007 Logan D16/202
D563,446 S * 3/2008 Stephens D16/202

D573,622 S * 7/2008 Fisher D16/202
D626,580 S * 11/2010 Tzeng D16/202
D626,983 S * 11/2010 Serge D16/202
D678,929 S * 3/2013 Hancock D16/202
D730,966 S * 6/2015 Liu D16/202
D810,804 S * 2/2018 Borel D16/203
D830,443 S * 10/2018 Borel D16/203
D849,088 S 5/2019 Lai
D849,089 S 5/2019 Lu
D873,882 S * 1/2020 Wang D16/202
D880,554 S * 4/2020 Yu D16/203
D910,730 S * 2/2021 Hao D16/202

* cited by examiner

Primary Examiner — Ramzi Almatrahi

(74) *Attorney, Agent, or Firm* — ScienBiziP, P.C.

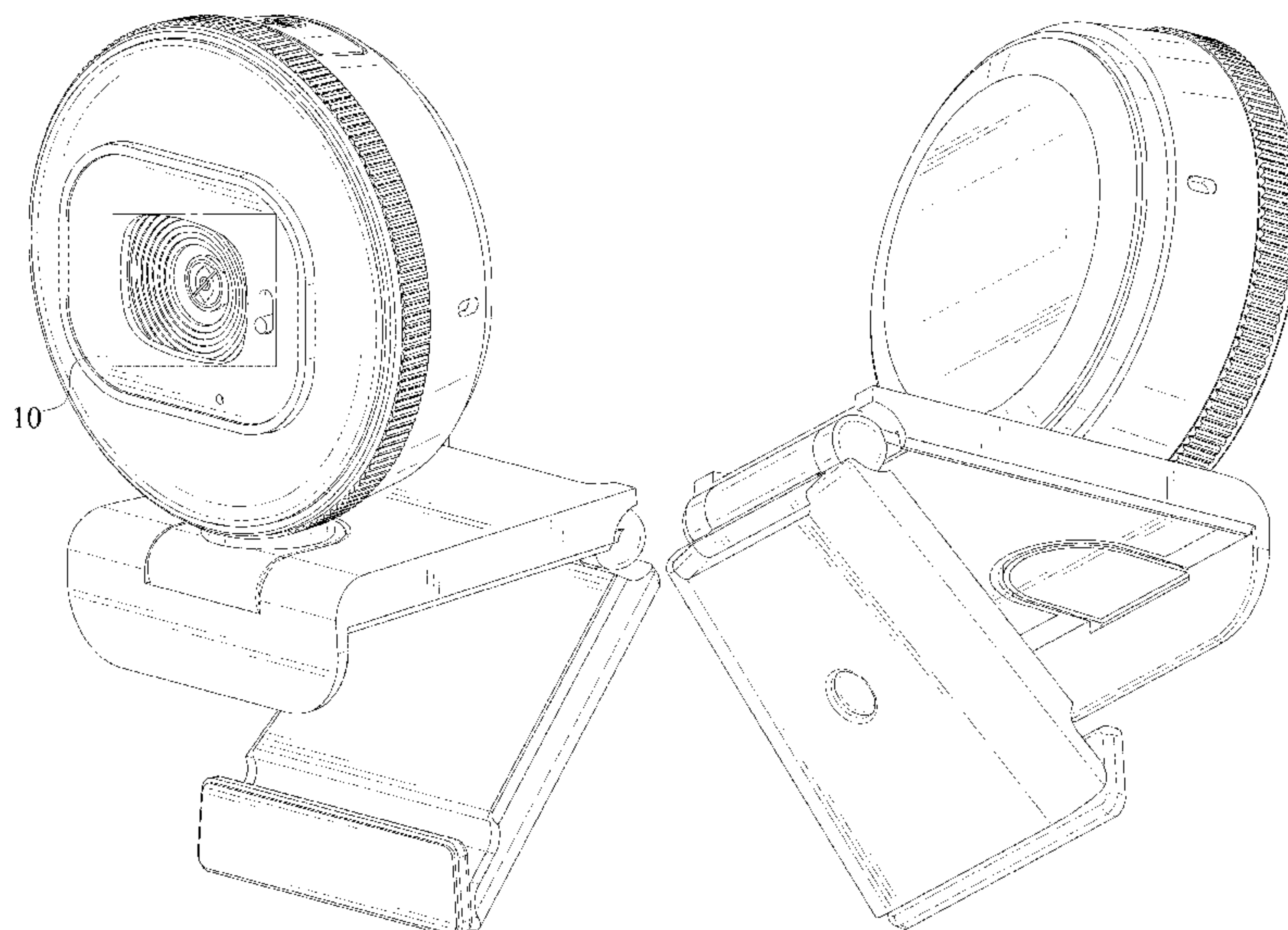
(57) **CLAIM**

The ornamental design for a camera, as shown and described.

DESCRIPTION

FIG. 1 is a top, front and right side perspective view of a camera showing my new design;
FIG. 2 is a bottom, rear and left side perspective view thereof;
FIG. 3 is a top and front perspective view thereof;
FIG. 4 is a front elevation view thereof;
FIG. 5 is a rear elevation view thereof;
FIG. 6 is a left side elevation view thereof;
FIG. 7 is a right side elevation view thereof;
FIG. 8 is a top plan view thereof;
FIG. 9 is a bottom plan view thereof;
FIG. 10 is an enlarged view of portion 10 shown in FIG. 1; and,
FIG. 11 is an enlarged view of portion 11 shown in FIG. 5.
The broken lines depict portions of the camera that form no part of the claimed design. Additionally, the dot-dash broken lines encircling an enlargement portion of the design form no part of the claimed design.

1 Claim, 11 Drawing Sheets



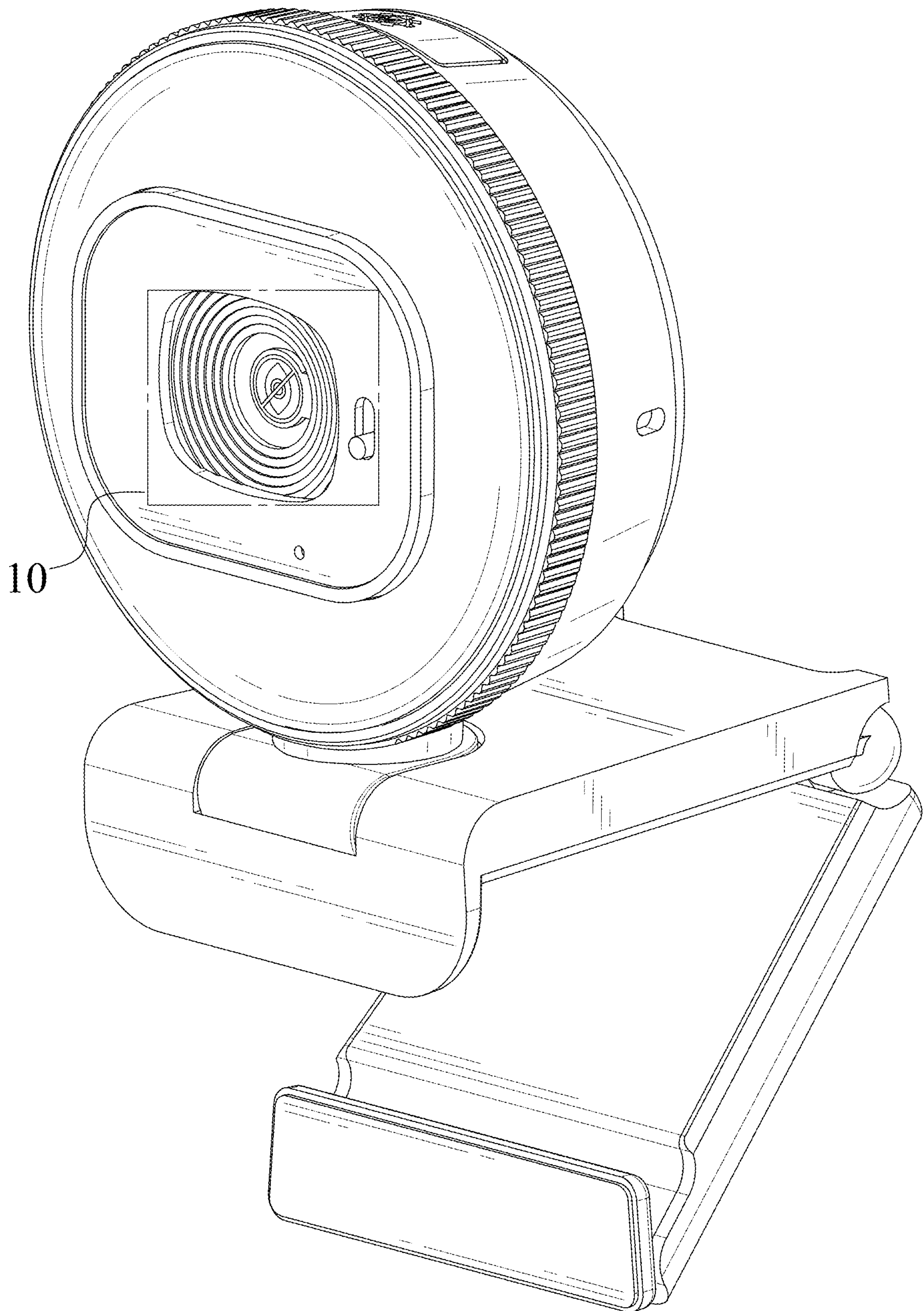


FIG. 1

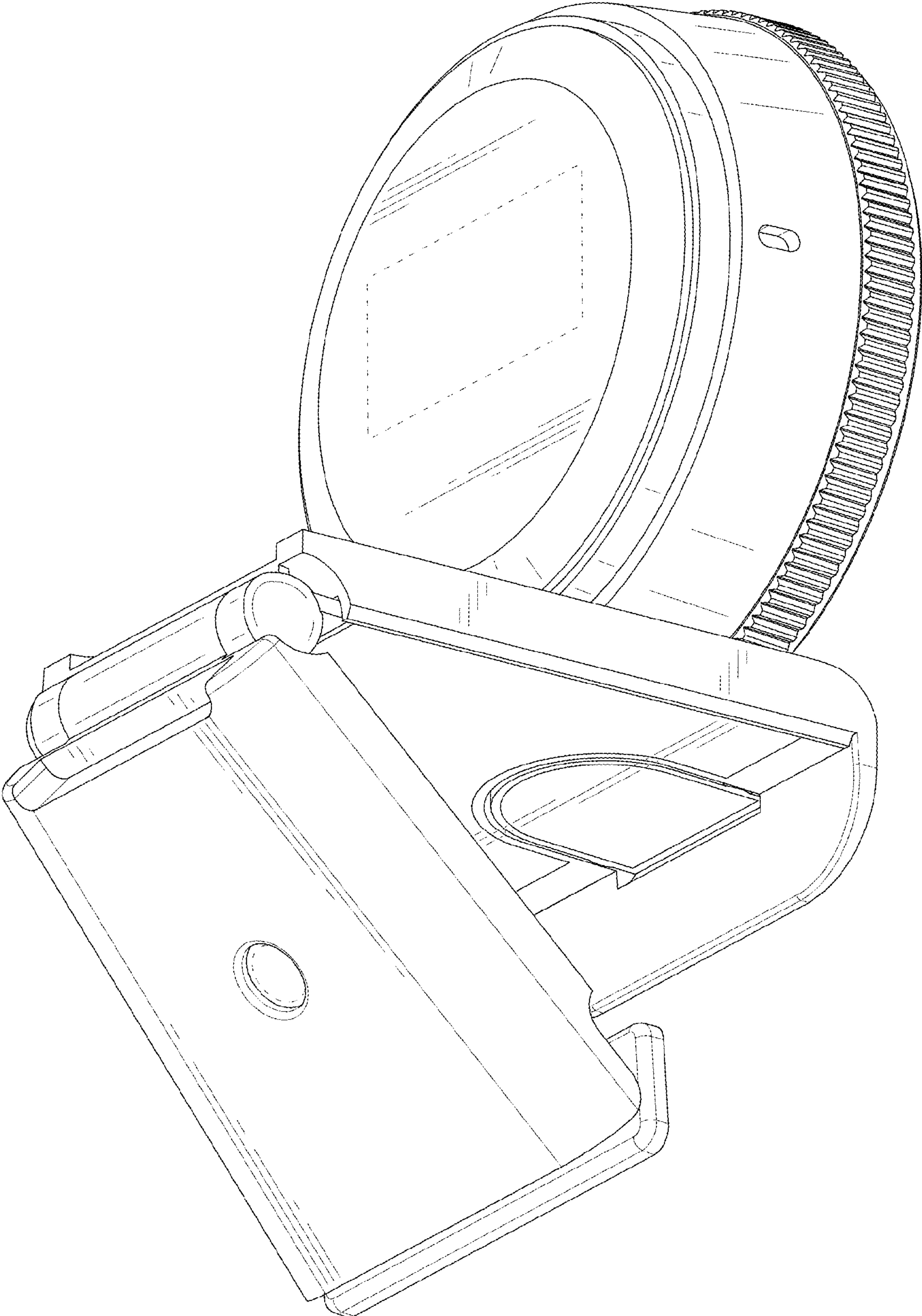


FIG. 2

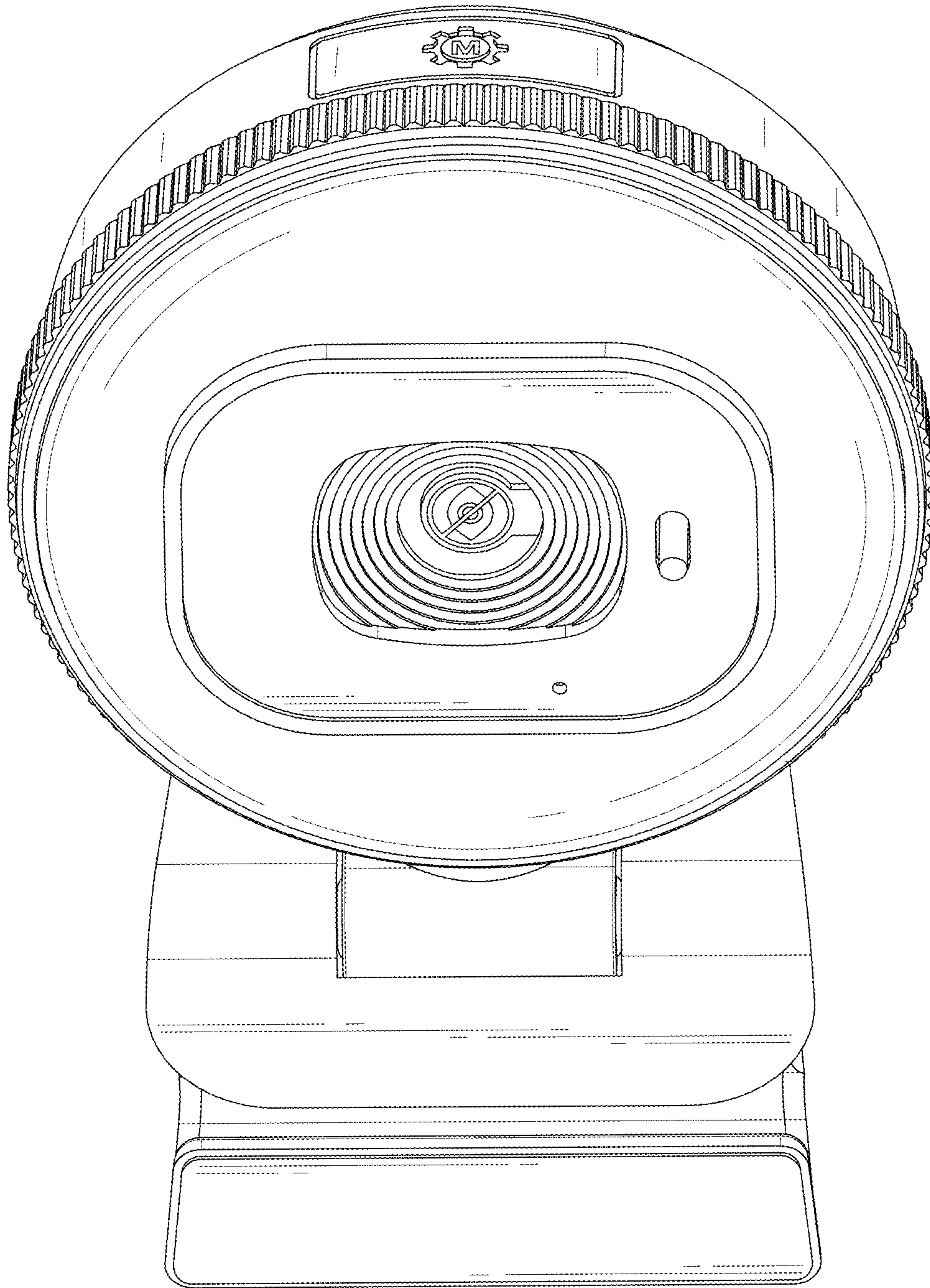


FIG. 3

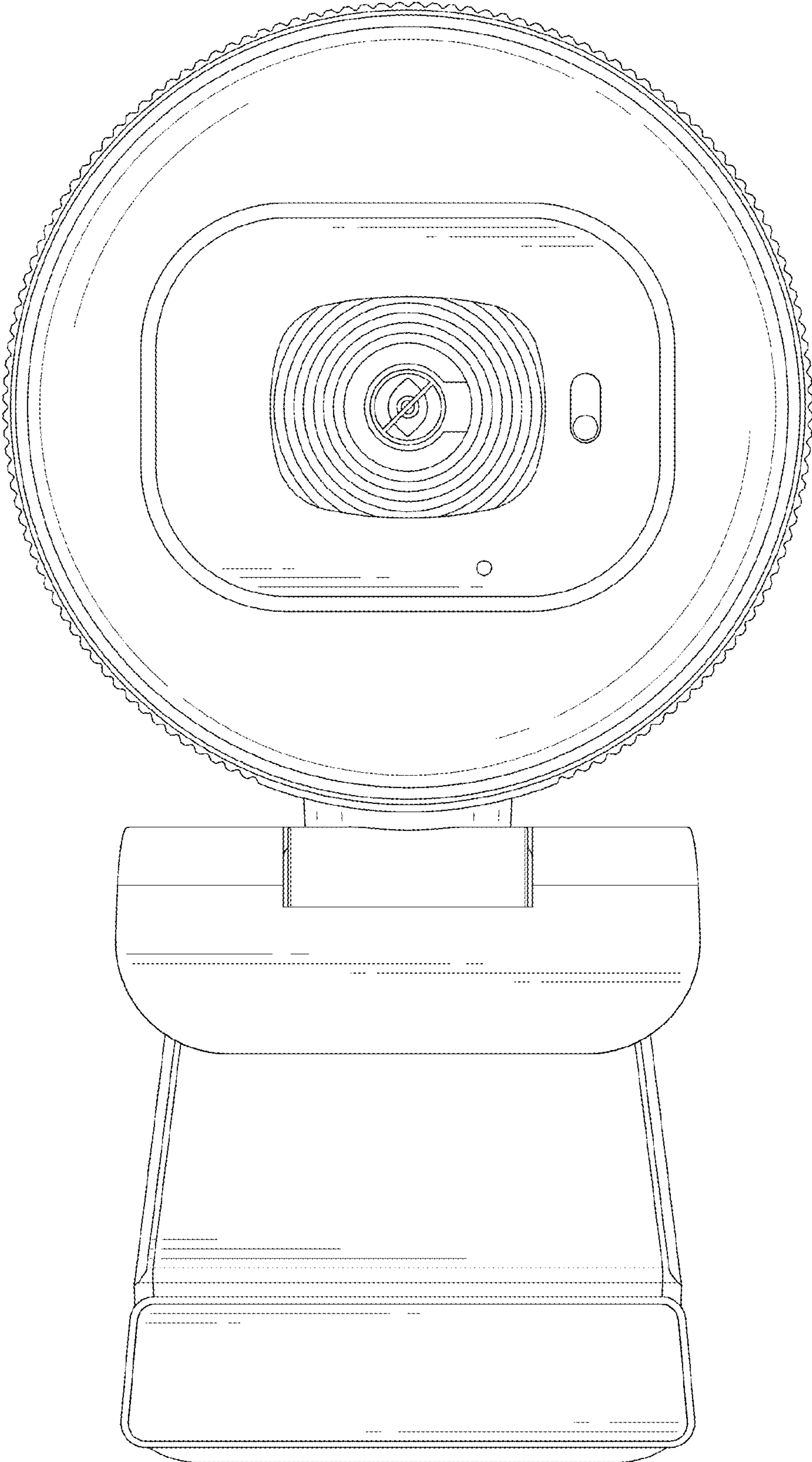


FIG. 4

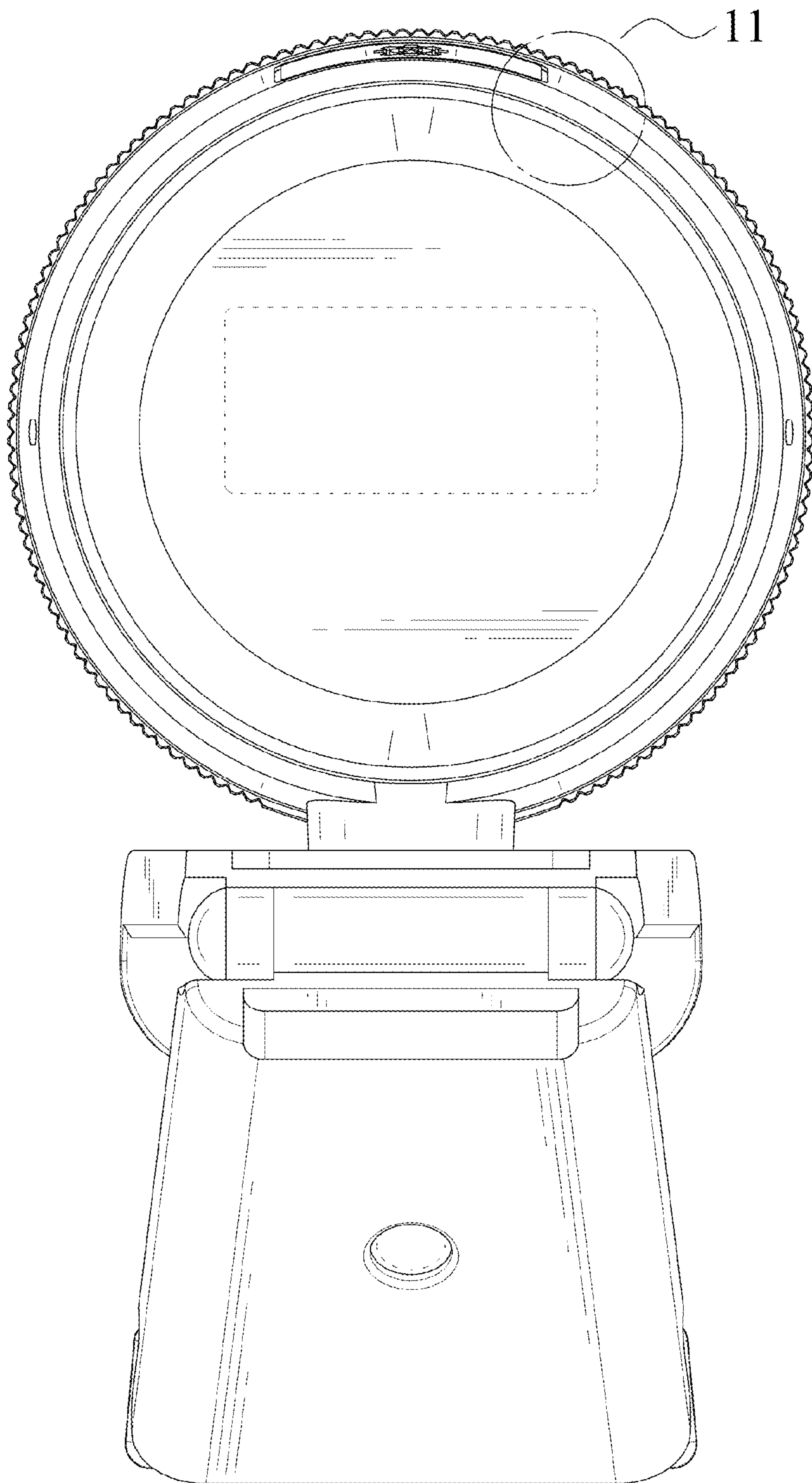


FIG. 5

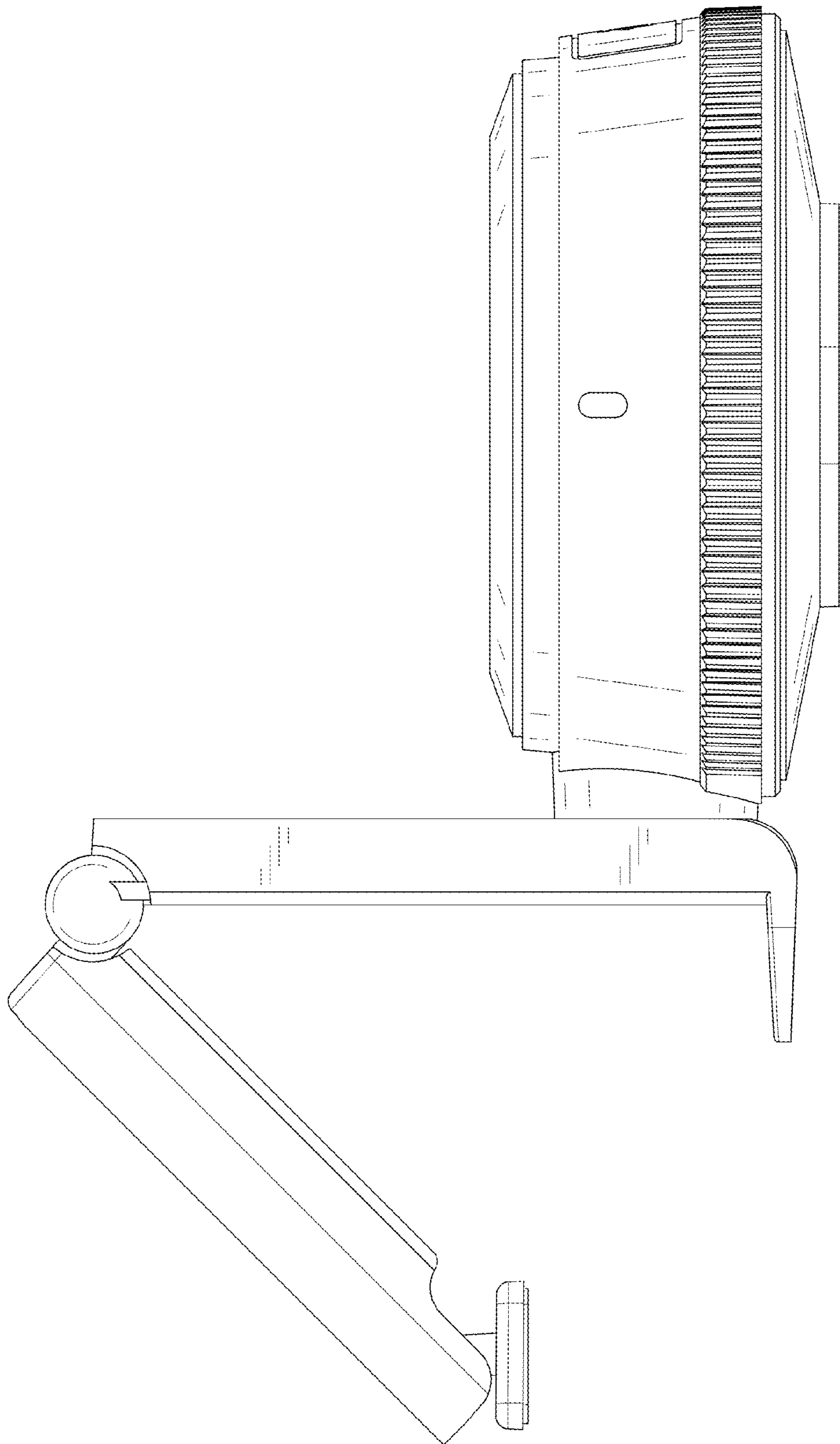


FIG. 6

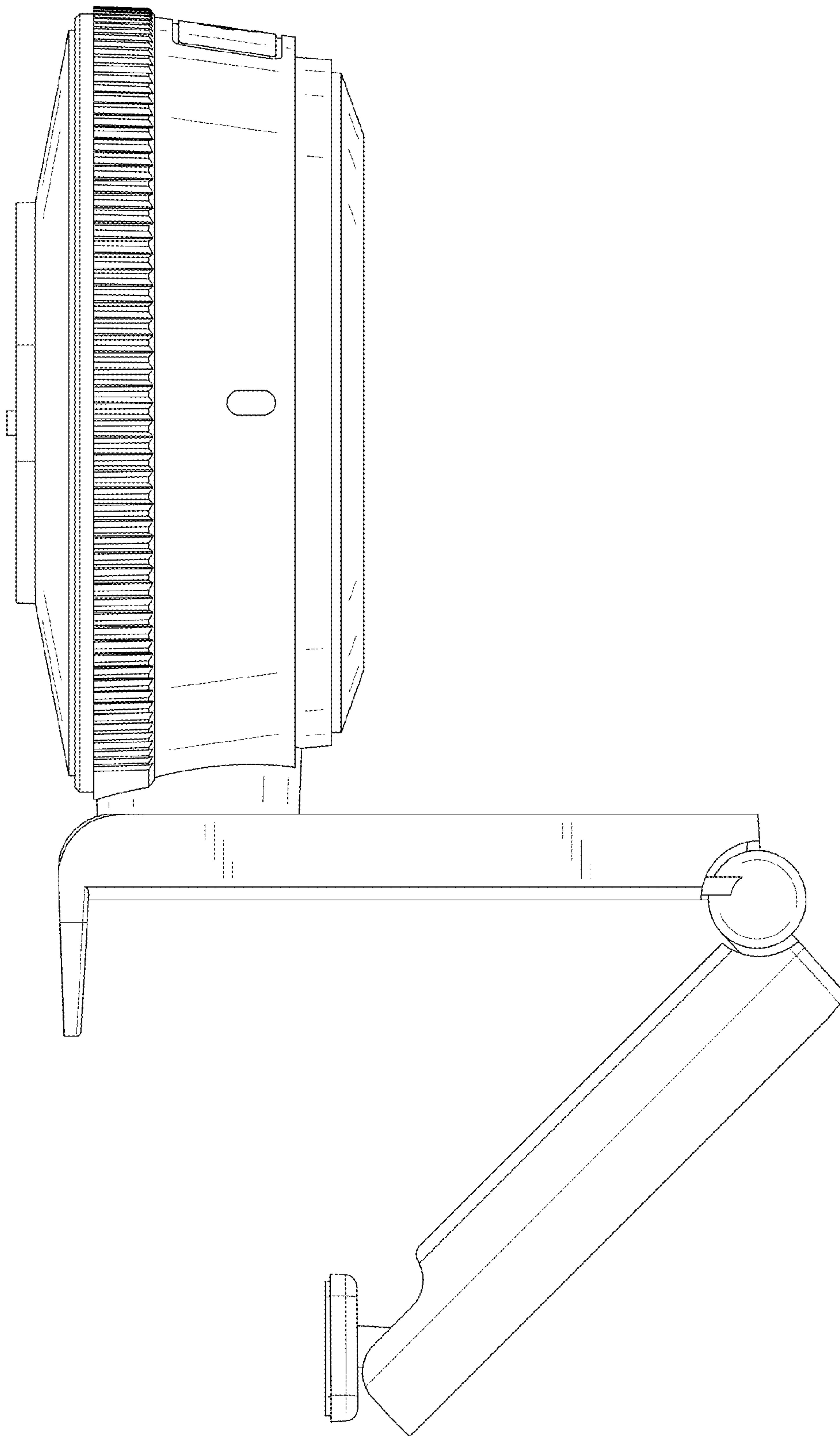


FIG. 7

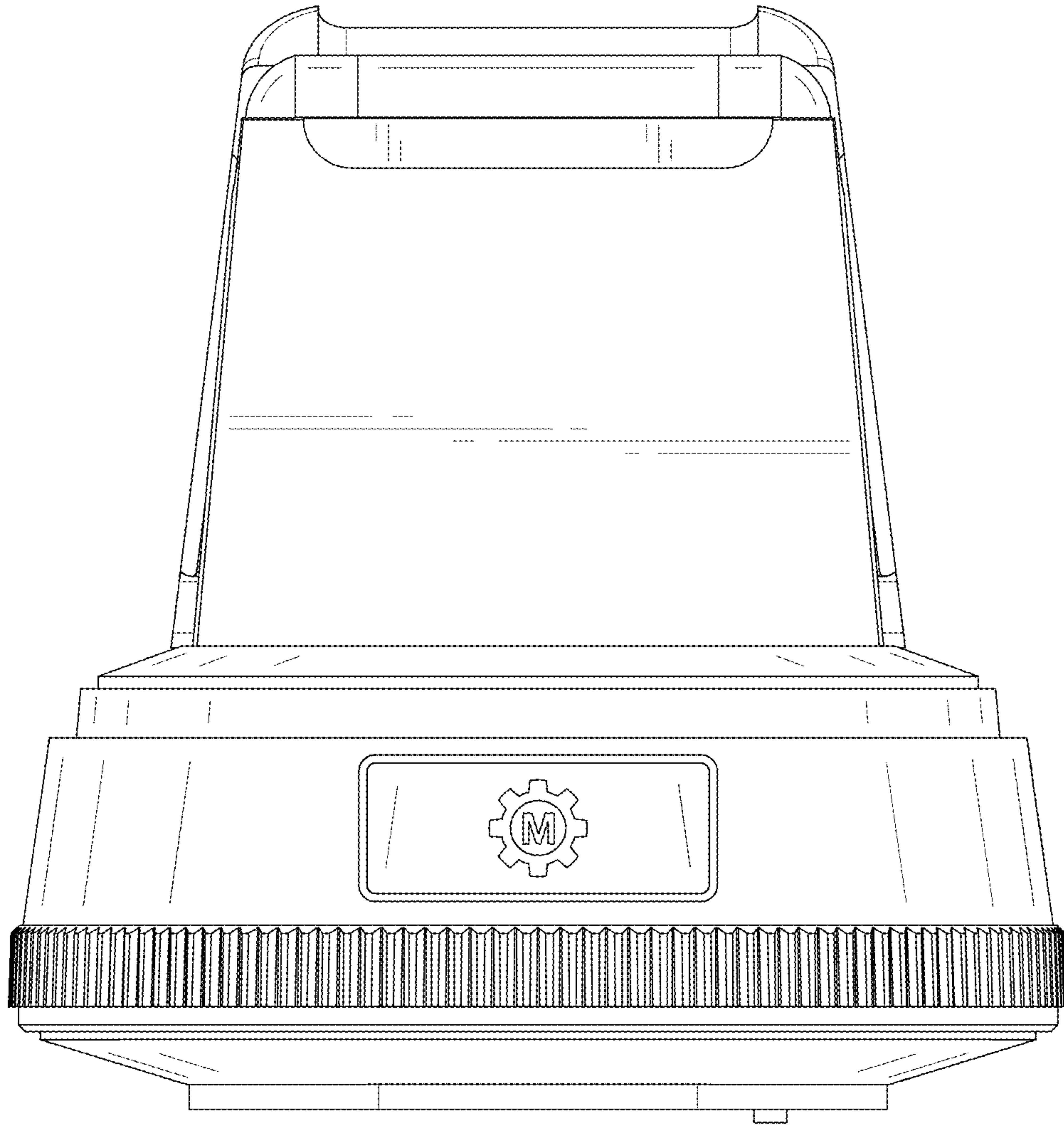


FIG. 8

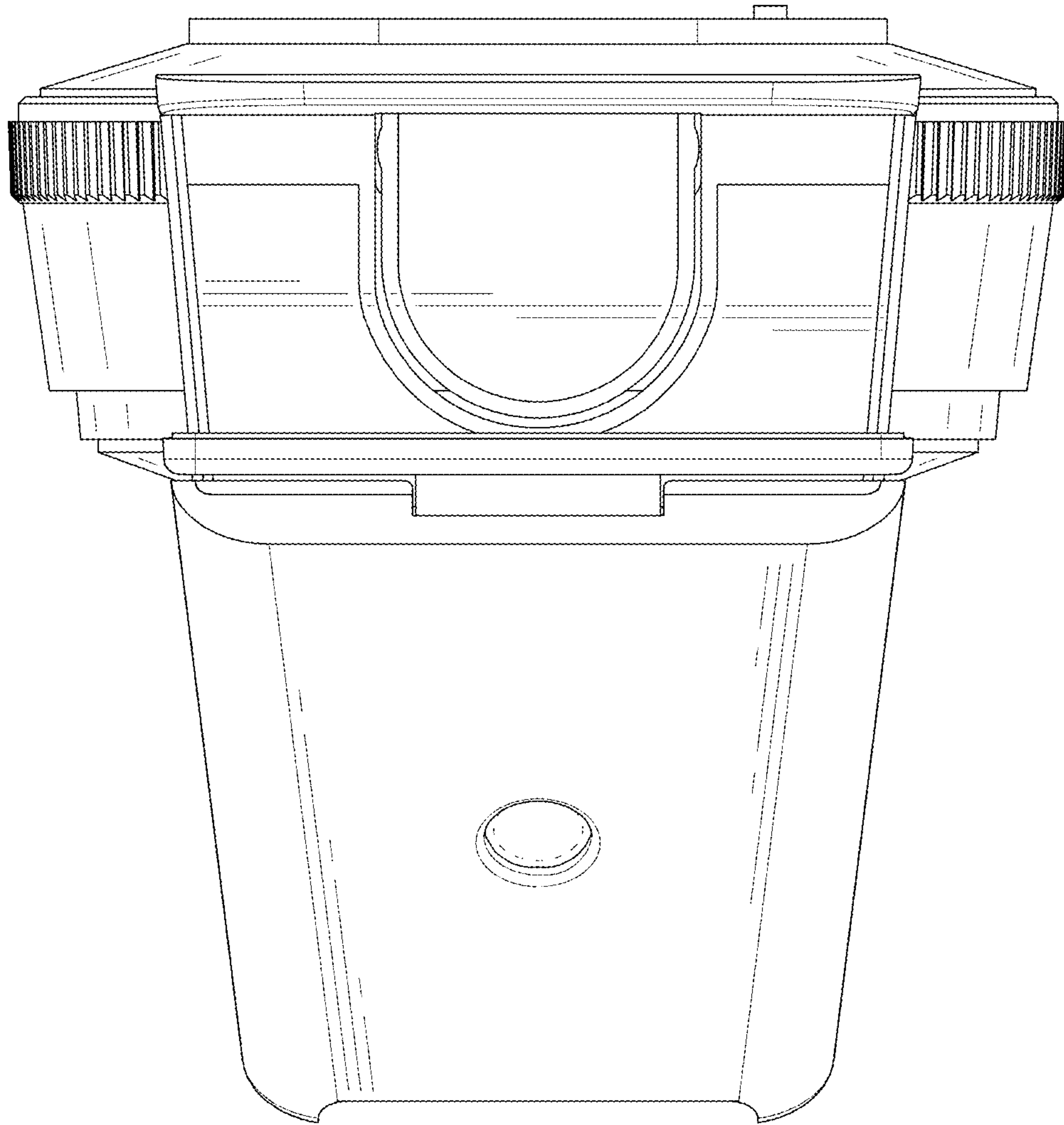


FIG. 9

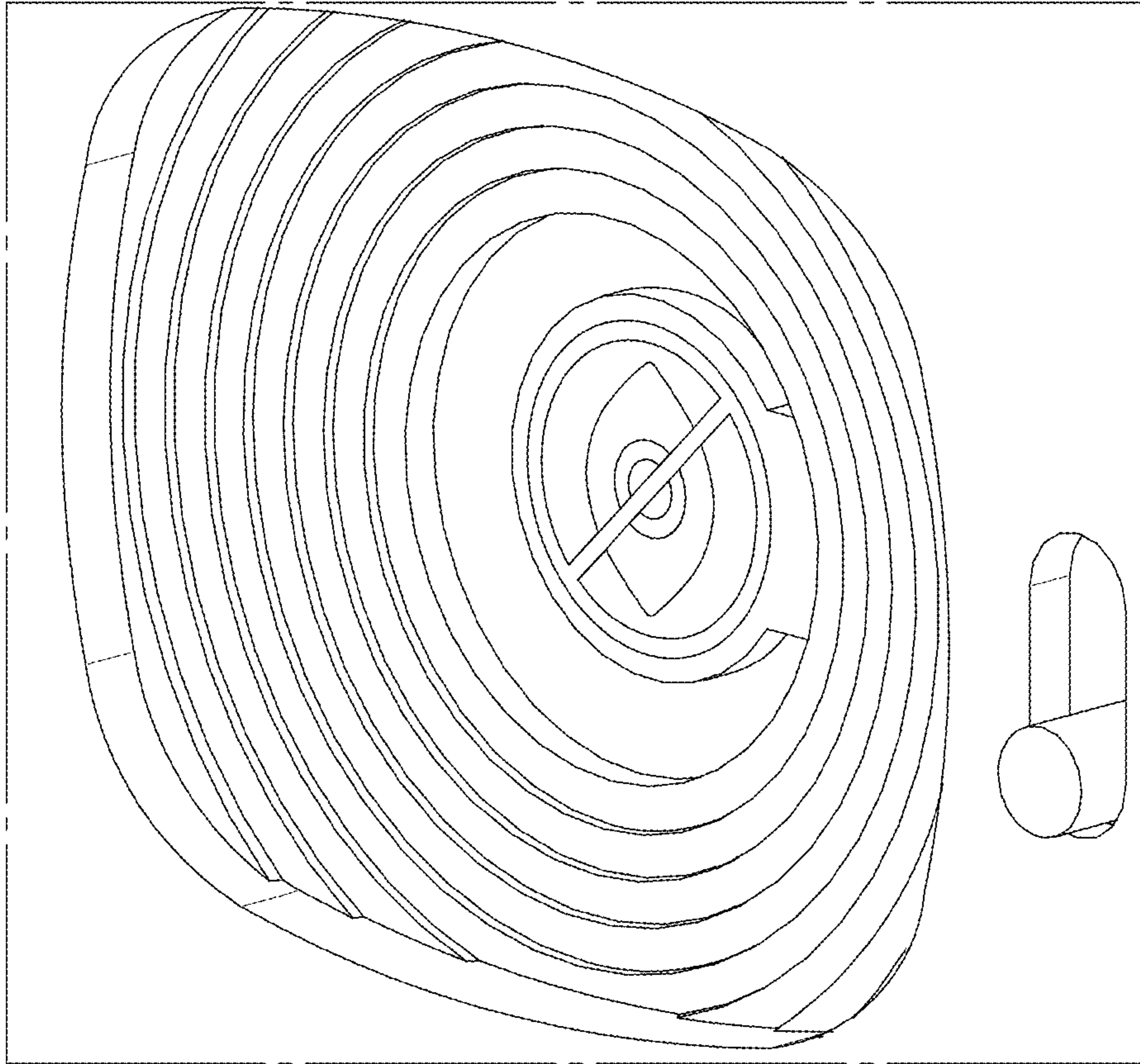


FIG. 10

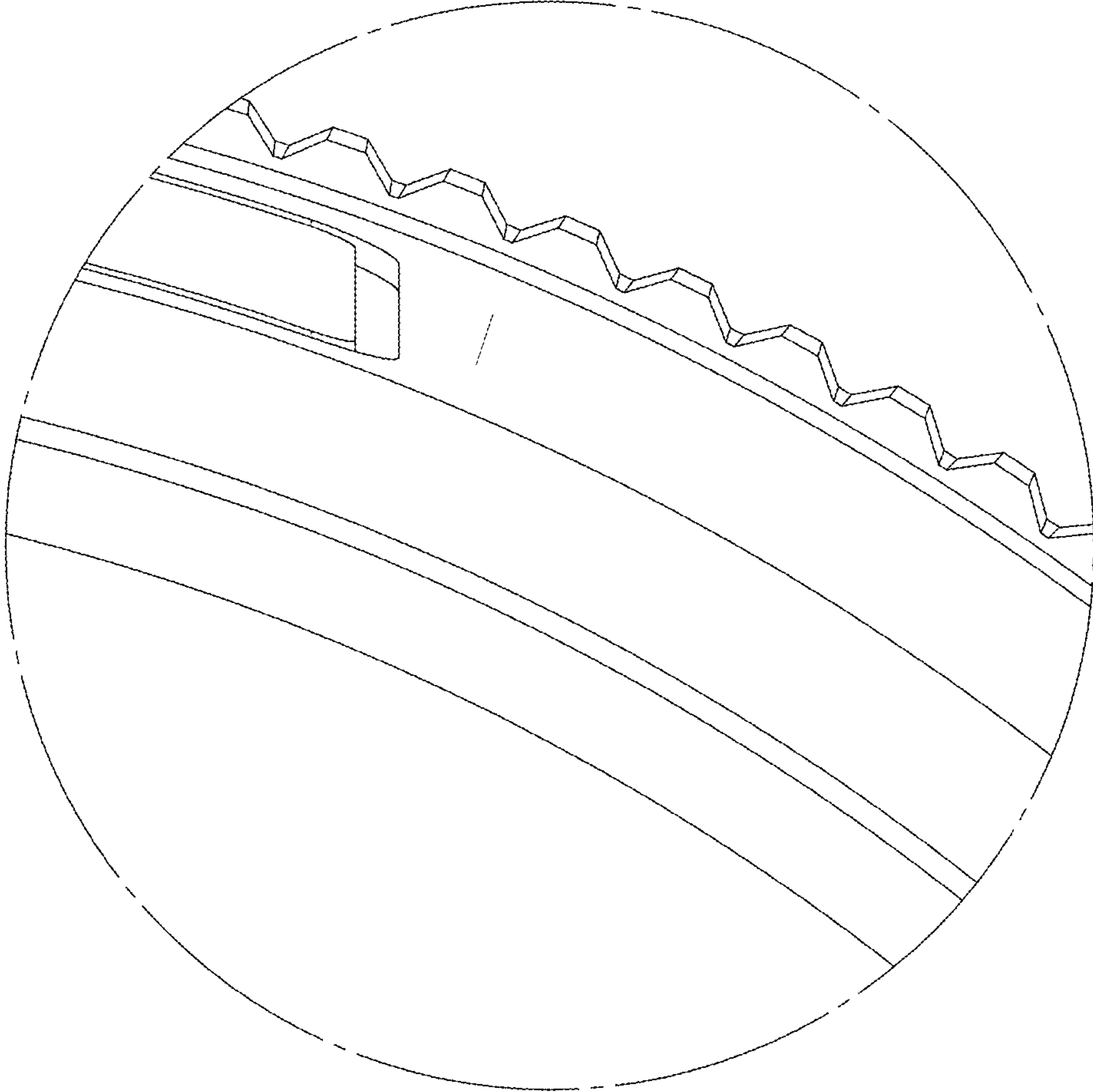


FIG. 11