



US00D952018S

(12) **United States Design Patent**  
**Wu**

(10) **Patent No.:** **US D952,018 S**

(45) **Date of Patent:** **\*\* May 17, 2022**

(54) **CAMERA**

(71) Applicant: **SHENZHEN XINZENGCAI  
CREATIVE ELECTRONICS CO.,  
LTD.**, Guangdong (CN)

(72) Inventor: **Jingshui Wu**, Guangdong (CN)

(73) Assignee: **SHENZHEN XINZENGCAI  
CREATIVE ELECTRONICS CO.,  
LTD.**, Guangdong (CN)

(\*\*) Term: **15 Years**

(21) Appl. No.: **29/784,866**

(22) Filed: **May 21, 2021**

(30) **Foreign Application Priority Data**

Apr. 30, 2021 (CN) ..... 202130260936.9

(51) **LOC (13) Cl.** ..... **16-01**

(52) **U.S. Cl.**  
USPC ..... **D16/202**

(58) **Field of Classification Search**  
USPC ..... D16/200, 202–203, 208, 218, 219, 242;  
248/187.1; 348/14.01–14.6, 143, 148,  
348/151, 373–376; 396/419, 427, 428,  
396/535, 539–541  
CPC ..... G03B 17/02; G03B 19/04; G03B 17/56;  
G03B 17/04; G03B 15/03; H04N  
2101/00; H04N 2007/145; H04N 7/141;  
H04N 7/142; H04N 7/147; H04N 7/148;  
H04N 7/15; H04N 7/152  
See application file for complete search history.

(56) **References Cited**

**U.S. PATENT DOCUMENTS**

D478,922 S \* 8/2003 Han ..... D16/202  
D552,144 S \* 10/2007 Logan ..... D16/202  
D563,446 S \* 3/2008 Stephens ..... D16/202

D573,622 S \* 7/2008 Fisher ..... D16/202  
D626,580 S \* 11/2010 Tzeng ..... D16/202  
D626,983 S \* 11/2010 Serge ..... D16/202  
D678,929 S \* 3/2013 Hancock ..... D16/202  
D730,966 S \* 6/2015 Liu ..... D16/202  
D810,804 S \* 2/2018 Borel ..... D16/203  
D830,443 S \* 10/2018 Borel ..... D16/203  
D849,088 S 5/2019 Lai  
D849,089 S 5/2019 Lu  
D873,882 S \* 1/2020 Wang ..... D16/202  
D880,554 S \* 4/2020 Yu ..... D16/203  
D910,730 S \* 2/2021 Hao ..... D16/202

\* cited by examiner

*Primary Examiner* — Ramzi Almatrahi

(74) *Attorney, Agent, or Firm* — ScienBiziP, P.C.

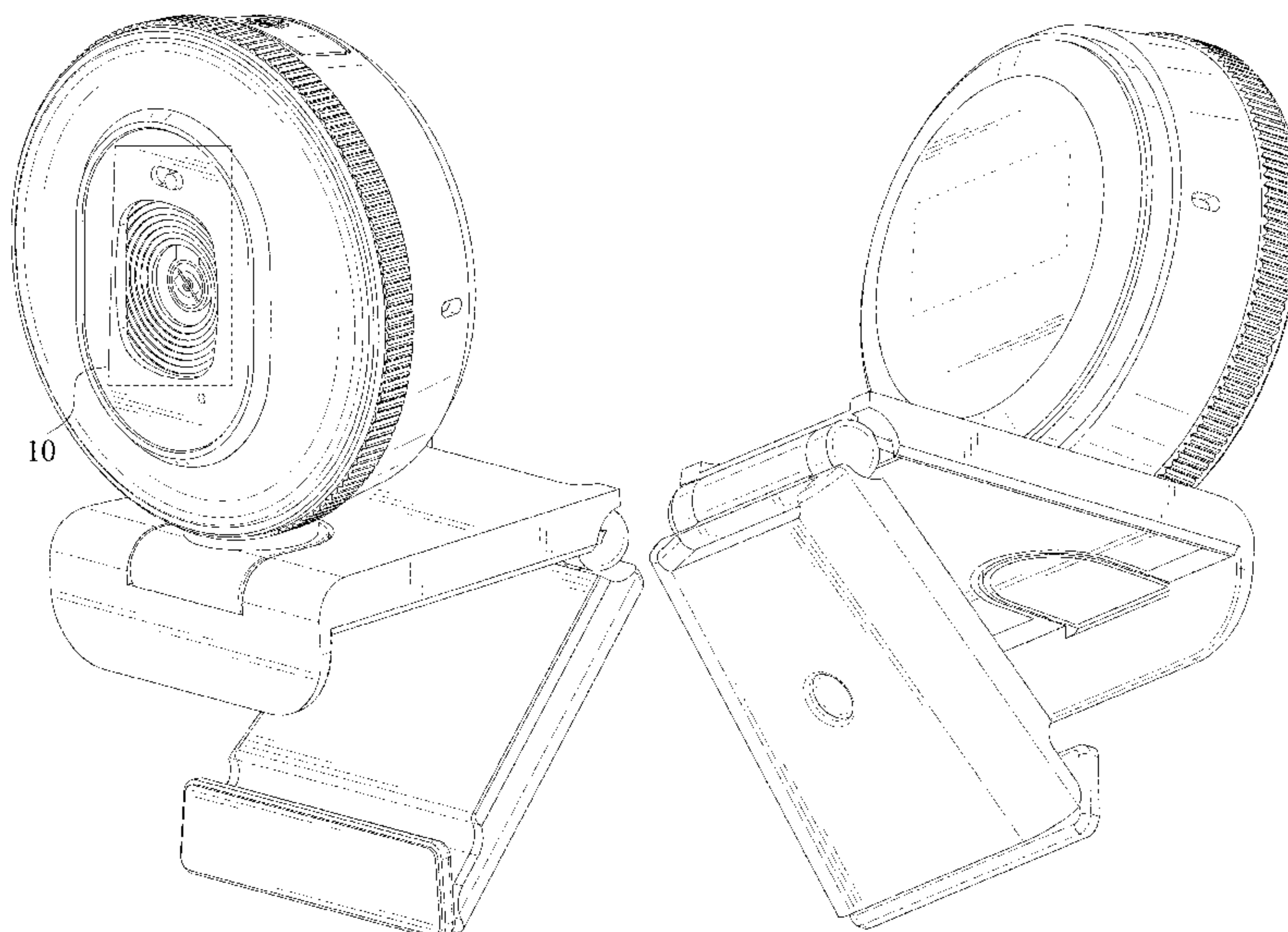
(57) **CLAIM**

The ornamental design for a camera, as shown and described.

**DESCRIPTION**

FIG. 1 is a top, front and right side perspective view of a camera showing my new design;  
FIG. 2 is a bottom, rear and left side perspective view thereof;  
FIG. 3 is a top and front perspective view thereof;  
FIG. 4 is a front elevation view thereof;  
FIG. 5 is a rear elevation view thereof;  
FIG. 6 is a left side elevation view thereof;  
FIG. 7 is a right side elevation view thereof;  
FIG. 8 is a top plan view thereof;  
FIG. 9 is a bottom plan view thereof;  
FIG. 10 is an enlarged view of portion 10 shown in FIG. 1; and,  
FIG. 11 is an enlarged view of portion 11 shown in FIG. 5.  
The broken lines depict portions of the camera that form no part of the claimed design. Additionally, the dot-dash broken lines encircling an enlargement portion of the design form no part of the claimed design.

**1 Claim, 11 Drawing Sheets**



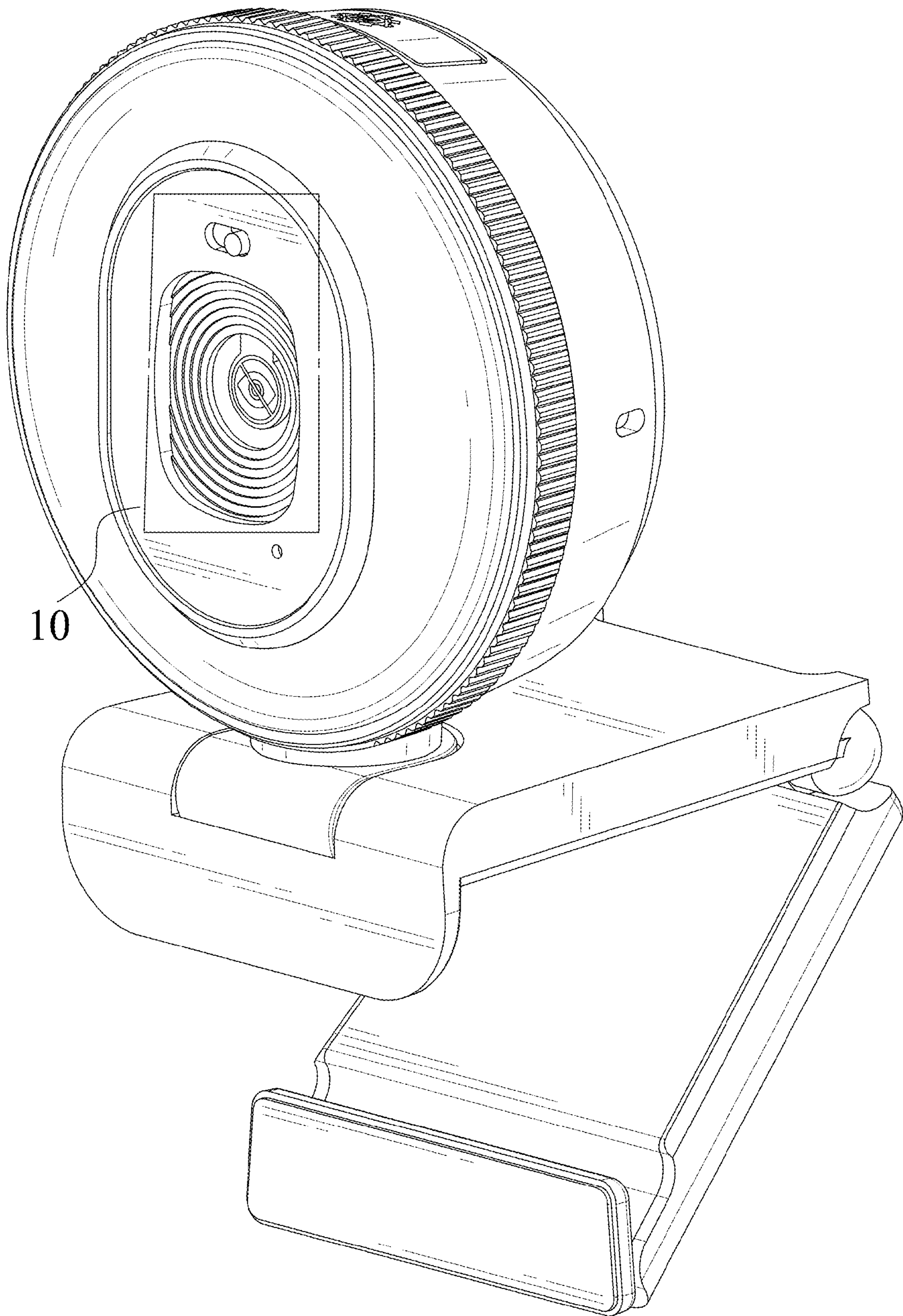


FIG. 1



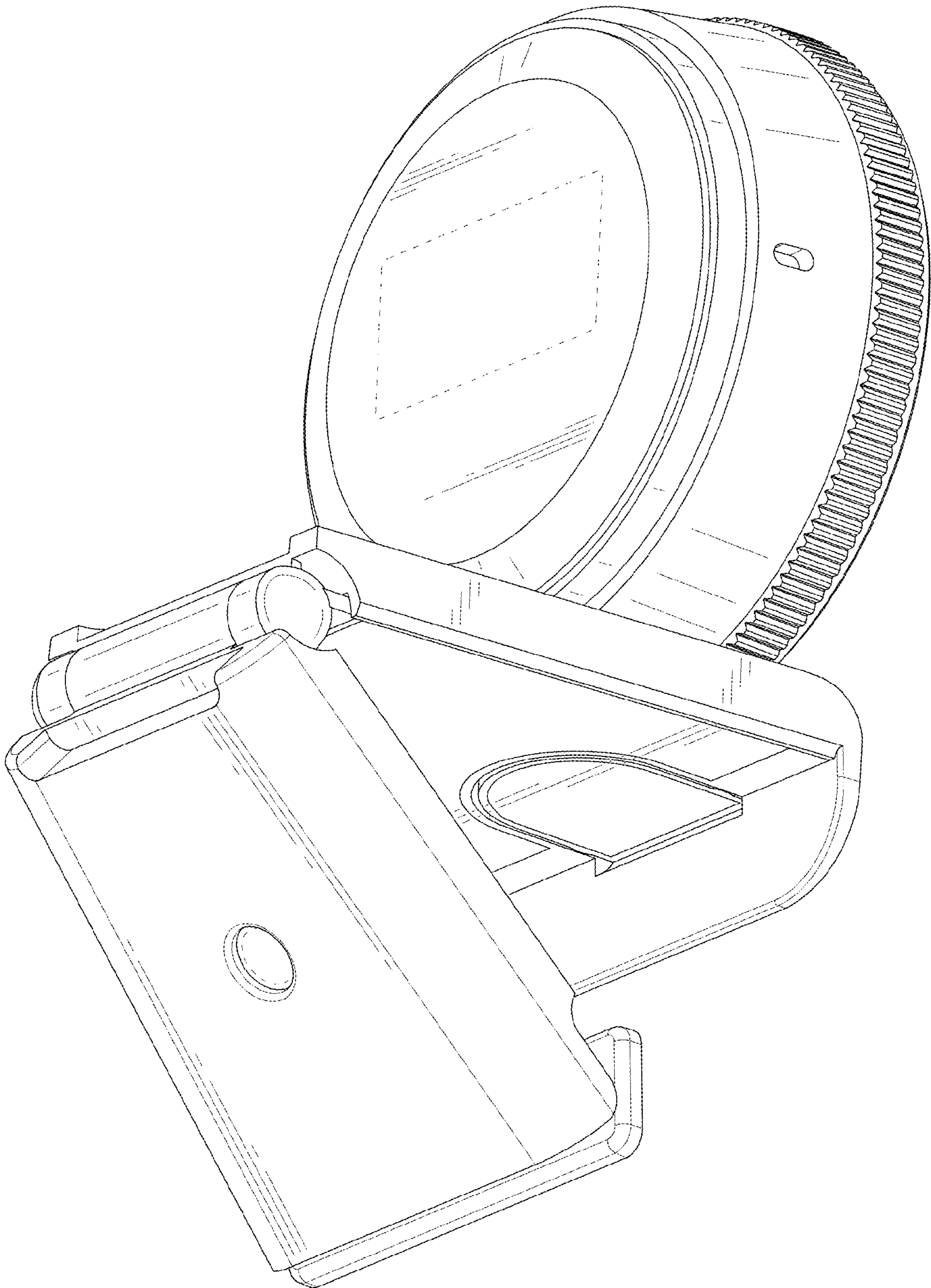


FIG. 2

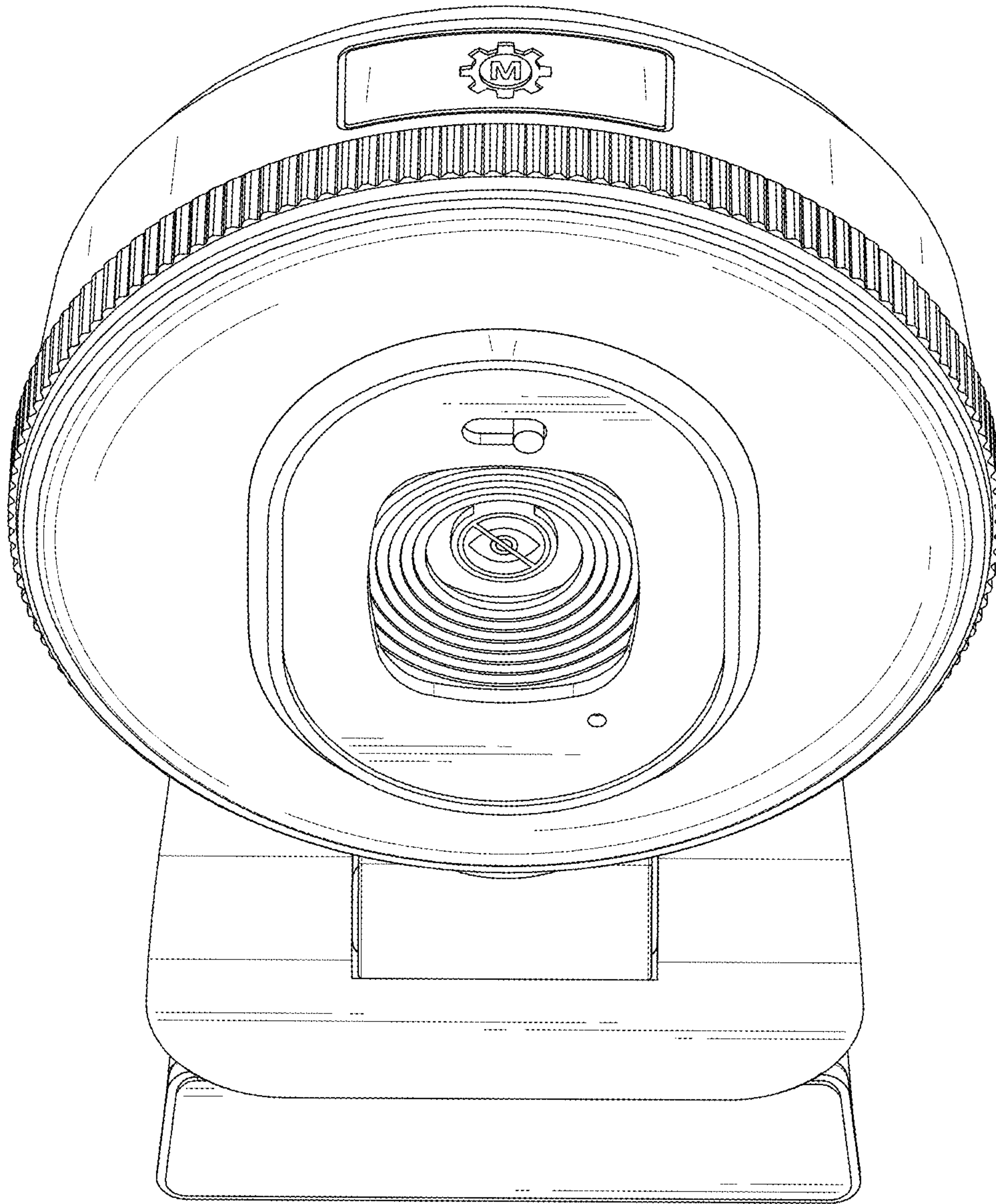


FIG. 3

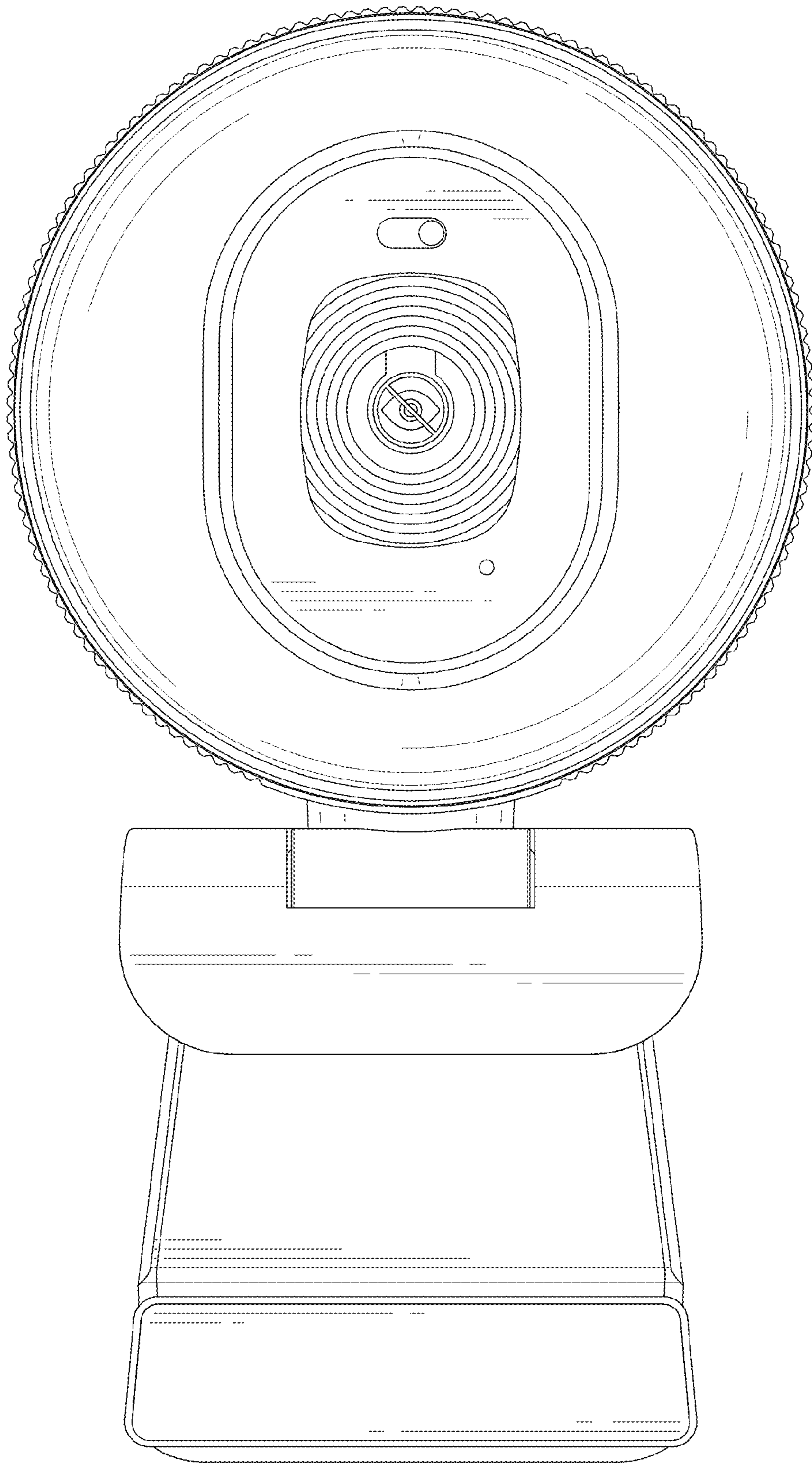


FIG. 4



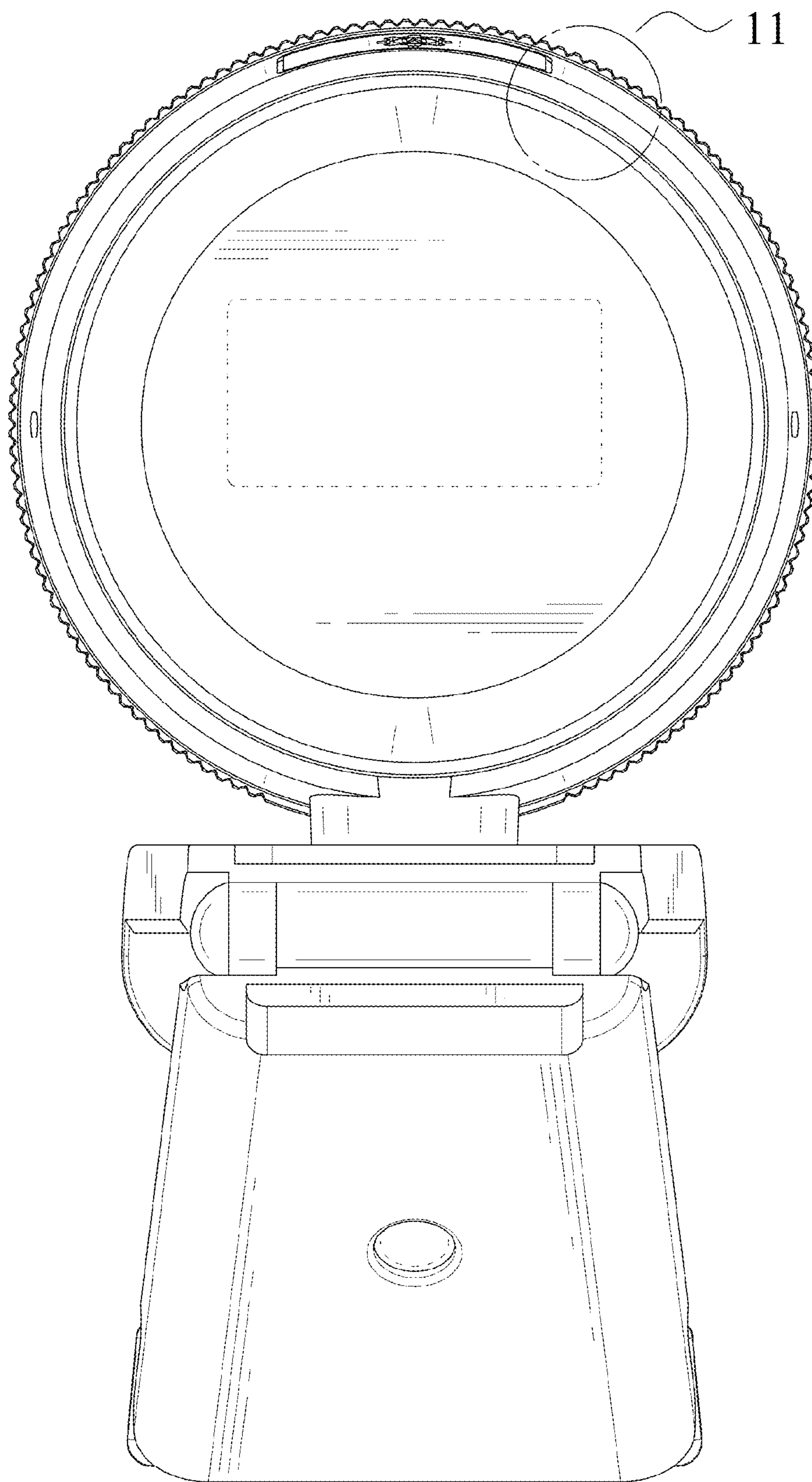


FIG. 5

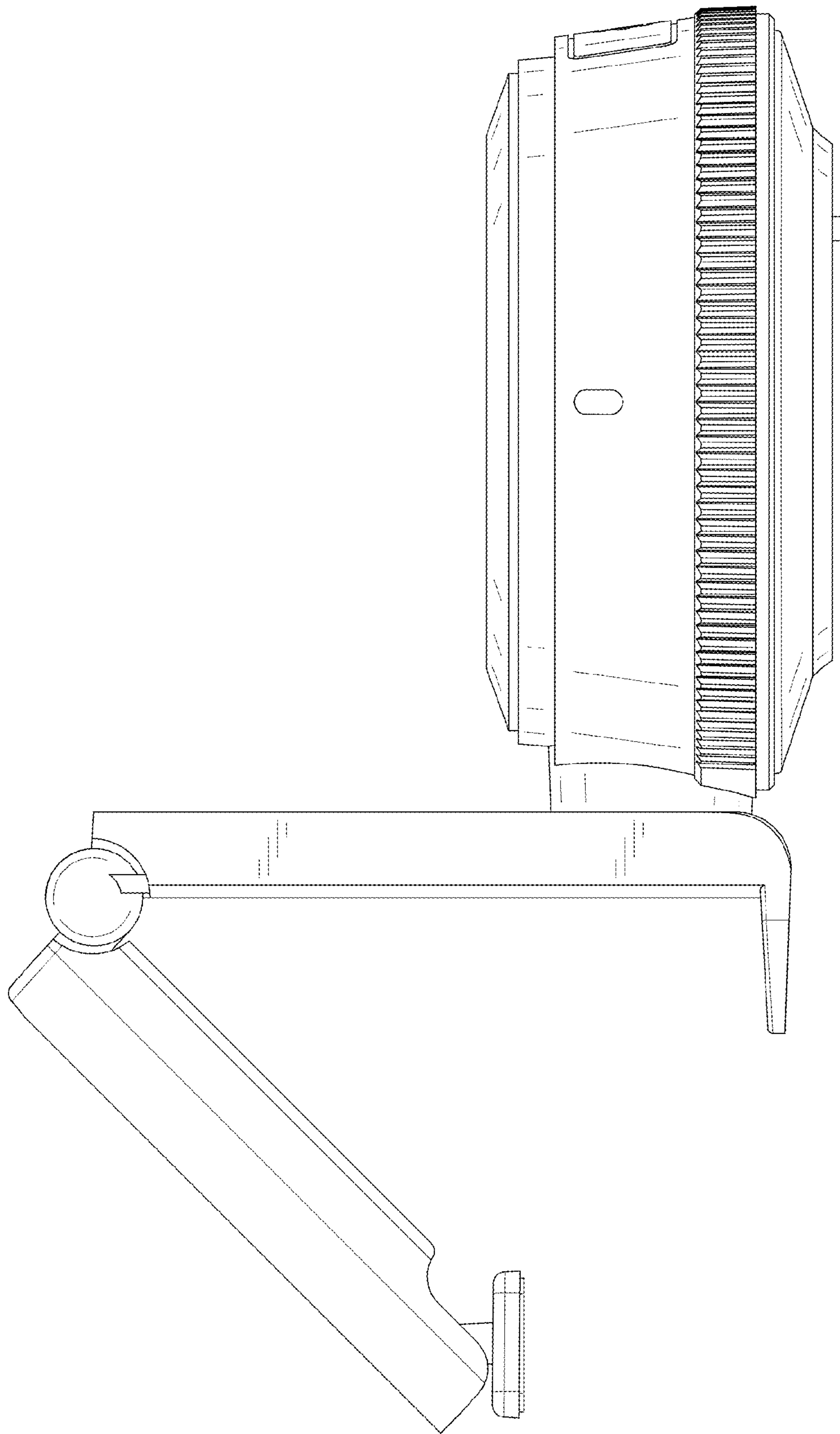


FIG. 6

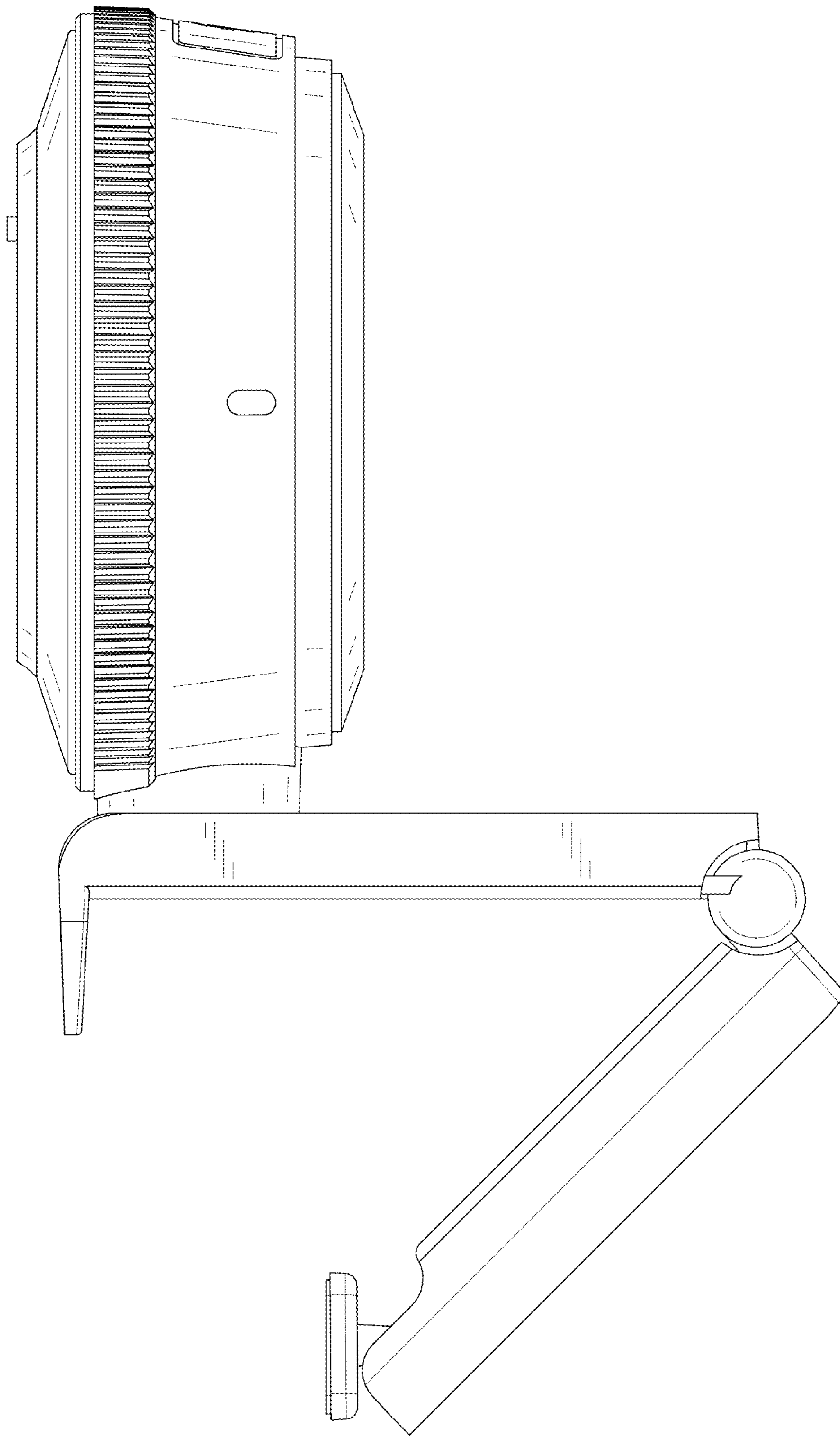


FIG. 7



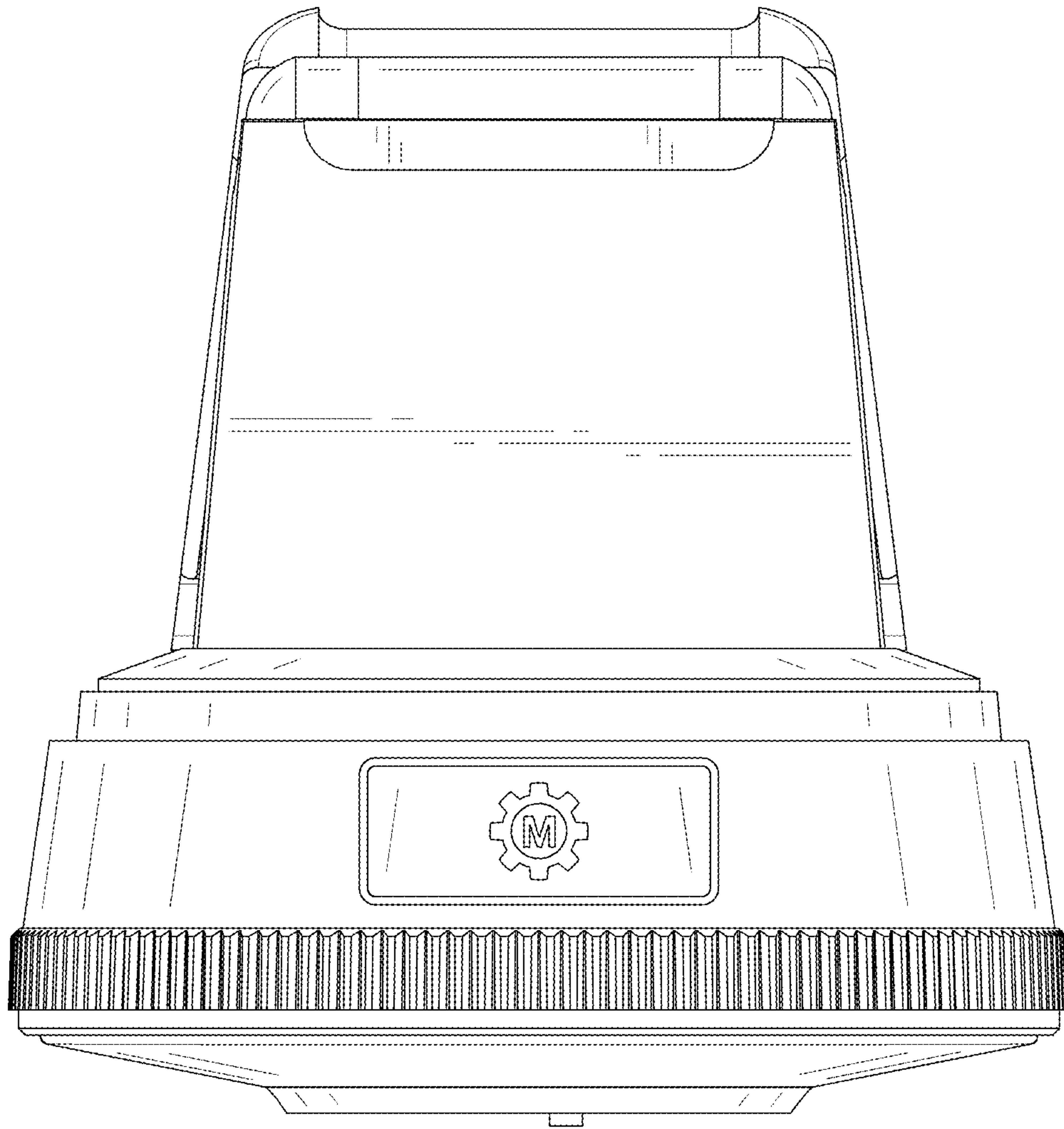


FIG. 8

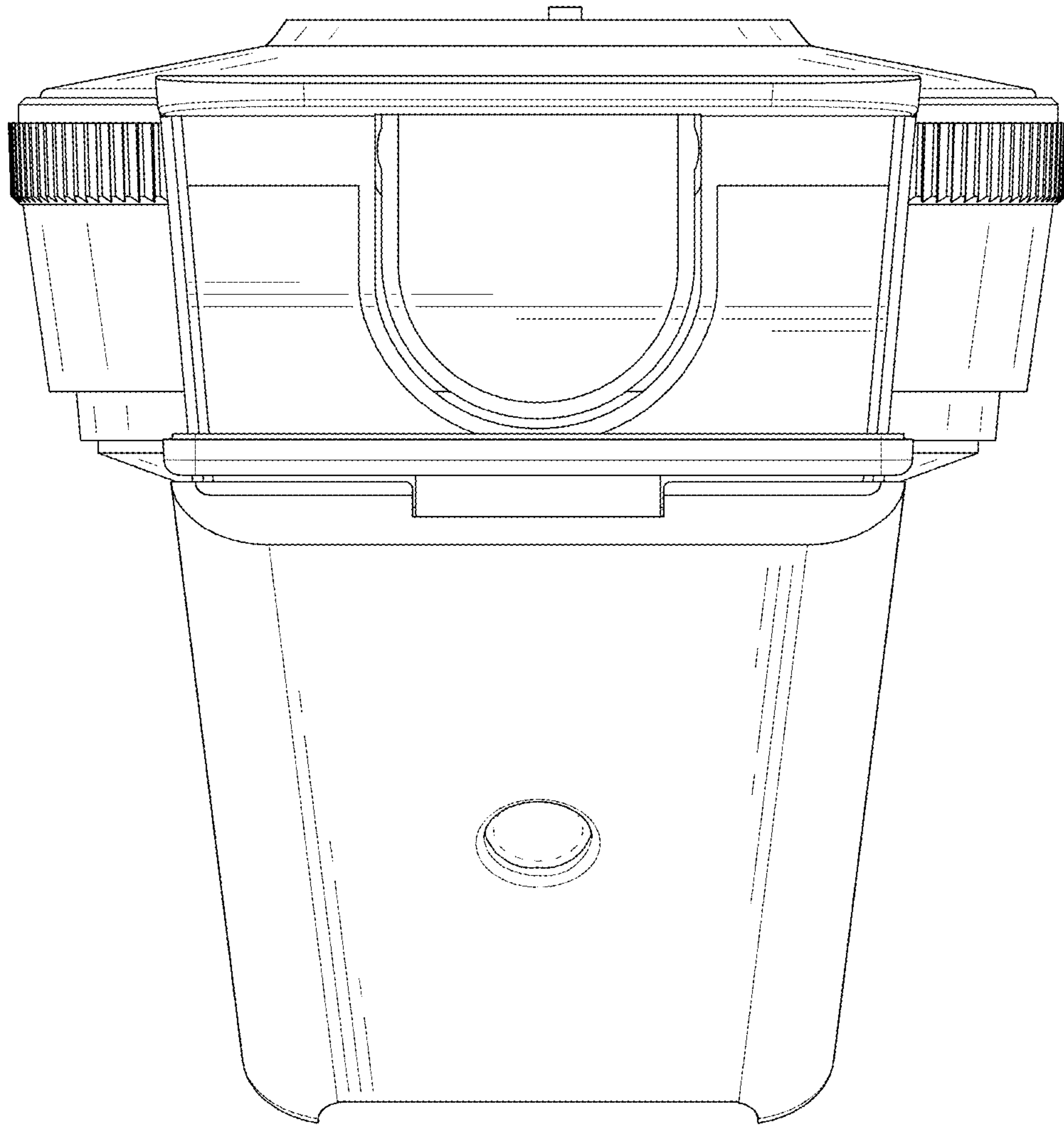


FIG. 9

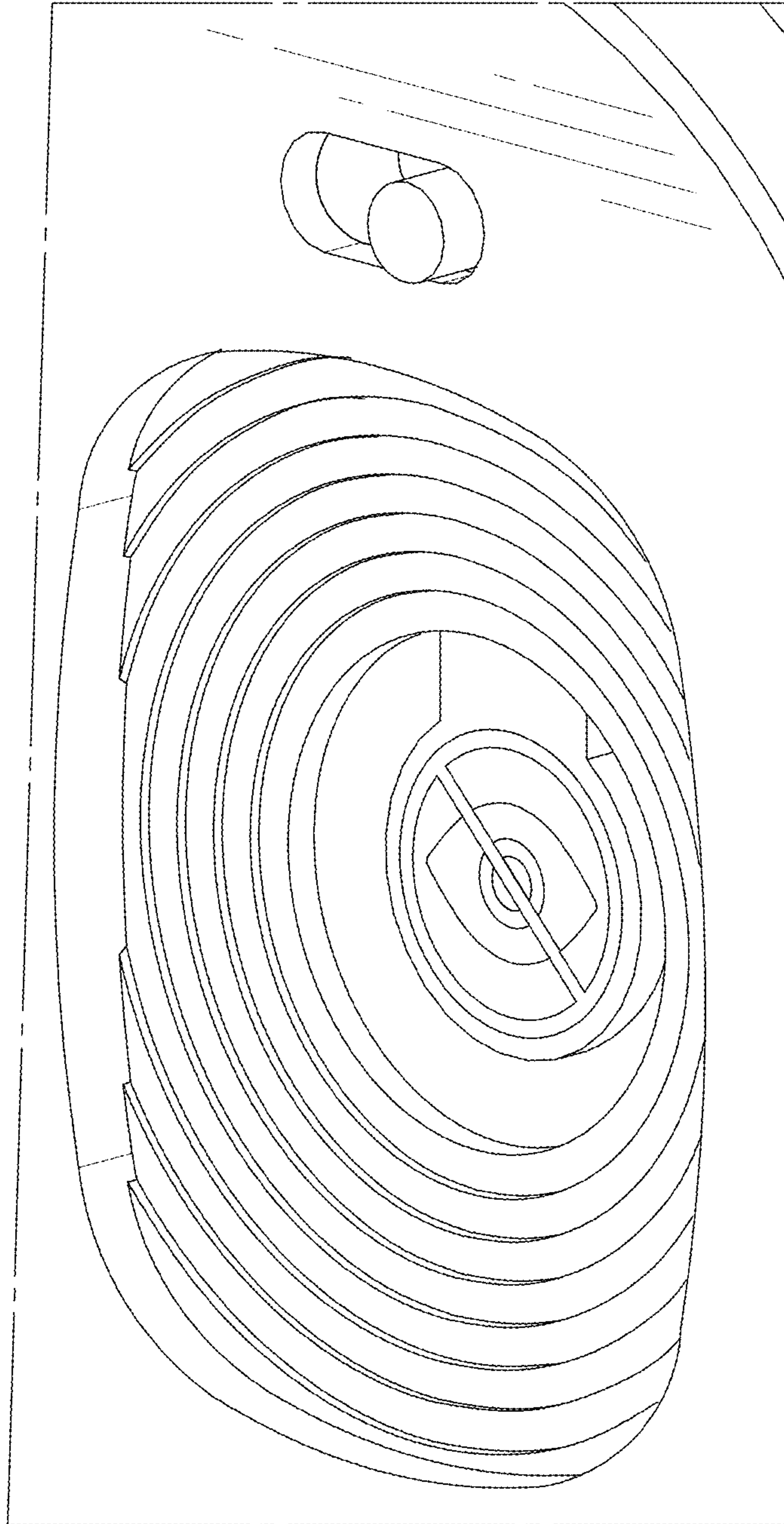


FIG. 10



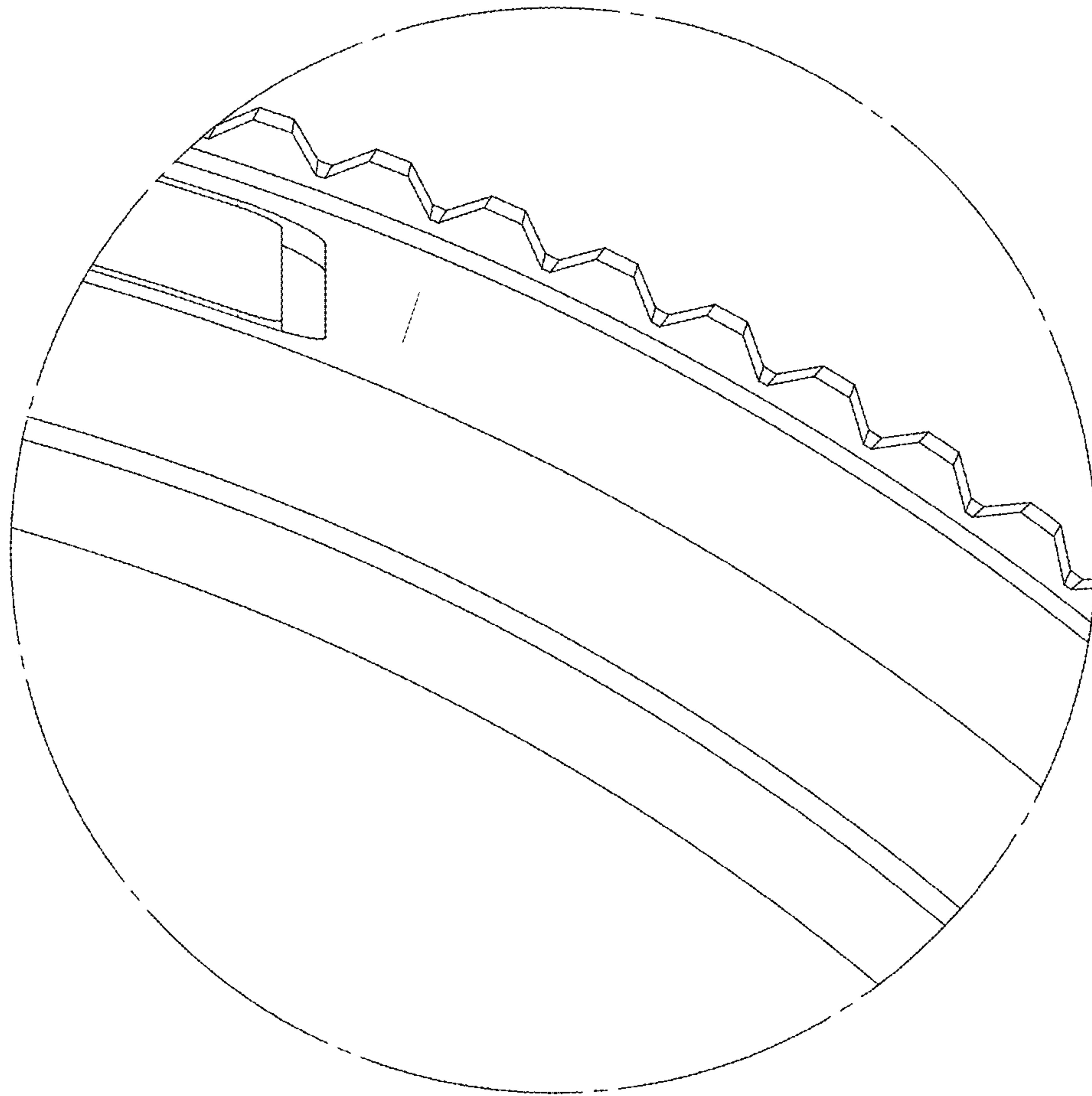


FIG. 11