



US00D952012S

(12) **United States Design Patent**  
**Gao**

(10) **Patent No.:** **US D952,012 S**

(45) **Date of Patent:** **\*\* May 17, 2022**

(54) **BINOCULARS**

(71) Applicant: **Zeyan Gao**, Dongguan (CN)

(72) Inventor: **Zeyan Gao**, Dongguan (CN)

(\*\*) Term: **15 Years**

(21) Appl. No.: **29/798,870**

(22) Filed: **Jul. 12, 2021**

(51) **LOC (13) Cl.** ..... **16-06**

(52) **U.S. Cl.**  
USPC ..... **D16/133**

(58) **Field of Classification Search**  
USPC ..... D16/130, 131, 132, 133, 135, 136, 200,  
D16/202, 203, 219, 230

CPC ..... G02B 23/00; G02B 23/18  
See application file for complete search history.

D867,418 S	11/2019	Sakai	
D869,535 S	12/2019	Schmitt	
D869,536 S	12/2019	Schmit	
D869,537 S	12/2019	Schmitt	
D869,538 S	12/2019	Schmitt	
D896,292 S *	9/2020	Ushio	D16/133
D896,293 S	9/2020	Ushio	
D898,794 S *	10/2020	Fischbach	D16/133
D916,162 S	4/2021	Sakai	
D930,060 S *	9/2021	Zhang	D16/133
D939,006 S *	12/2021	Suzuki	D16/133

\* cited by examiner

*Primary Examiner* — Richard Kearney

*Assistant Examiner* — Benjamin M Weeks

(74) *Attorney, Agent, or Firm* — Runit Ranjit Kanakia

(57) **CLAIM**

The ornamental design for a binoculars, as shown and described.

(56) **References Cited**

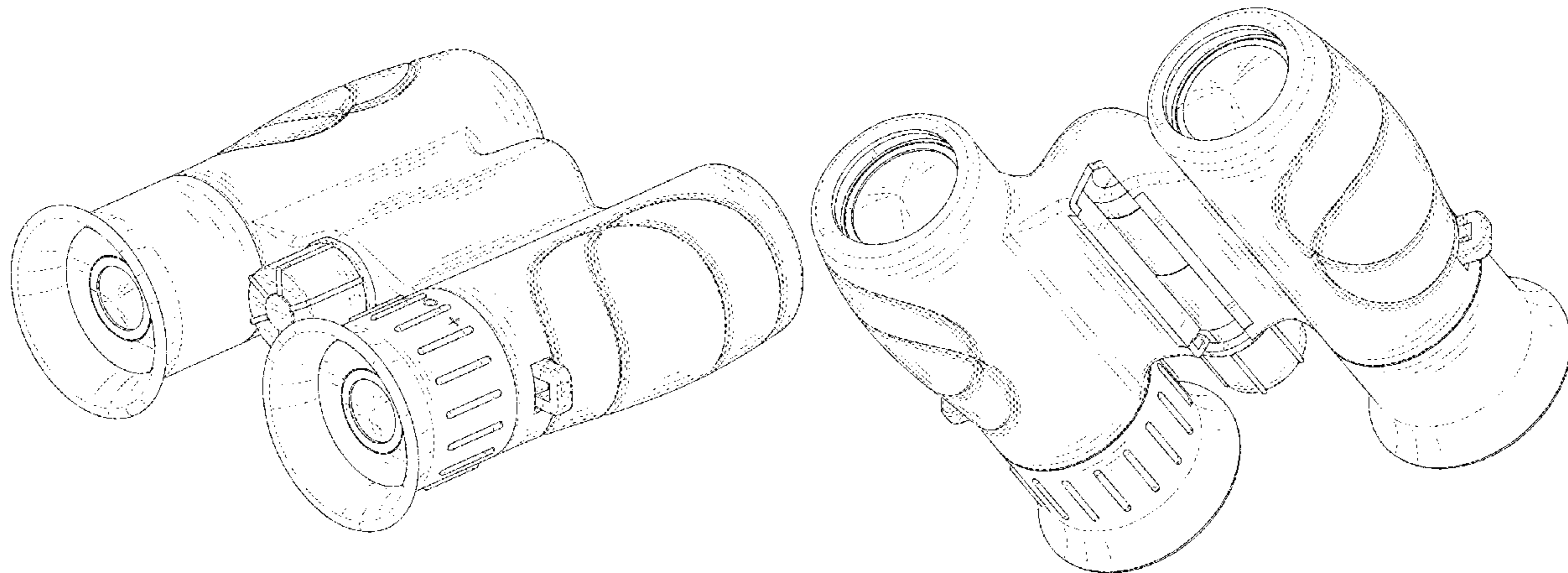
U.S. PATENT DOCUMENTS

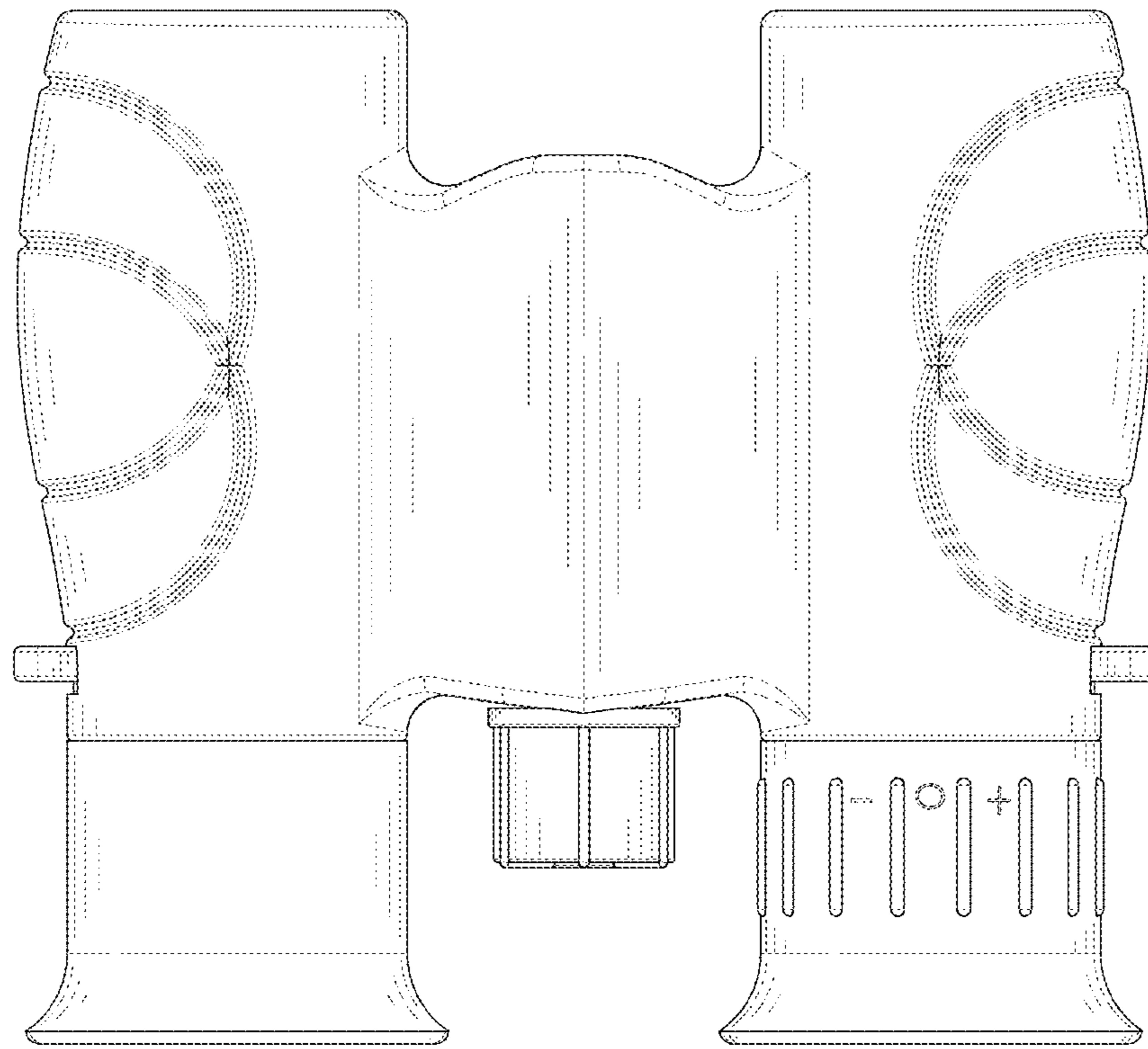
D590,856 S *	4/2009	Hayamizu	D16/133
D590,857 S *	4/2009	Fujii	D16/133
D627,378 S *	11/2010	Watanabe	D16/133
D628,610 S *	12/2010	Suzuki	D16/133
D646,311 S *	10/2011	Hoelbl	D16/133
D660,895 S *	5/2012	Fischbach	D16/133
D700,644 S *	3/2014	Asano	D16/133
D706,848 S *	6/2014	Kobayashi	G02B 23/00 D16/136
D716,859 S *	11/2014	Nakajima	D16/133
D816,749 S *	5/2018	Kung	D16/133
D847,246 S *	4/2019	Fischbach	D16/133
D859,489 S	9/2019	Kobayashi	
D859,491 S	9/2019	Khubani	
D867,416 S *	11/2019	Radau	D16/133
D867,417 S	11/2019	Sakai	

**DESCRIPTION**

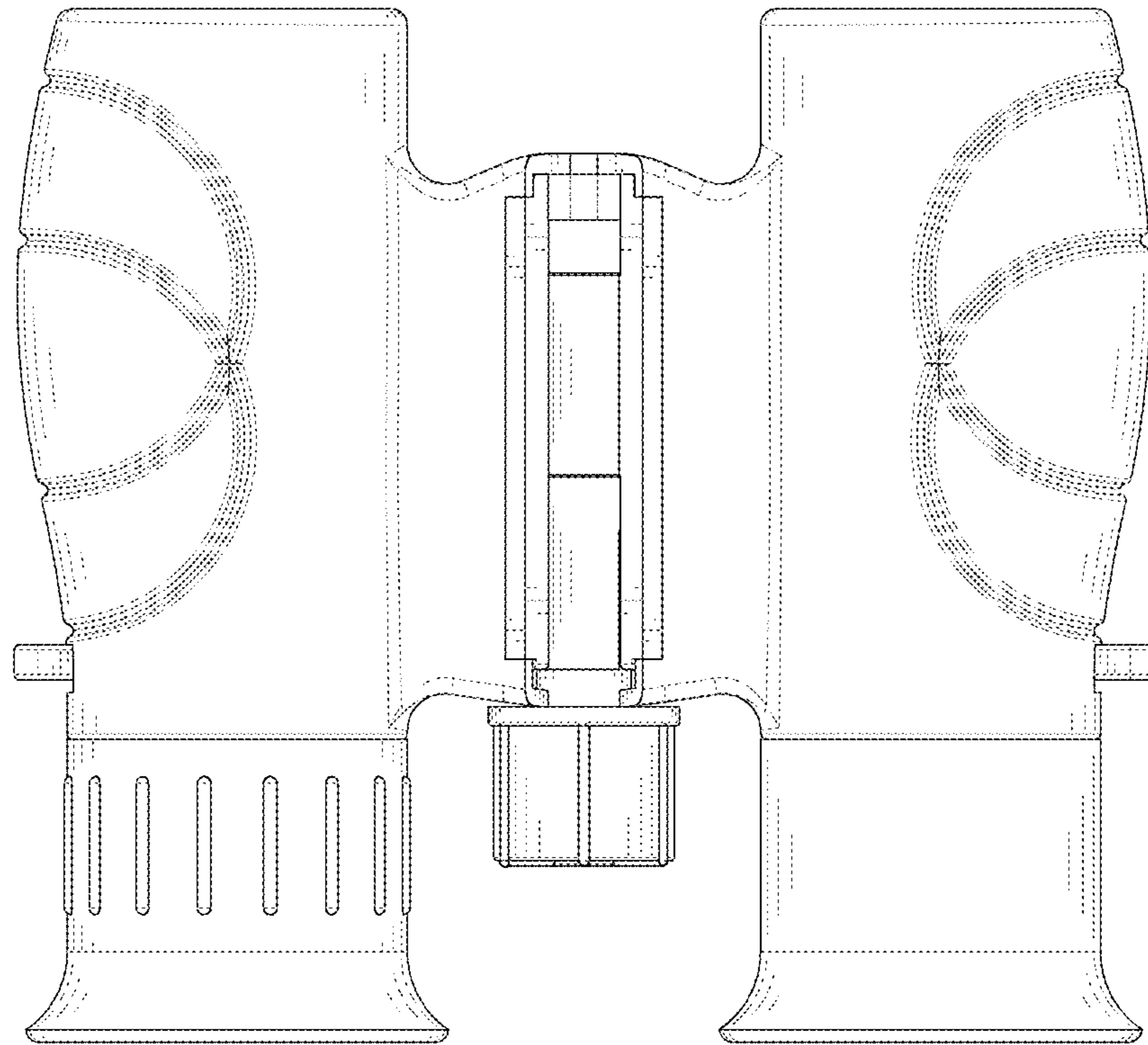
FIG. 1 is a front elevational view of a binoculars showing my new design;  
 FIG. 2 is a rear elevational view thereof; and  
 FIG. 3 is a left elevational view thereof;  
 FIG. 4 is a right side view thereof;  
 FIG. 5 is a top side view thereof;  
 FIG. 6 is a bottom plan view thereof;  
 FIG. 7 is a perspective view of a binoculars showing my new design; and,  
 FIG. 8 is another perspective view thereof.  
 The broken lines in the figures are for the purposes of illustrating portions of the binoculars, which form no part of the claimed design.

**1 Claim, 8 Drawing Sheets**

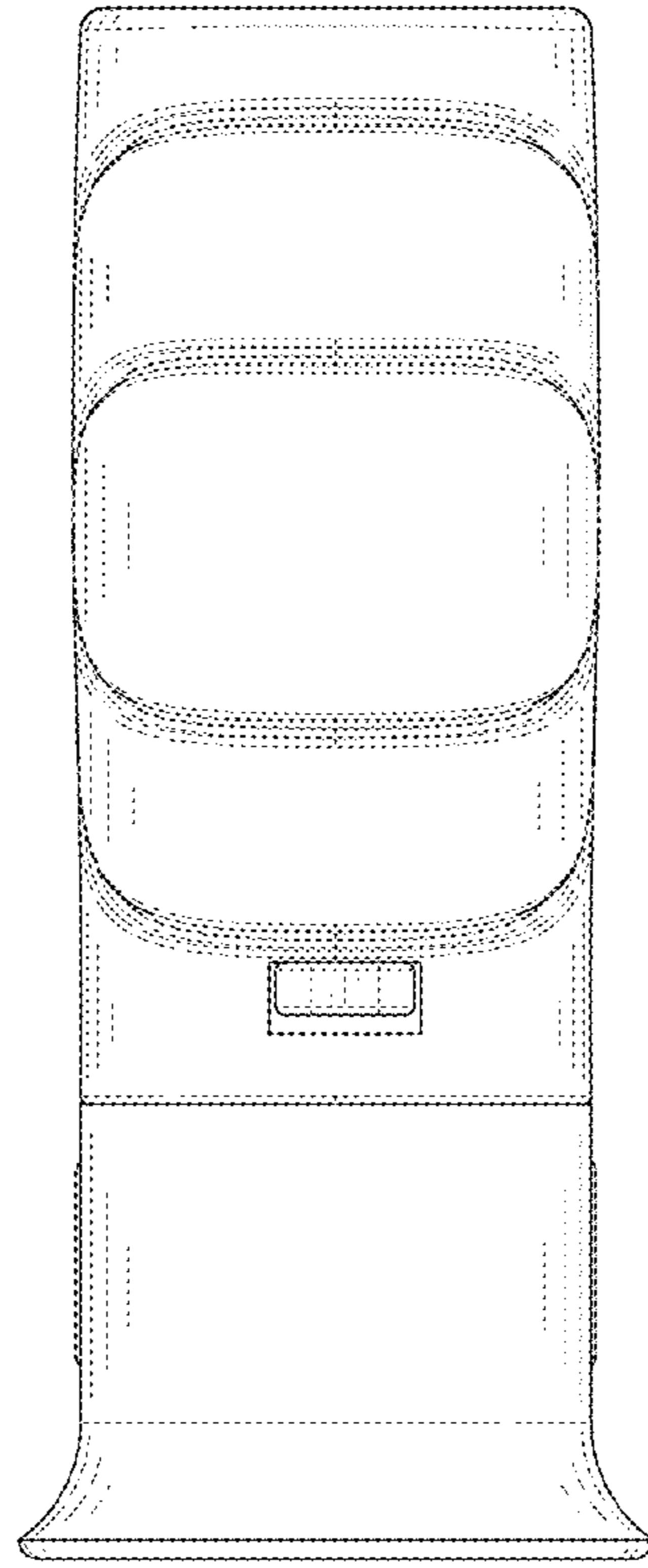




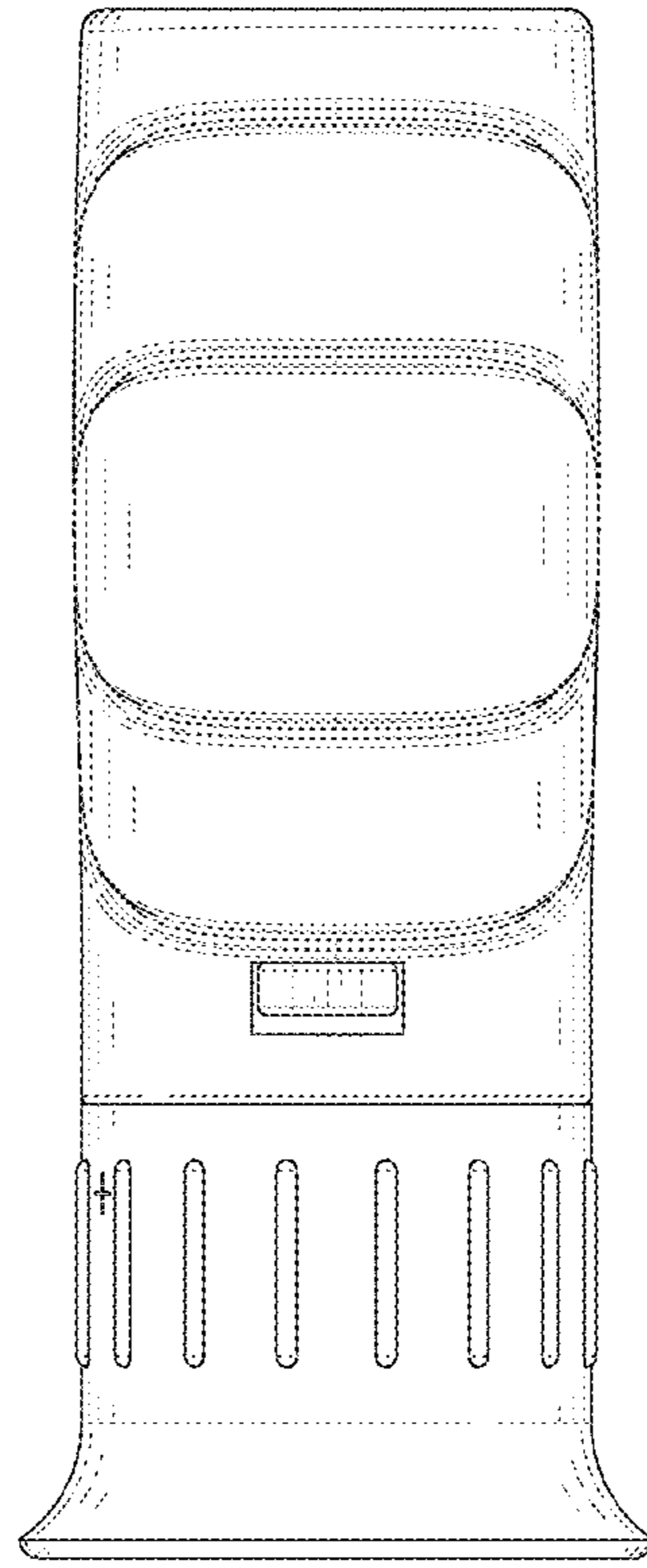
**FIG. 1**



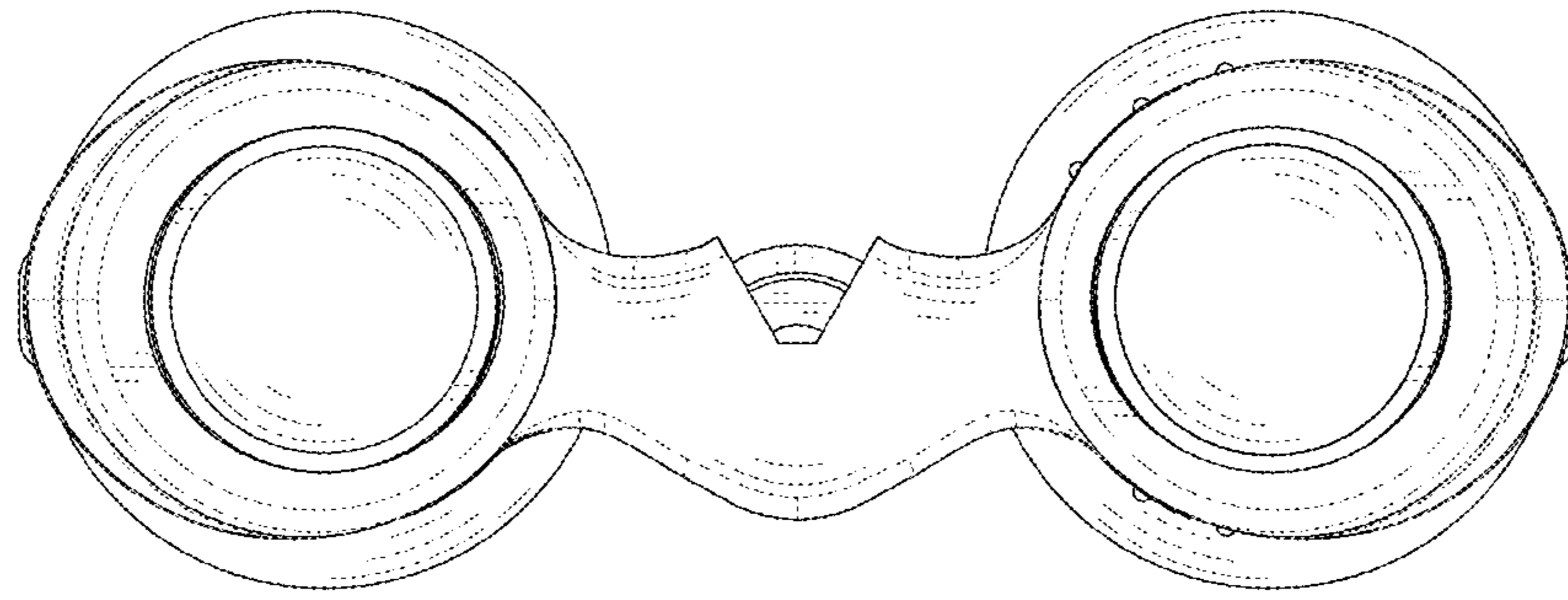
**FIG. 2**



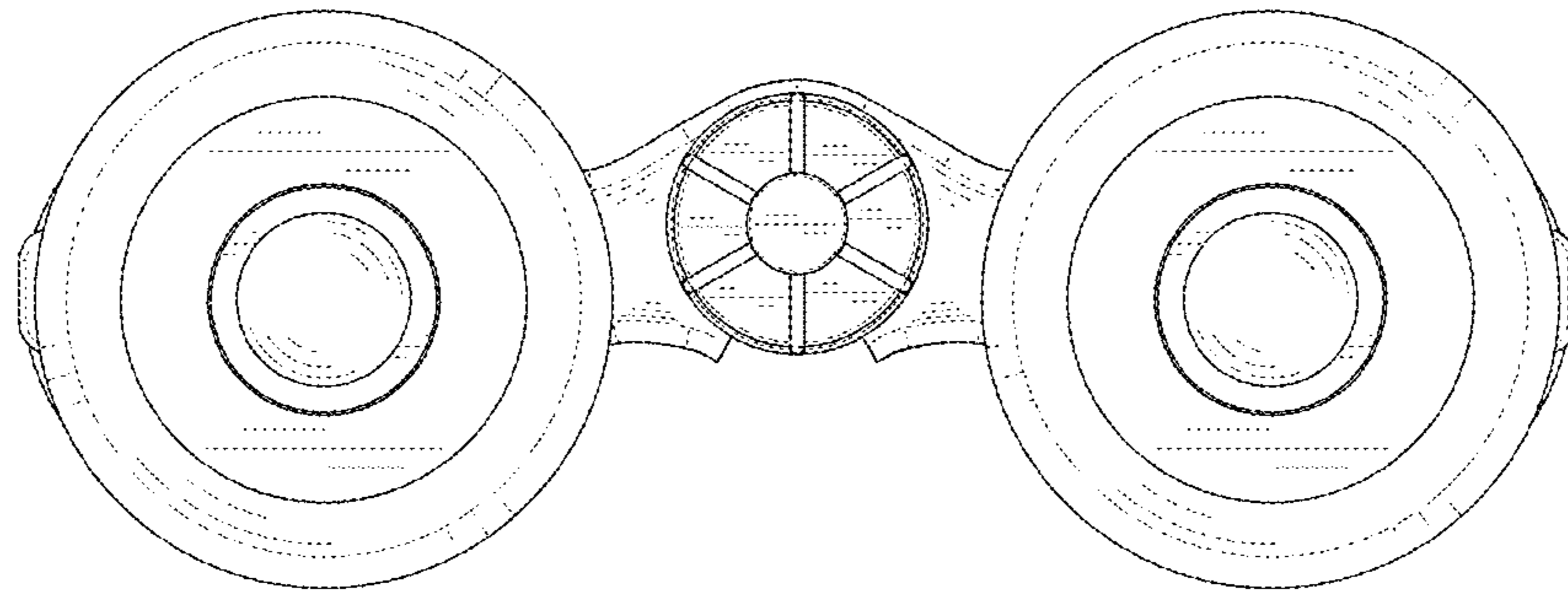
**FIG. 3**



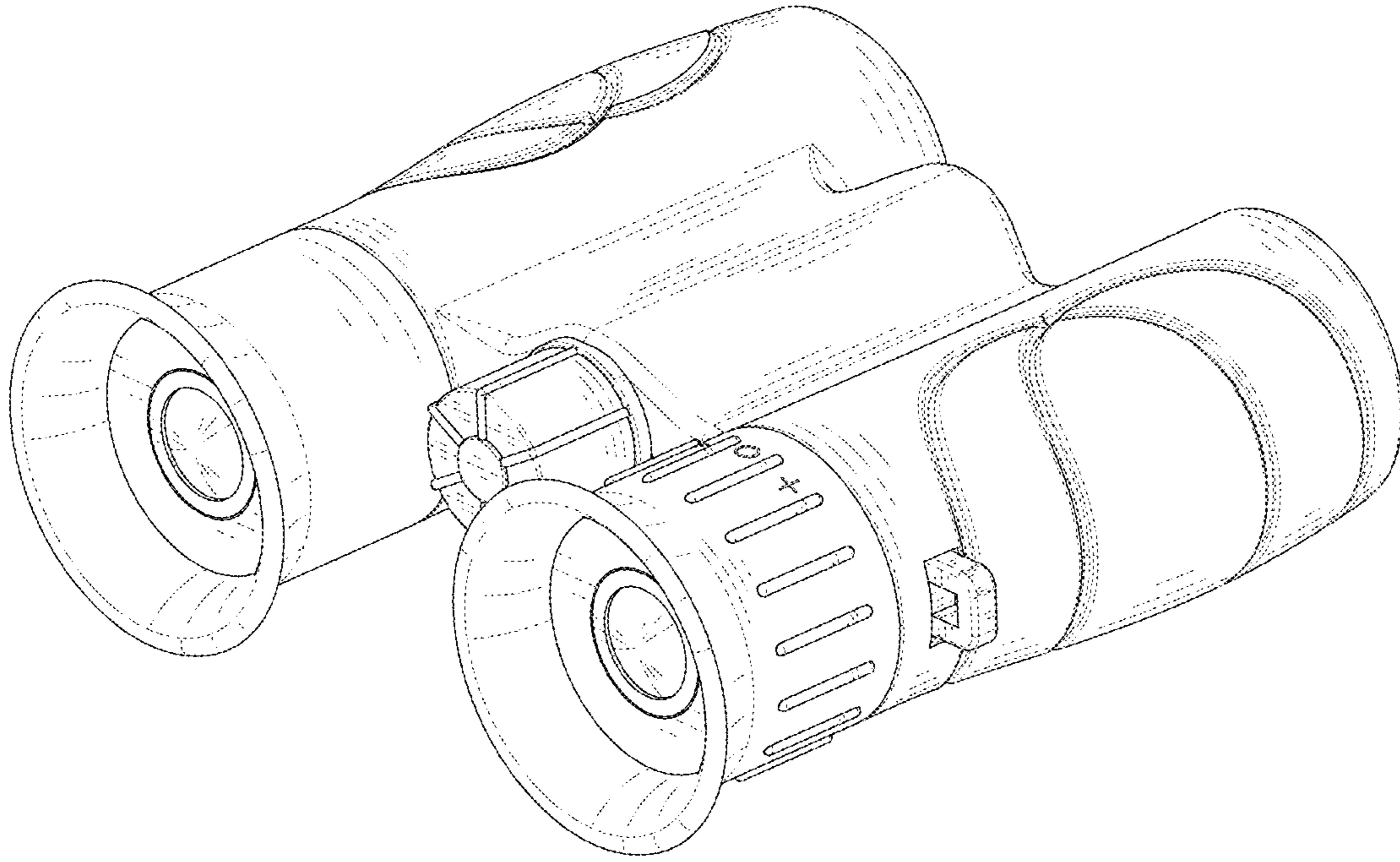
**FIG. 4**



***FIG. 5***

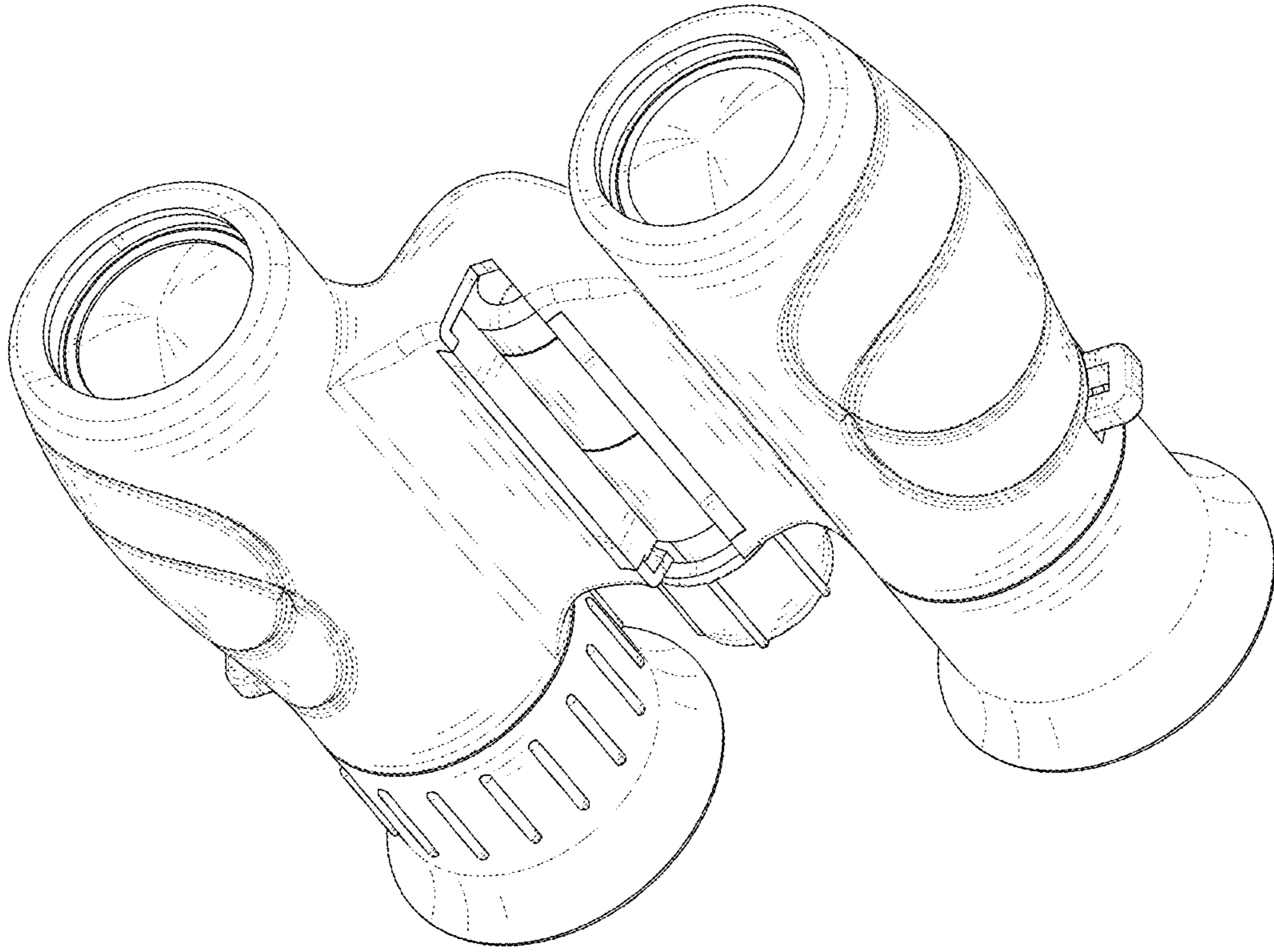


***FIG. 6***



**FIG. 7**





**FIG. 8**