



US00D952010S

(12) **United States Design Patent**
Ju et al.

(10) **Patent No.:** **US D952,010 S**

(45) **Date of Patent:** **** May 17, 2022**

(54) **KEY CUTTING MACHINE**

(71) Applicant: **RED Technology Co., Ltd**, Daejeon (KR)

(72) Inventors: **Jae Sung Ju**, Daejeon (KR); **Bum Suk Ho**, Daejeon (KR); **Yong Geun Lim**, Daejeon (KR); **Hui Su Park**, Daejeon (KR)

(**) Term: **15 Years**

(21) Appl. No.: **35/511,711**

(22) Filed: **Oct. 16, 2020**

(80) **Hague Agreement Data**

Int. Filing Date: **Oct. 16, 2020**

Int. Reg. No.: **DM/211369**

Int. Reg. Date: **Oct. 16, 2020**

Int. Reg. Pub. Date: **Apr. 16, 2021**

(51) **LOC (13) Cl.** **15-09**

(52) **U.S. Cl.**
USPC **D15/127**

(58) **Field of Classification Search**
USPC D15/122, 127, 130, 131, 138, 139, 135,
D15/145

CPC B25B 1/24; B25B 1/103; B23C 3/355;
B23C 3/35

See application file for complete search history.

(56) **References Cited**

U.S. PATENT DOCUMENTS

- 4,898,504 A * 2/1990 Agius B23C 3/35
409/218
- D441,379 S * 5/2001 Kanat D15/127
- 6,839,449 B1 * 1/2005 Campbell G06K 9/00
382/209
- D760,825 S * 7/2016 Solorzano D15/135
- D763,330 S * 8/2016 Olivé D15/135
- D777,808 S * 1/2017 Chang D15/135
- D787,574 S * 5/2017 Lee D15/122

- D809,574 S * 2/2018 Lin D15/135
- D837,271 S * 1/2019 Tinius D15/131
- D869,267 S * 12/2019 Ju D8/499
- D871,463 S * 12/2019 Cao D15/122
- D903,730 S * 12/2020 Johnson D15/135
- D927,565 S * 8/2021 Yao D15/122
- D927,566 S * 8/2021 Yao D15/122
- D934,926 S * 11/2021 Hong D15/122
- D934,927 S * 11/2021 Hong D15/122
- D937,911 S * 12/2021 Shin D15/122
- D937,912 S * 12/2021 Reches D15/122
- 2007/0224008 A1 * 9/2007 Bass G06V 20/66
409/81
- 2011/0164938 A1 * 7/2011 Bass G06V 10/46
409/81

(Continued)

OTHER PUBLICATIONS

“PRODUCT” [online], iredt. [Retrieved on Feb. 26, 2022]. Retrieved from the Internet: <<https://www.iredt.com/en/product/>>.*

Primary Examiner — Mojtaba Tehrani

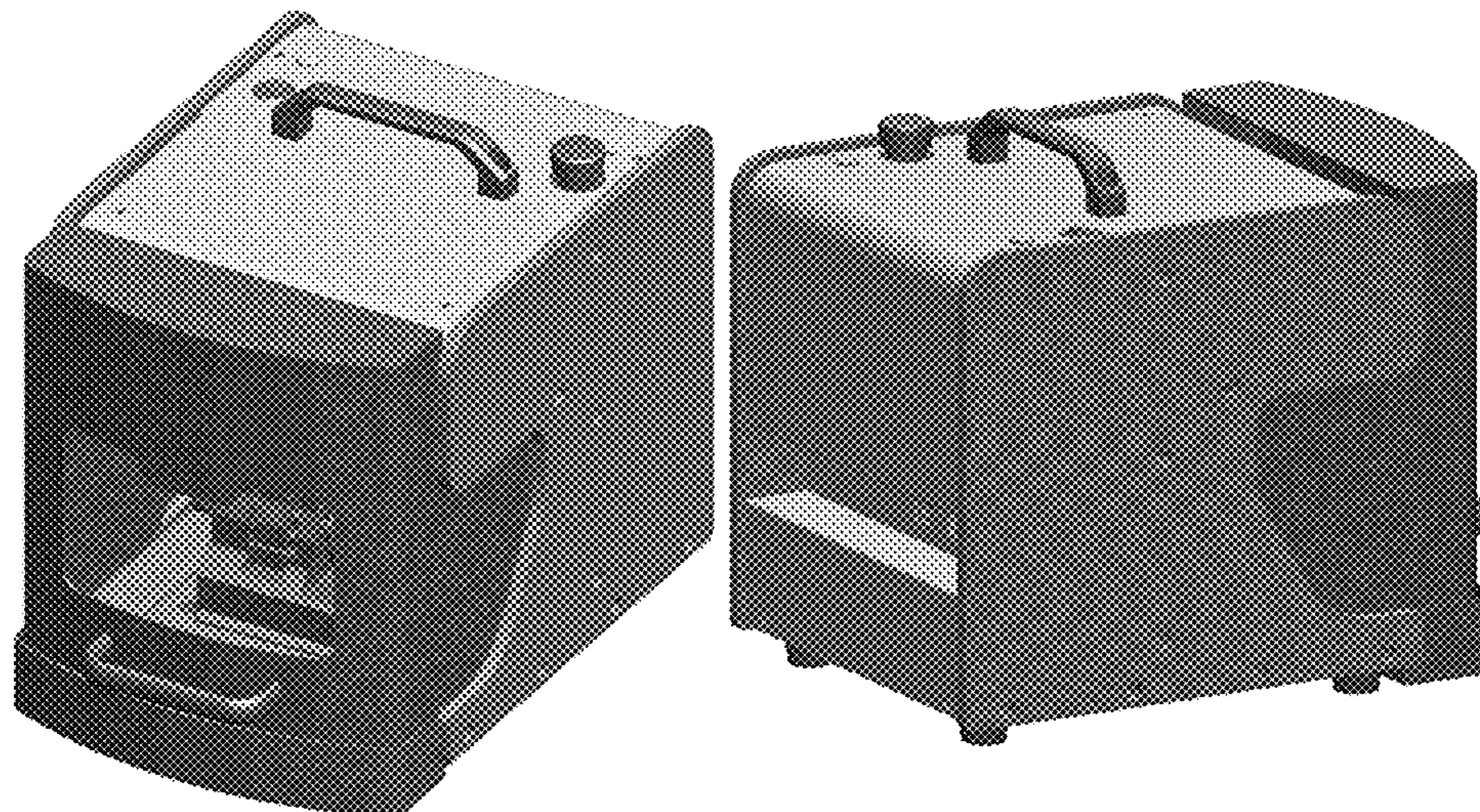
(57) **CLAIM**

The ornamental design for a key cutting machine, as shown and described.

DESCRIPTION

- 1. Key cutting machine
- 1.1 : Perspective
- 1.2 : Perspective
- 1.3 : Perspective
- 1.4 : Perspective
- 1.5 : Perspective
- 1.6 : Perspective
- 1.7 : Front
- 1.8 : Back
- 1.9 : Top
- 1.10 : Bottom
- 1.11 : Left
- 1.12 : Right

1 Claim, 12 Drawing Sheets



(56)

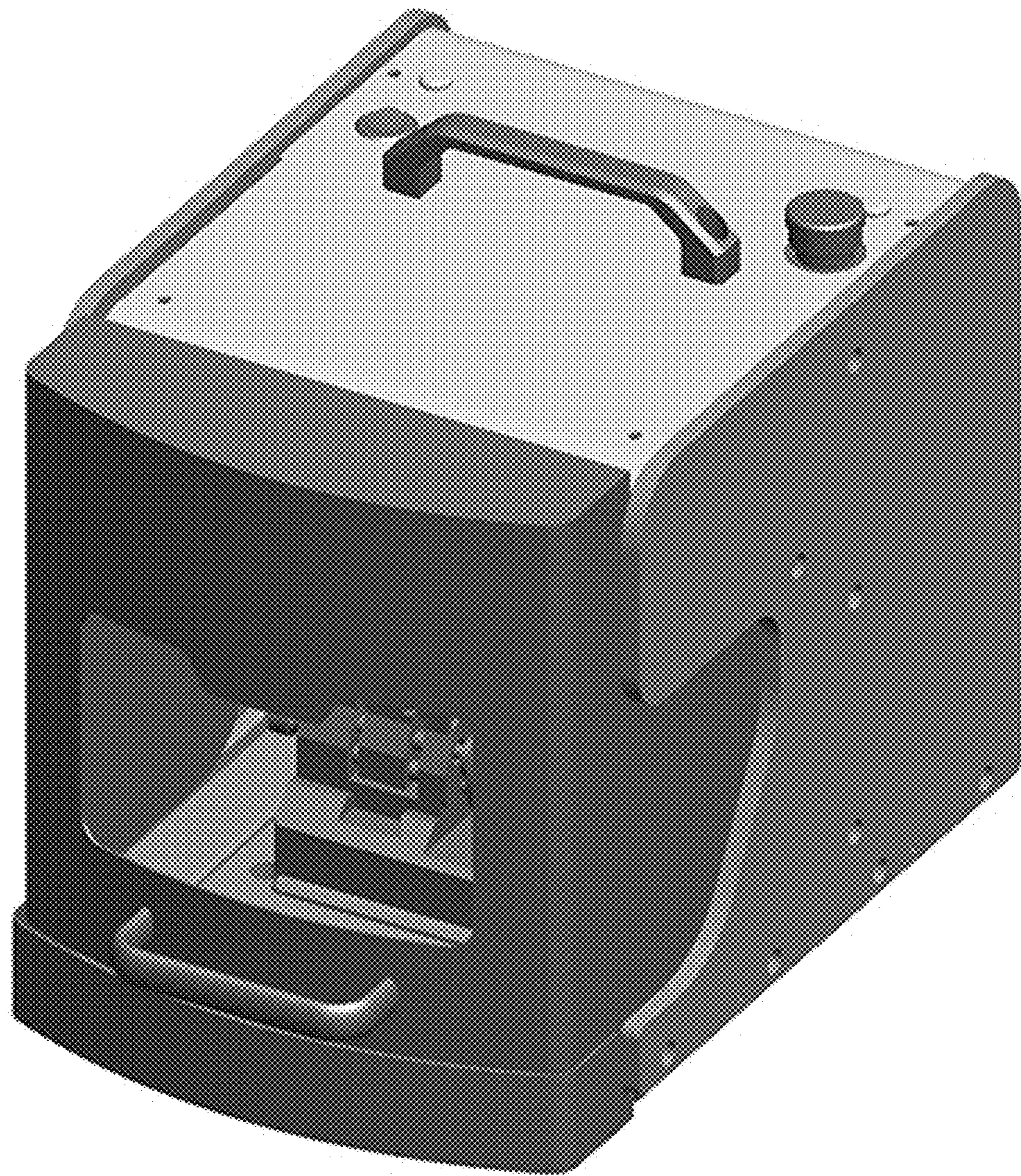
References Cited

U.S. PATENT DOCUMENTS

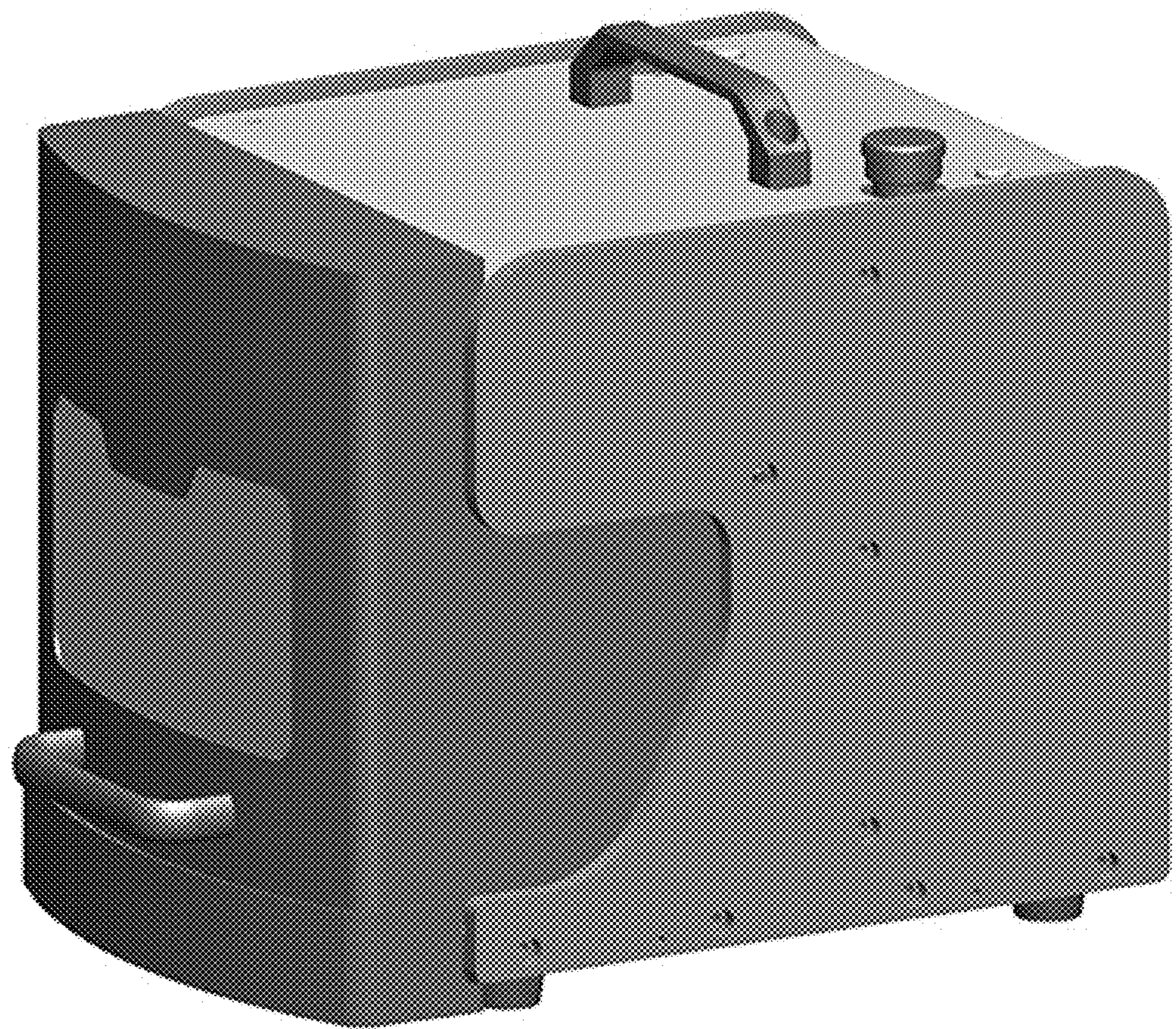
2011/0262240 A1* 10/2011 Mutch G06V 10/46
409/82
2011/0297691 A1* 12/2011 Freeman B23C 3/35
194/353
2013/0294857 A1* 11/2013 Bass B23P 15/005
409/82
2016/0193709 A1* 7/2016 Johnson F16D 1/0864
425/375
2019/0061249 A1* 2/2019 Lee B33Y 40/00
2021/0260672 A1* 8/2021 Mutch G06V 10/44

* cited by examiner

1.1



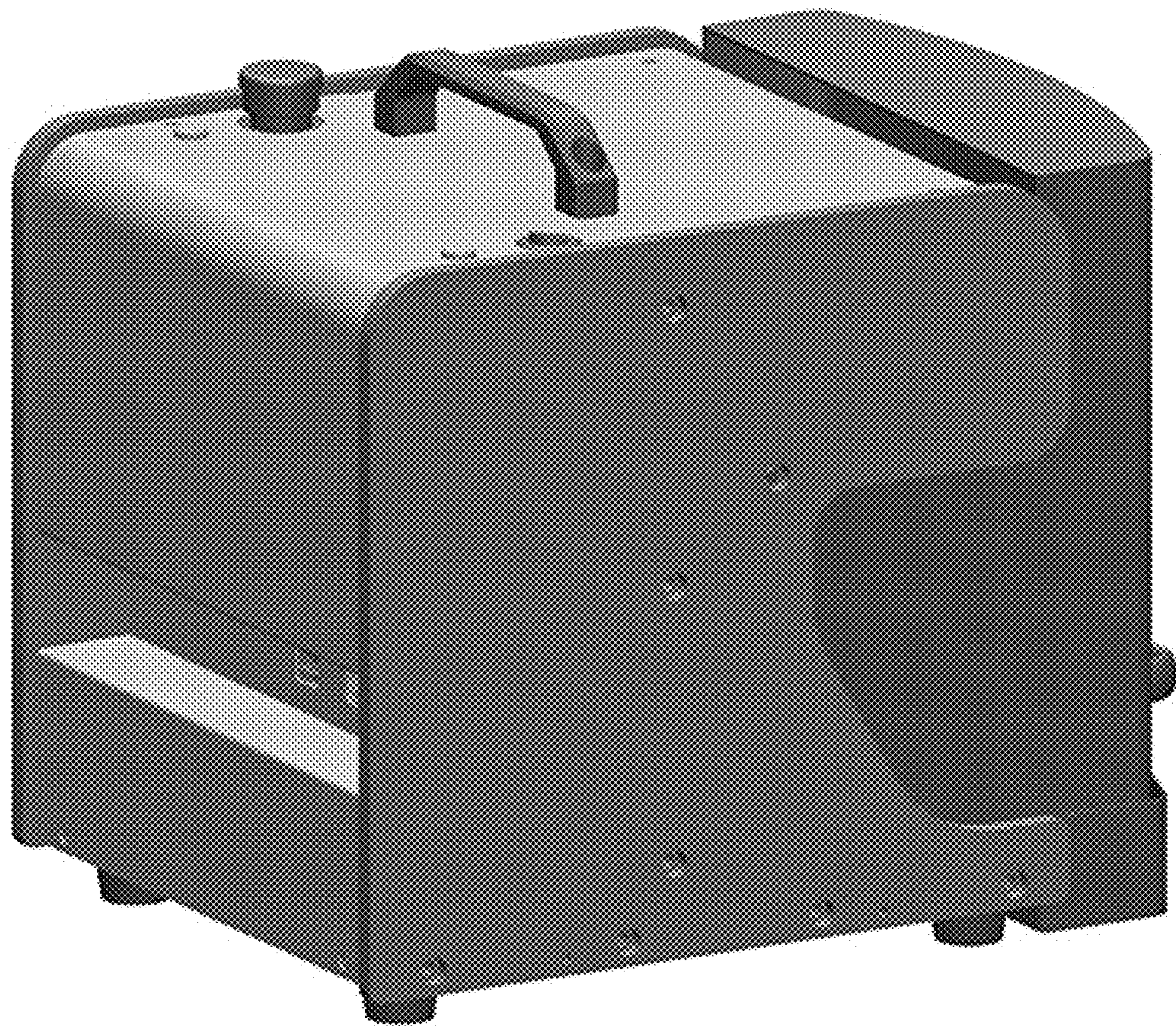
1.2



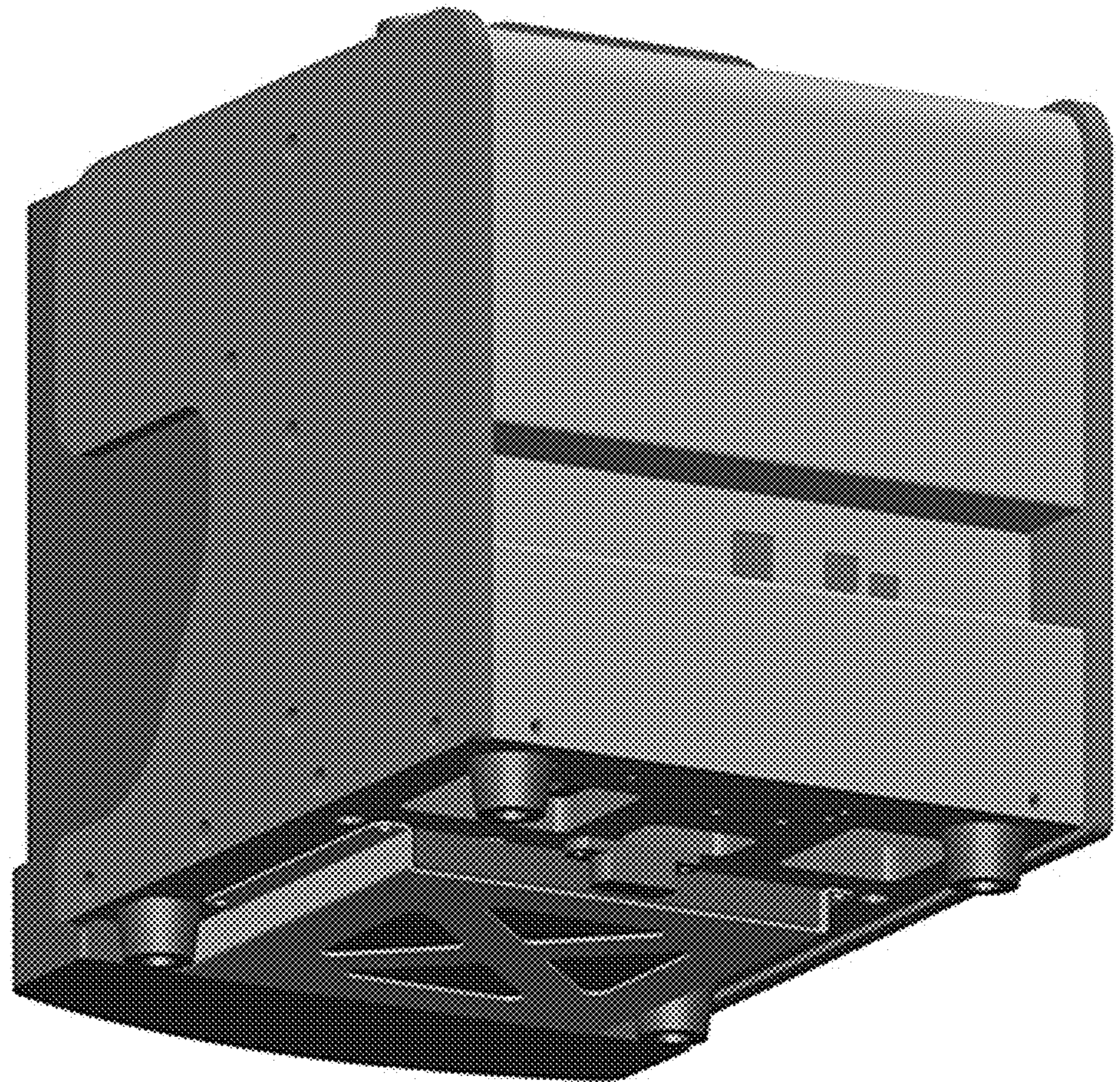
1.3



1.4



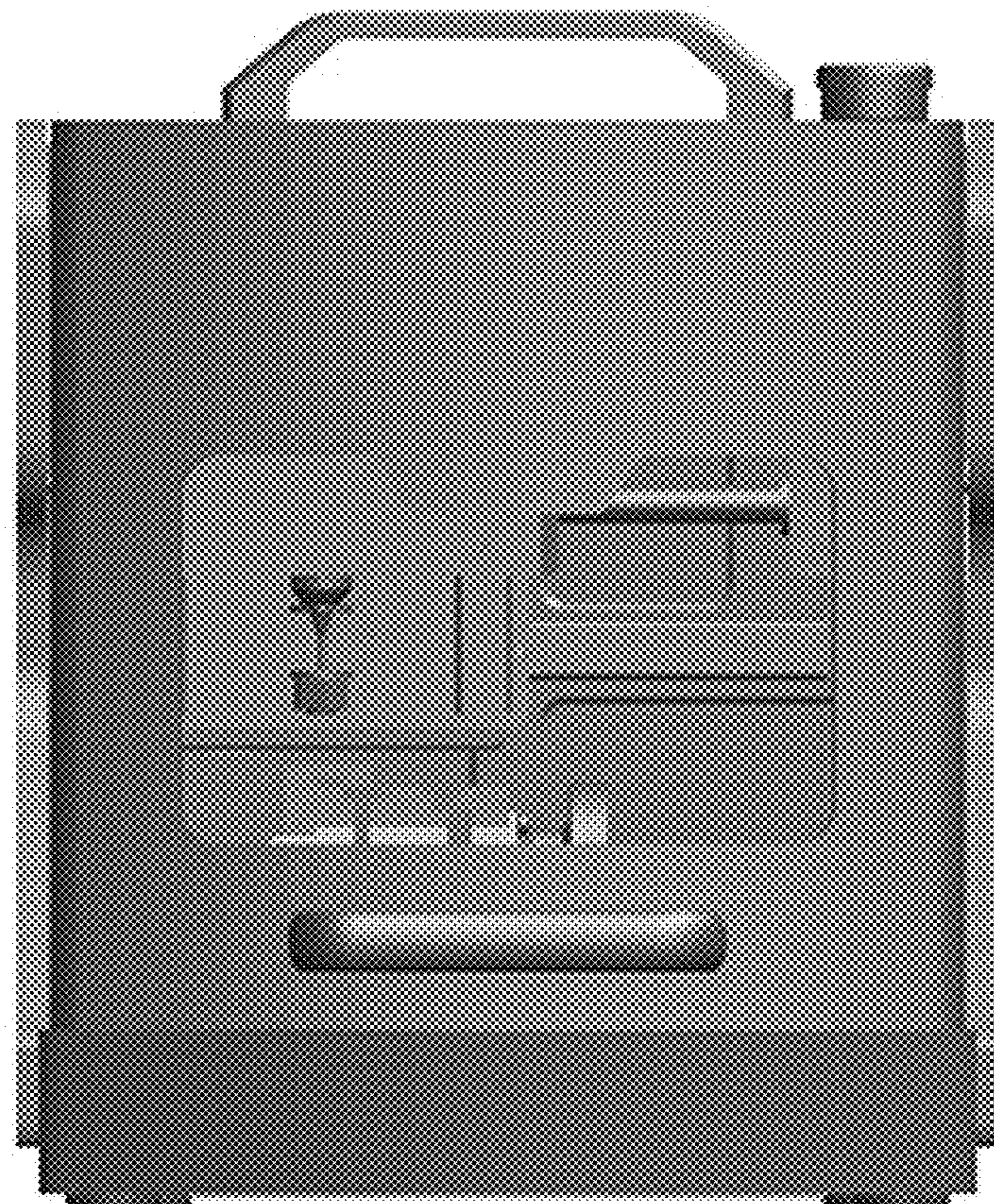
1.5



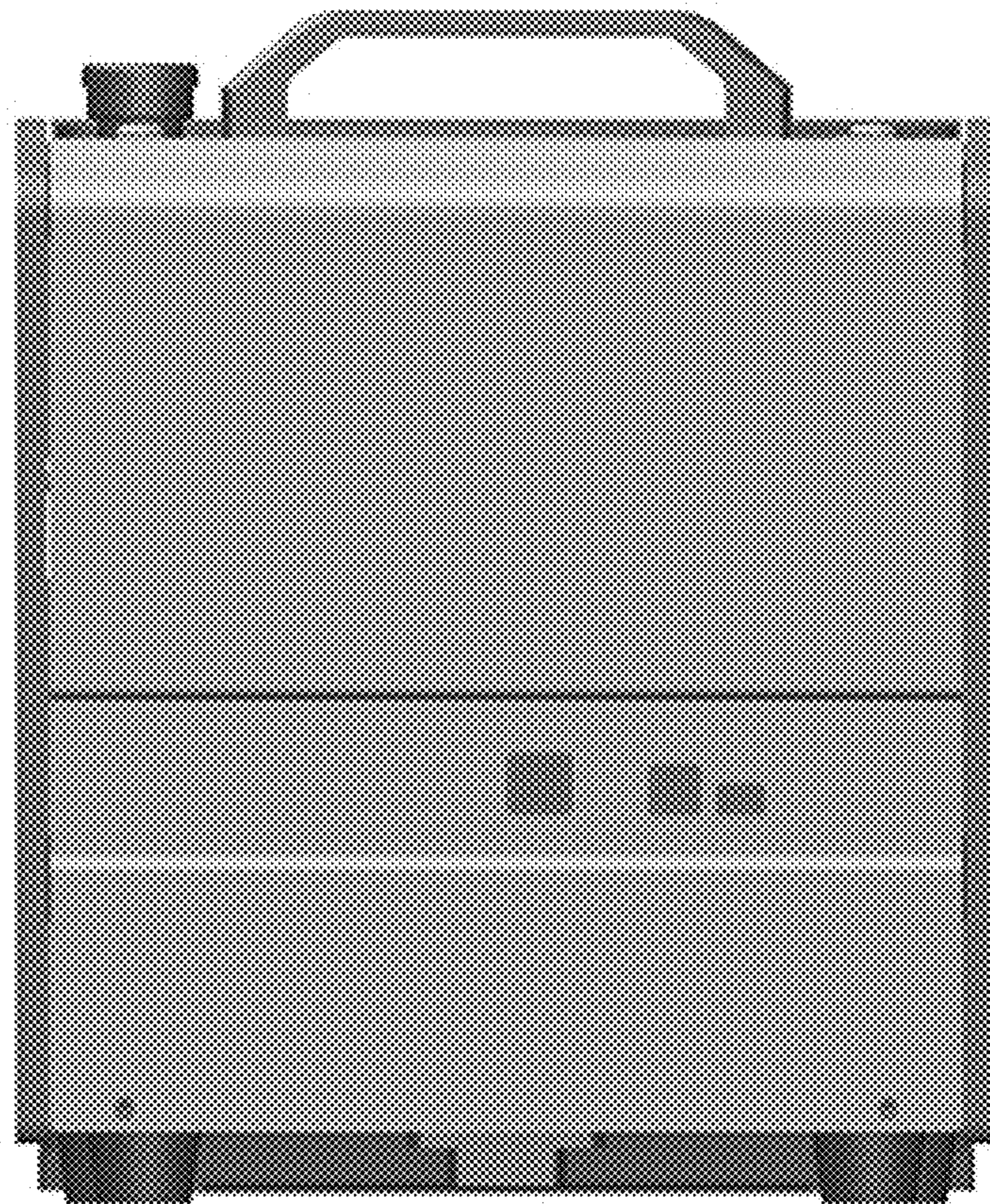
1.6



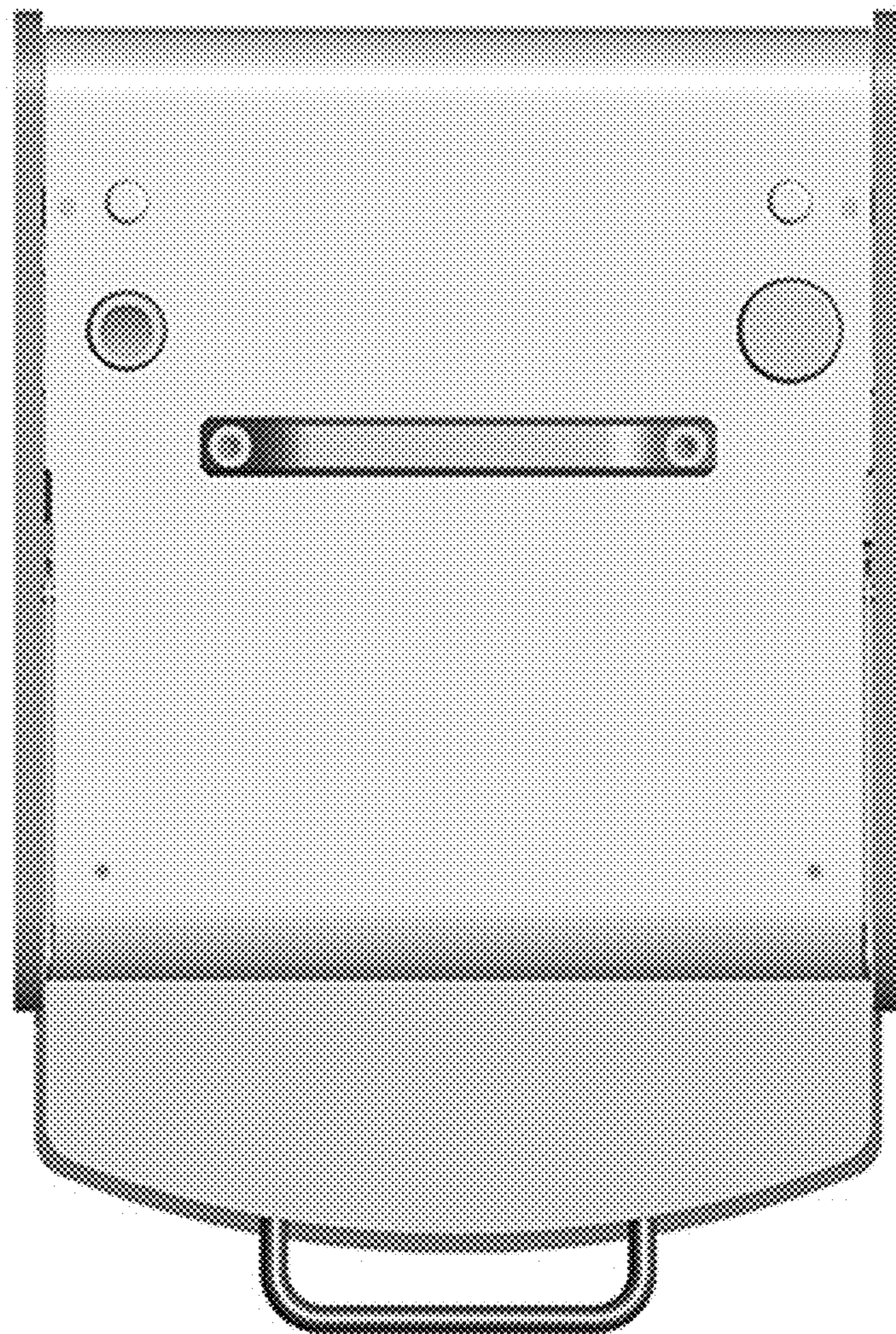
1.7



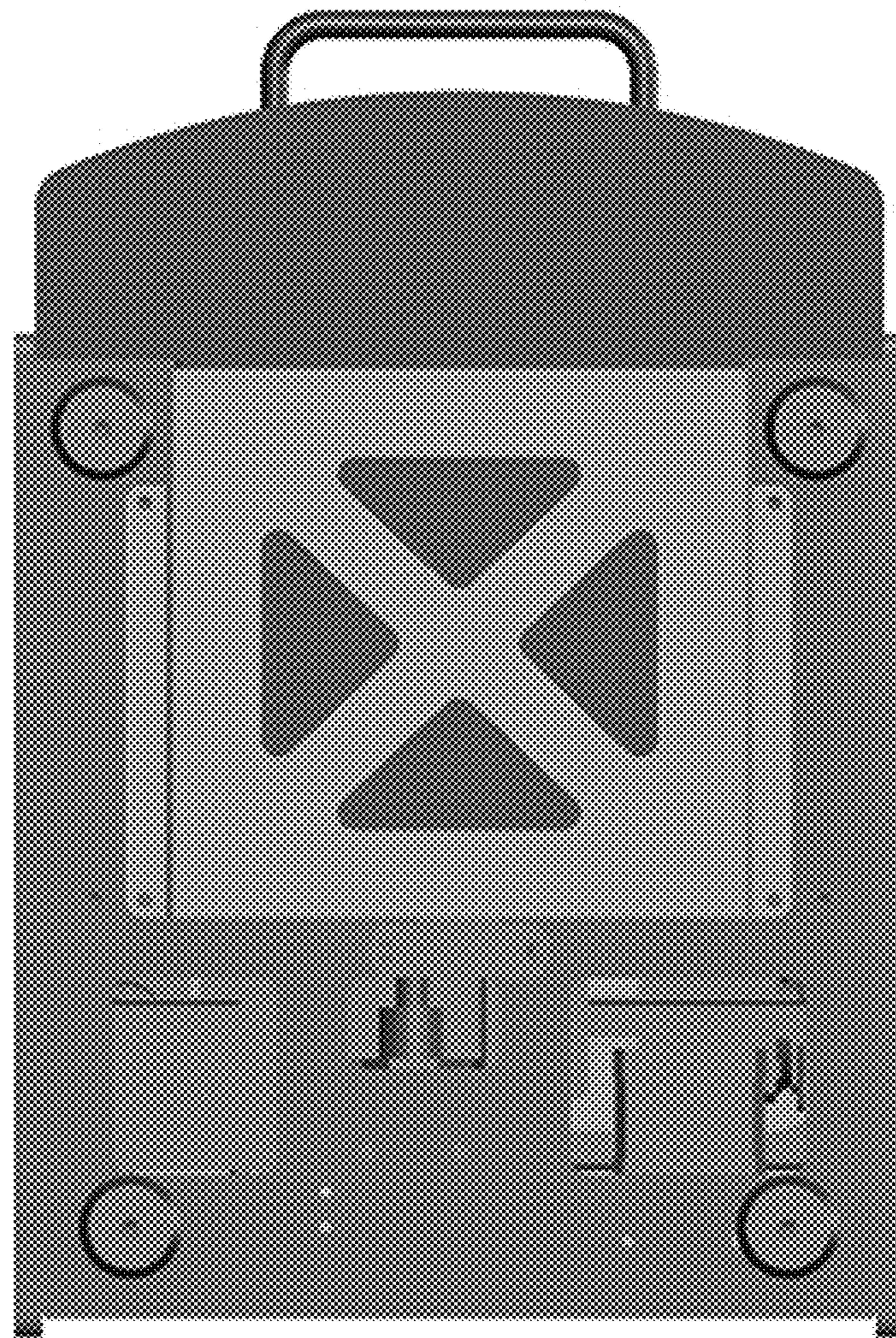
1.8



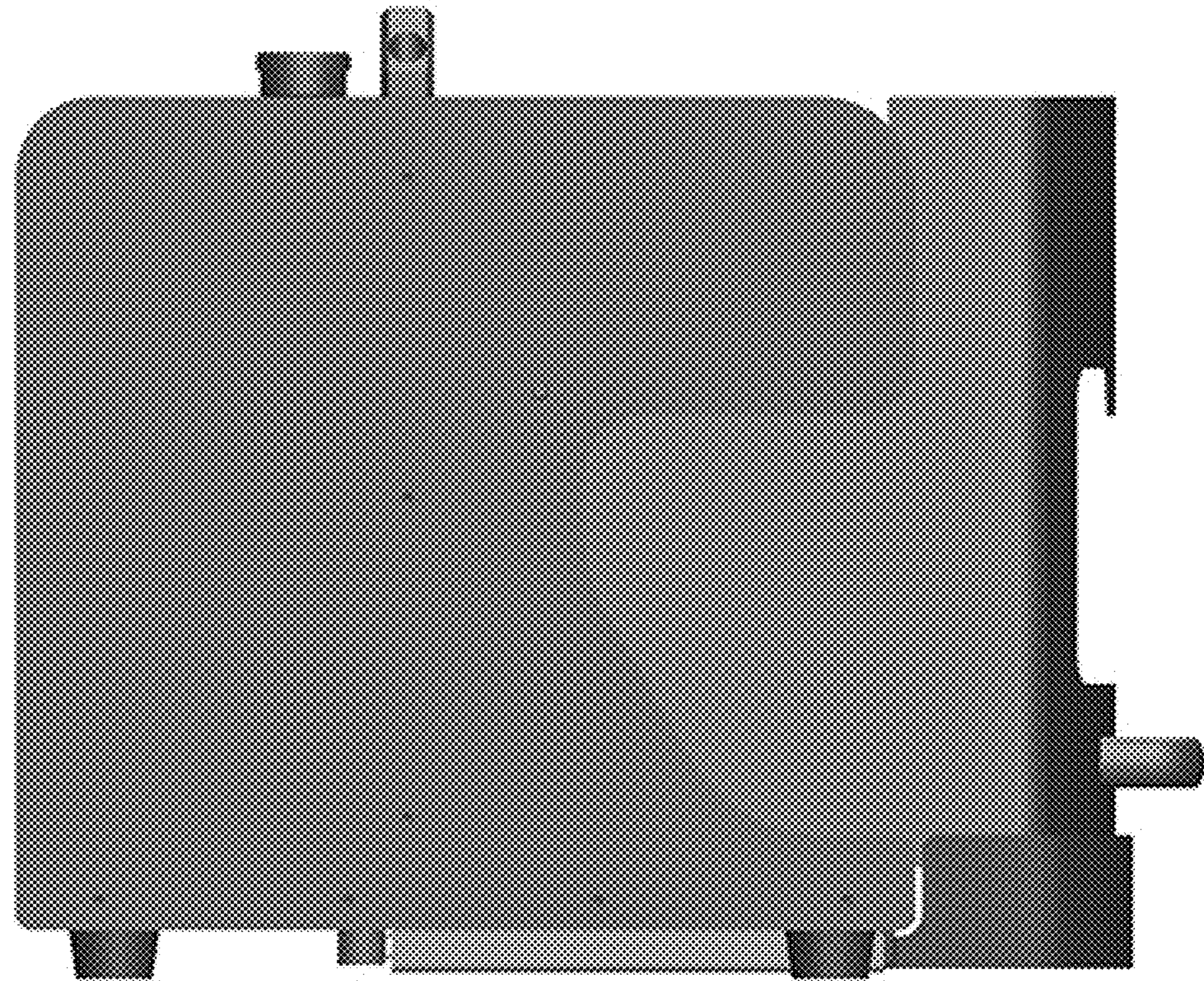
1.9



1.10



1.11



1.12

