



US00D952009S

(12) **United States Design Patent** (10) **Patent No.:** **US D952,009 S**
Ai (45) **Date of Patent:** **** May 17, 2022**

(54) **HEAT PRESS**
(71) Applicant: **HUNAN SIJIU TECHNOLOGY CO., LTD.**, Hunan (CN)
(72) Inventor: **Min Ai**, Hunan (CN)
(73) Assignee: **HUNAN SIJIU TECHNOLOGY CO., LTD.**, Hunan (CN)
(**) Term: **15 Years**
(21) Appl. No.: **29/797,383**
(22) Filed: **Jun. 30, 2021**
(51) **LOC (13) Cl.** **15-09**
(52) **U.S. Cl.**
USPC **D15/122; D32/70**
(58) **Field of Classification Search**
USPC D15/122, 123, 145, 146; D32/70
CPC B30B 1/04; B30B 15/04; B30B 15/18;
B30B 15/048; B30B 15/064; B30B 15/287; B30B 15/0094; B32B 37/06;
B32B 37/0053; B32B 2309/02; B41F 16/00; B41F 16/02; B41F 16/026
See application file for complete search history.

8,418,739 B2 * 4/2013 Robinson B30B 15/028
156/359
D845,573 S * 4/2019 Li D32/70
D867,410 S * 11/2019 Du D15/123
D873,313 S * 1/2020 Galkin D15/123
D875,148 S * 2/2020 Galkin D15/122
D875,149 S * 2/2020 Galkin D15/122
D893,563 S 8/2020 Crisp et al.
D893,566 S 8/2020 Chen
2003/0074948 A1 * 4/2003 Kanamaru B30B 15/048
72/455
2016/0250816 A1 * 9/2016 Robinson B44C 1/1712
100/35
2017/0314177 A1 * 11/2017 Komiya D06C 15/10

OTHER PUBLICATIONS

Cricut - _EasyPress_2-Heat_Press_Machine_NPL.pdf (Year: 2018).*

* cited by examiner

Primary Examiner — Patricia A Palasik
(74) *Attorney, Agent, or Firm* — ScienBiziP, P.C.

(57) **CLAIM**

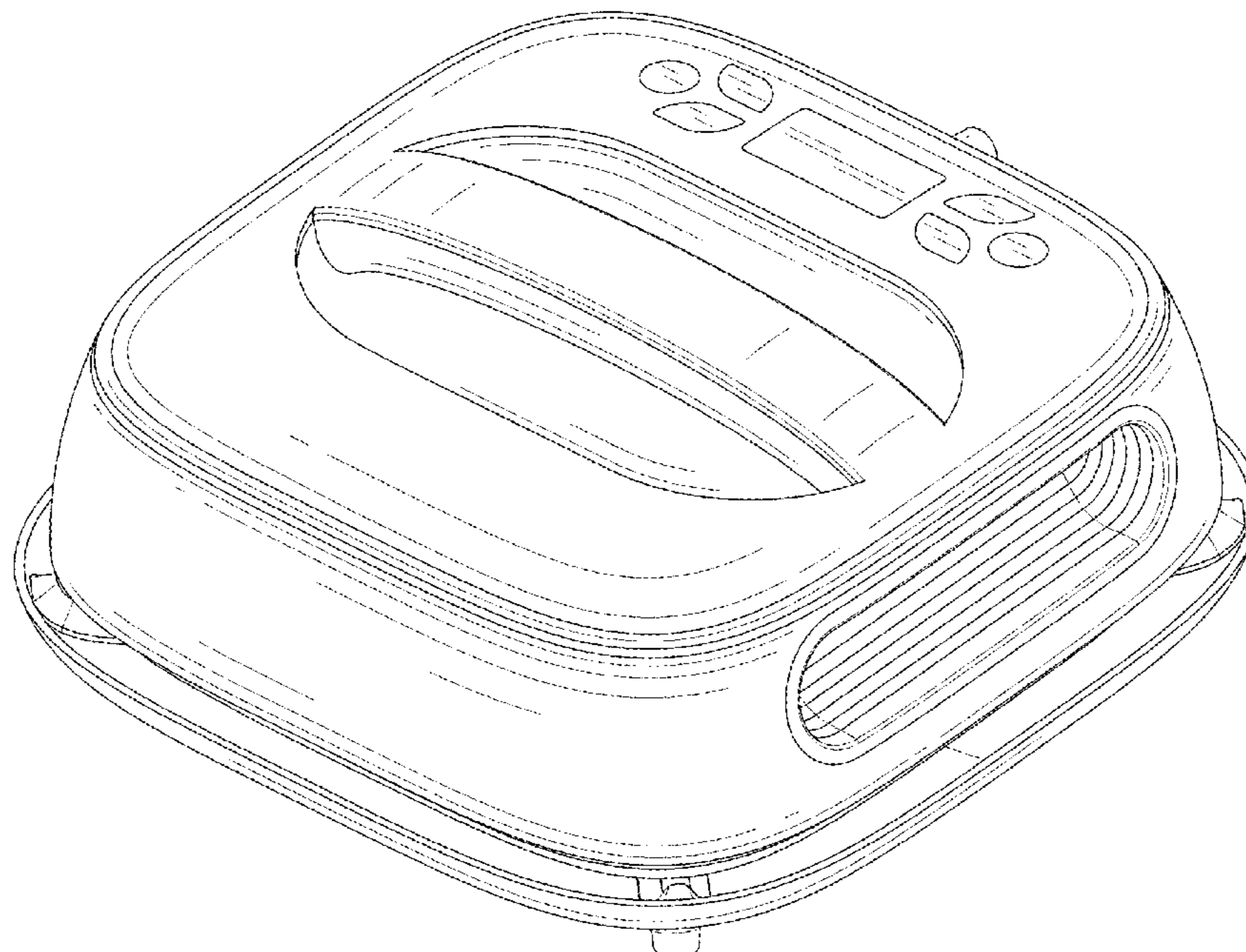
The ornamental design for a heat press, as shown and described.

DESCRIPTION

FIG. 1 is a front, right, and top perspective view of a heat press, showing my design.
FIG. 2 is a rear, left, and bottom perspective view thereof.
FIG. 3 is a front elevation view thereof.
FIG. 4 is a rear elevation view thereof.
FIG. 5 is a left side elevation view thereof.
FIG. 6 is a right side elevation view thereof.
FIG. 7 is a top plan view thereof; and,
FIG. 8 is a bottom plan view thereof.

1 Claim, 8 Drawing Sheets

(56) **References Cited**
U.S. PATENT DOCUMENTS
1,466,714 A * 9/1923 Harnden B41F 1/22
101/3.1
D250,340 S * 11/1978 Douglas D18/14
5,147,496 A * 9/1992 Hix B41F 16/02
156/583.8
6,151,814 A * 11/2000 Raio D06F 71/026
38/30
D561,792 S * 2/2008 Johnson D15/146



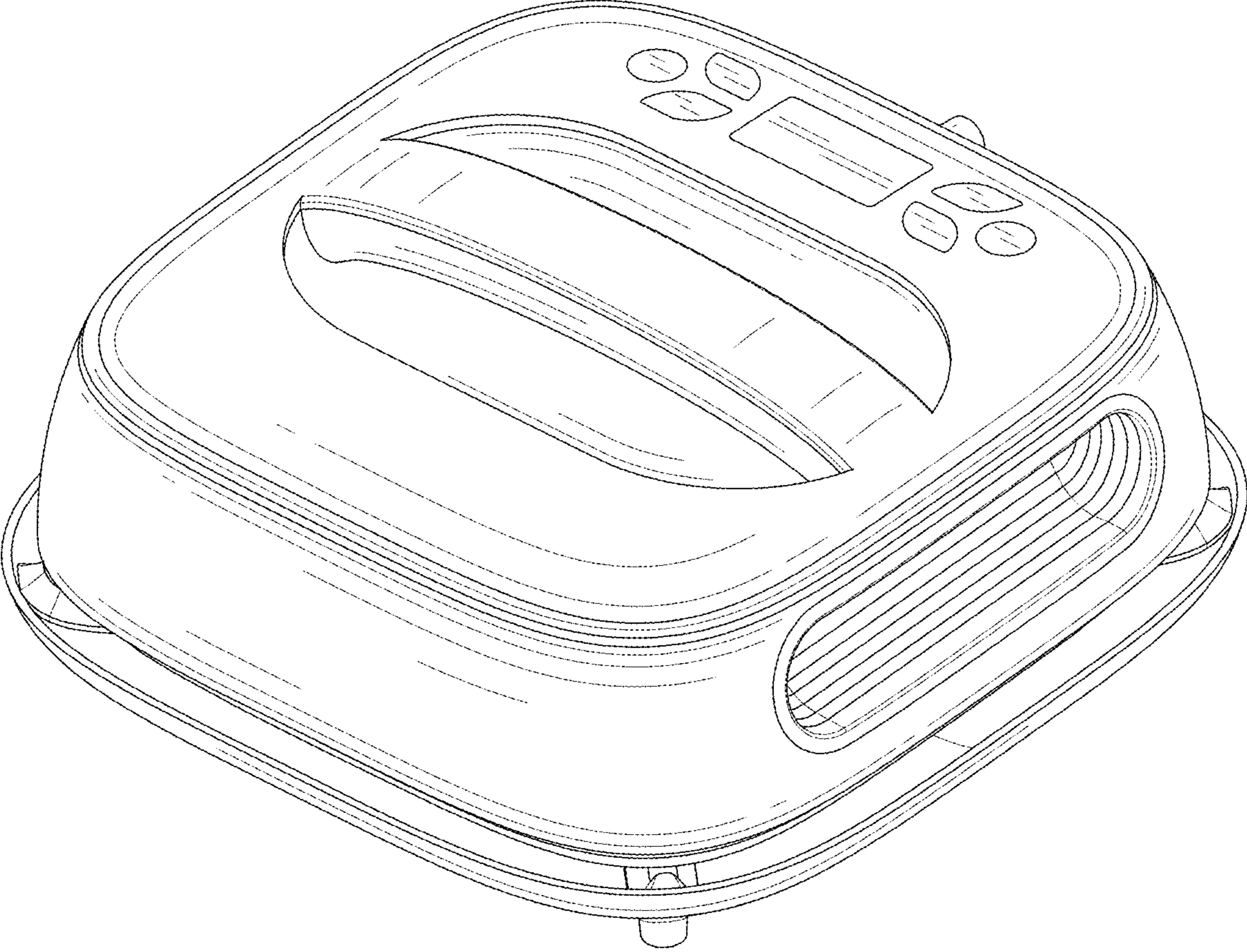


FIG. 1

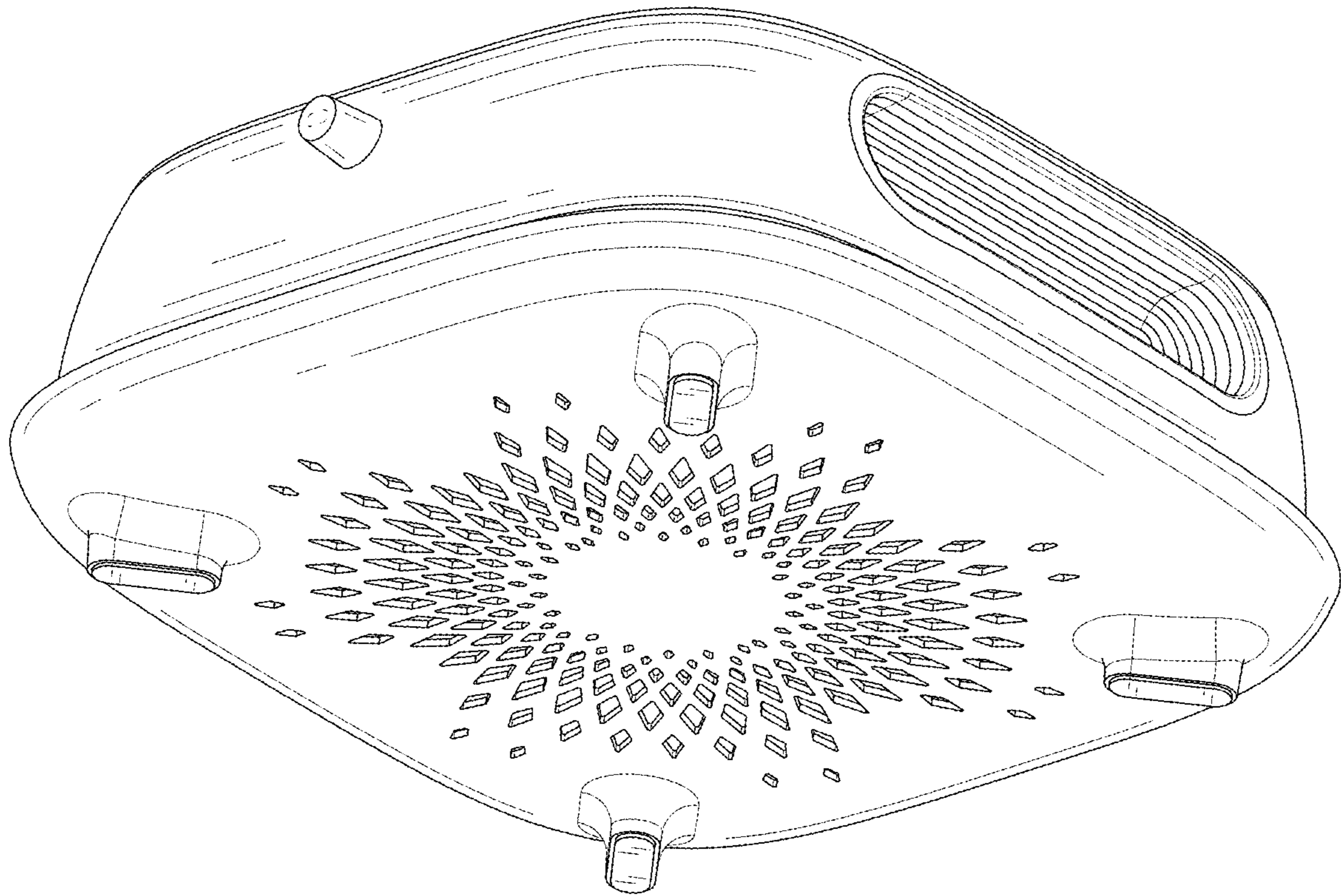


FIG. 2

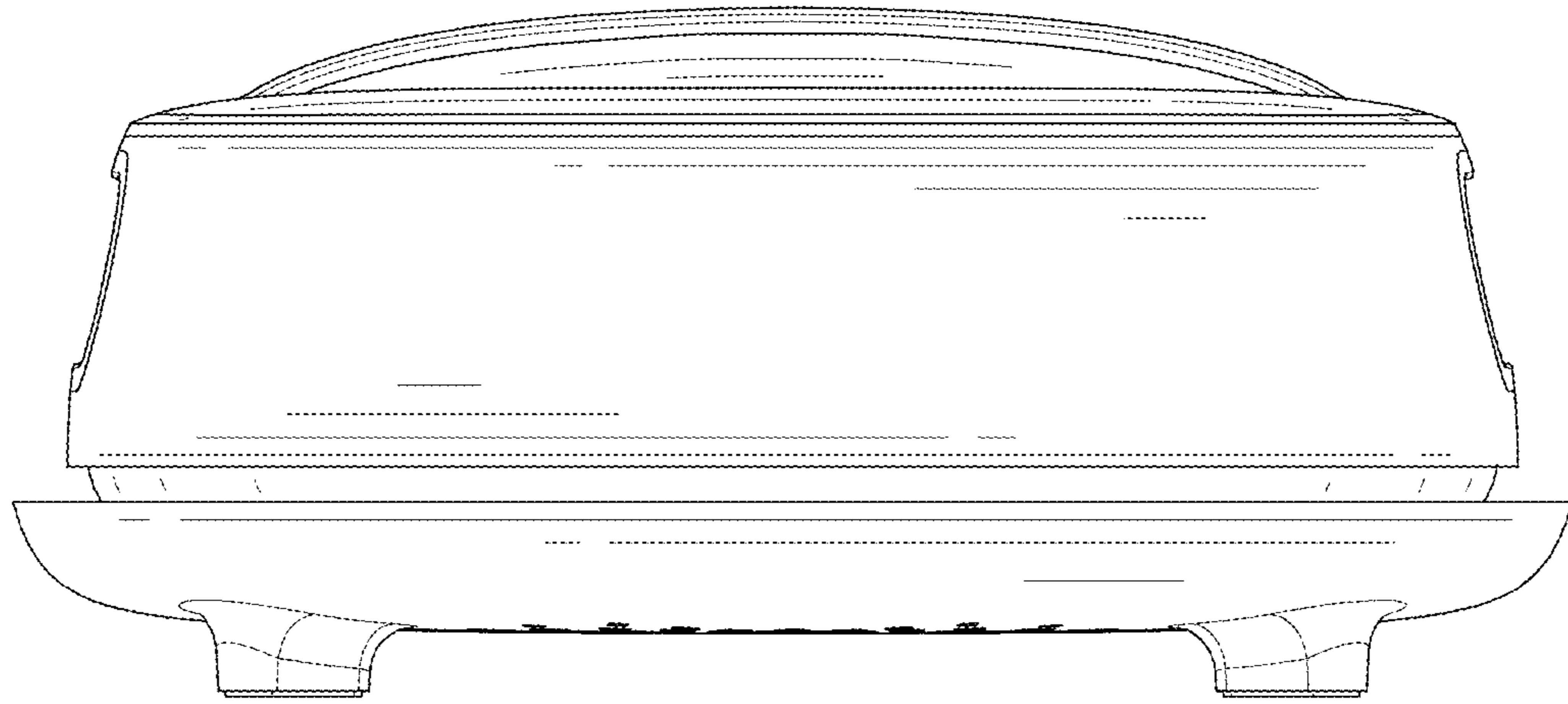


FIG. 3

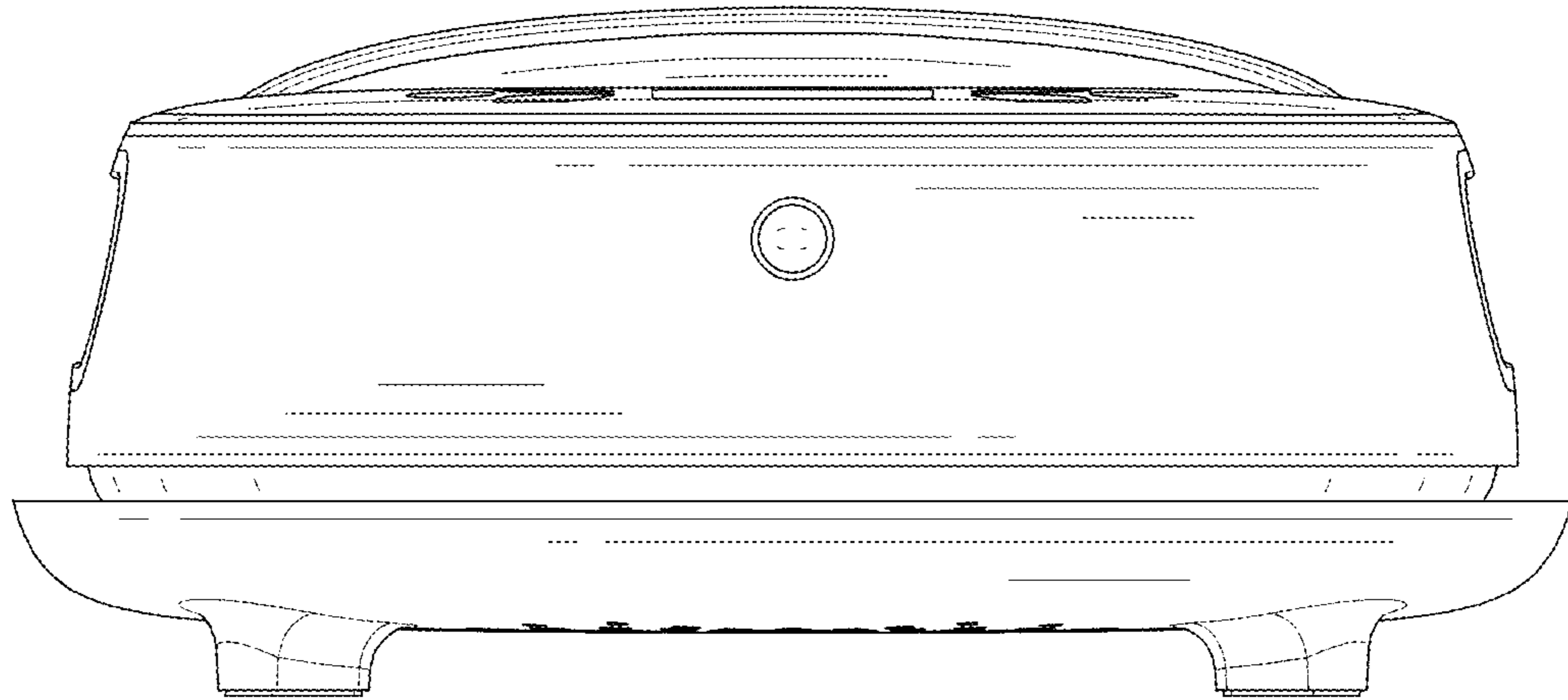


FIG. 4

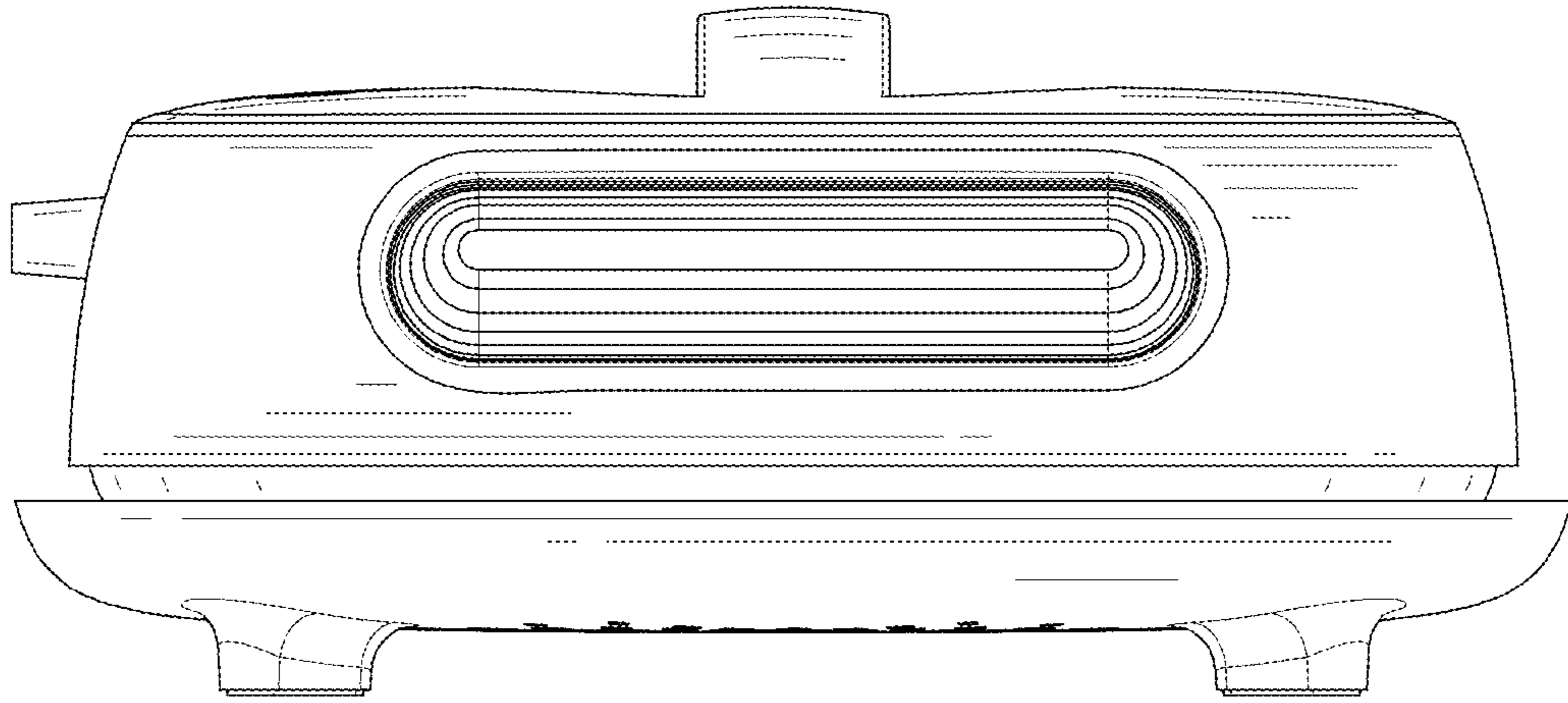


FIG. 5

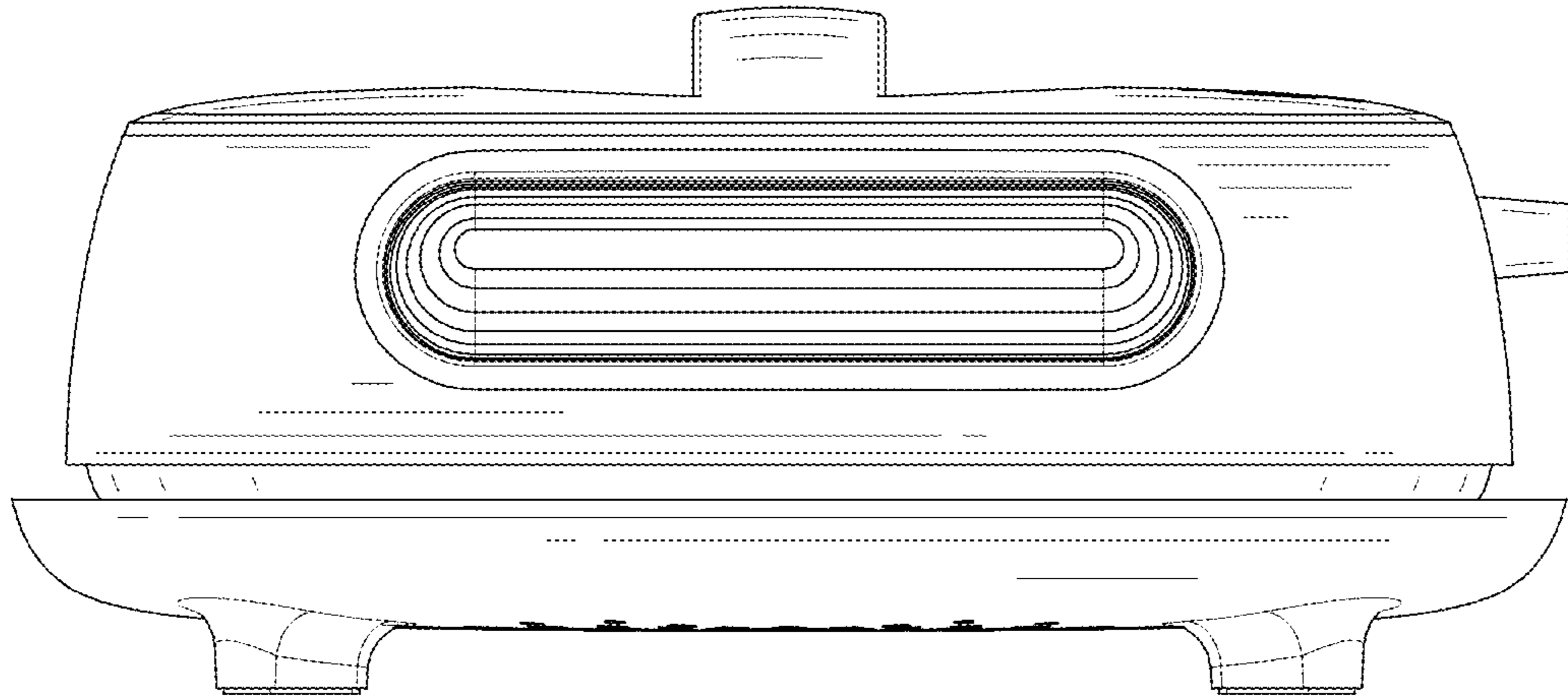


FIG. 6

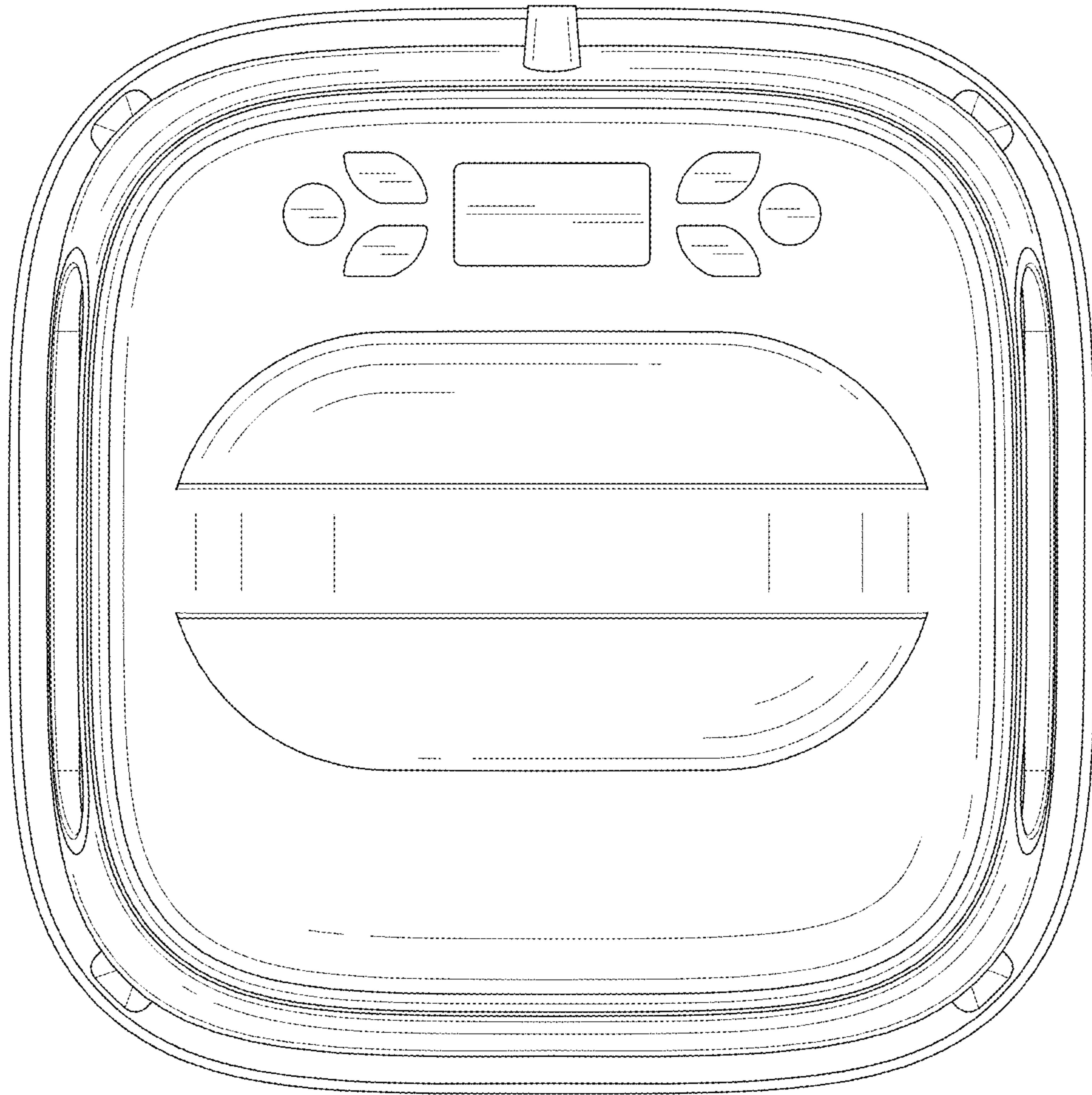


FIG. 7

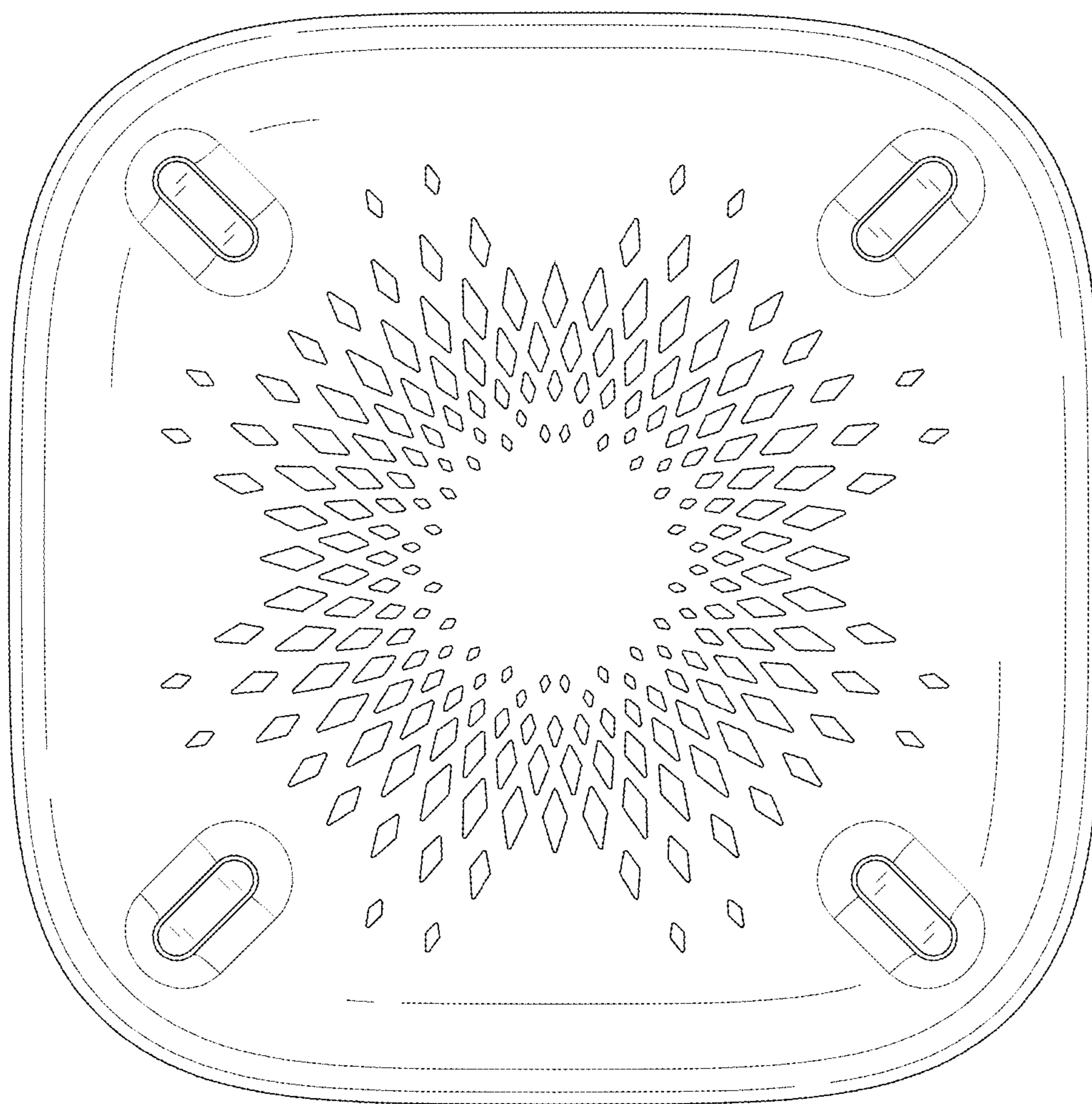


FIG. 8