



US00D952008S

(12) **United States Design Patent**  
**Schmitt et al.**

(10) **Patent No.:** **US D952,008 S**

(45) **Date of Patent:** **\*\* May 17, 2022**

(54) **THREE-DIMENSIONAL PRINTER**

(71) Applicant: **Desktop Metal, Inc.**, Burlington, MA (US)

(72) Inventors: **Peter Schmitt**, Brookline, MA (US); **Justin Cumming**, Topsfield, MA (US); **Alex Fishman**, Boston, MA (US); **Ric Fulop**, Burlington, MA (US); **Rick Chin**, Burlington, MA (US); **Jonah Samuel Myerberg**, Burlington, MA (US); **Yves Behar**, San Francisco, CA (US); **Brandon Heiman**, San Francisco, CA (US)

(73) Assignee: **Desktop Metal, Inc.**, Burlington, MA (US)

(\*\*) Term: **15 Years**

(21) Appl. No.: **29/691,984**

(22) Filed: **May 21, 2019**

**Related U.S. Application Data**

(63) Continuation of application No. 29/601,450, filed on Apr. 21, 2017, now Pat. No. Des. 850,501.

(51) **LOC (13) Cl.** ..... **15-02**

(52) **U.S. Cl.**  
USPC ..... **D15/122**

(58) **Field of Classification Search**  
USPC ..... D15/122, 135, 138, 145, 146; D18/6, 7, D18/14, 19, 50, 54.1, 55  
CPC ..... G06T 11/206; G06T 11/60; G06T 15/00; G06T 2207/30201; G06T 7/0012; G06T 7/11; G06T 11/001; G06T 11/003; G06T 11/40; G06T 13/00; G06T 15/005; G06T 15/02; G06T 15/04; G06T 15/10; G06T 15/20; G06T 15/503; G06T 15/60; G06T 15/80; G06T 19/00; G06T 19/20; G06T 1/20; G06T 2200/24; G06T 2207/10024;

G06T 2207/10068; G06T 2207/10132; G06T 2207/20221; G06T 2207/30028; G06T 2207/30048; G06T 2207/30104; G06T 7/00; G06T 7/149; G06T 7/248; G06T 7/64

See application file for complete search history.

(56) **References Cited**

**U.S. PATENT DOCUMENTS**

D749,153 S *	2/2016	Anantha .....	D15/122
D752,661 S *	3/2016	Anantha .....	D15/122
D757,132 S *	5/2016	Liu .....	D15/122
D760,306 S *	6/2016	Wolf .....	D15/122
D760,825 S *	7/2016	Solorzano .....	D15/122
D776,174 S *	1/2017	Summit .....	D15/122
D776,727 S	1/2017	Wolf	
D783,693 S	4/2017	Reches et al.	
D850,501 S *	6/2019	Schmitt .....	D15/122
D903,730 S *	12/2020	Johnson .....	D15/122

(Continued)

*Primary Examiner* — Khawaja Anwar

(74) *Attorney, Agent, or Firm* — Wolf, Greenfield & Sacks, P.C.

(57) **CLAIM**

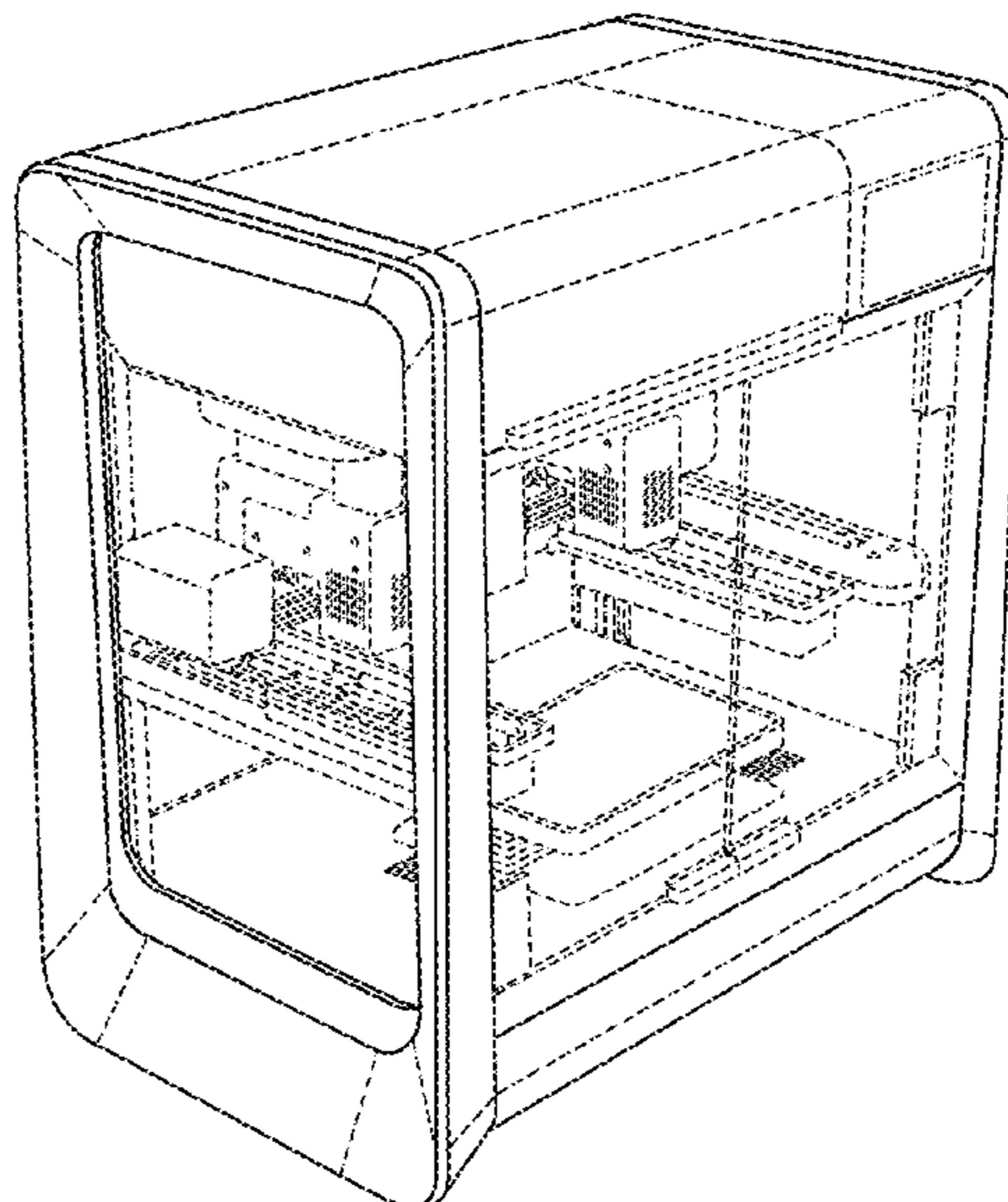
The ornamental design for a three-dimensional printer, as shown and described.

**DESCRIPTION**

FIG. 1 is a front perspective view of the three-dimensional printer showing our new design; FIG. 2 is a top view thereof; FIG. 3 is a rear view thereof; FIG. 4 is a front view thereof; FIG. 5 is a left side view thereof; and, FIG. 6 is a right side view thereof.

The broken lines illustrate unclaimed portions of the three-dimensional printer that form no part of the claimed design.

**1 Claim, 6 Drawing Sheets**



(56)

**References Cited**

U.S. PATENT DOCUMENTS

D907,077 S	*	1/2021	Gjovik .....	D15/122
D922,456 S	*	6/2021	Schmitt .....	D15/122
D924,292 S	*	7/2021	Wei .....	D15/199

\* cited by examiner

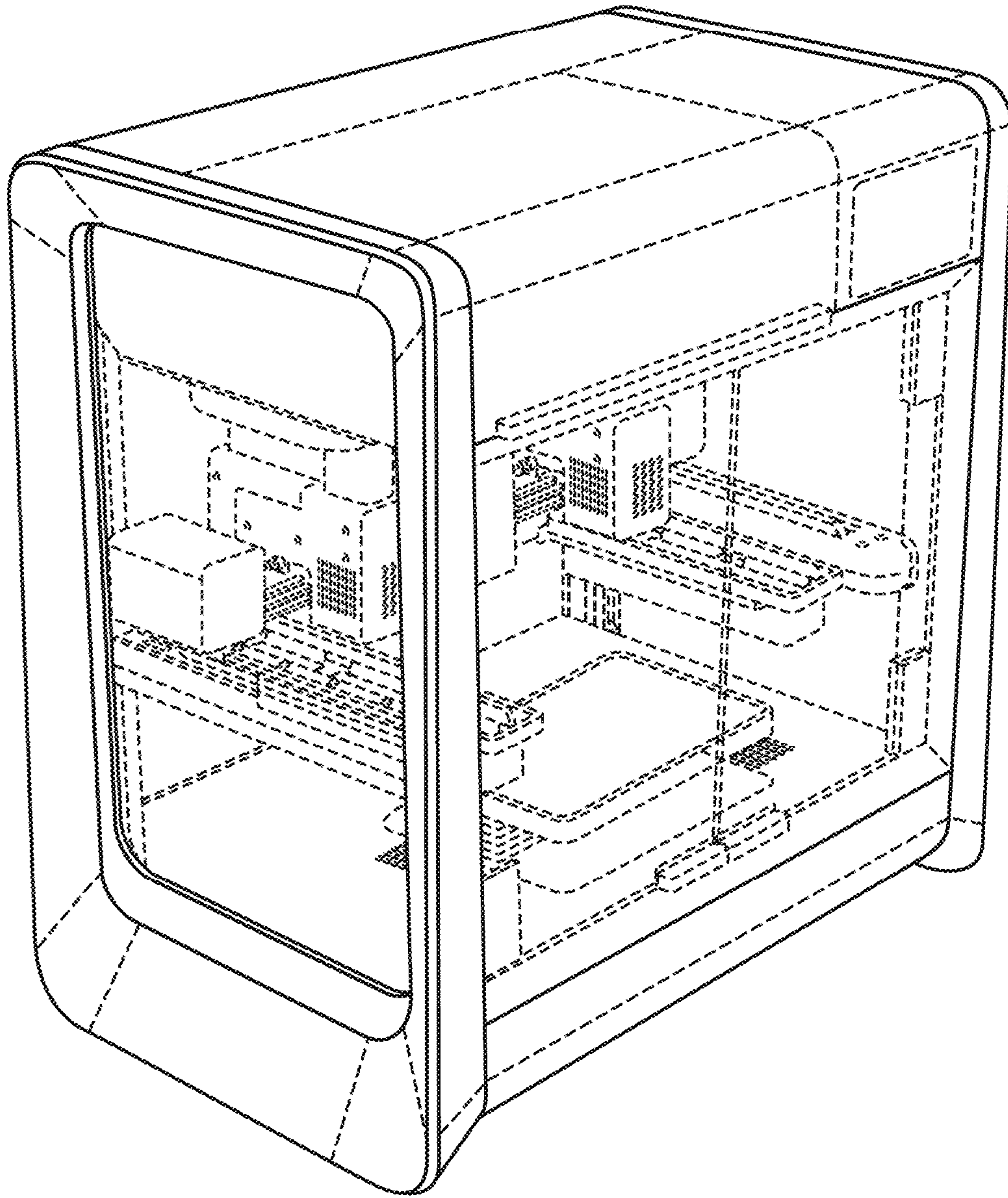


FIG. 1

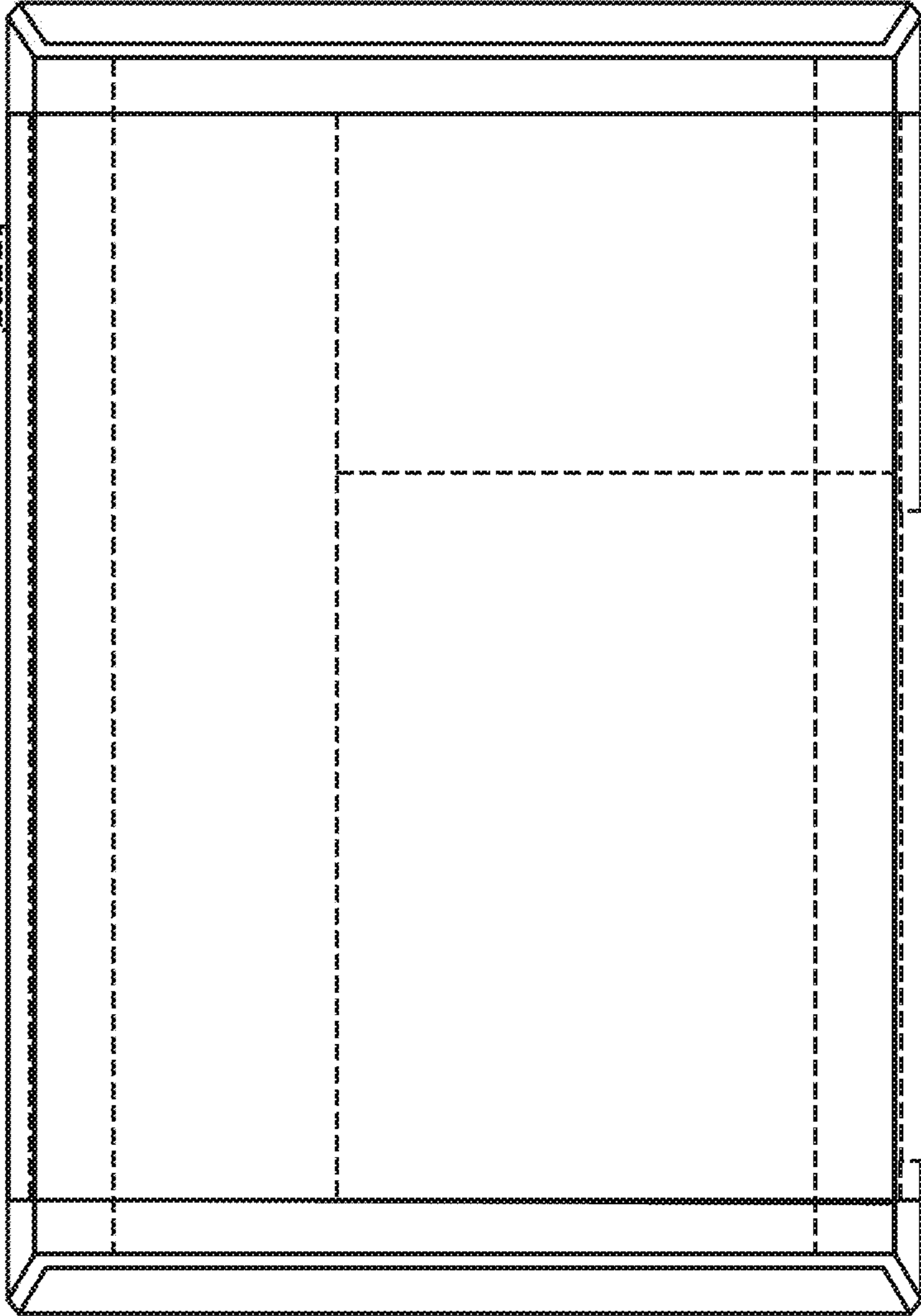


FIG. 2



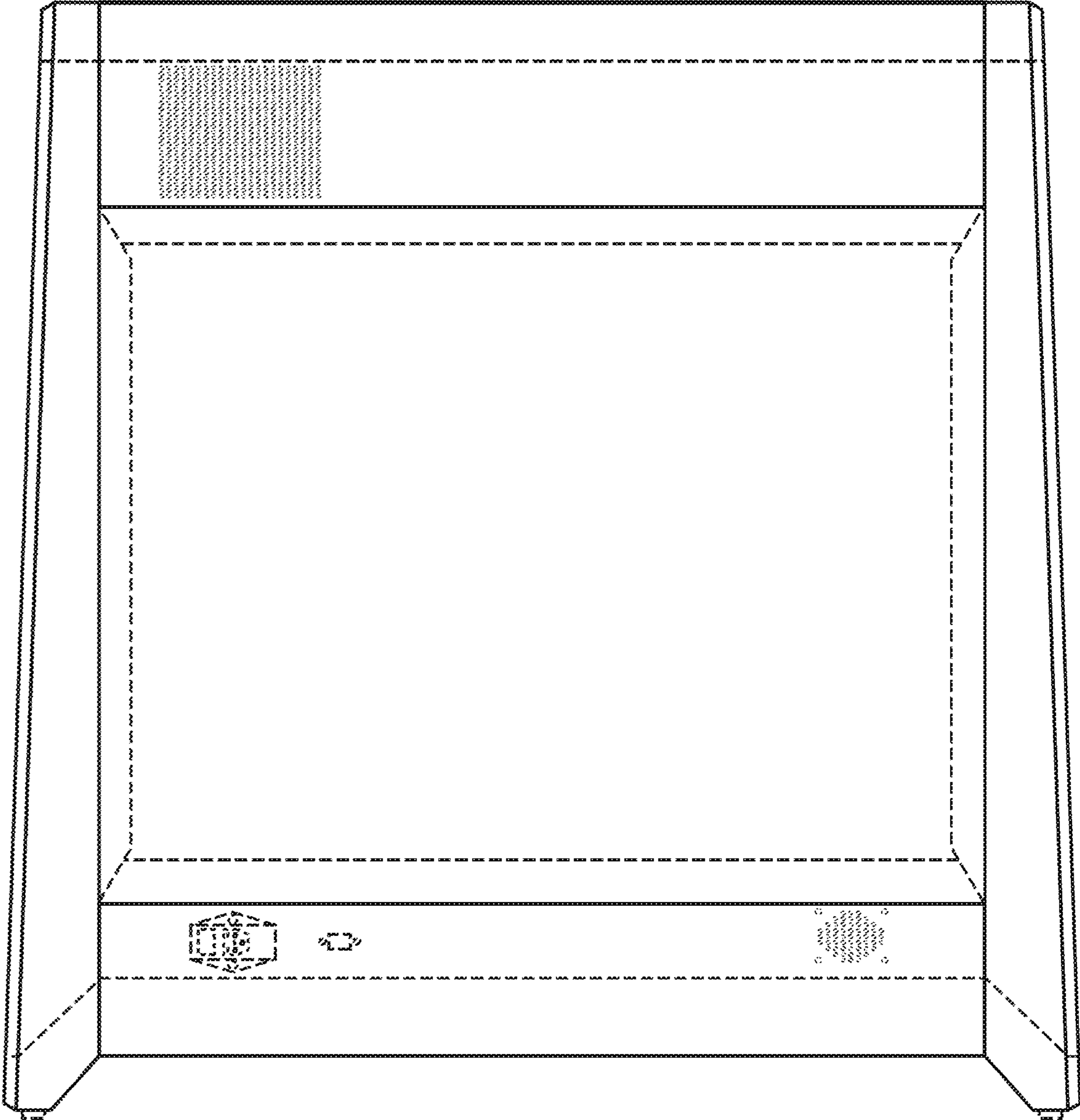


FIG. 3

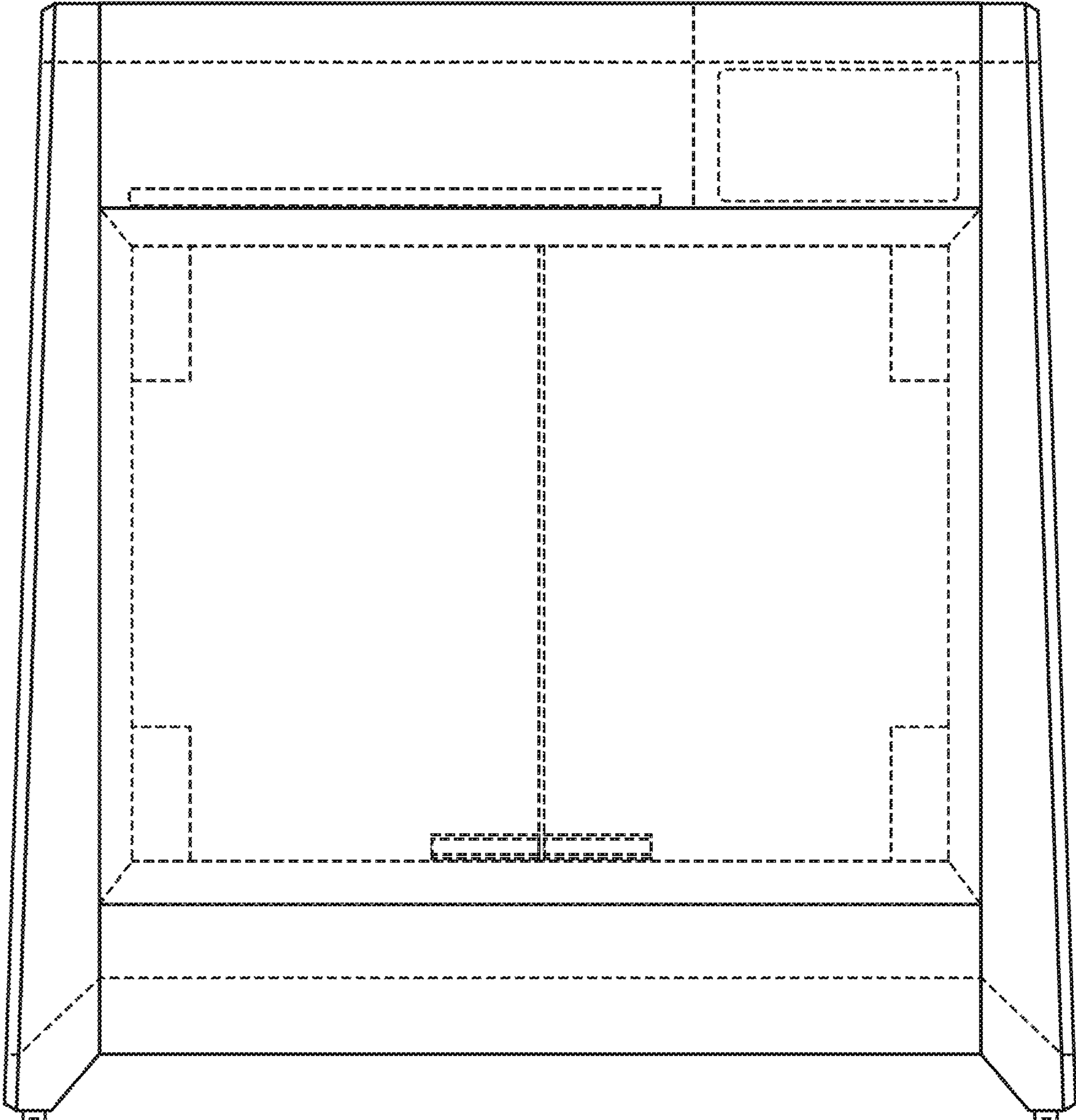


FIG. 4

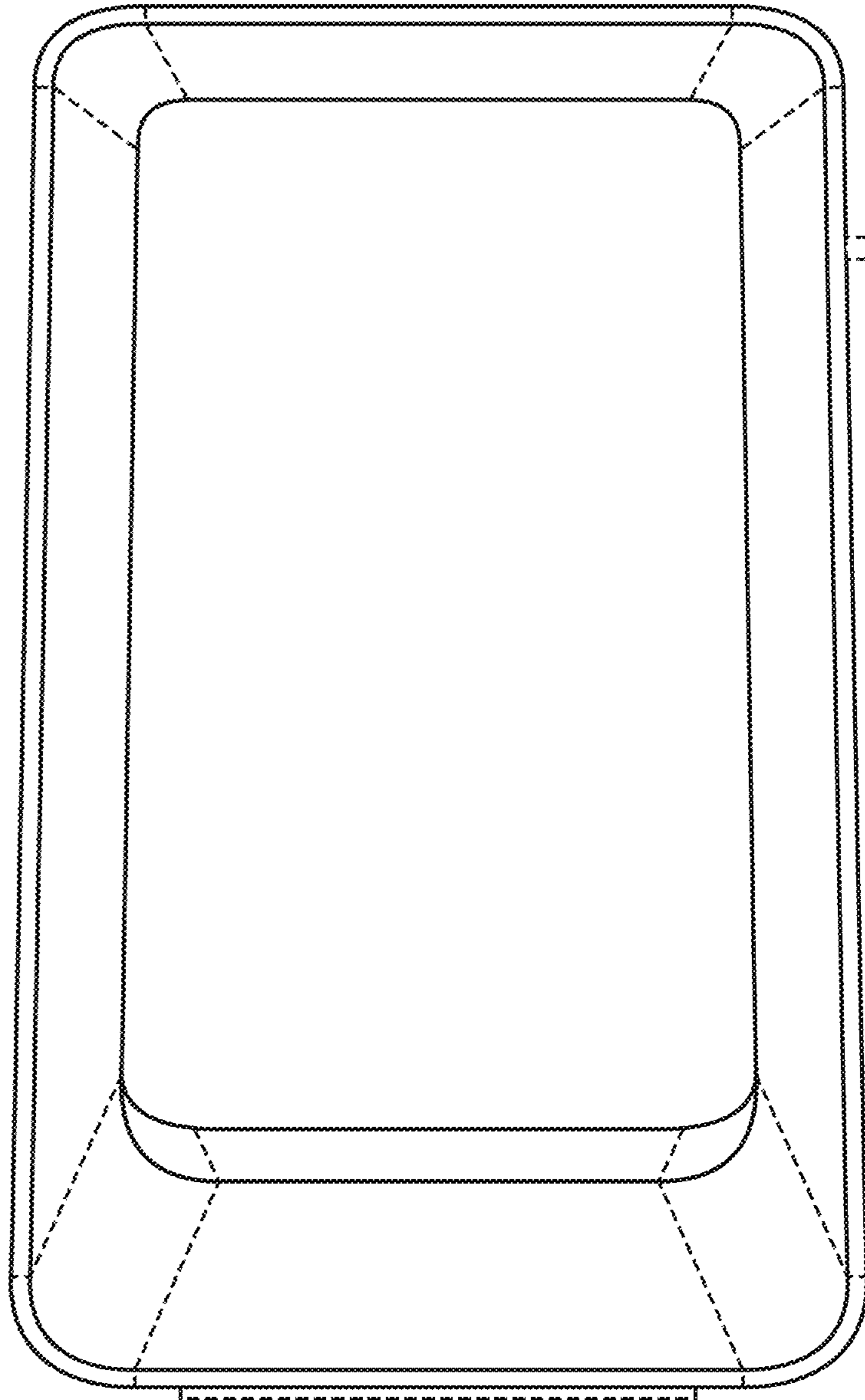


FIG. 5

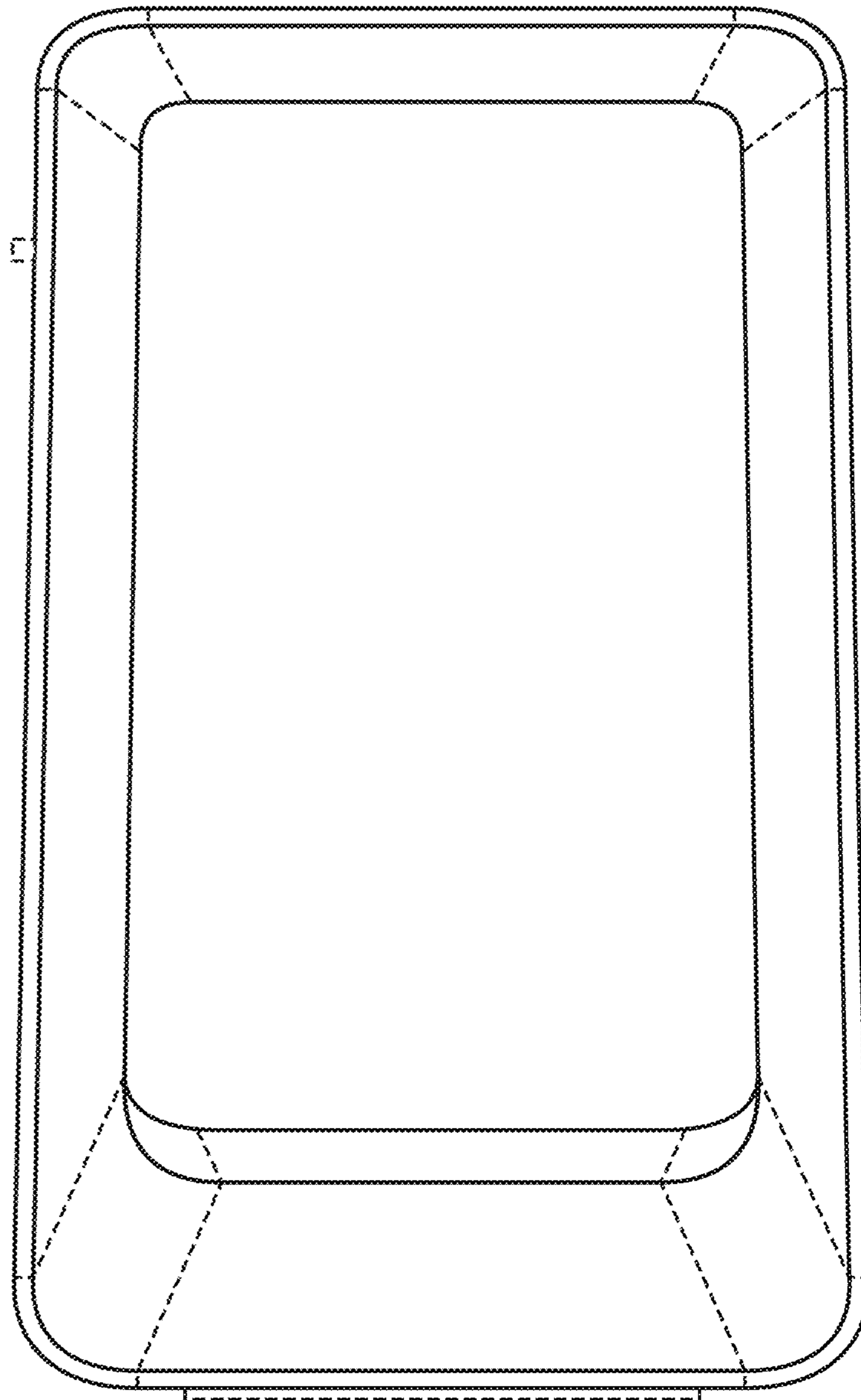


FIG. 6