



US00D952006S

(12) **United States Design Patent**
Li et al.

(10) **Patent No.:** **US D952,006 S**
(45) **Date of Patent:** **** May 17, 2022**

(54) **COSMETIC REFRIGERATOR**

(71) Applicants: **Qi Li**, Zhejiang (CN); **Feng Zhou**, Zhejiang (CN); **Yun Zhang**, Zhejiang (CN)

(72) Inventors: **Qi Li**, Zhejiang (CN); **Feng Zhou**, Zhejiang (CN); **Yun Zhang**, Zhejiang (CN)

(73) Assignees: **Hangzhou PINKTOP Intelligent Technology Co., Ltd**, Zhejiang (CN); **Hangzhou R&D design CO., LTD**, Zhejiang (CN)

(**) Term: **15 Years**

(21) Appl. No.: **29/749,573**

(22) Filed: **Sep. 7, 2020**

(51) **LOC (13) Cl.** **15-07**

(52) **U.S. Cl.**
USPC **D15/81**; D15/88

(58) **Field of Classification Search**
USPC D15/79-91; D3/201, 273, 294; 206/486, 206/427; 190/16, 19, 100, 109, 110
CPC A47F 3/0408; A47F 7/00; A47F 3/0434; A47F 3/0486; A47F 3/001; A47F 3/0478; A47F 3/10; A47B 67/005; A47G 1/0622; A47G 206/427; A47G 206/486; A47G 190/16; A47G 190/19; A47G 190/10; A47G 190/109; A47G 190/11; F25D 17/065; F25D 2317/061; F25D 2323/023; F25D 23/028; F25D 23/126; F25D 11/02; F25D 2201/126; F25D 2201/1262; F25D 2201/14;

(Continued)

(56) **References Cited**

U.S. PATENT DOCUMENTS

D156,483 S * 12/1949 Carrington D15/88
5,524,440 A * 6/1996 Nishioka A45C 15/00
62/3.6

(Continued)

FOREIGN PATENT DOCUMENTS

CN 306532574 * 5/2021
GB 6108792 * 12/2020

(Continued)

OTHER PUBLICATIONS

FaceTory Strawberry Skincare Fridge [Online] URL: <https://www.amazon.com/FaceTory-Strawberry-Skincare-FridgeTemperature/dp/B08N5LB5FP> (full link in attached NPL; site visited Aug. 6, 2021) (Year: 2020).*

(Continued)

Primary Examiner — Jae Liang
Assistant Examiner — Tia Ruth-Renee Polidori

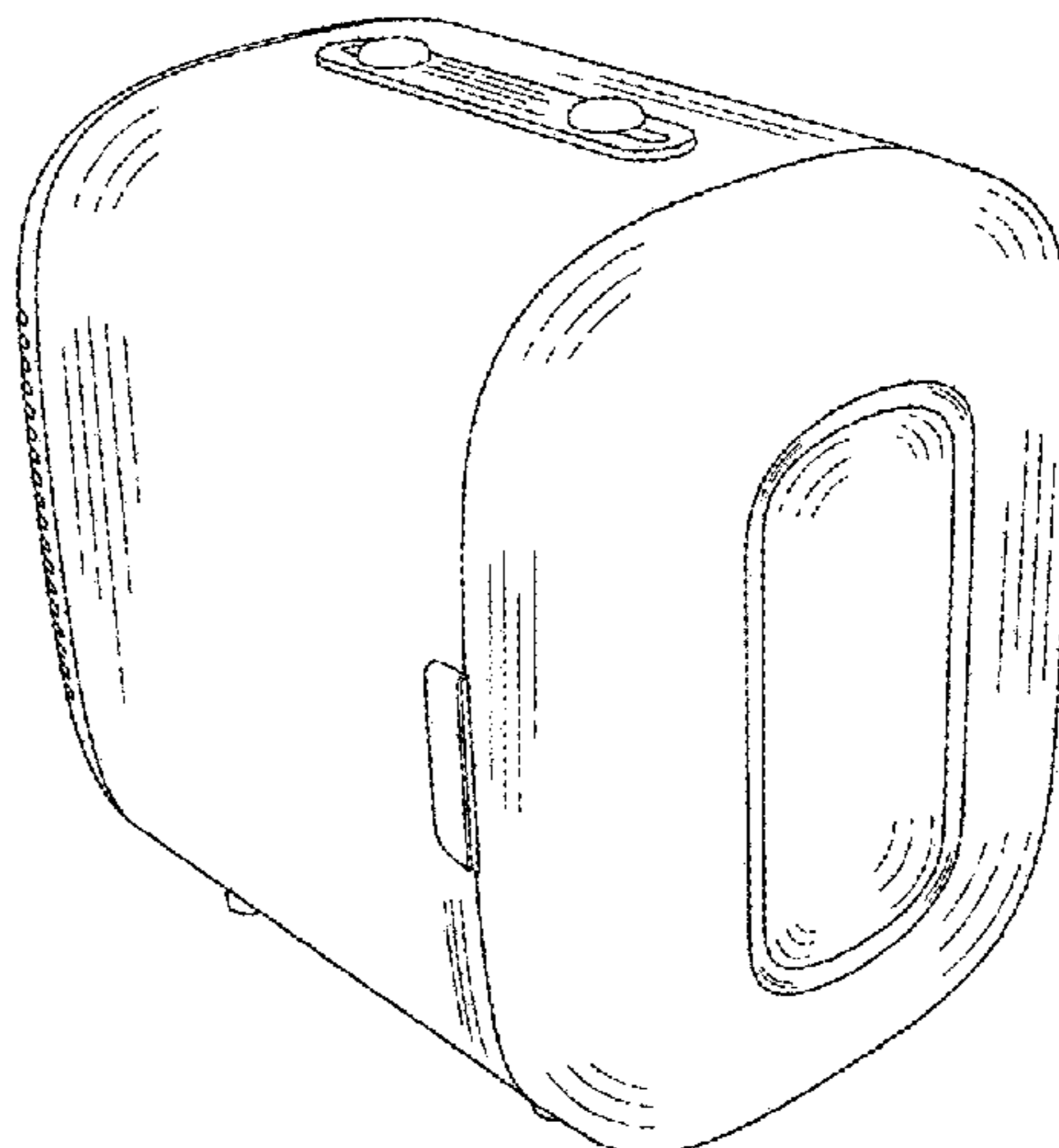
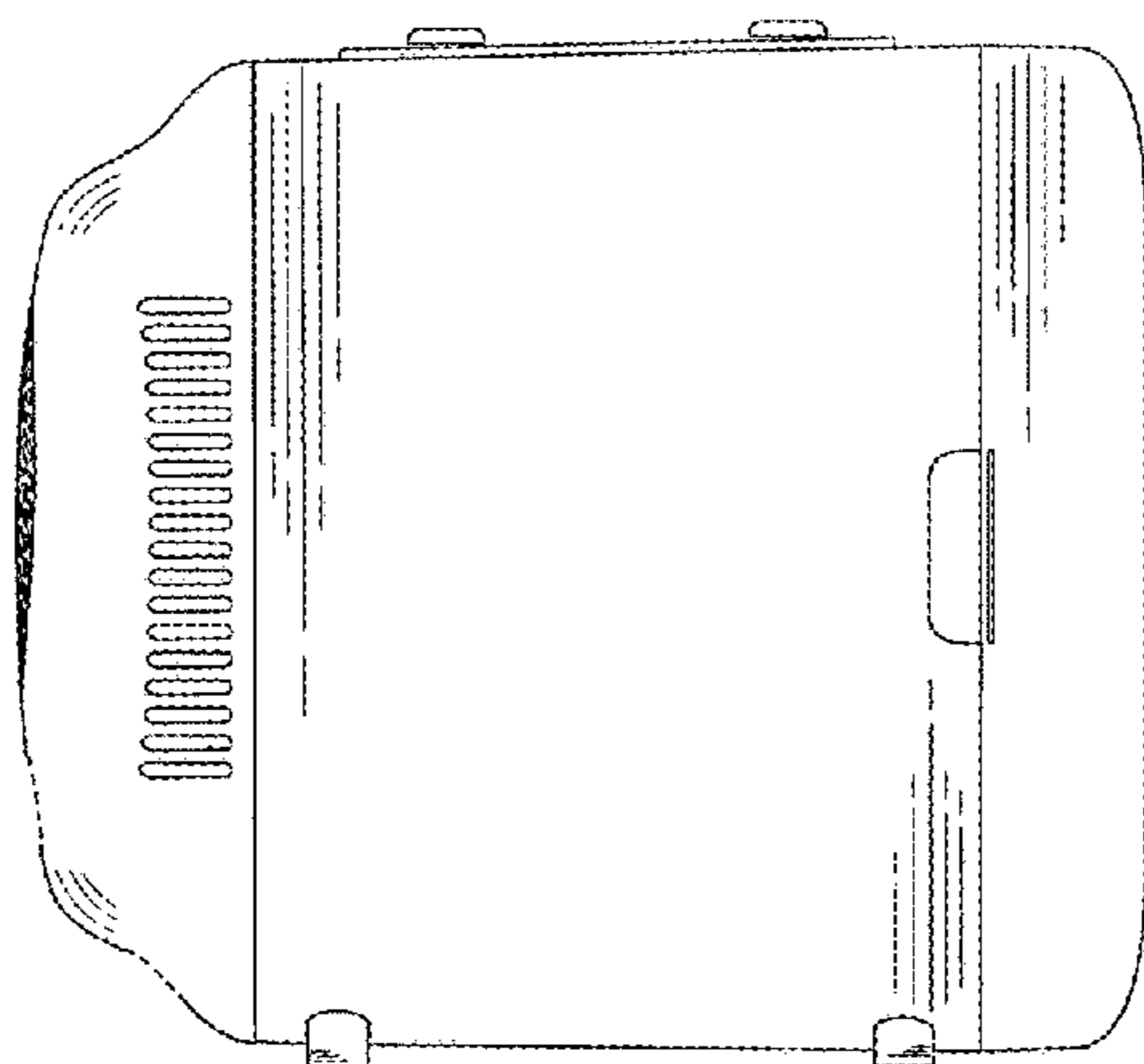
(57) **CLAIM**

The ornamental design for a cosmetic refrigerator, as shown and described.

DESCRIPTION

FIG. 1 is a front elevation view of a cosmetic refrigerator showing our new design;
FIG. 2 is a rear elevation view thereof;
FIG. 3 is a right side elevation view thereof;
FIG. 4 is a left side elevation view thereof;
FIG. 5 is a bottom plan view thereof;
FIG. 6 is a top plan view thereof;
FIG. 7 is a perspective view thereof; and,
FIG. 8 is an enlarged view of the cosmetic refrigerator taken from circle part in FIG. 5.
The broken line indicia related to FIG. 8 define the boundaries of the enlarged portion of the cosmetic refrigerator and form no part of the claimed design. The portions of the cosmetic refrigerator shown in broken lines depict environment and form no part of the claimed design.

1 Claim, 8 Drawing Sheets



(58) **Field of Classification Search**

CPC F25D 2323/021; F25D 23/02; F25D 23/025; F25D 23/04; F25D 23/062; F25D 23/064; F25D 23/065; F25D 23/067; F25D 2400/361; F25D 25/025; F25D 25/04; F25D 29/005; F25D 29/006; F25D 31/005; F25D 3/06

See application file for complete search history.

(56) **References Cited**

U.S. PATENT DOCUMENTS

D502,471	S	*	3/2005	Yuen	D15/81
D509,359	S	*	9/2005	Chang	D3/279
D776,171	S	*	1/2017	Wang	D15/88
D800,799	S	*	10/2017	Feng	D15/81
D807,929	S	*	1/2018	Feng	D15/81
D826,996	S	*	8/2018	Feng	D15/91
D852,853	S	*	7/2019	Kim	D15/81
D877,210	S	*	3/2020	Letcher	D15/80
D880,540	S	*	4/2020	Xie	D15/83
D886,163	S	*	6/2020	Yao	D15/81
D896,856	S	*	9/2020	Zhou	D15/81
D906,422	S	*	12/2020	Huang	D19/85
D916,144	S	*	4/2021	Deng	D15/79
D919,678	S	*	5/2021	Yang	D15/81
D924,946	S	*	7/2021	Xu	D15/81
D937,910	S	*	12/2021	Huang	D15/81
2003/0034025	A1	*	2/2003	Williams	A47J 37/0786 126/41 R
2003/0084670	A1	*	5/2003	Kim	F25D 29/00 62/3.6
2003/0226363	A1	*	12/2003	Lee	F25D 29/008 62/3.6
2005/0132740	A1	*	6/2005	Kwon	F25D 23/04 62/441
2006/0218937	A1	*	10/2006	Park	A61L 2/26 62/3.3
2006/0255164	A1	*	11/2006	Oppermann	F24F 3/14 236/44 C
2013/0181592	A1	*	7/2013	Betesh	F25D 23/028 312/405

FOREIGN PATENT DOCUMENTS

GB	6110709	*	12/2020
JP	D1645369	*	11/2019
JP	D1681311	*	3/2021
JP	D1681312	*	3/2021
KR	301111796.0000	*	6/2021

OTHER PUBLICATIONS

S ONE Beauty Fridge [Online] URL: https://www.amazon.com/BS-ONE/dp/B08SGMK7Q6/ref=sr_1_14?dchild=1&keywords=mini+fridge&qid=1628275481&s=beauty& (site visited: Aug. 6, 2021) (Year: 2021).*

Flawless Beauty Mini Fridge [Online] URL: https://www.amazon.com/Flawless-Portable-Cosmetic-SkincareRefrigerator/dp/B08BPF43BP/ref=sr_1_28?dchild=1&keywords=mini%2Bfridge&qid=1628275481&s=beauty&sr=1-28& (site visited: Aug. 6, 2021) (Year: 2021).*

IKER 12 Liter Mini Fridge [Online] URL: <https://www.amazon.com/IKERSkincare-Cosmetics-Portable-Suitable/dp/B0911RVGL2/> (full link in attached NPL; site visited: Aug. 6, 2021) (Year: 2021).*

Professional Beauty Refrigerator [Online] URL: <https://www.amazon.com/Professional-Refrigerator-Mini-> (site visited: Aug. 6, 2021) (Year: 2021).*

Avery Rose Mini Skin Care Fridge for Makeup and Cosmetic [Online] URL: <https://averyrosebeauty.com/products/beauty-fridge-for-make-up> (site visited: Aug. 6, 2021) (Year: 2021).*

Caynel 12 Liter Meeta Beauty Mini Fridge [Online] URL: <https://www.walmart.com/ip/Caynel-12-Liter-Meeta-Beauty-Mini-Fridge-with-Smart-Breathing-Light-Display/409415330?> (site visited: Aug. 6, 2021) (Year: 2021).*

China 13L Custom Portable Beauty Makeup [Online] URL: <https://www.made-in-china.com/showroom/yinyuan-kevin/product-detailHXNJmDnEqMpV/China-13L-Custom-Portable-Beauty-Makeup-Double-Door-Small-Refrigerator-Mini-Fridge-for-Cosmetic.html> (site visited: Aug. 6, 2021) (Year: 2021).*

Cooluli Beauty 12-liter Skincare Fridge [Online] URL: <https://www.bestbuy.com/site/cooluli-beauty-12-liter-skincare-fridge-pearl-white/6457432.p?skuld=6457432>(site visited: Aug. 6, 2021) (Year: 2021).*

QUBI Mini Fridge [Online] URL: <https://bahrain.whizzcart.com/product/10560654/qubi-mini-fridge-professional-skincare-fridge-mini-cosmetics-makeup-fridge-compact-fridge-5-liter-cream-white-5l/>(site visited: Aug. 6, 2021) (Year: 2021).*

Teami Blends—Teami Luxe Skincare Fridge [Online] URL: <https://www.teamiblends.com/products/luxe-skincare-fridge?nbt=nb%3Aadwords%3Ag%3A13162700075%25> (site visited: Aug. 6, 2021) (Year: 2021).*

Mini Skin Care Fridge [Online] URL: <https://www.amazon.com/Fridge-Cosmetic-Portable-Compact-Bedroom/product-reviews/B088LZMSX1/> (site visited: Aug. 6, 2021) (Year: 2020).*

New Product Skin Care Beauty [Online] URL: <https://www.made-in-china.com/showroom/yinyuan-kevin/product-detailpKvxdHwYnorR/China-2020-New-Product-Skin-Care-Beauty-Mini-Cosmetic-Fridge-Refrigerator.html> (site visited: Aug. 6, 2021) (Year: 2020).*

* cited by examiner

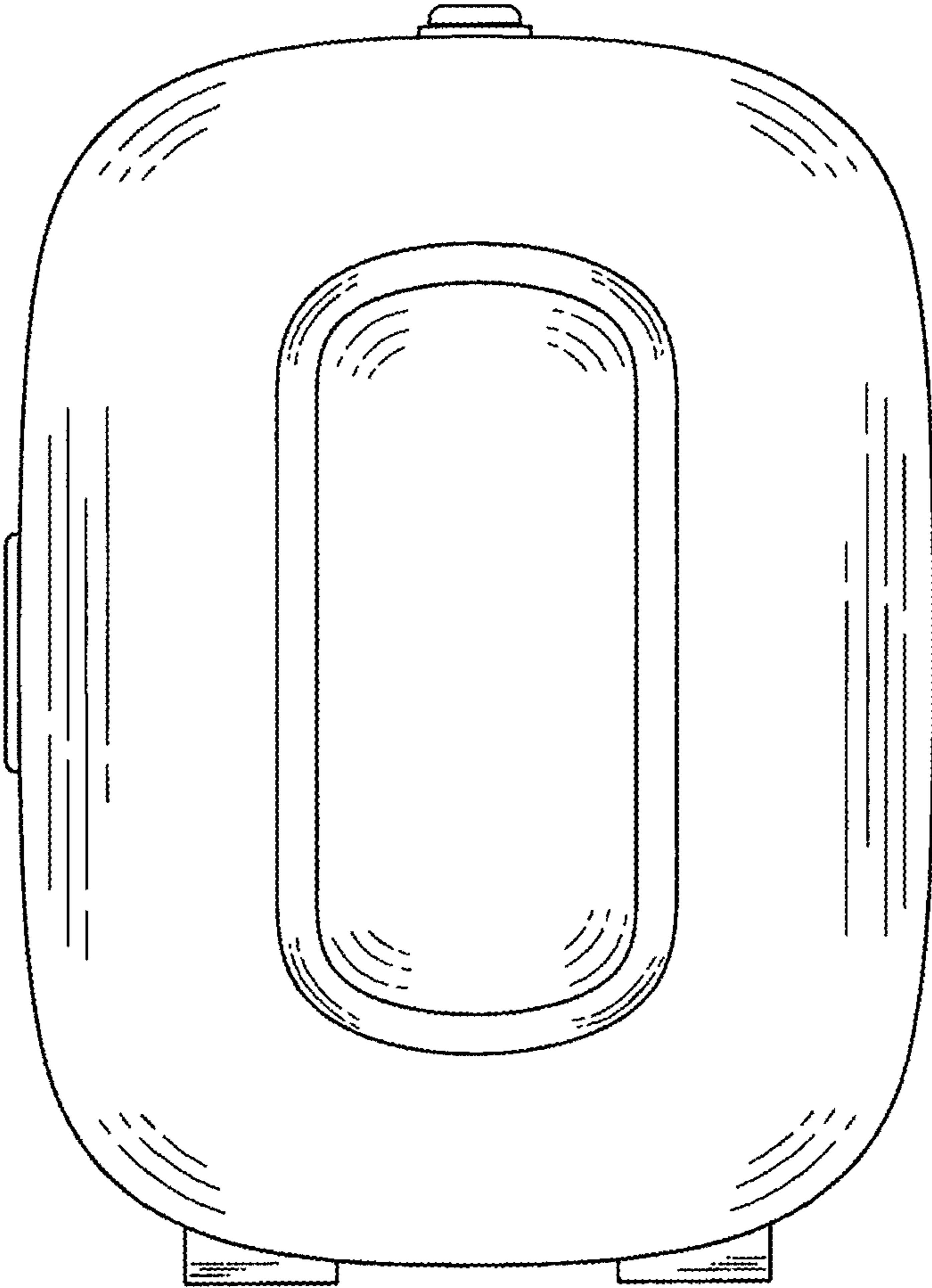


FIG. 1

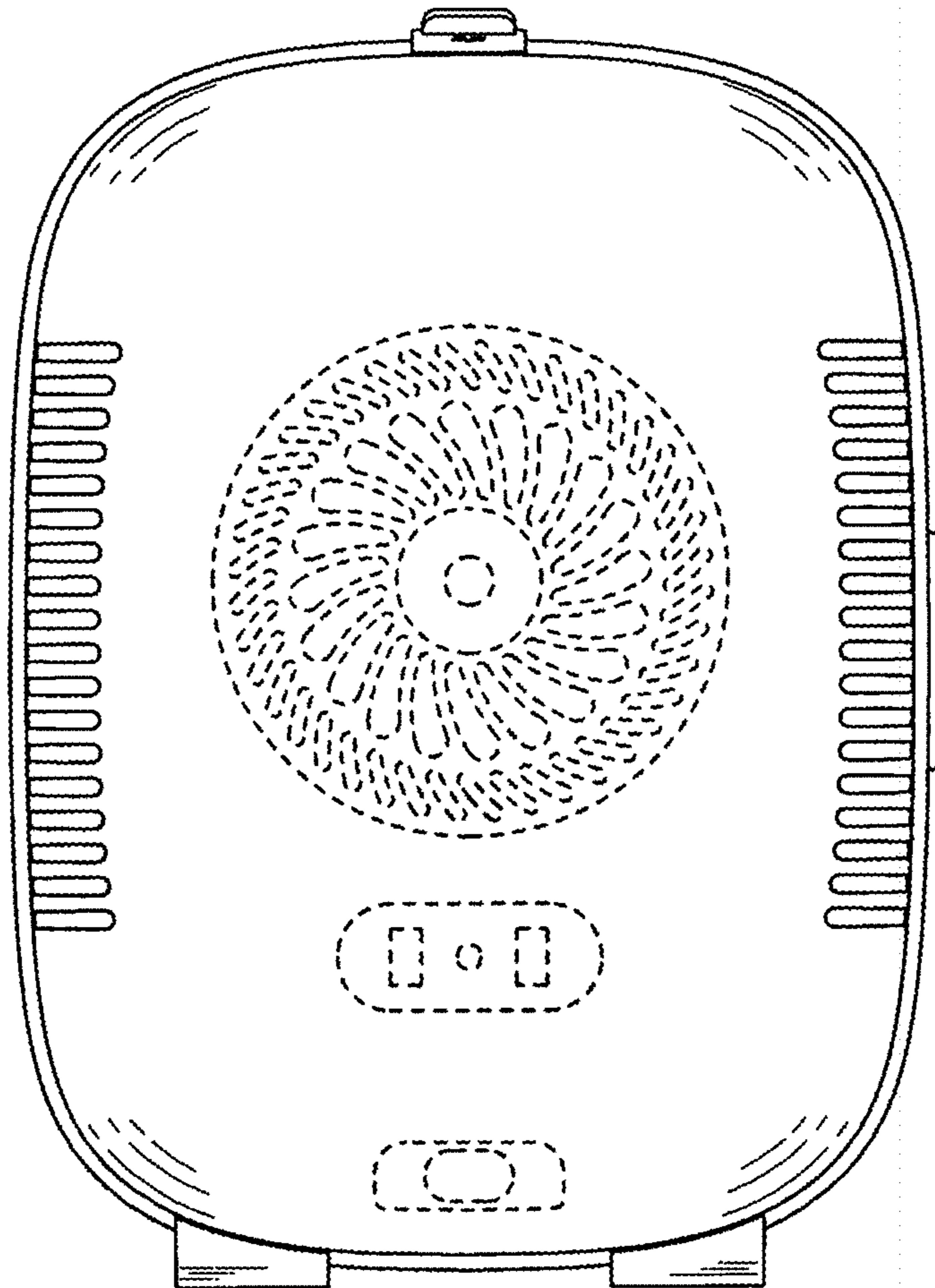


FIG. 2

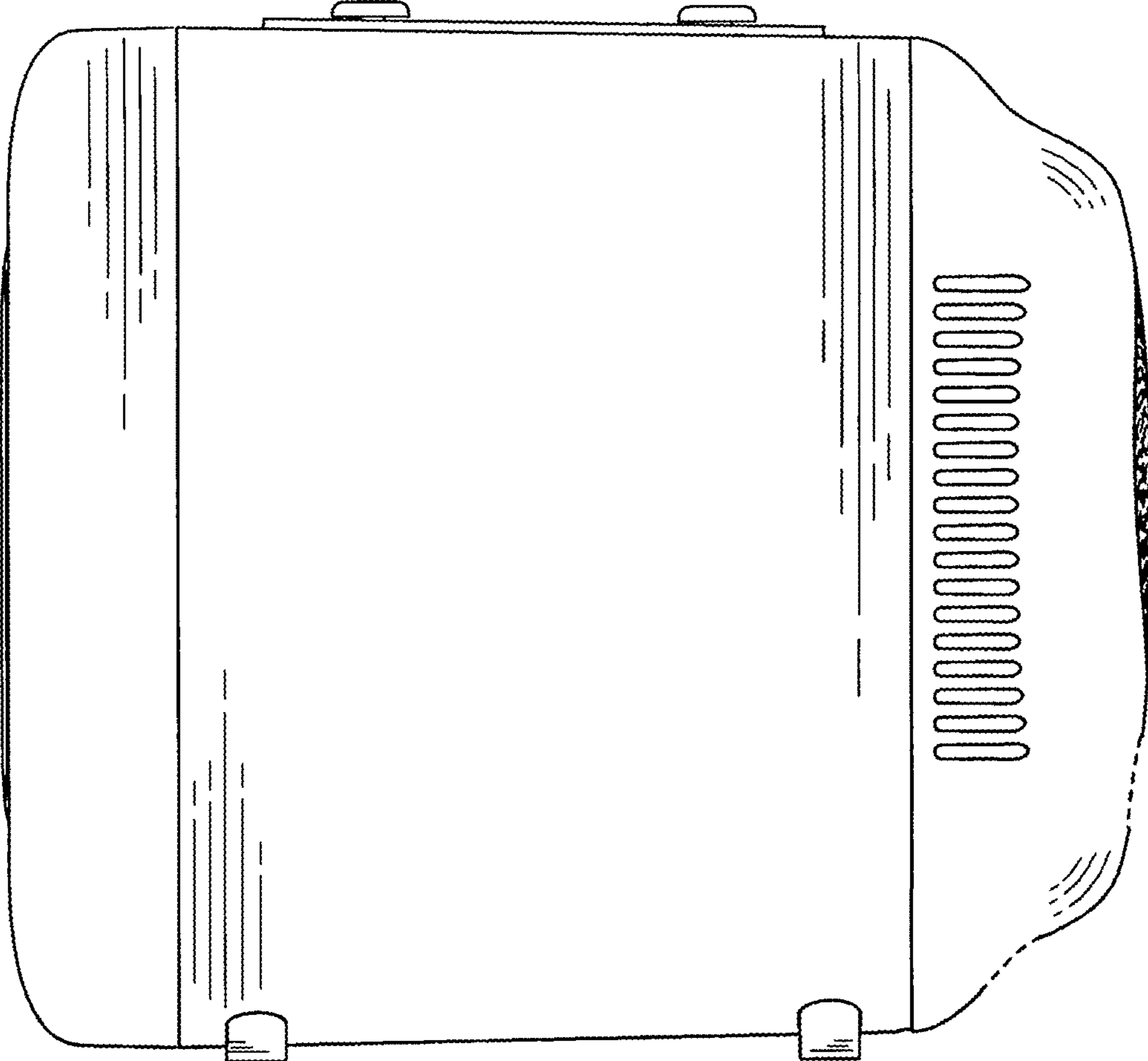


FIG. 3

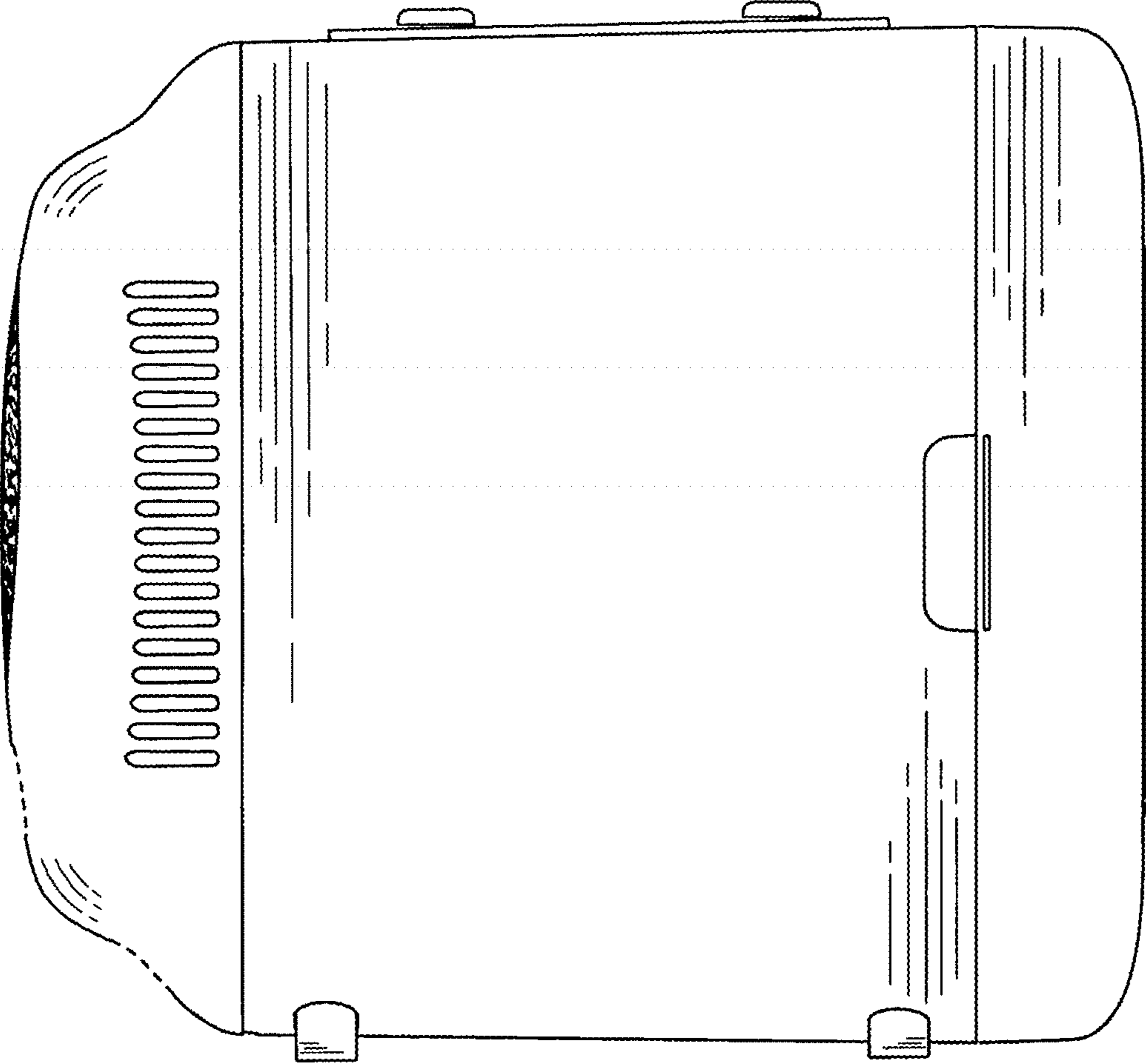


FIG. 4

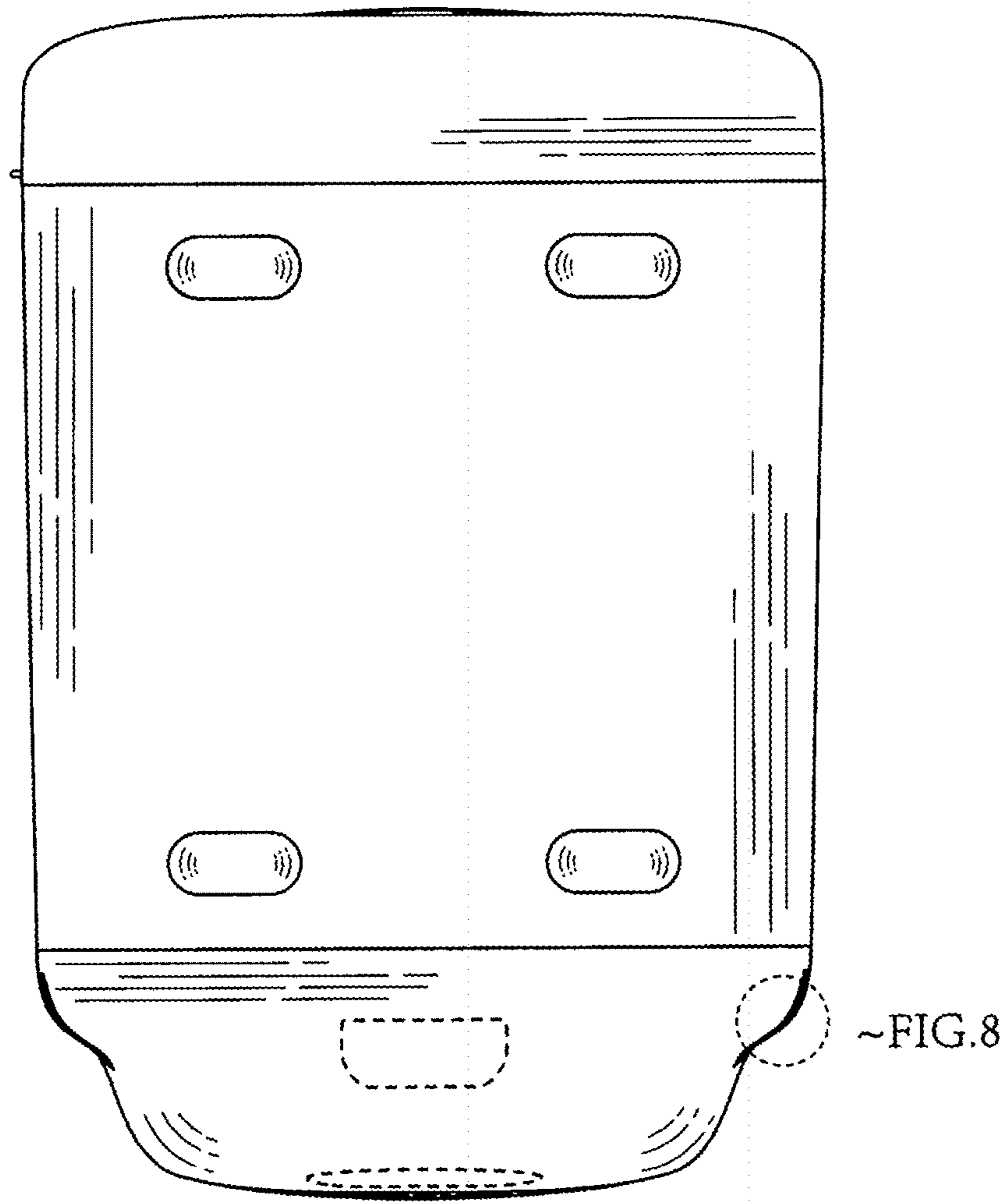


FIG. 5

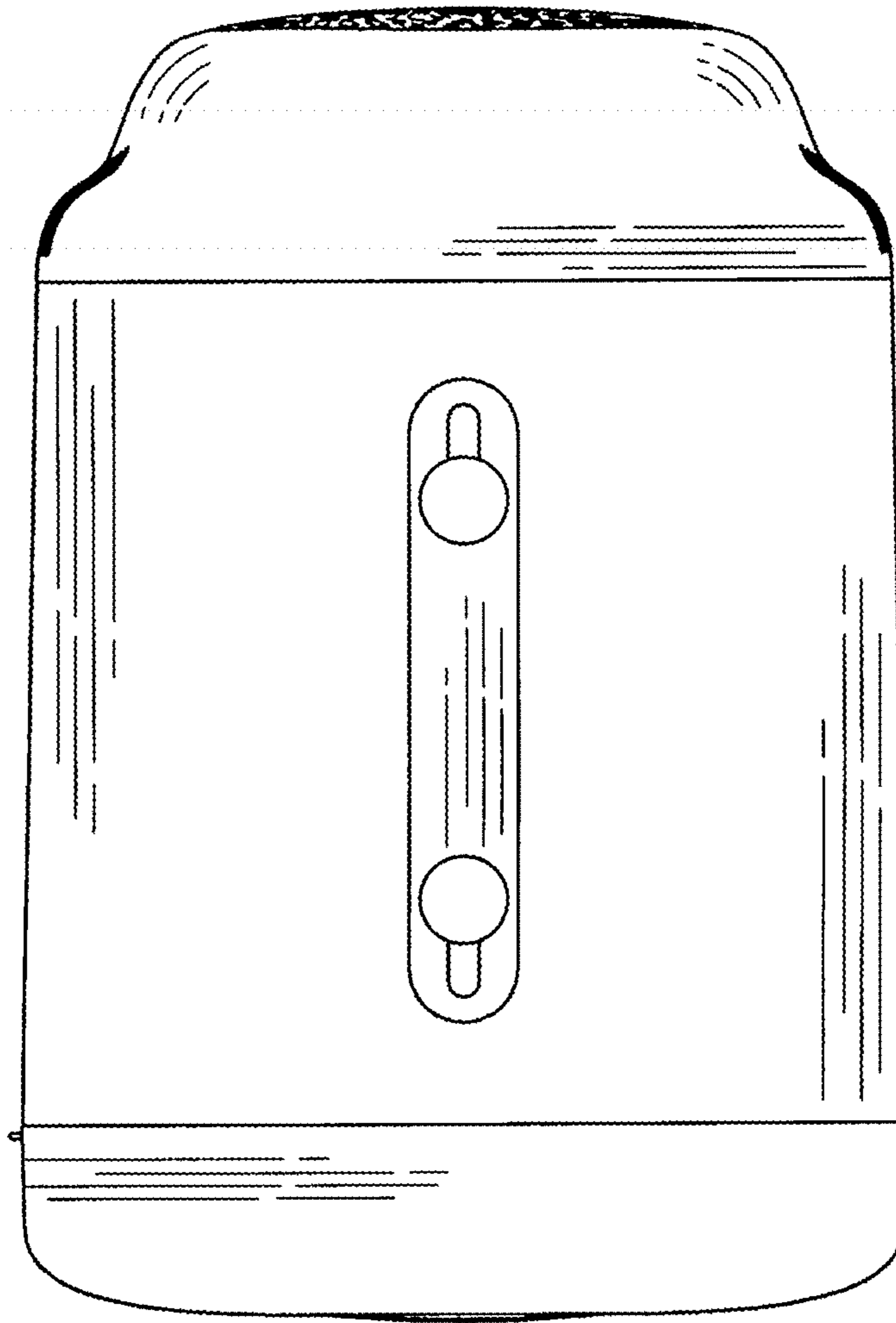


FIG. 6

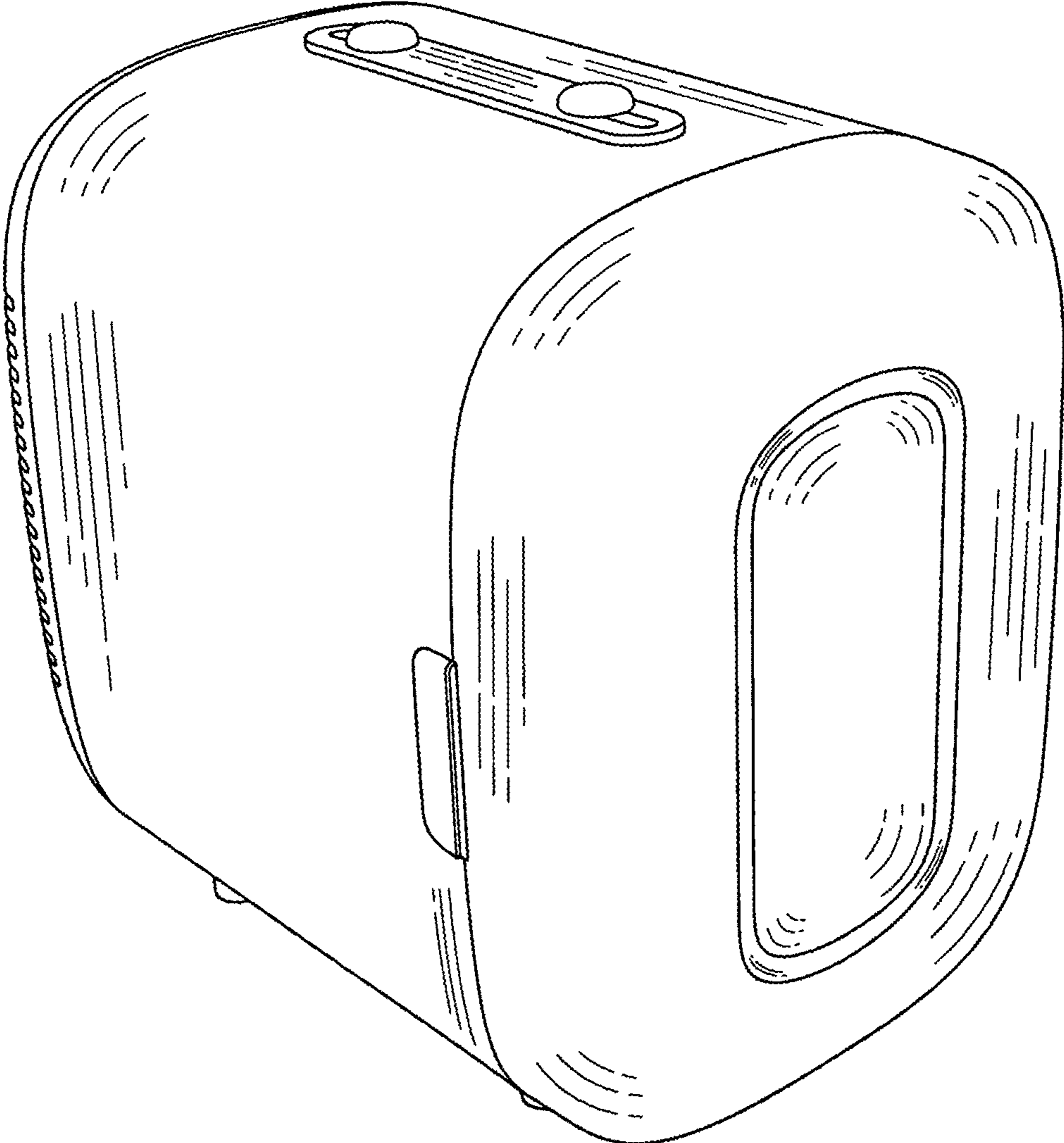


FIG. 7

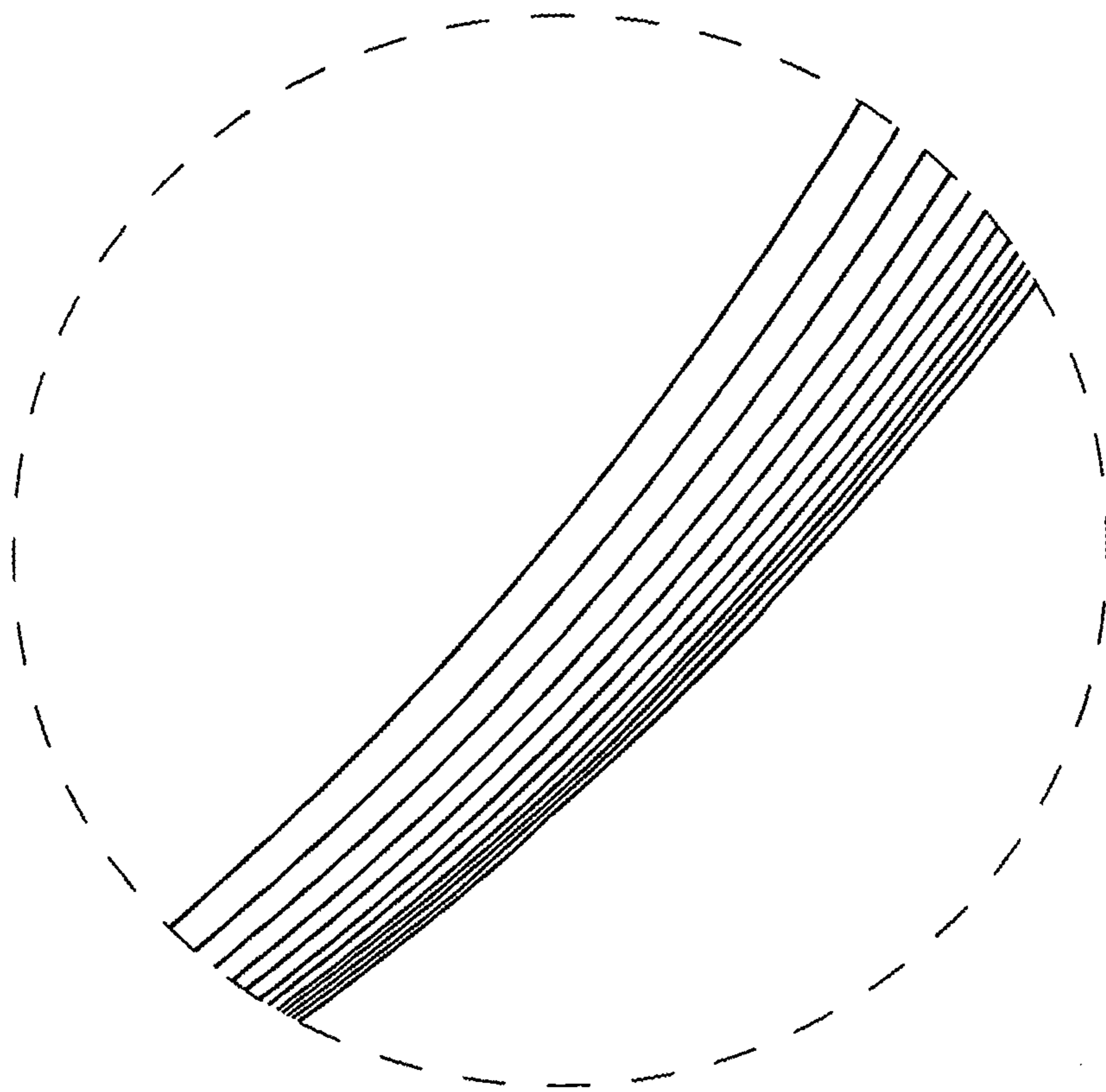


FIG. 8