



US00D952005S

(12) **United States Design Patent**
Lowe

(10) **Patent No.:** **US D952,005 S**

(45) **Date of Patent:** **** May 17, 2022**

(54) **JAW MEMBER FOR TREE REMOVAL
DEVICE**

(71) Applicant: **GSL Innovations Inc.**, Stoney Creek
(CA)

(72) Inventor: **Gareth Lowe**, Stoney Creek (CA)

(73) Assignee: **GSL Innovations Inc.**

(**) Term: **15 Years**

(21) Appl. No.: **29/755,887**

(22) Filed: **Oct. 23, 2020**

(30) **Foreign Application Priority Data**

Sep. 29, 2020 (CA) CA 198508

(51) **LOC (13) Cl.** **15-03**

(52) **U.S. Cl.**
USPC **D15/32**

(58) **Field of Classification Search**
USPC D15/28, 32; D34/28, 33, 34, 35
CPC .. B66C 3/14; B66C 3/005; B66C 3/04; B66C
3/16; B66C 1/585; A01G 23/065; A01G
23/02; A01G 23/04; A01G 23/06; A01G
23/062; A01G 23/08

See application file for complete search history.

(56) **References Cited**

U.S. PATENT DOCUMENTS

3,823,916 A	7/1974	Shaw	
4,067,369 A	1/1978	Harmon	
4,141,398 A	2/1979	Widegren et al.	
D306,599 S *	3/1990	Hunter	D15/32
5,301,882 A *	4/1994	Morikawa	E04G 23/082 241/101.73
5,671,788 A	9/1997	Rewis	
5,743,476 A *	4/1998	Morikawa	E04G 23/08 241/101.73

6,131,978 A *	10/2000	Rounds	B66C 1/585 294/902
D442,757 S *	5/2001	Loflin, Sr.	D15/32
D496,945 S *	10/2004	Daniel	D15/32
7,207,610 B1 *	4/2007	Kauppila	B66C 1/585 294/198
D645,062 S *	9/2011	LaValley	D15/28
D672,369 S *	12/2012	Secker	D15/28
8,464,972 B2 *	6/2013	Nye	E04G 23/082 241/266
D685,974 S *	7/2013	Price	D34/28
D704,752 S *	5/2014	Secker	D15/28

(Continued)

Primary Examiner — Mark A Goodwin

(74) *Attorney, Agent, or Firm* — Emerson, Thomson &
Bennett, LLC; Roger D. Emerson; Peter R. Detorre

(57) **CLAIM**

The ornamental design for a jaw member for tree removal device, as shown and described.

DESCRIPTION

FIG. 1 is an upper side perspective view of the jaw member for tree removal device.

FIG. 2 is a further upper side perspective of the jaw member for tree removal device.

FIG. 3 is a lower perspective view of the jaw member for tree removal device.

FIG. 4 is a top plan view of the jaw member for tree removal device.

FIG. 5 is a bottom view of the jaw member for tree removal device.

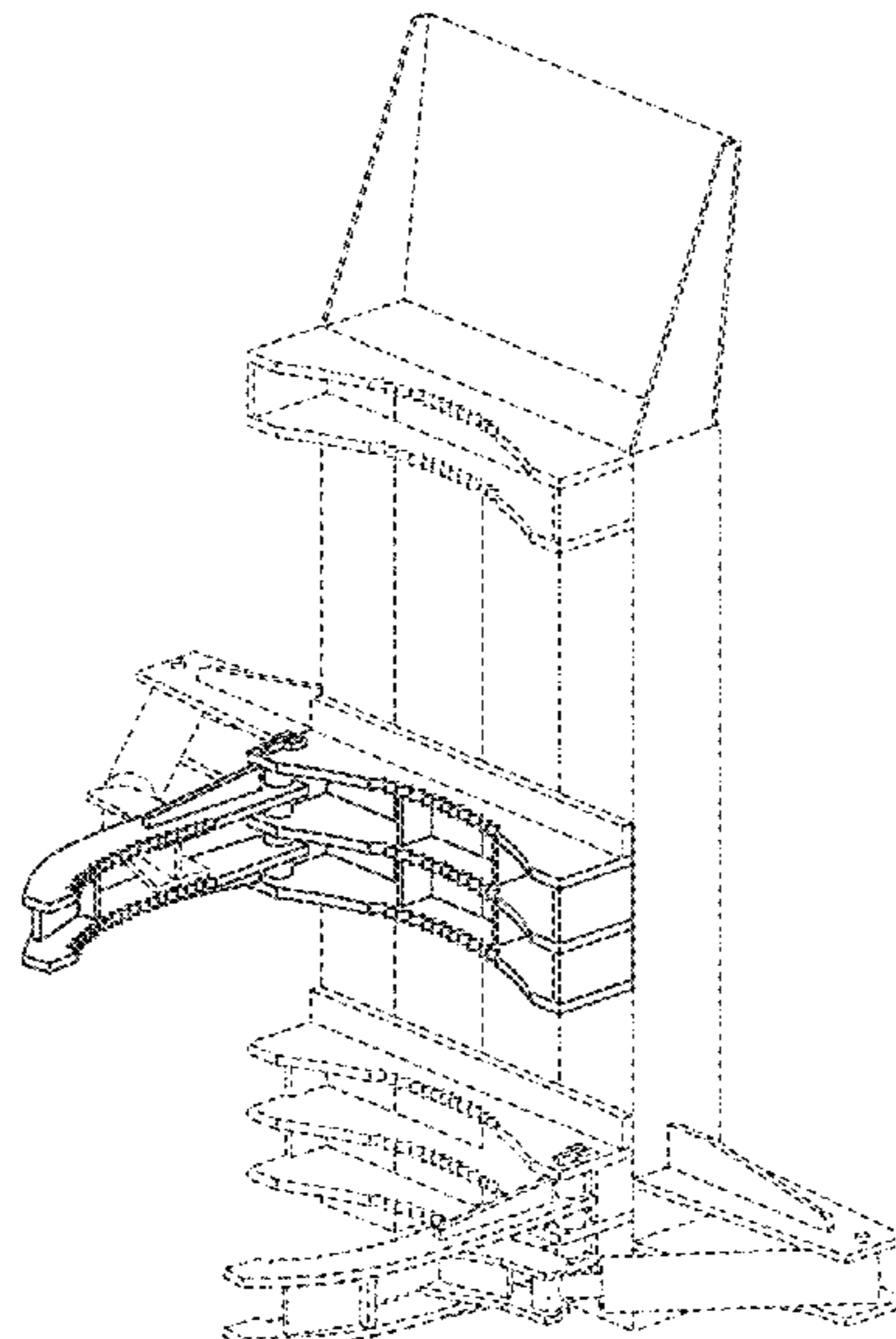
FIG. 6 is a front view of the jaw member for tree removal device.

FIG. 7 is a rear view of the jaw member for tree removal device.

FIG. 8 is a right side view of the jaw member for tree removal device; and,

FIG. 9 is a left side view of the jaw member for tree removal device.

1 Claim, 7 Drawing Sheets



(56)

References Cited

U.S. PATENT DOCUMENTS

D740,861 S * 10/2015 Aerts D15/28
D779,564 S * 2/2017 Jensen D15/28
D779,565 S * 2/2017 Jensen D15/28
9,815,128 B1 * 11/2017 Jensen B25J 15/0033
10,480,153 B2 * 11/2019 Belesimo E02F 3/404
10,624,279 B1 * 4/2020 Mead A01G 23/093
D920,390 S * 5/2021 Johnson D15/32
D930,052 S * 9/2021 Isringhausen B66C 1/425
D15/32
2007/0145171 A1 * 6/2007 Rafn E04G 23/082
241/101.73
2017/0015528 A1 * 1/2017 Ferguson E02F 3/4133
2018/0370773 A1 * 12/2018 Biadun A01G 23/006

* cited by examiner

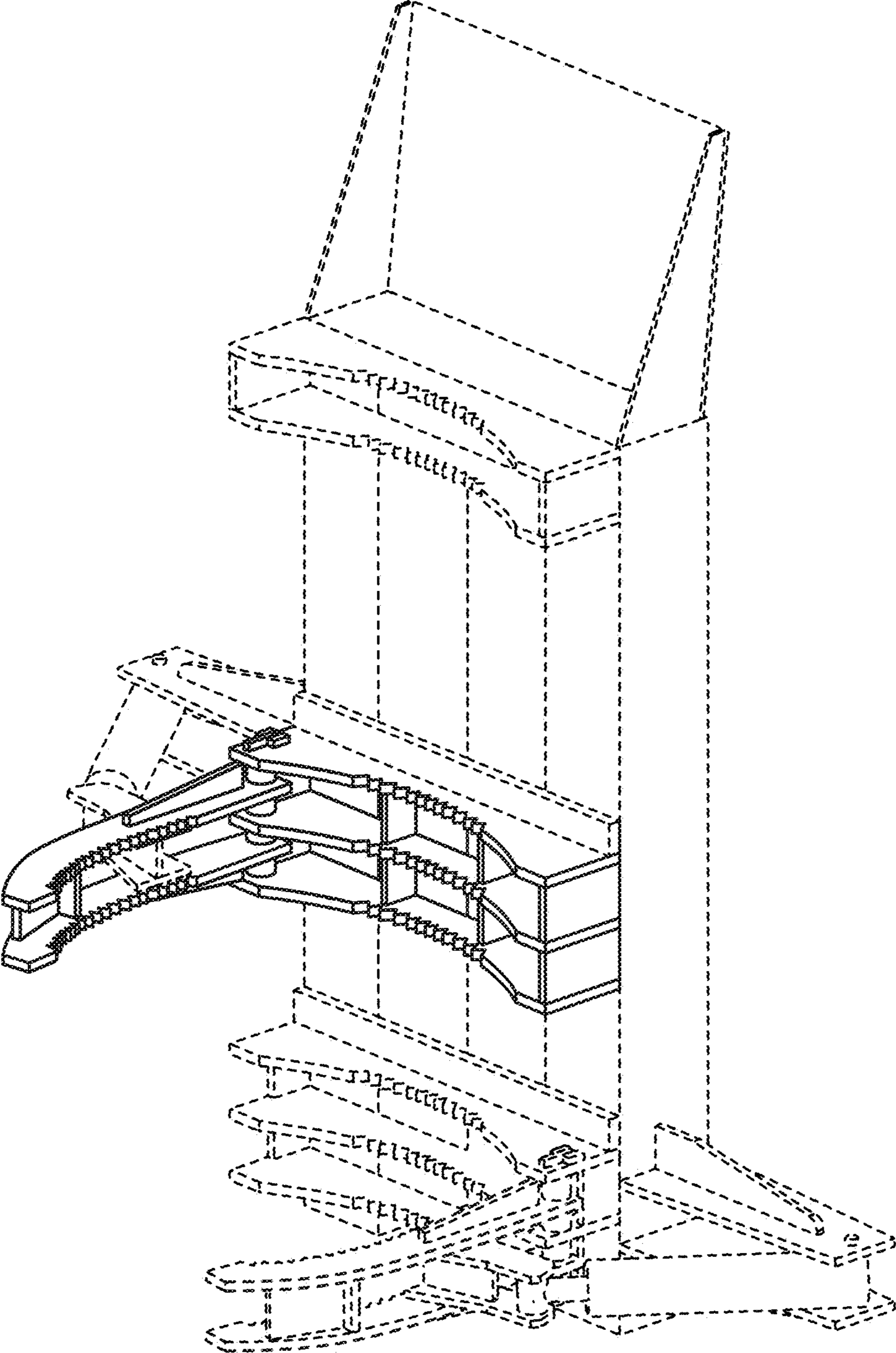


FIGURE 1

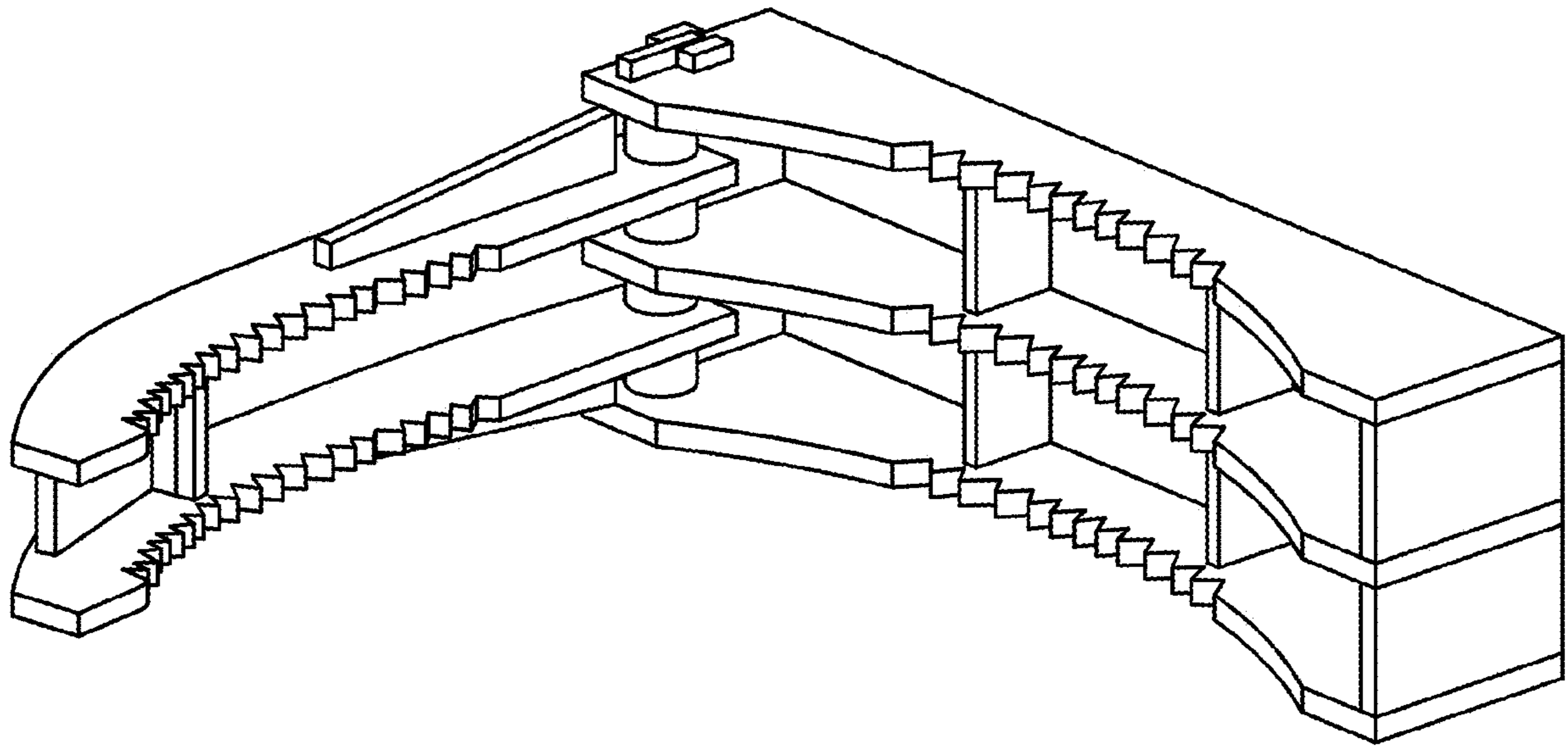


FIGURE 2

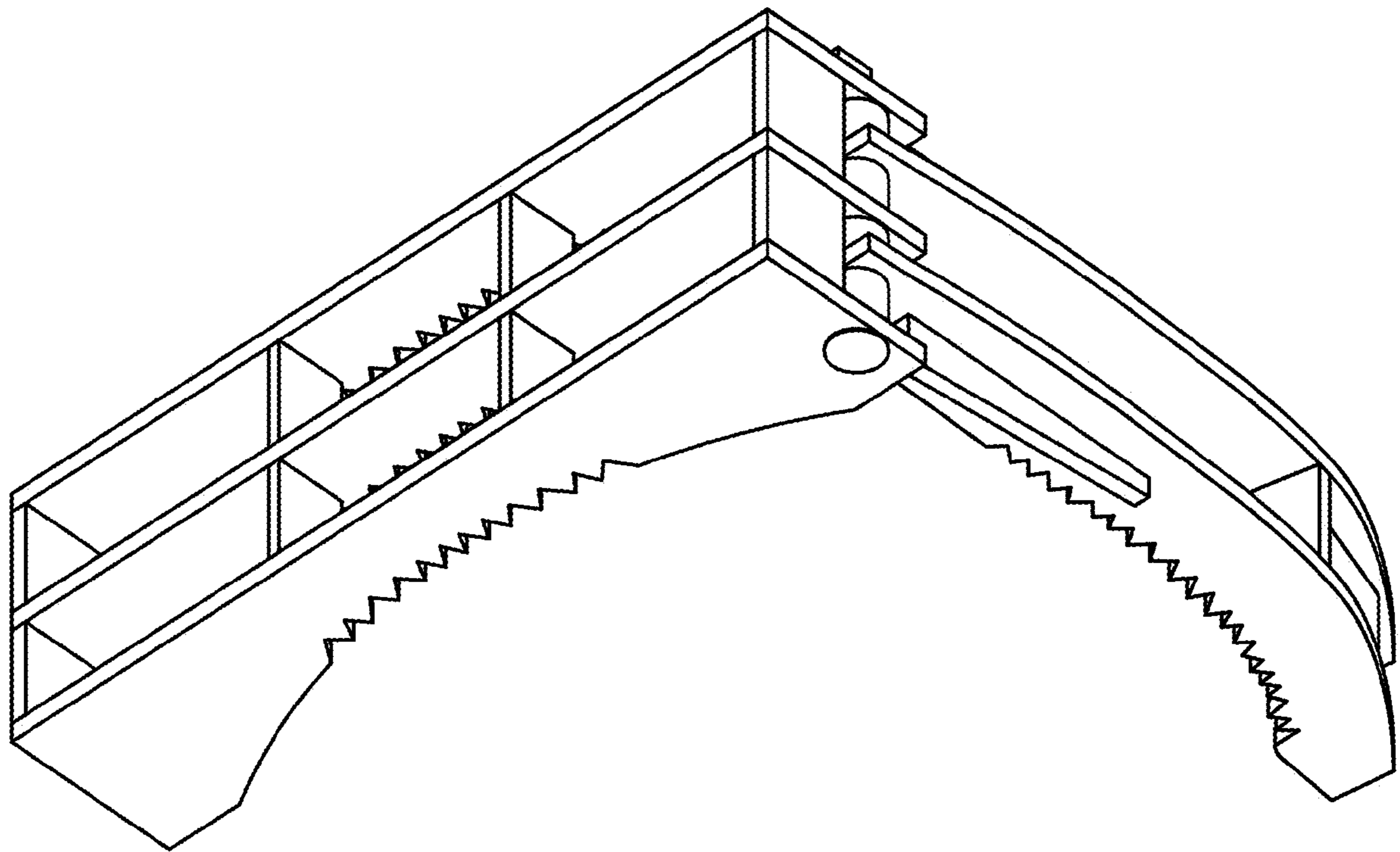


FIGURE 3

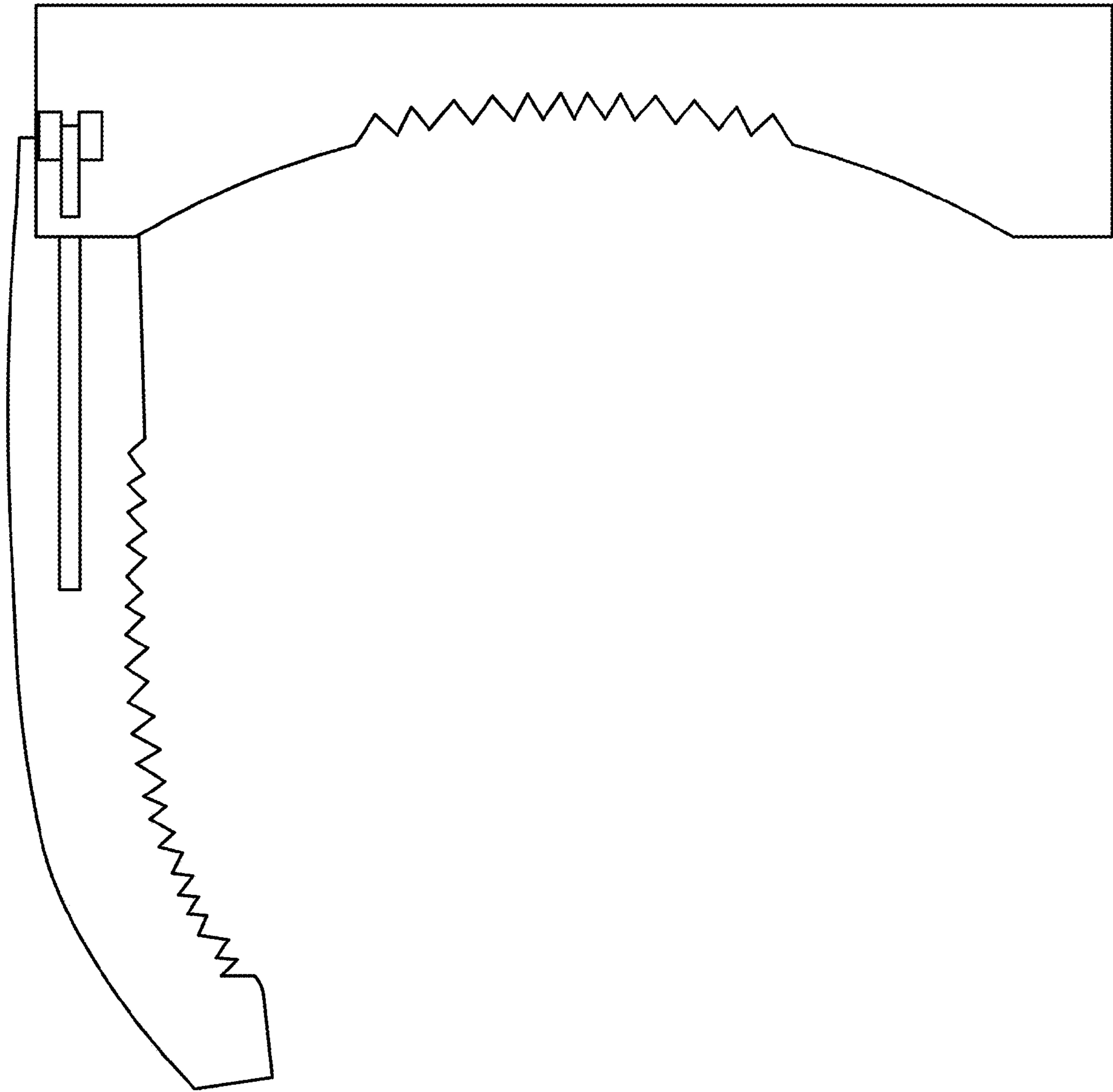


FIGURE 4

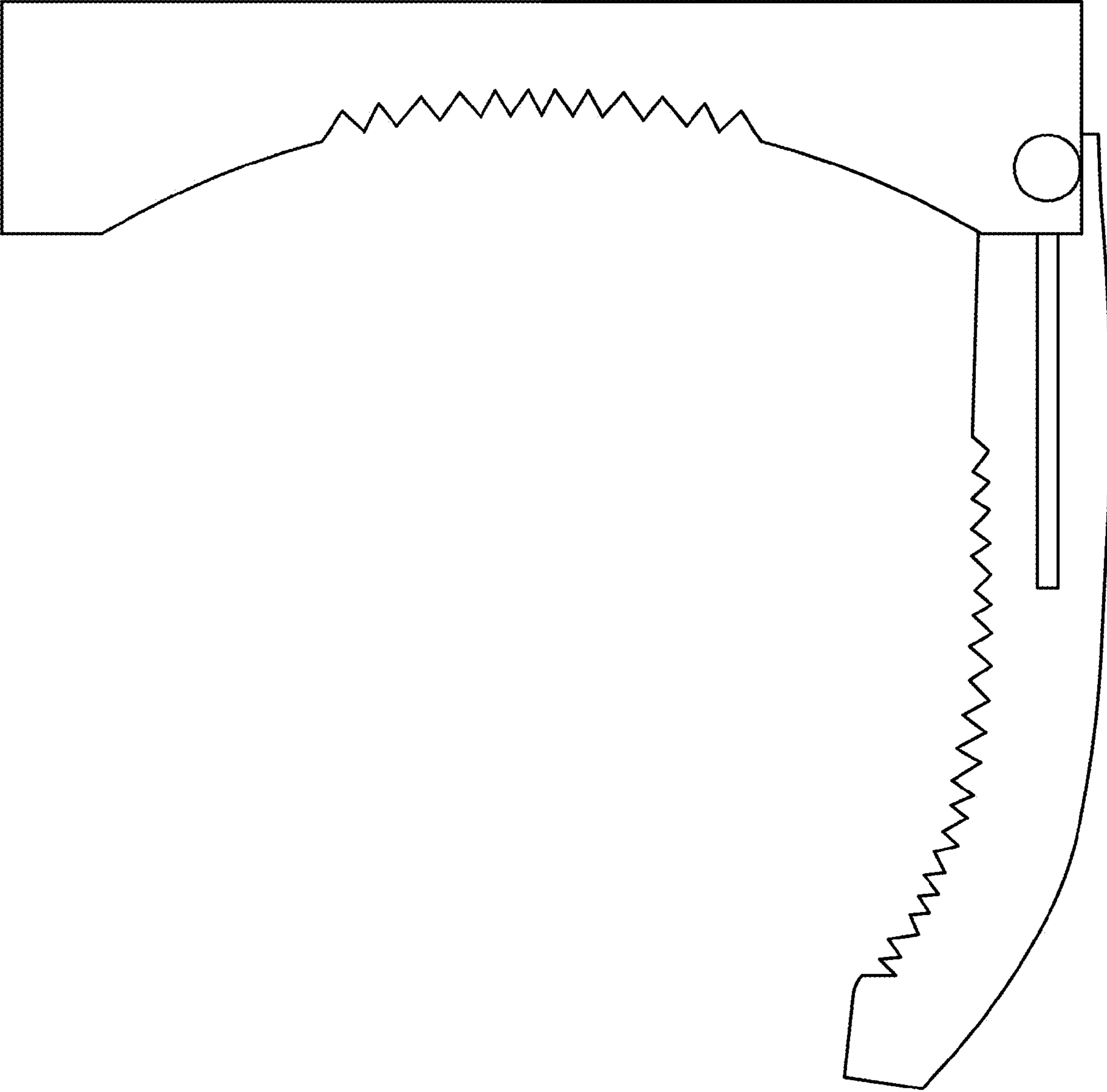


FIGURE 5

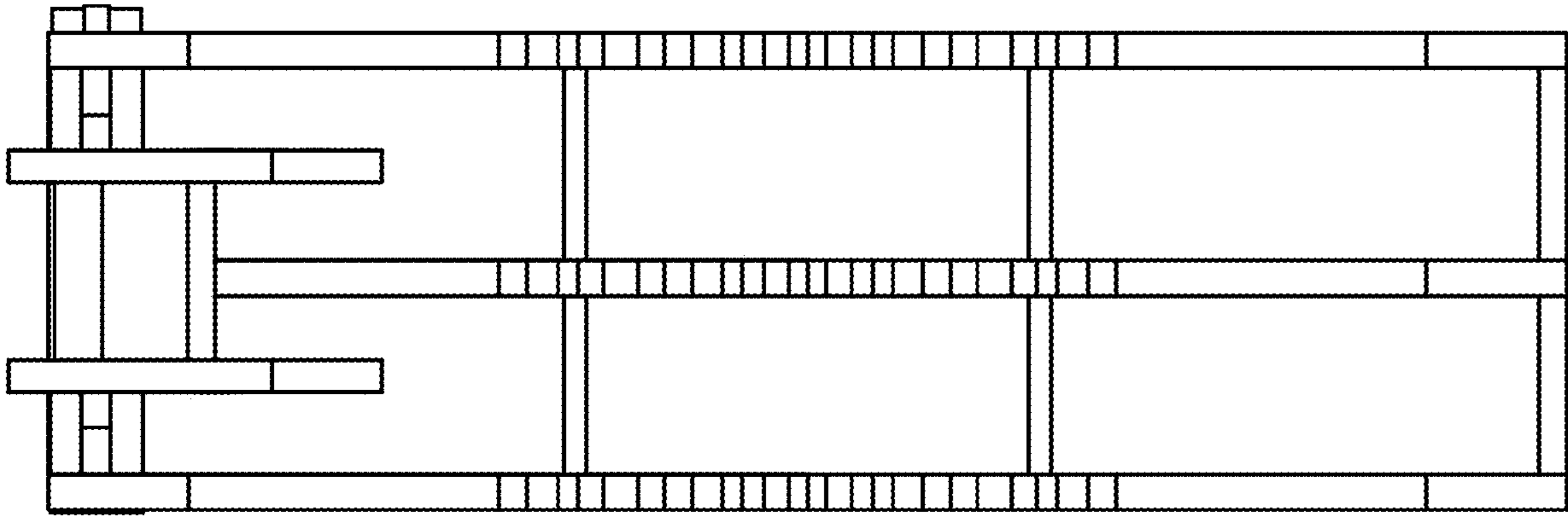


FIGURE 6

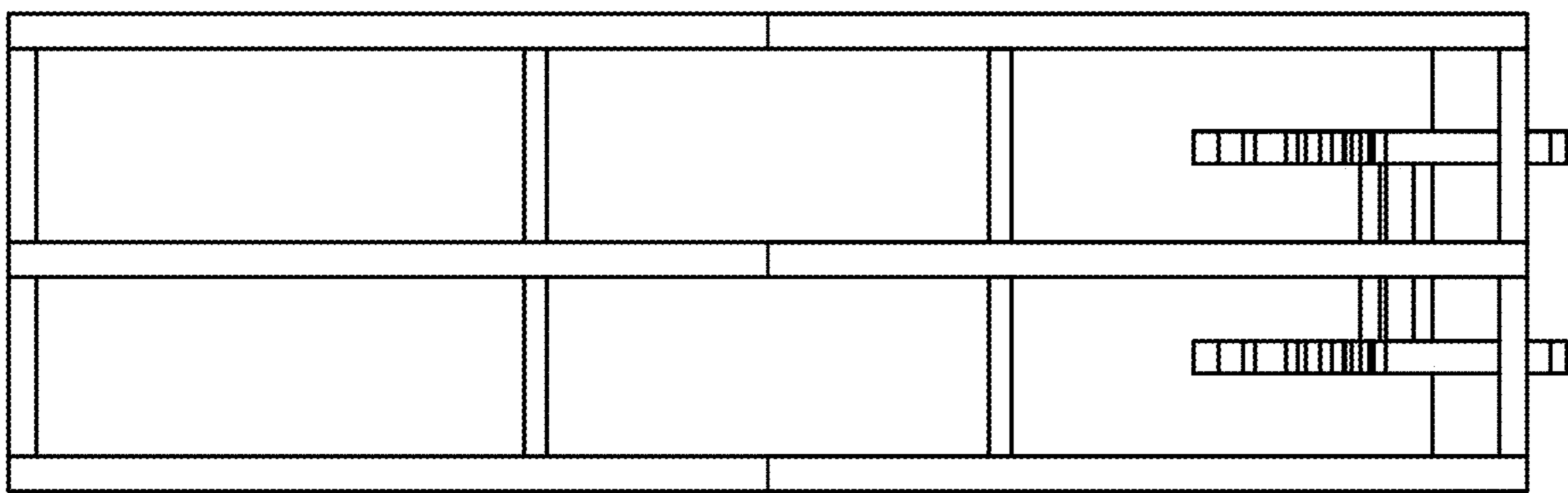


FIGURE 7

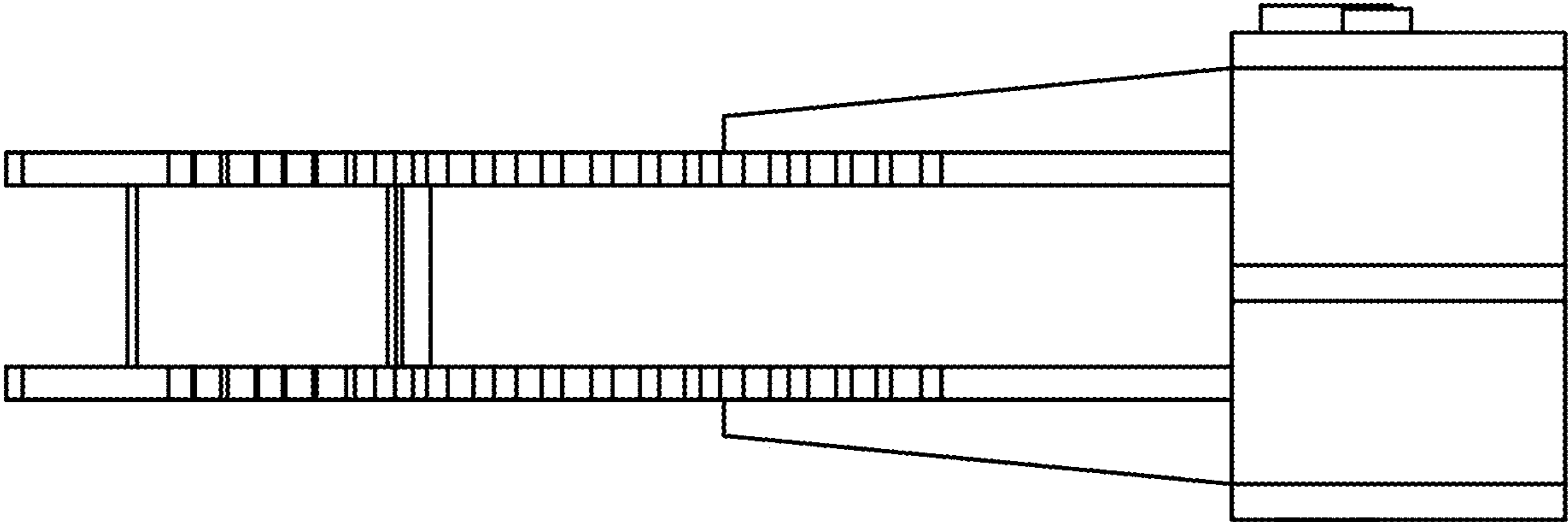


FIGURE 8

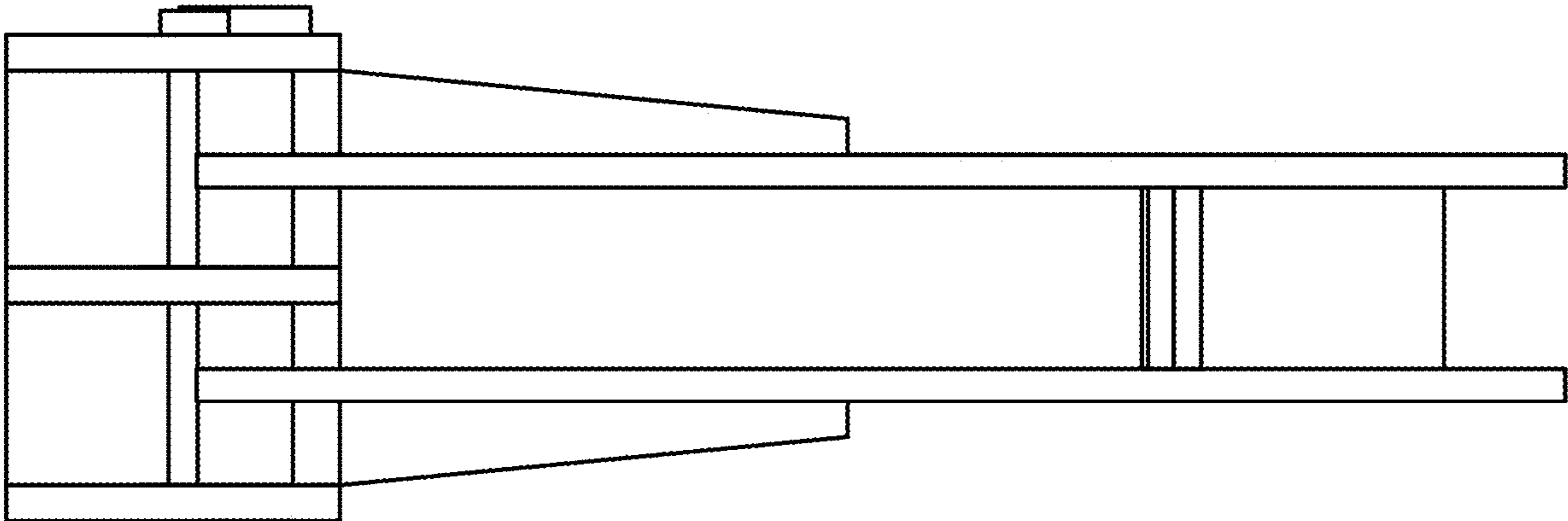


FIGURE 9