



US00D952004S

(12) **United States Design Patent**
Schramski

(10) **Patent No.:** **US D952,004 S**

(45) **Date of Patent:** **** May 17, 2022**

- (54) **TILLAGE SWEEP**
- (71) Applicant: **Nathaniel Schramski**, Kinde, MI (US)
- (72) Inventor: **Nathaniel Schramski**, Kinde, MI (US)
- (**) Term: **15 Years**
- (21) Appl. No.: **29/768,849**
- (22) Filed: **Feb. 1, 2021**
- (51) **LOC (13) Cl.** **15-03**
- (52) **U.S. Cl.**
USPC **D15/29**
- (58) **Field of Classification Search**
USPC D15/29
CPC A01B 37/00; A01B 35/26; A01B 35/22;
A01B 35/225; A01B 13/08; A01B 23/02;
A01B 15/04; A01B 15/025
See application file for complete search history.

- 5,373,904 A * 12/1994 Sanders A01B 15/025
172/721
- 5,456,323 A 10/1995 Hill
- 5,711,378 A 1/1998 Yeager
- 5,752,407 A 5/1998 Becker et al.
- 5,941,318 A * 8/1999 Bergen A01B 35/225
403/374.1
- 5,979,568 A 11/1999 Parish
- 5,983,813 A * 11/1999 Swab A01C 5/062
111/152
- 6,119,321 A * 9/2000 Bruce A01B 35/22
172/765
- 6,315,058 B1 11/2001 Birkenbach et al.
- 6,508,147 B1 1/2003 Bruce
(Continued)

Primary Examiner — Mark A Goodwin
(74) *Attorney, Agent, or Firm* — Inventech Patent Services, LLC; Marc A. Scharich

(57) **CLAIM**

The ornamental design for a tillage sweep, as shown and described.

DESCRIPTION

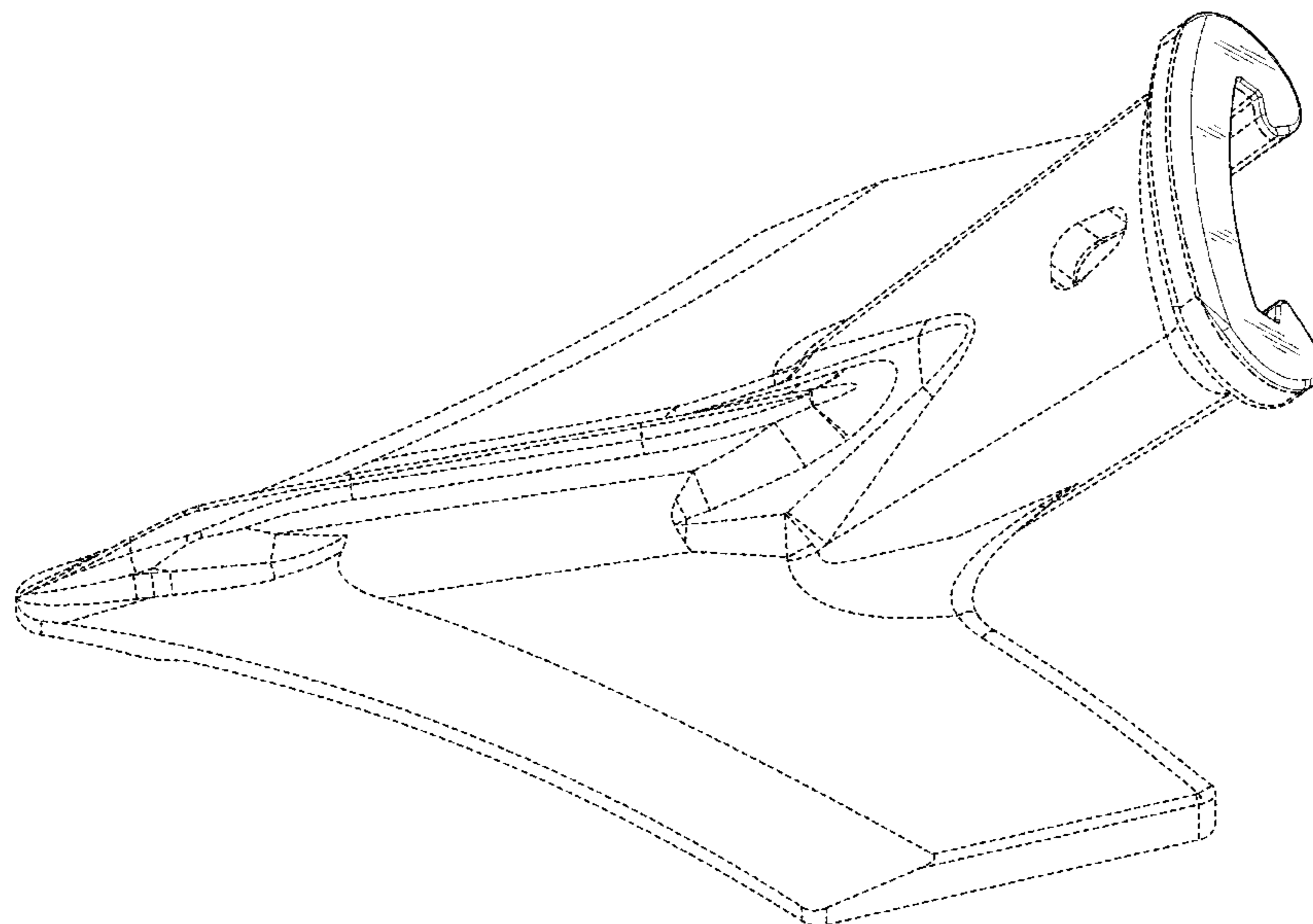
FIG. 1 is a top, left, rear perspective view of a tillage sweep, showing my new design;
FIG. 2 is a top, right, rear perspective view thereof;
FIG. 3 is a rear bottom perspective view thereof;
FIG. 4 is a front elevational view thereof;
FIG. 5 is a rear elevational view thereof;
FIG. 6 is a right-side elevational view thereof, a left-side elevational view being a mirror image thereof;
FIG. 7 is a top plan view thereof; and,
FIG. 8 is a bottom plan view thereof.
The evenly-broken dash-dash lines in the views illustrate portions of the tillage sweep that form no part of the claimed design. The broken dash-dot lines in the views define peripheral boundaries of the claimed design and form no part of the claimed design.

1 Claim, 8 Drawing Sheets

(56) **References Cited**

U.S. PATENT DOCUMENTS

- 199,590 A 1/1878 Speer
- 1,499,531 A 7/1924 Hoeregott
- 2,595,353 A * 5/1952 Graham A01B 35/22
172/733
- D277,862 S 3/1985 Johnson et al.
- 4,580,639 A 4/1986 Johnson
- D288,689 S * 3/1987 Johnson D15/29
- 4,697,646 A 10/1987 Johnson et al.
- 4,781,254 A 11/1988 Johnson
- 4,787,462 A * 11/1988 Nichols A01B 35/26
172/730
- 4,850,435 A * 7/1989 Morris A01B 35/26
172/732
- 4,871,032 A 10/1989 McGuire et al.
- 5,176,209 A * 1/1993 VandenBrink A01B 35/20
172/765
- 5,259,461 A 11/1993 Cochrane
- 5,271,342 A * 12/1993 Neidhardt A01C 23/025
111/119



(56)

References Cited

U.S. PATENT DOCUMENTS

6,571,884	B1	6/2003	Horvath et al.	
6,585,058	B2	7/2003	Zaun et al.	
D480,734	S *	10/2003	Poutre	D15/29
6,684,963	B1	2/2004	Poutre et al.	
6,814,151	B1	11/2004	Peck et al.	
6,877,568	B2	4/2005	Poutre	
6,938,700	B2	9/2005	Zaun et al.	
7,055,619	B2	6/2006	Linnebur et al.	
7,070,007	B2	7/2006	Poutre et al.	
7,124,836	B2	10/2006	Poutre et al.	
7,255,179	B2	8/2007	Pollard	
7,770,657	B2	8/2010	Poutre	
D786,315	S *	5/2017	Hua	D15/28
10,314,221	B2	6/2019	Balvanz	
10,568,252	B2	2/2020	Hemerson	
2003/0010157	A1 *	1/2003	Bruce	A01B 35/22 172/732
2005/0252668	A1 *	11/2005	Poutre	A01B 15/04 172/724
2012/0227993	A1 *	9/2012	Ingersoll	A01B 23/02 172/721
2016/0227695	A1 *	8/2016	Skjæveland	A01B 23/02
2017/0257998	A1 *	9/2017	Hemerson	A01B 35/26
2018/0368305	A1 *	12/2018	Sanderson	A01B 35/225
2019/0098823	A1 *	4/2019	Gertson	A01B 23/02
2021/0007263	A1 *	1/2021	Bärnthaler	A01B 15/06
2021/0051831	A1 *	2/2021	Kovach	A01B 35/225
2021/0251125	A1 *	8/2021	Roepsch	A01B 33/021

* cited by examiner

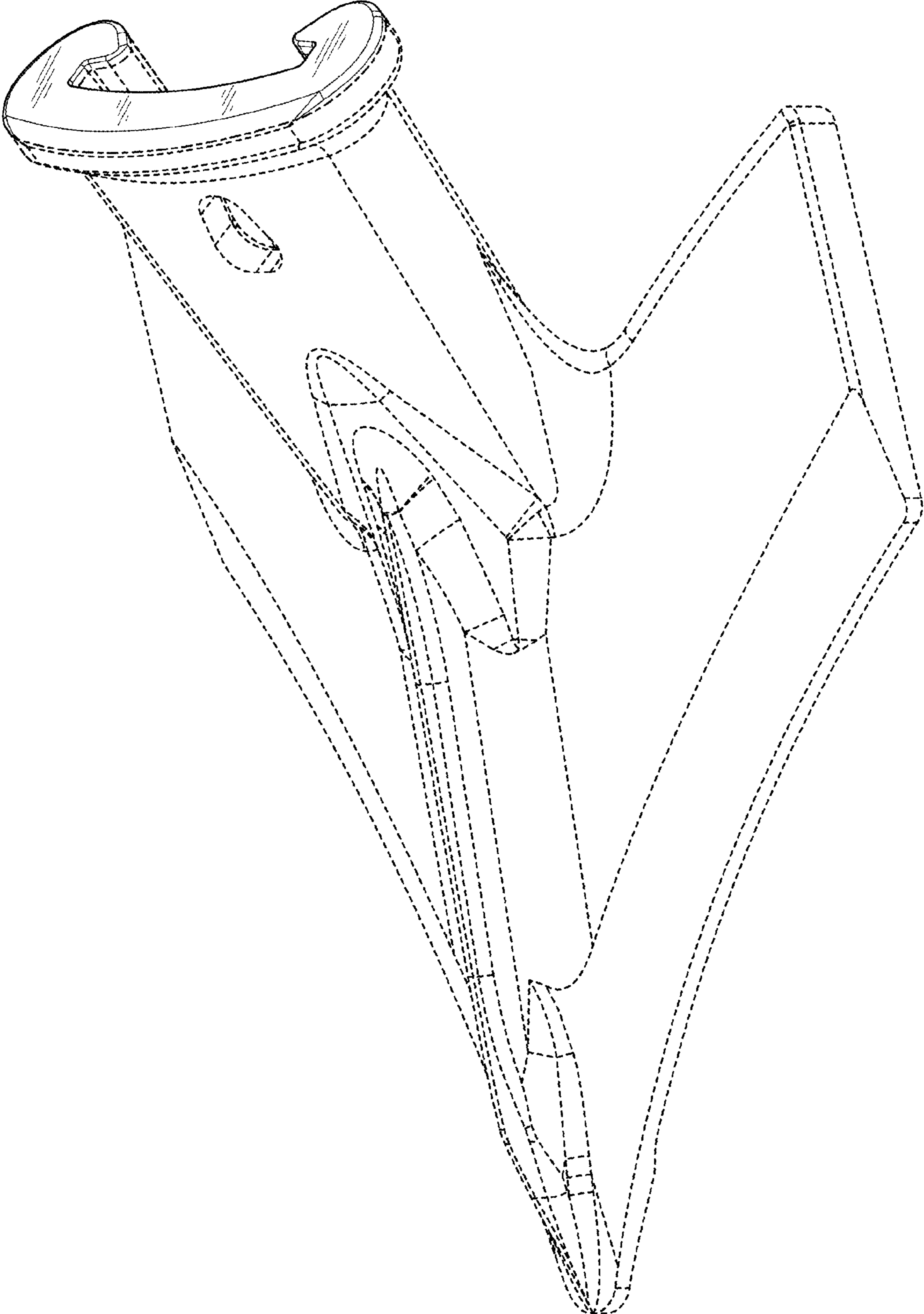


FIG. 1

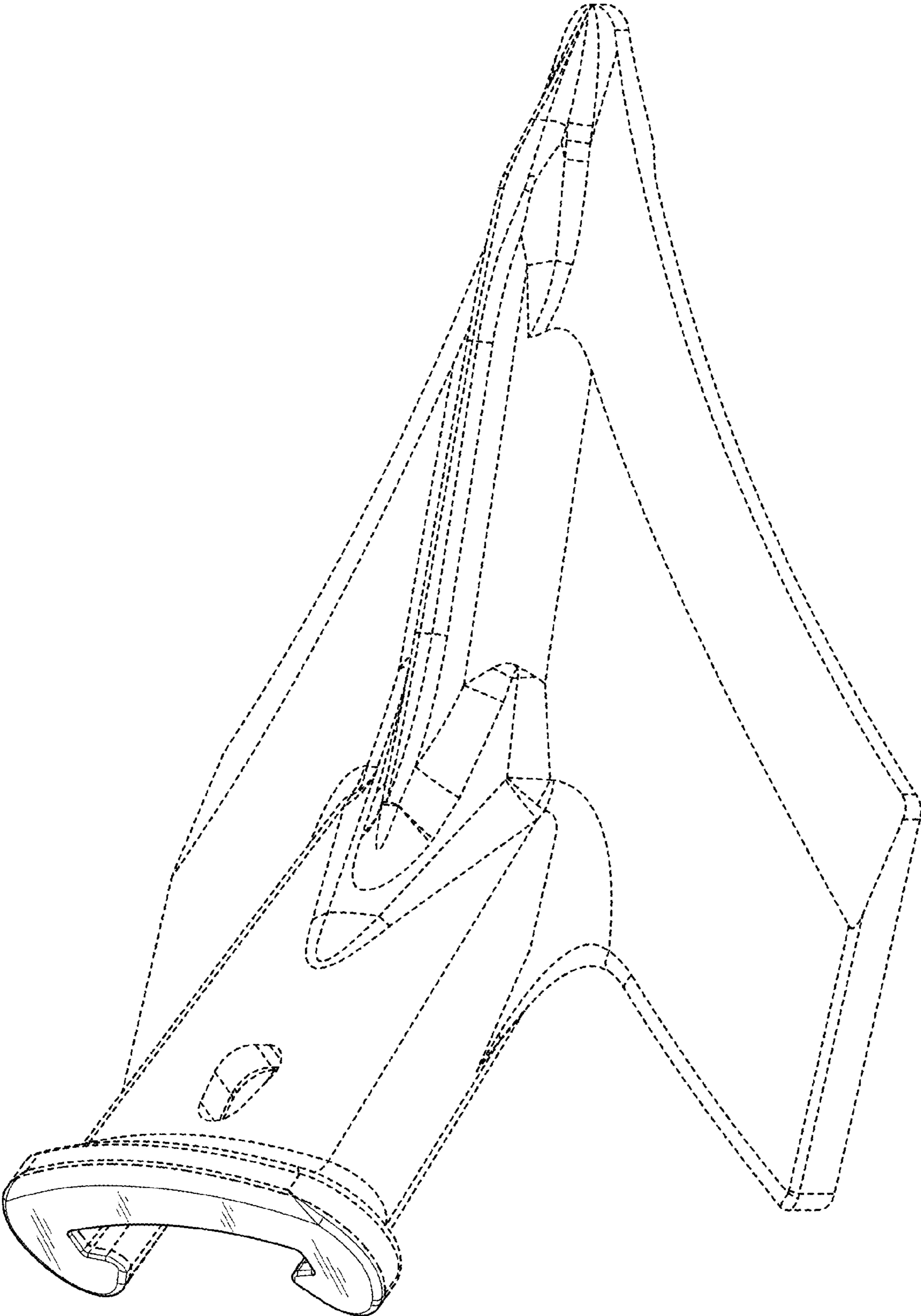


FIG. 2

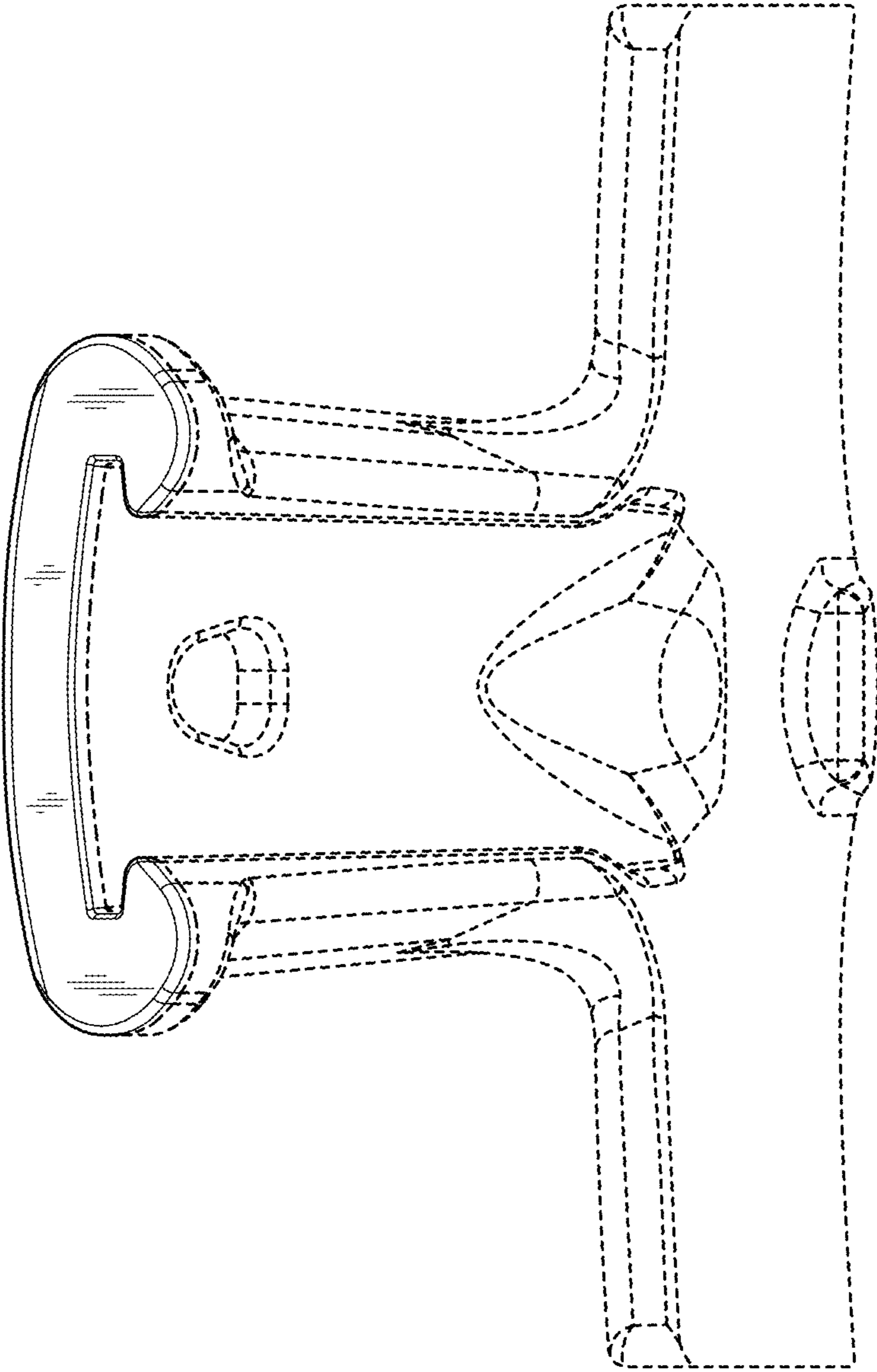


FIG. 3

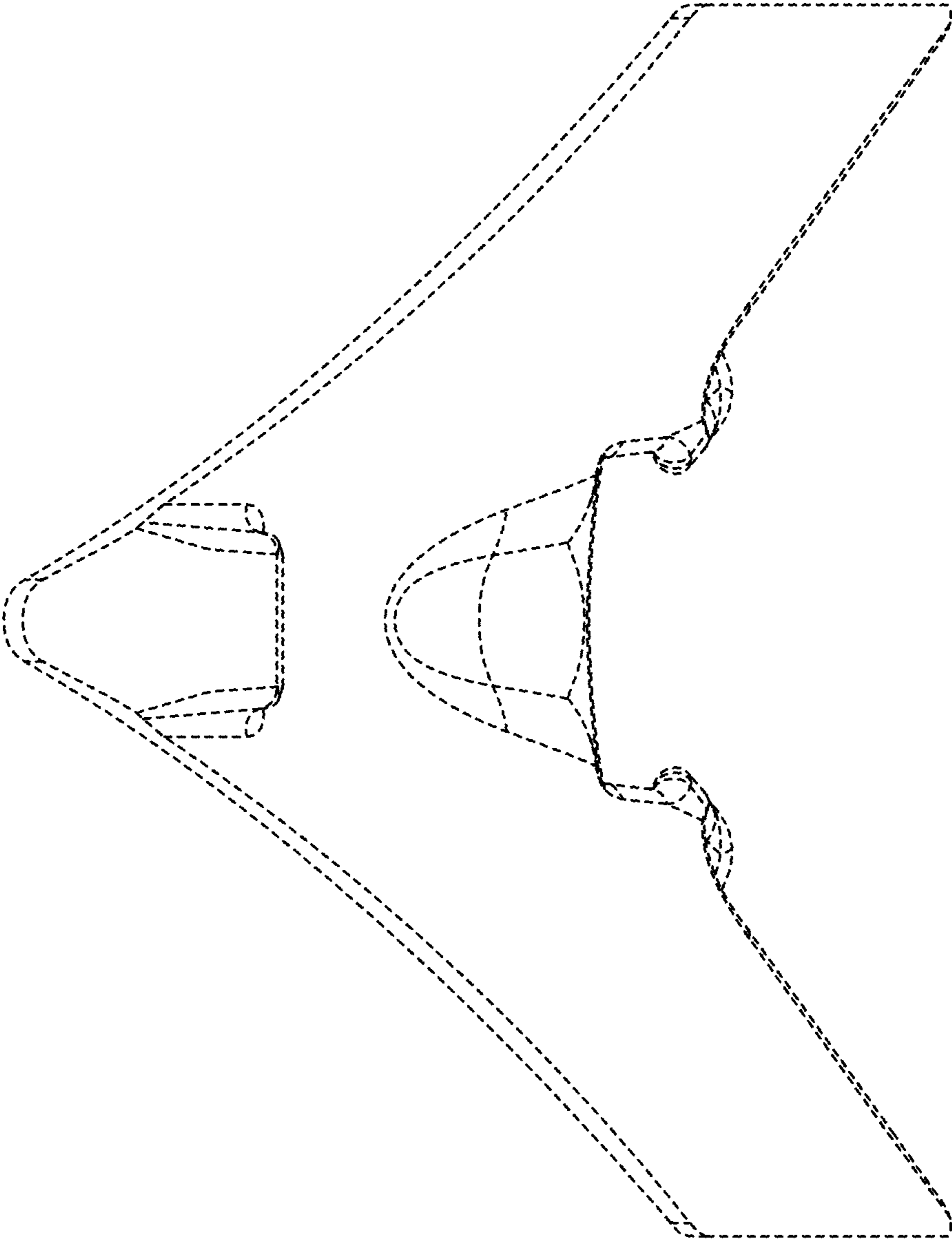


FIG. 4

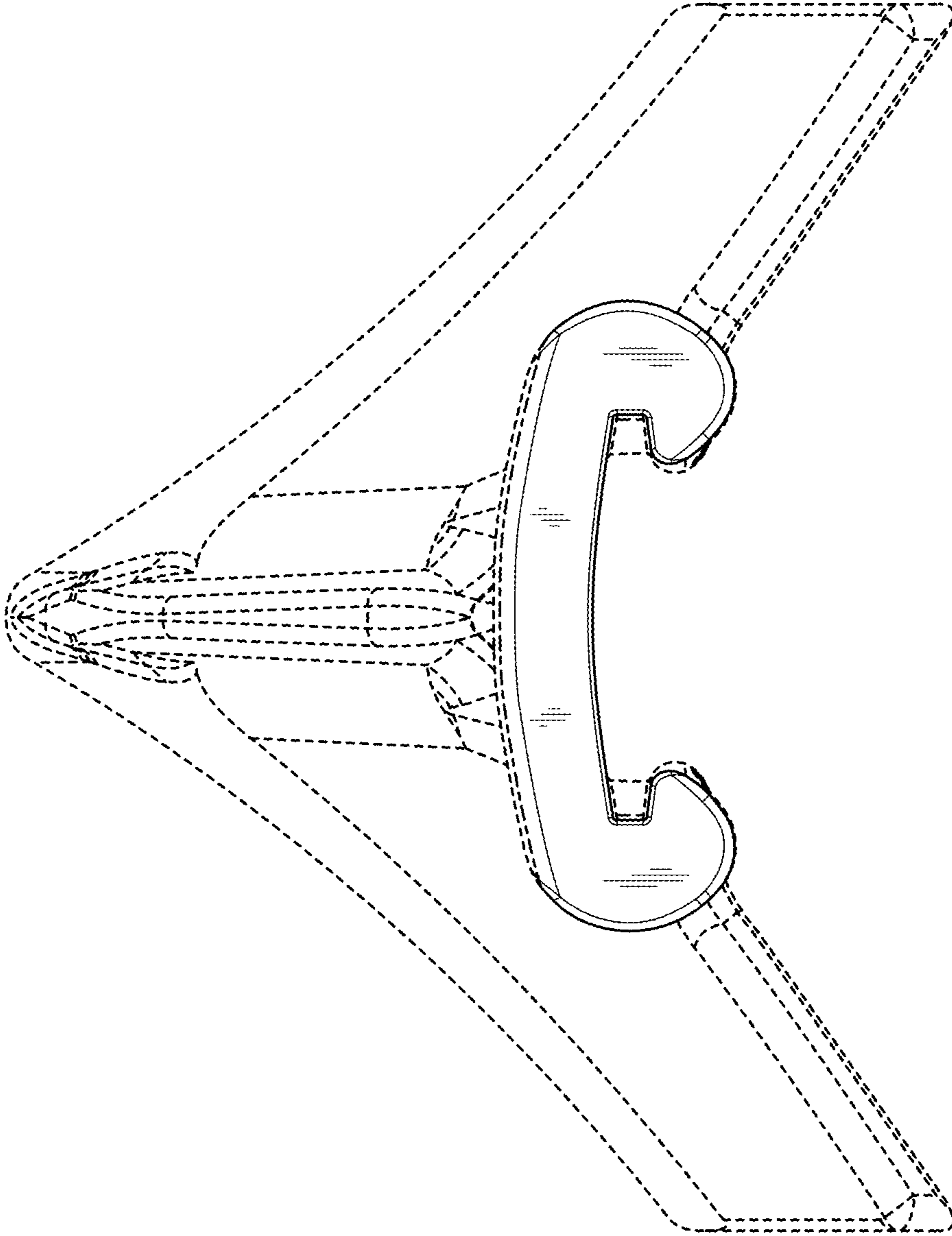


FIG. 5

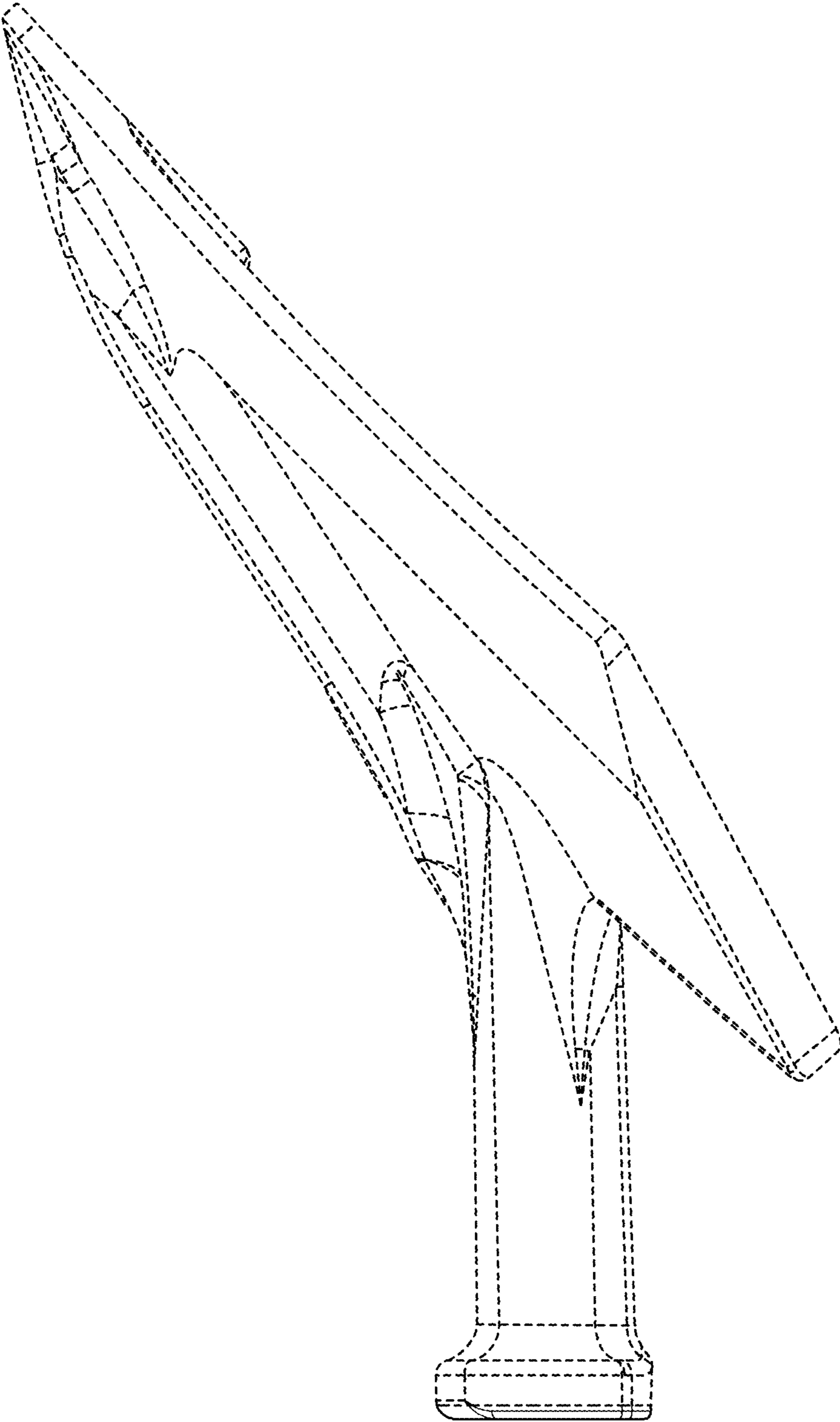


FIG. 6

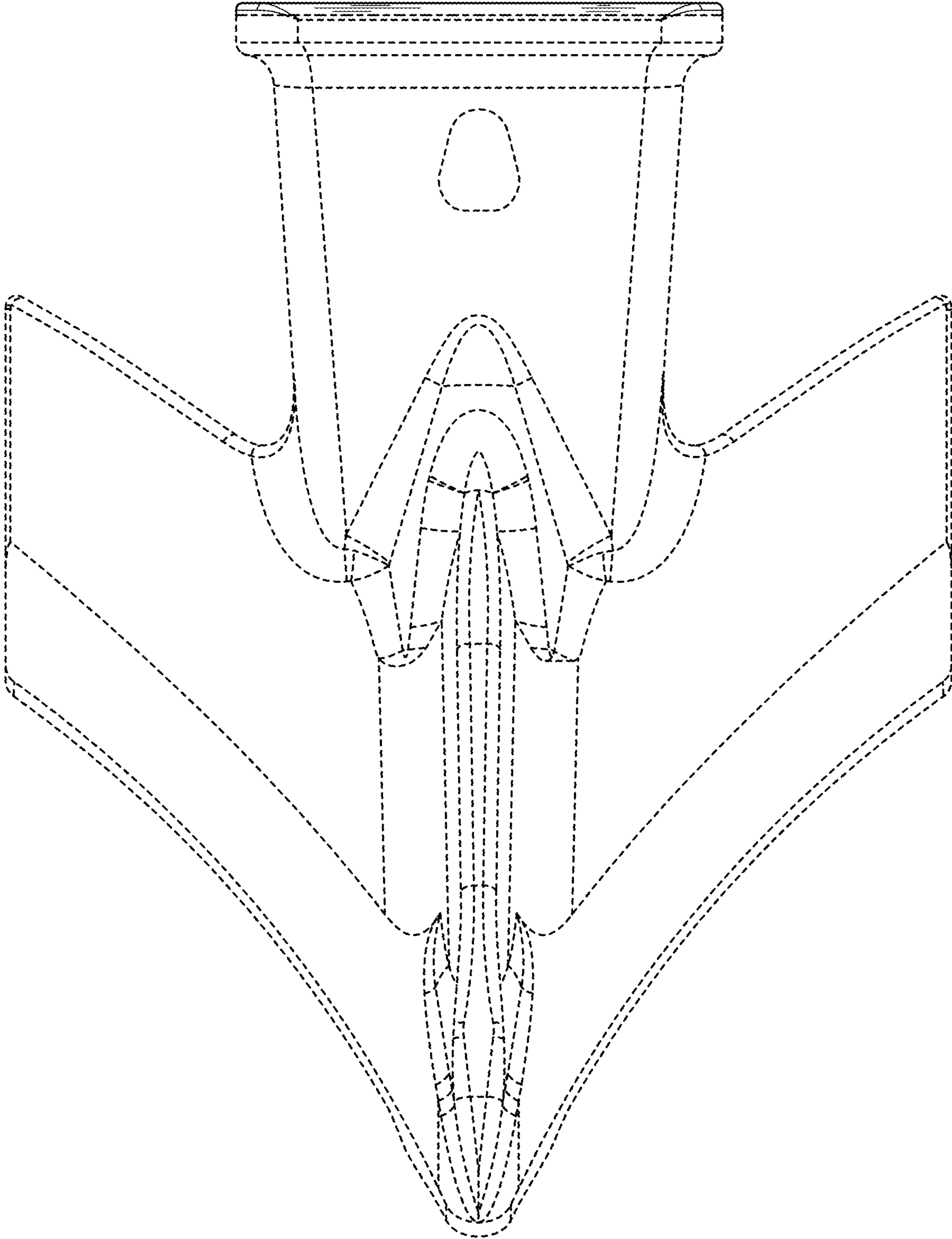


FIG. 7

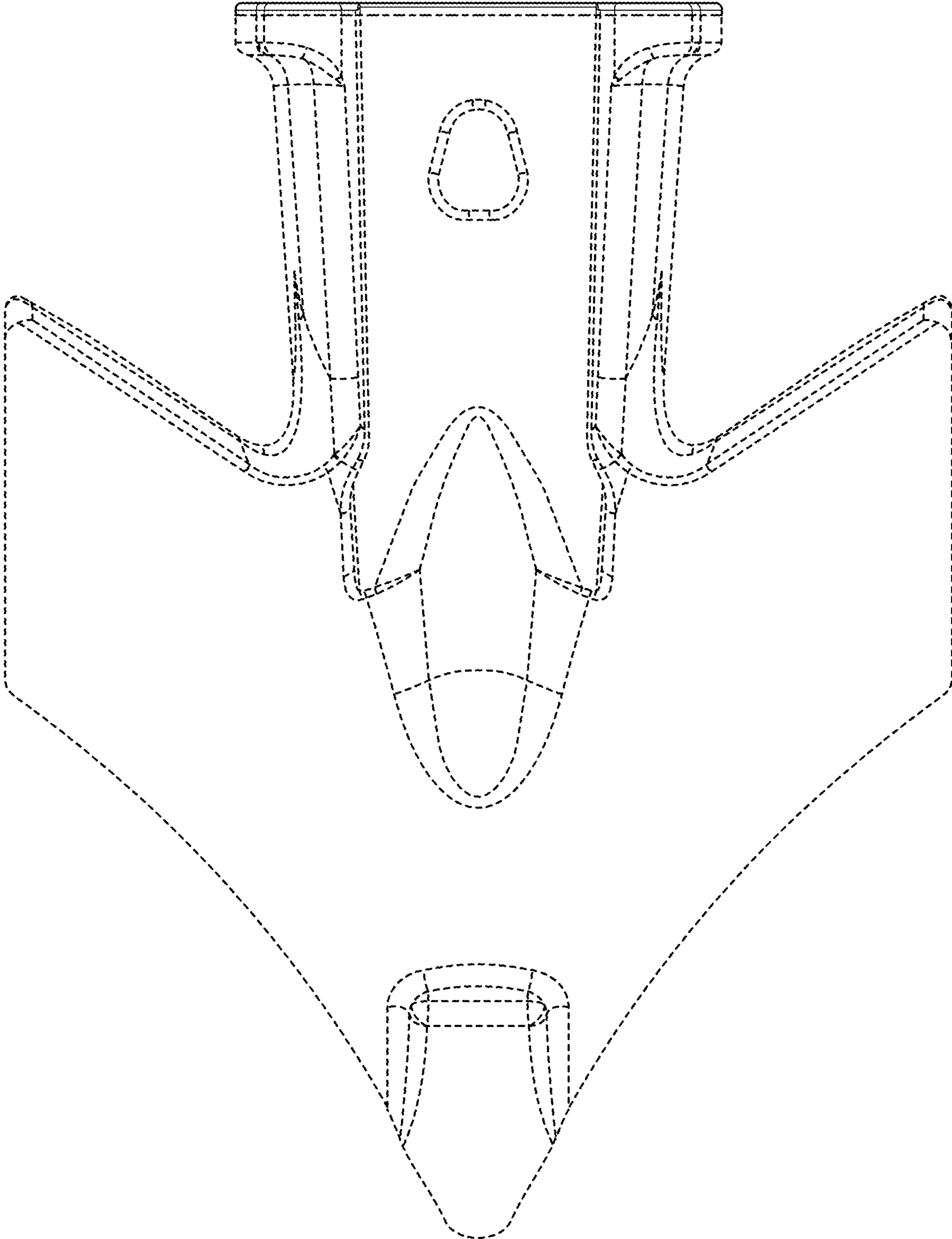


FIG. 8