



US00D952001S

(12) **United States Design Patent** (10) **Patent No.:** **US D952,001 S**
Schildger et al. (45) **Date of Patent:** **** May 17, 2022**

(54) **COMPRESSOR**

(71) Applicant: **SUMITOMO RUBBER INDUSTRIES, LTD.**, Kobe (JP)

(72) Inventors: **Daniel Schildger**, Kobe (JP); **Andreas Villnow**, Kobe (JP); **Michael M. Koegler**, Kobe (JP)

(73) Assignee: **SUMITOMO RUBBER INDUSTRIES, LTD.**, Kobe (JP)

(**) Term: **15 Years**

(21) Appl. No.: **29/749,425**

(22) Filed: **Sep. 4, 2020**

(30) **Foreign Application Priority Data**

Jun. 18, 2020 (JP) 2020-012129 D

(51) **LOC (13) Cl.** **15-02**

(52) **U.S. Cl.**
USPC **D15/9; D15/7**

(58) **Field of Classification Search**
USPC D15/7-9; D13/103, 107; D24/108, 110, D24/111; D23/210, 225, 231, 232
CPC . B25B 21/02; B60S 5/04; B60S 5/046; B29C 73/00; B29C 73/16; B29C 73/025; B29C 73/166; F04B 53/00; F04B 35/04; F04B 37/10; E03B 5/00; B60C 25/16; B60C 29/062

See application file for complete search history.

(56) **References Cited**

U.S. PATENT DOCUMENTS

D499,426 S * 12/2004 Chou D15/7
D582,945 S * 12/2008 Chou D15/9
D627,795 S * 11/2010 Eckhardt D15/9
D629,424 S * 12/2010 Eckhardt D15/9
D644,252 S * 8/2011 Kojima D15/9

D657,801 S * 4/2012 Eckhardt D15/9
8,146,622 B2 * 4/2012 Guan B60C 29/062
141/38
D665,427 S * 8/2012 Inskeep D15/9
D670,313 S * 11/2012 Ohm D15/7
D672,368 S * 12/2012 Wong D15/9
D678,351 S * 3/2013 Wong D15/9
D703,241 S * 4/2014 Eckhardt D15/9

(Continued)

OTHER PUBLICATIONS

Airman, ResQ Tire Repair Kit, (first available date Feb. 21, 2013), Amazon.com, URL:<https://www.amazon.com/Airman-71-051-021-Repair-Compressor-Sealant/dp/B00BJ34L3E> (Year: 2013).*

(Continued)

Primary Examiner — Calvin E Vansant

Assistant Examiner — Mark T. Philipps

(74) *Attorney, Agent, or Firm* — Birch, Stewart, Kolasch & Birch, LLP

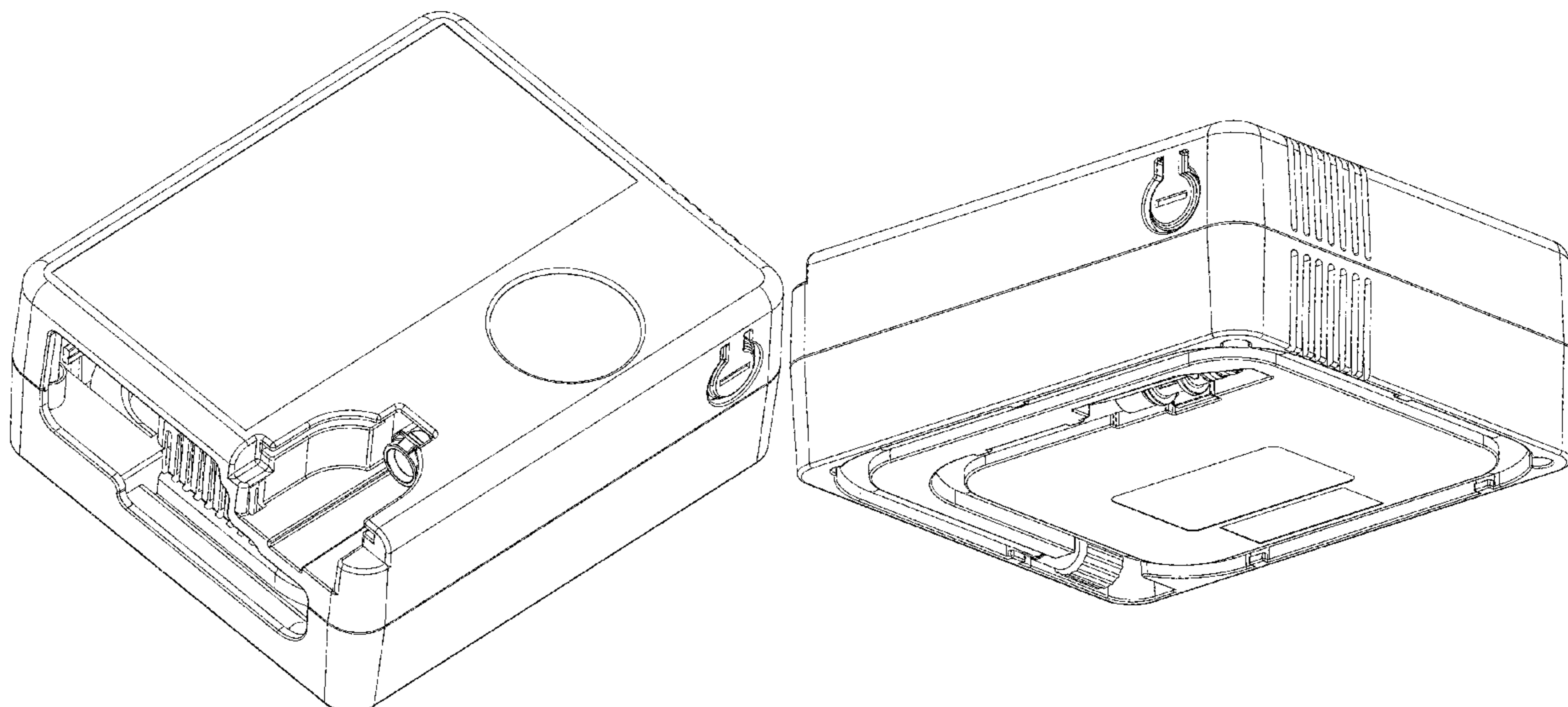
(57) **CLAIM**

The ornamental design for a compressor, as shown and described.

DESCRIPTION

FIG. 1 is a rear, right perspective view of a compressor showing our new design;
FIG. 2 is a front view thereof;
FIG. 3 is a left side view thereof;
FIG. 4 is a rear view thereof;
FIG. 5 is a right side view thereof;
FIG. 6 is a bottom view thereof;
FIG. 7 is a top view thereof;
FIG. 8 is a rear, left perspective view thereof; and,
FIG. 9 is a front, right perspective view thereof.
The portions of the drawings shown in broken lines illustrate portions of the compressor that form no part of the claimed design.

1 Claim, 9 Drawing Sheets



(56)

References Cited

U.S. PATENT DOCUMENTS

D722,618 S * 2/2015 Wong D15/9
 D723,588 S * 3/2015 Wang D15/9
 8,978,716 B2 * 3/2015 Chou B60S 5/043
 141/38
 D727,972 S * 4/2015 Jhou D15/9
 D727,973 S * 4/2015 Jhou D15/9
 9,027,608 B2 * 5/2015 Chou B60C 29/064
 141/38
 D734,367 S * 7/2015 Jhou D15/9
 D737,864 S * 9/2015 Jhou D15/9
 D751,120 S * 3/2016 Spindler D15/9
 D751,121 S * 3/2016 Spindler D15/9
 D754,209 S * 4/2016 Chou D15/7
 9,868,420 B2 * 1/2018 Chou B60S 5/046
 9,879,665 B2 * 1/2018 Chou F04B 35/04
 9,957,966 B2 * 5/2018 Chou F04D 29/522
 D823,364 S * 7/2018 Yoshida D15/199

10,077,770 B2 * 9/2018 Chou F04B 53/08
 D866,605 S * 11/2019 Chou D15/9
 D866,606 S * 11/2019 Chou D15/9
 D881,238 S * 4/2020 Hong D15/9
 2015/0197066 A1 * 7/2015 Wong B29C 73/166
 141/38
 2016/0288434 A1 * 10/2016 Eckhardt B60C 29/064
 2017/0313001 A1 * 11/2017 Petrelli B29C 73/025
 2018/0211572 A1 * 7/2018 Leuthe G09F 3/00
 2018/0333927 A1 * 11/2018 Spindler B29C 73/025
 2018/0333928 A1 * 11/2018 Hamatani B29C 73/166

OTHER PUBLICATIONS

Sumitomo Rubber Industries, "Efforts to Make Spare Tires a Thing of the Past", (site visited Oct. 6, 2021), SRIGROUP.co.jp website, URL:<https://www.srigroup.co.jp/english/innovation/report_04.html> (Year: 2021).*

* cited by examiner

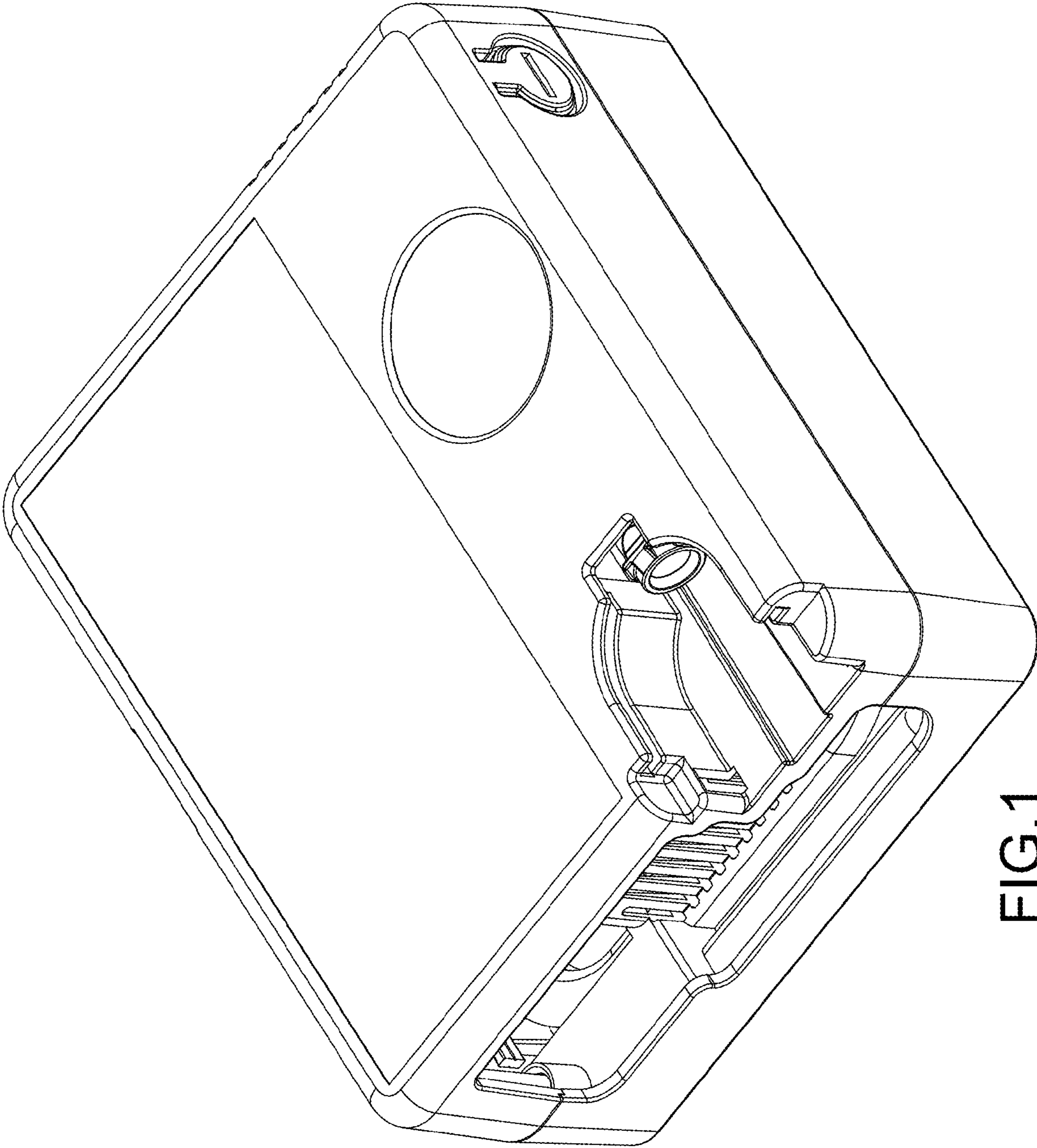


FIG.1

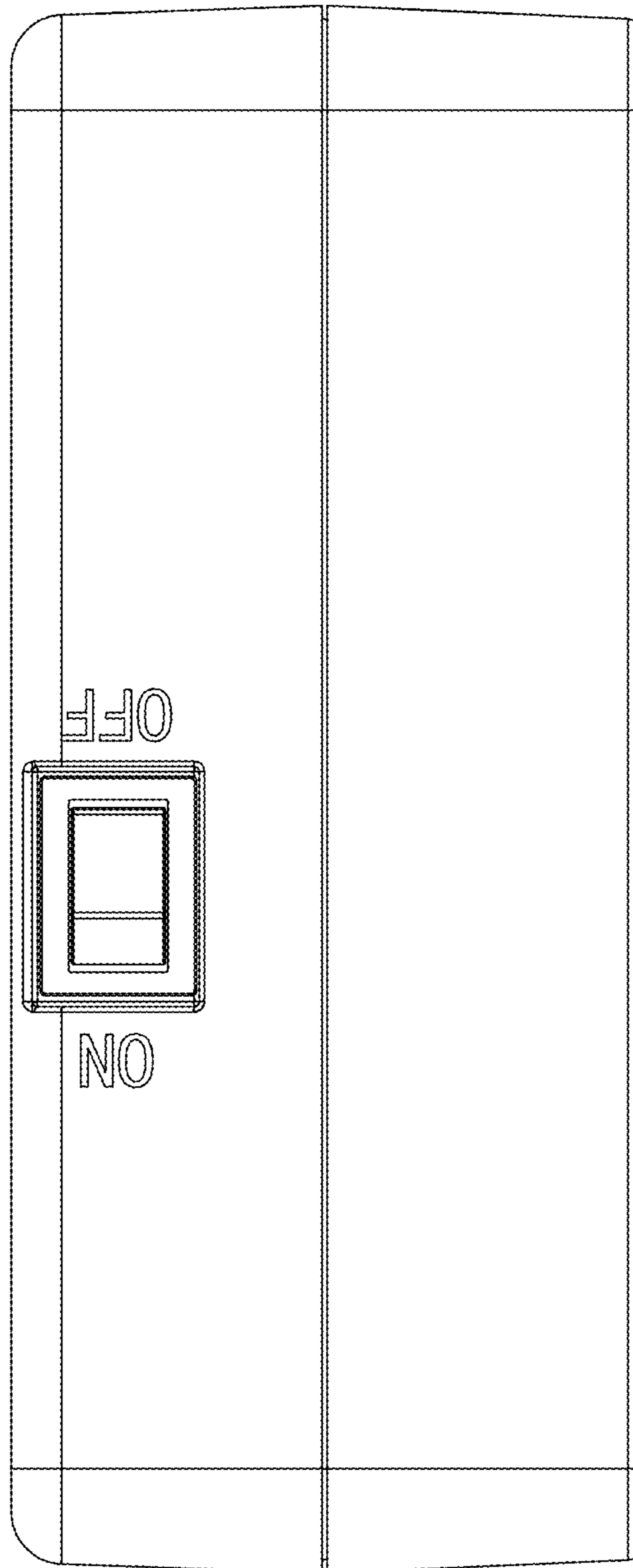


FIG. 2

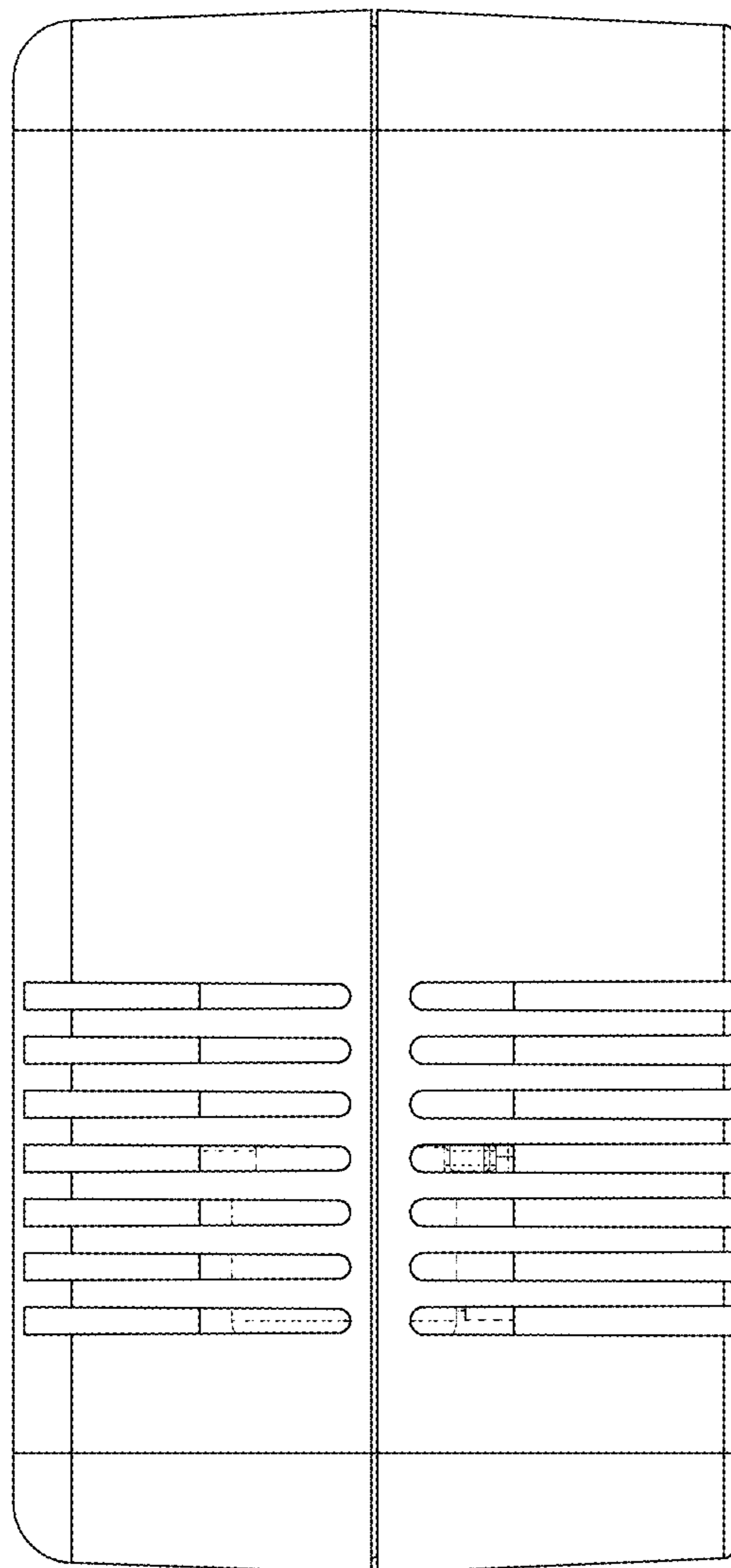


FIG.3

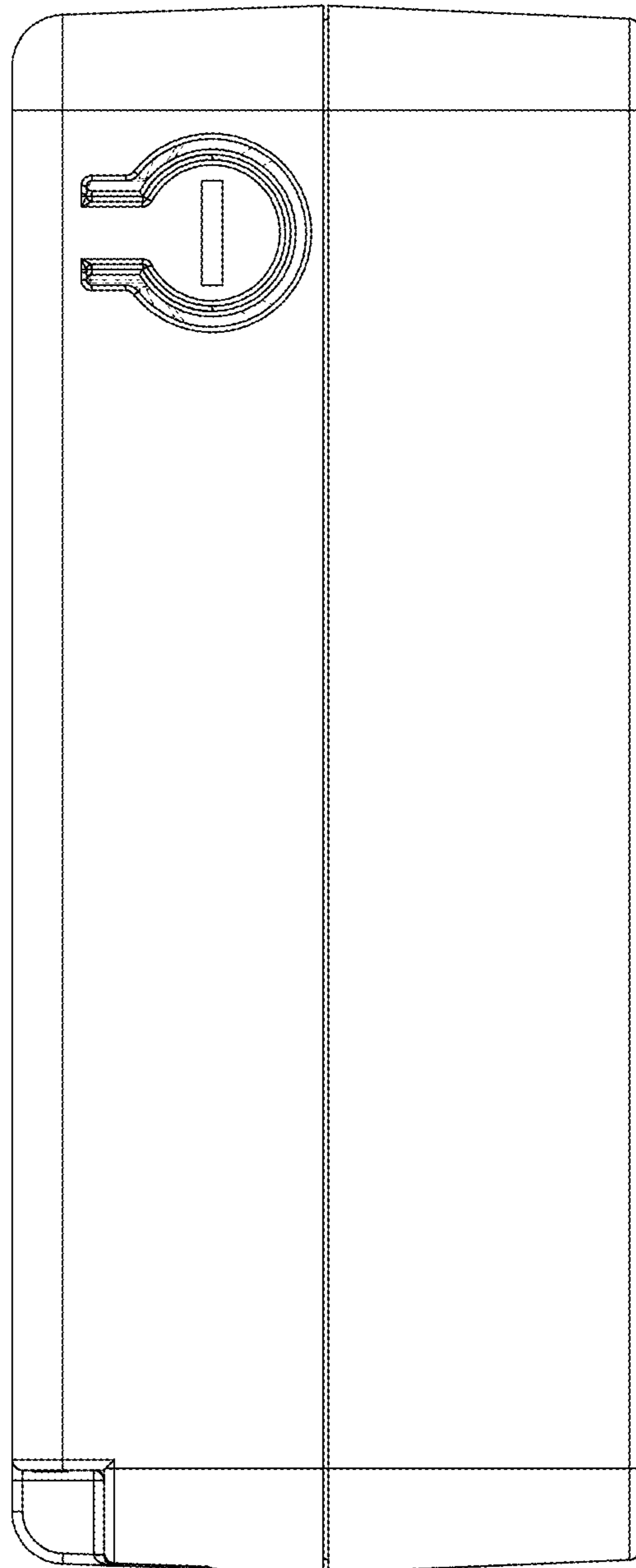


FIG.4

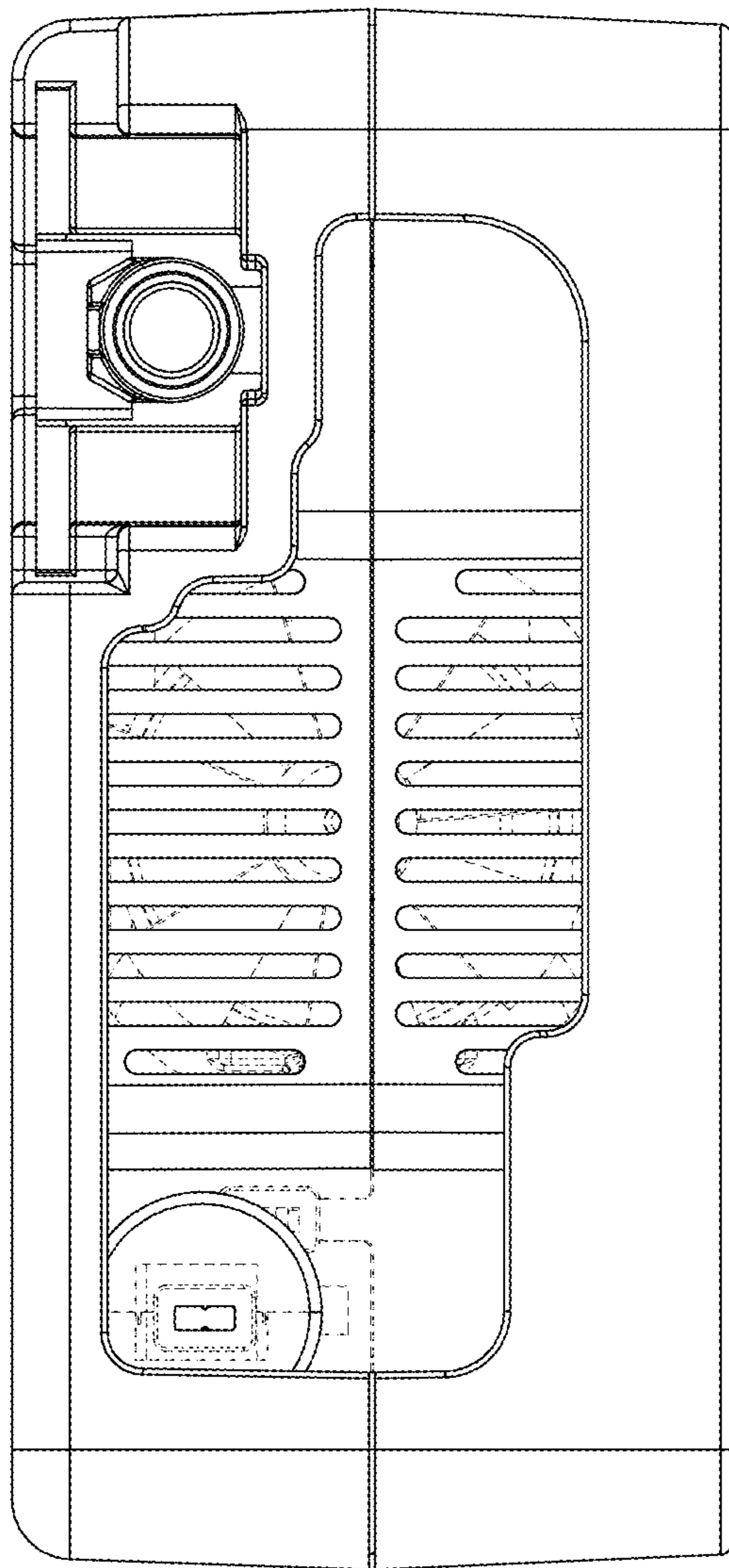


FIG.5

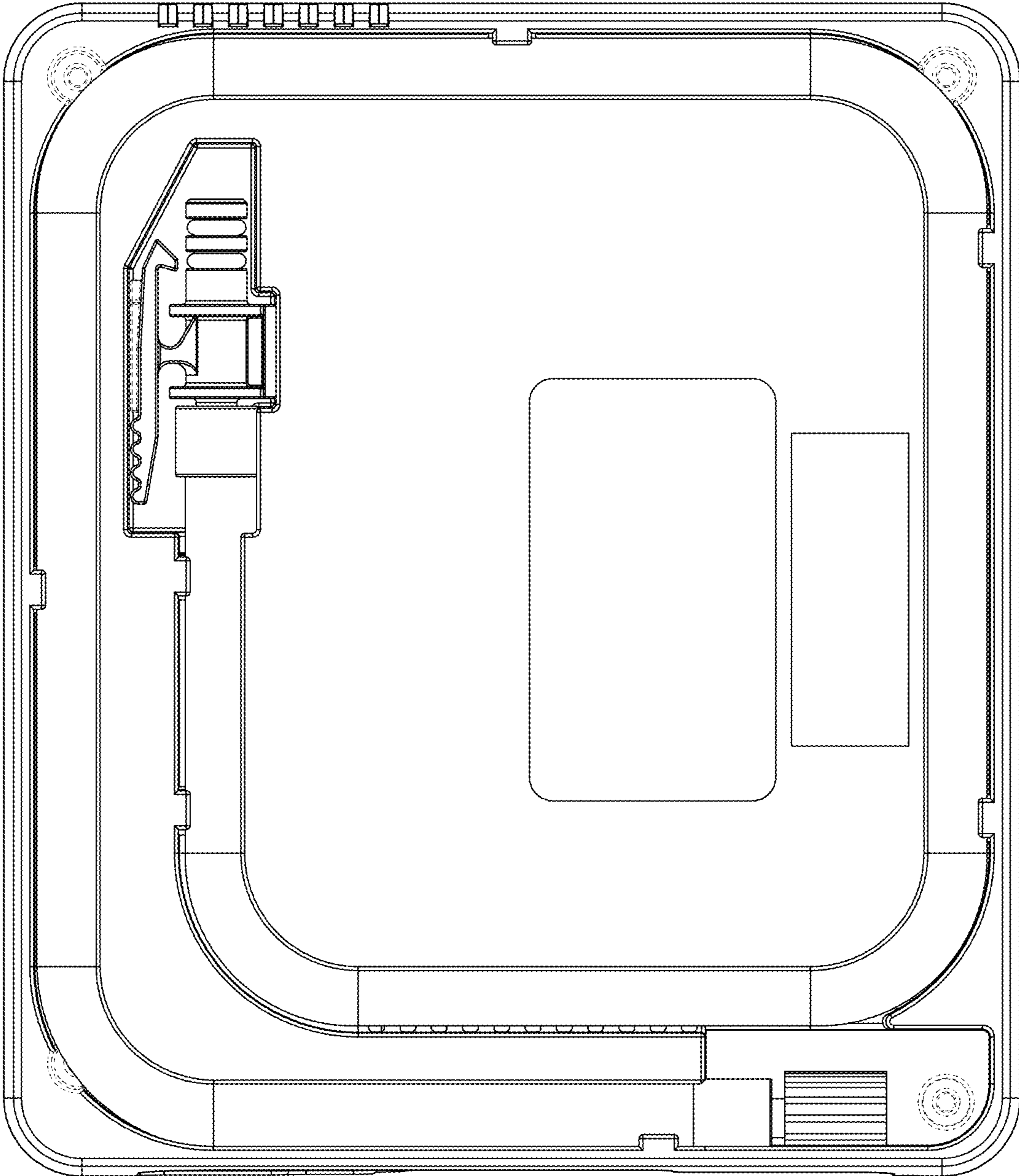


FIG.6

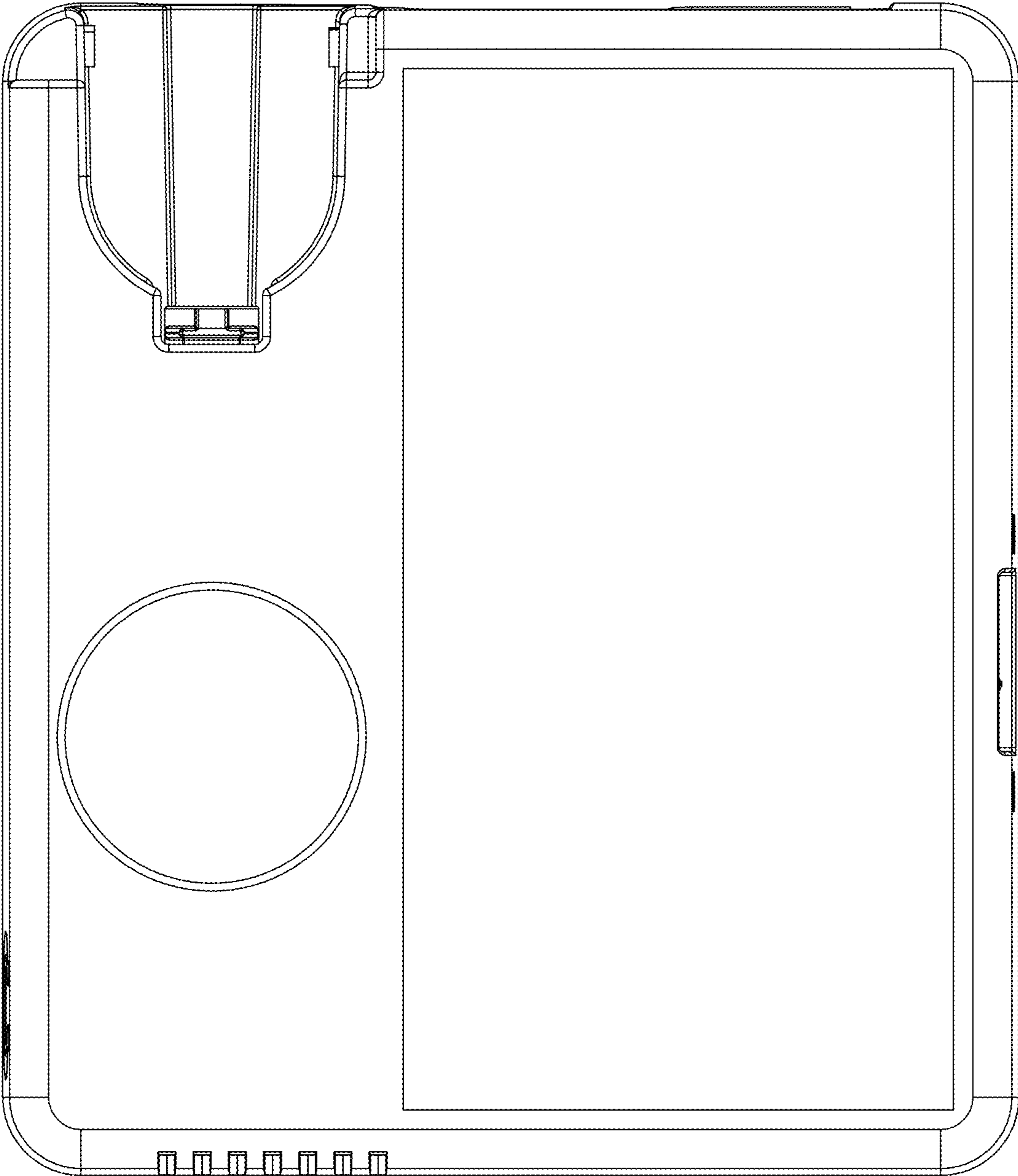


FIG.7

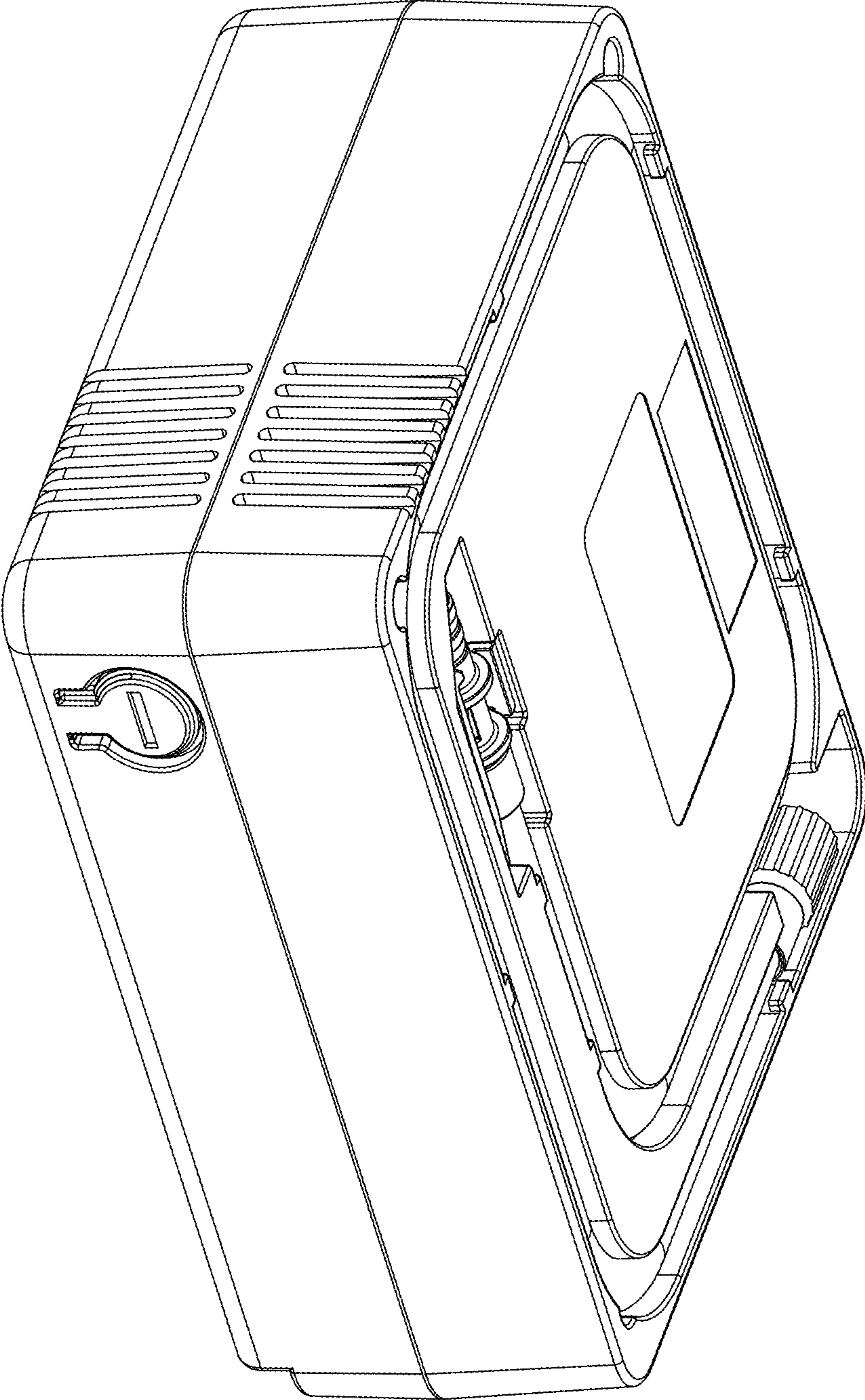


FIG.8

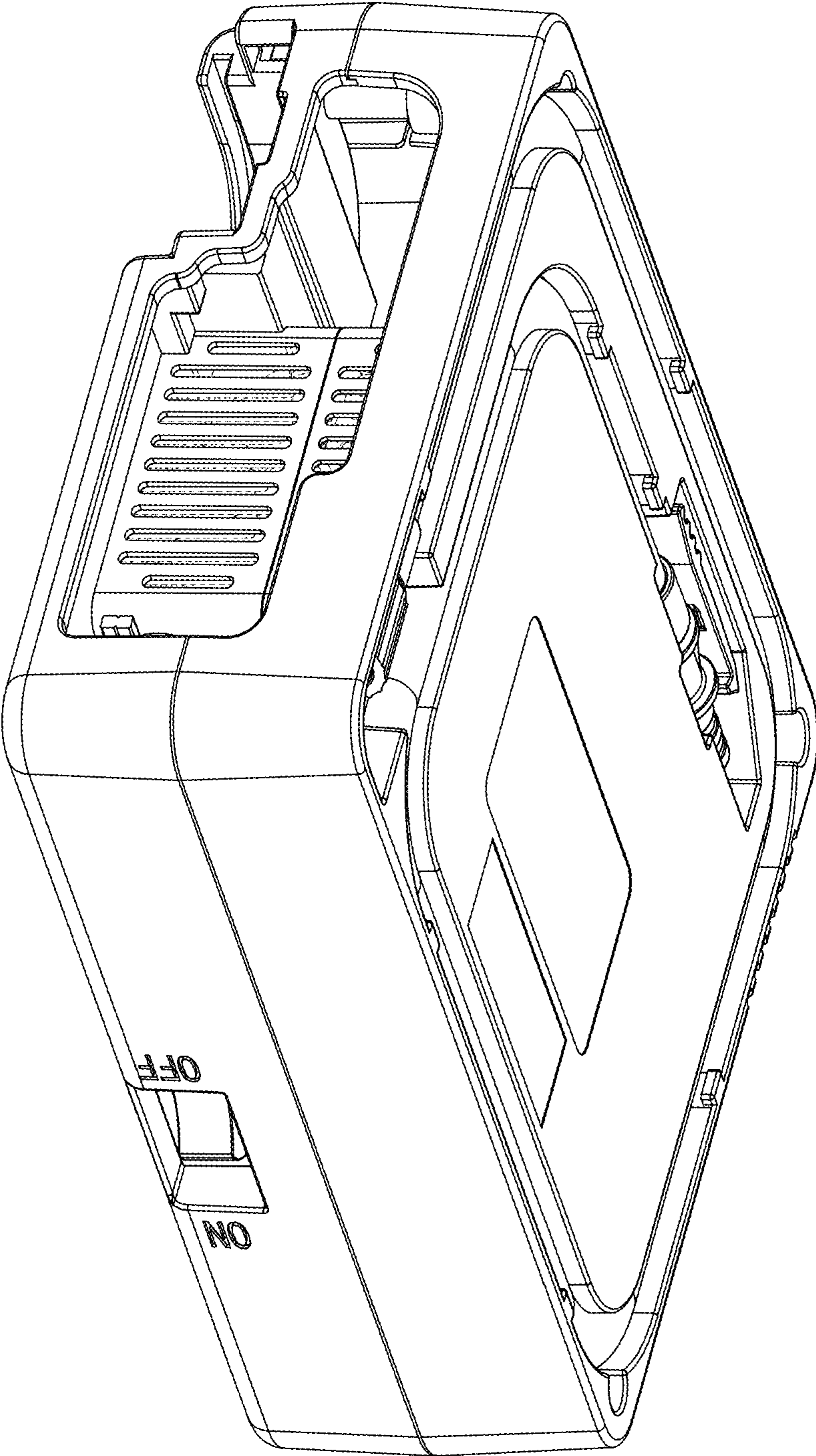


FIG.9