



US00D951999S

(12) **United States Design Patent**  
**Asahara**

(10) **Patent No.:** **US D951,999 S**

(45) **Date of Patent:** **\*\* \*May 17, 2022**

- (54) **FLUID PRESSURE CYLINDER**
- (71) Applicant: **SMC CORPORATION**, Tokyo (JP)
- (72) Inventor: **Hiroyuki Asahara**, Tsukuba (JP)
- (73) Assignee: **SMC CORPORATION**, Tokyo (JP)
- (\*) Notice: This patent is subject to a terminal disclaimer.
- (\*\*) Term: **15 Years**
- (21) Appl. No.: **29/768,244**
- (22) Filed: **Jan. 28, 2021**

- D500,259 S \* 12/2004 Kita ..... D10/85
- D522,090 S \* 5/2006 Matsumoto ..... D23/233
- D542,682 S \* 5/2007 Waki ..... D10/85
- D575,175 S 8/2008 Suzuki
- D638,730 S \* 5/2011 Ishibashi ..... D10/85
- D644,665 S \* 9/2011 Ishibashi ..... D15/5
- D669,097 S \* 10/2012 Hariwara ..... D15/7
- D669,098 S \* 10/2012 Hariwara ..... D15/7
- D757,120 S \* 5/2016 Kudo ..... D15/7
- D760,805 S \* 7/2016 Monden ..... D15/7
- D770,595 S 11/2016 Suzuki et al.
- D772,302 S \* 11/2016 Kudo ..... D15/7
- D780,228 S \* 2/2017 Kudo ..... D15/7
- D780,229 S \* 2/2017 Kudo ..... D15/7
- D805,559 S \* 12/2017 Kudo ..... D15/7
- D805,560 S \* 12/2017 Kudo ..... D15/7
- D819,700 S \* 6/2018 Kudo ..... D15/7
- D820,321 S \* 6/2018 Kudo ..... D15/7
- D871,457 S \* 12/2019 Ikari ..... D15/7

(Continued)

- (30) **Foreign Application Priority Data**
- Jul. 31, 2020 (JP) ..... 2020-015967 D
- (51) **LOC (13) Cl.** ..... **15-02**
- (52) **U.S. Cl.**
- USPC ..... **D15/7; D15/148**
- (58) **Field of Classification Search**
- USPC ..... D10/85; D15/5, 7, 8, 9, 143, 148, 149, D15/199; D23/233, 235
- CPC .. F15B 15/149; F15B 15/222; F15B 15/1428; F15B 15/1438; F15B 15/1447; F15B 15/1457; F15B 15/1461; F15B 15/2861; F16J 10/02; F16J 10/12
- See application file for complete search history.

*Primary Examiner* — Patricia A Palasik  
 (74) *Attorney, Agent, or Firm* — Birch, Stewart, Kolasch & Birch, LLP

(57) **CLAIM**

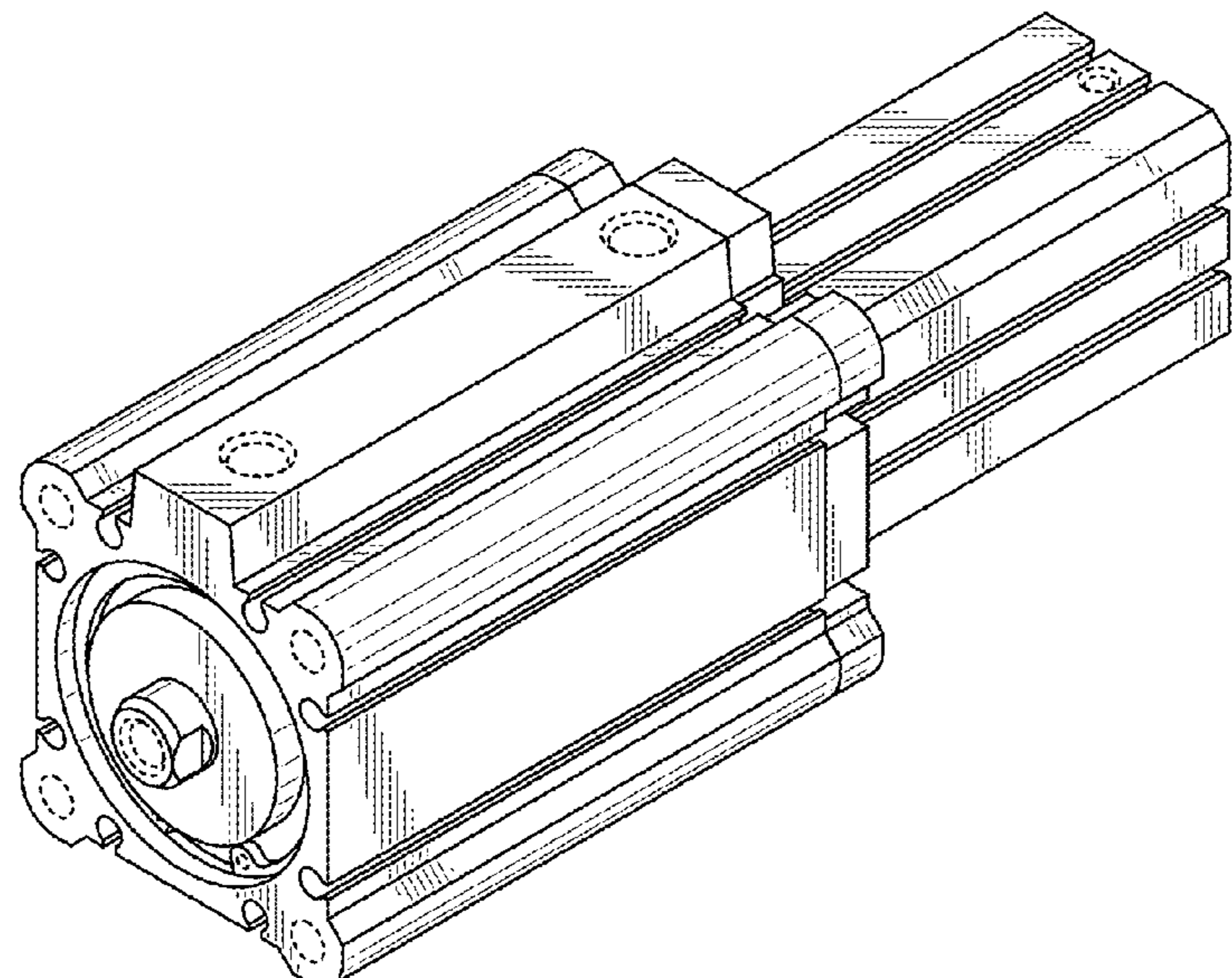
The ornamental design for a fluid pressure cylinder, as shown and described.

**DESCRIPTION**

FIG. 1 is a front, top and left side perspective view of a fluid pressure cylinder showing my new design;  
 FIG. 2 is a front, top and right side perspective view thereof;  
 FIG. 3 is a front view thereof;  
 FIG. 4 is a rear view thereof;  
 FIG. 5 is a top plan view thereof;  
 FIG. 6 is a bottom plan view thereof;  
 FIG. 7 is a left side view thereof; and,  
 FIG. 8 is a right side view thereof.  
 The broken lines depict portions of the fluid pressure cylinder that form no part of the claimed design.

- (56) **References Cited**
- U.S. PATENT DOCUMENTS
- D281,168 S \* 10/1985 Scholl ..... D15/144
- D329,434 S \* 9/1992 Toyoda ..... D15/5
- D417,457 S \* 12/1999 Asahara ..... D15/7
- D420,683 S \* 2/2000 Suzuki ..... D15/7
- D445,704 S \* 7/2001 Suzuki ..... D10/85
- D499,348 S 12/2004 Matsumoto et al.
- D500,258 S \* 12/2004 Kita ..... D10/85

**1 Claim, 8 Drawing Sheets**



(56)

**References Cited**

U.S. PATENT DOCUMENTS

D888,772 S *	6/2020	Sato .....	D15/7
D888,773 S *	6/2020	Sato .....	D15/7
D888,774 S	6/2020	Asahara	
D888,775 S *	6/2020	Sato .....	D15/7
D890,213 S *	7/2020	Sato .....	D15/7
D890,214 S *	7/2020	Sato .....	D15/7
D890,215 S *	7/2020	Sato .....	D15/7
D899,466 S *	10/2020	Nemoto .....	D15/7
D900,165 S *	10/2020	Nemoto .....	D15/7
D900,166 S *	10/2020	Nemoto .....	D15/7
D900,879 S *	11/2020	Nemoto .....	D15/7
D900,880 S *	11/2020	Nemoto .....	D15/7

\* cited by examiner

FIG. 1

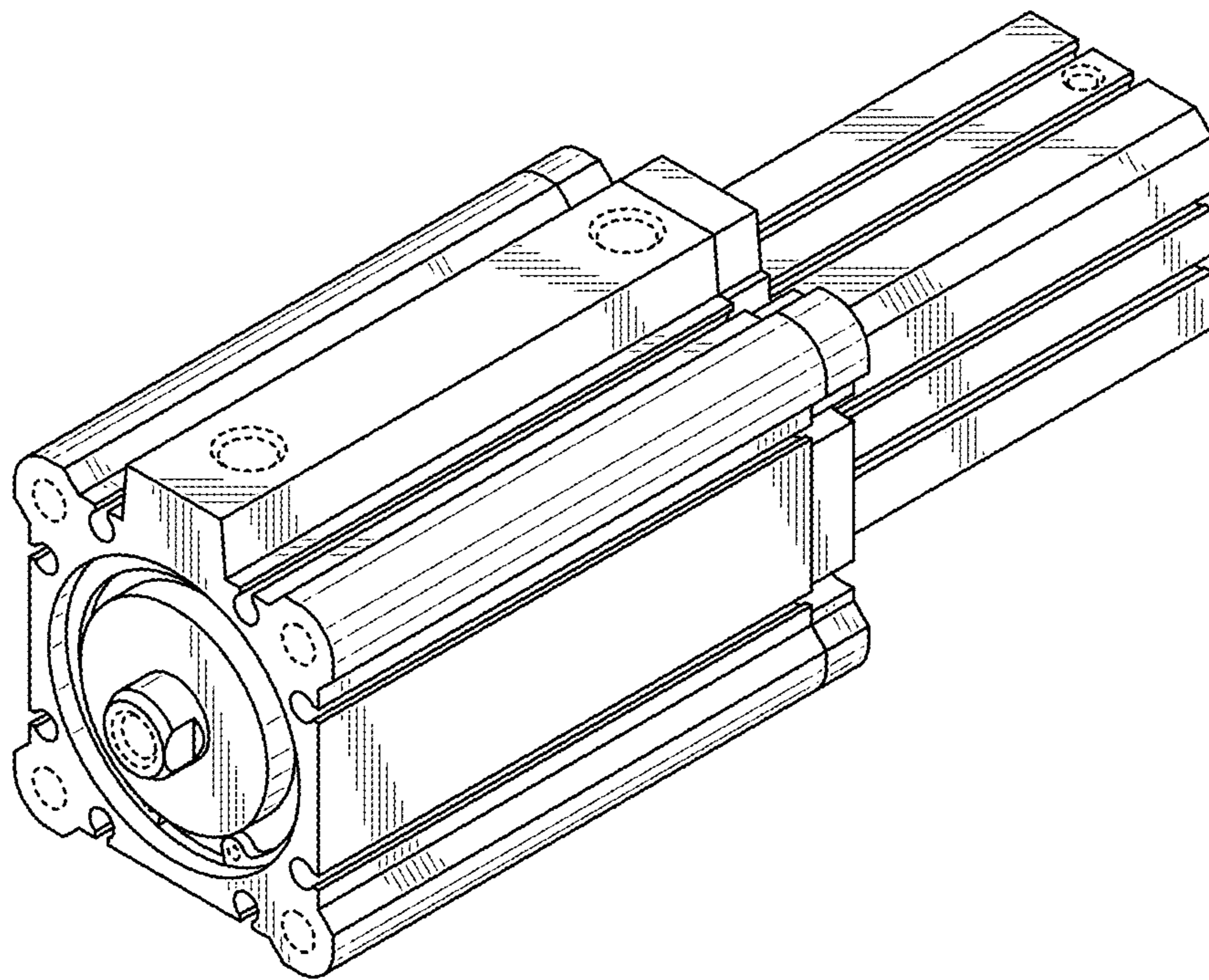


FIG. 2

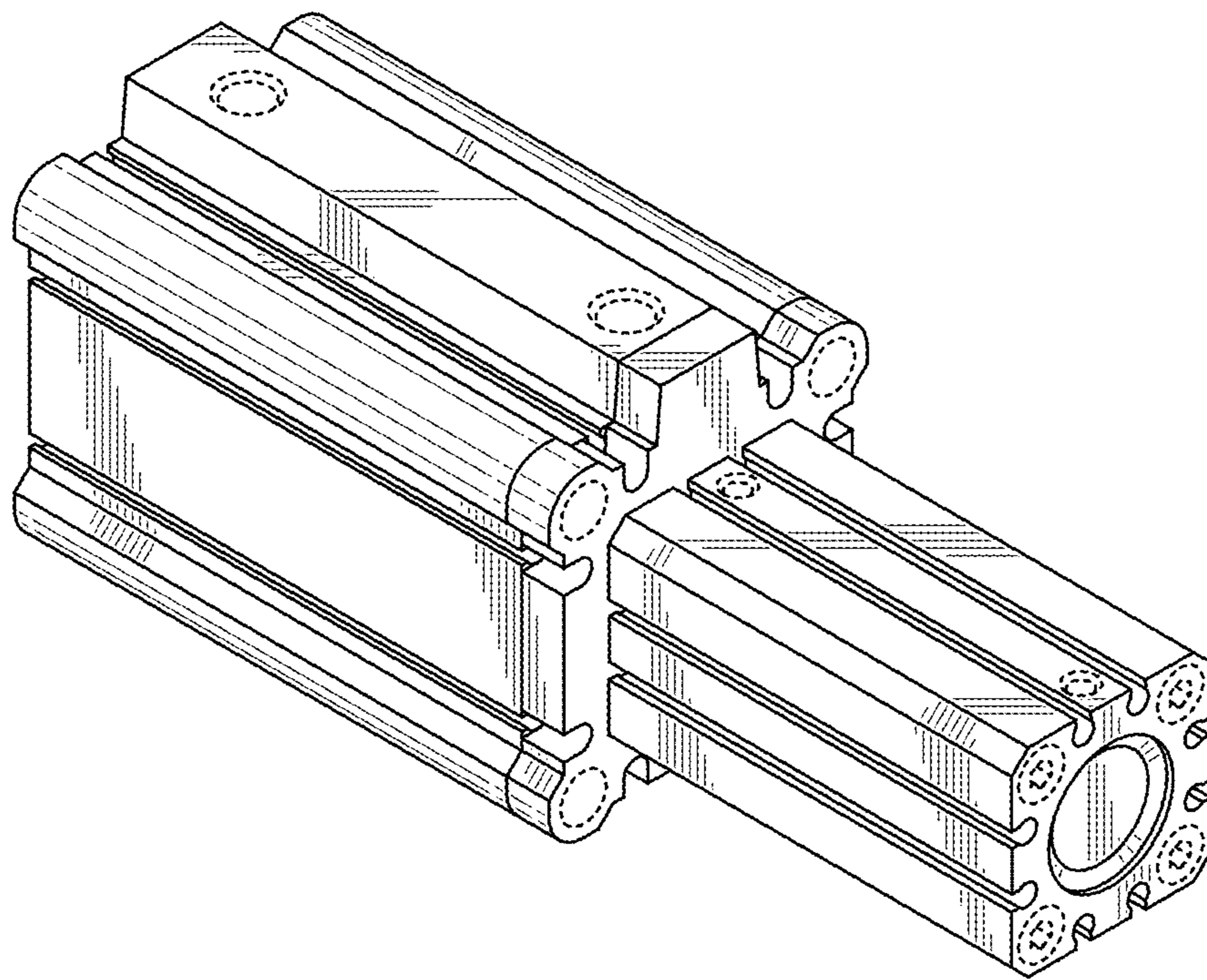


FIG. 3

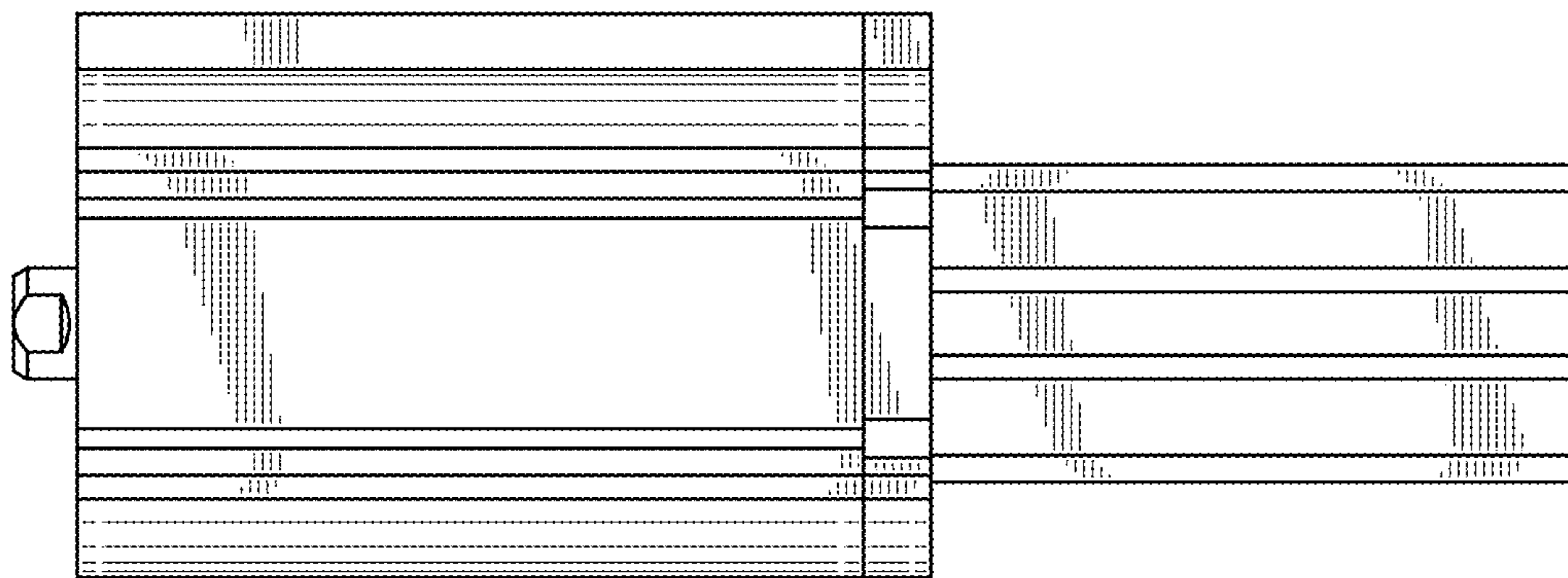


FIG. 4

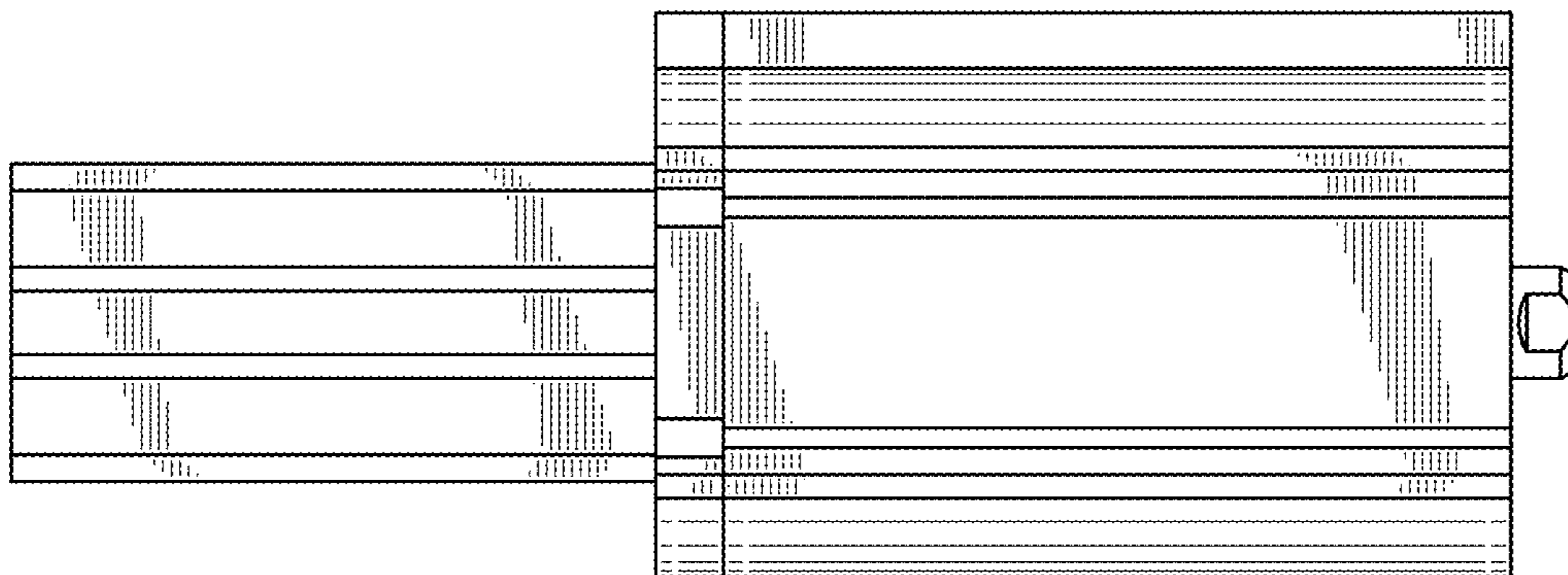


FIG. 5

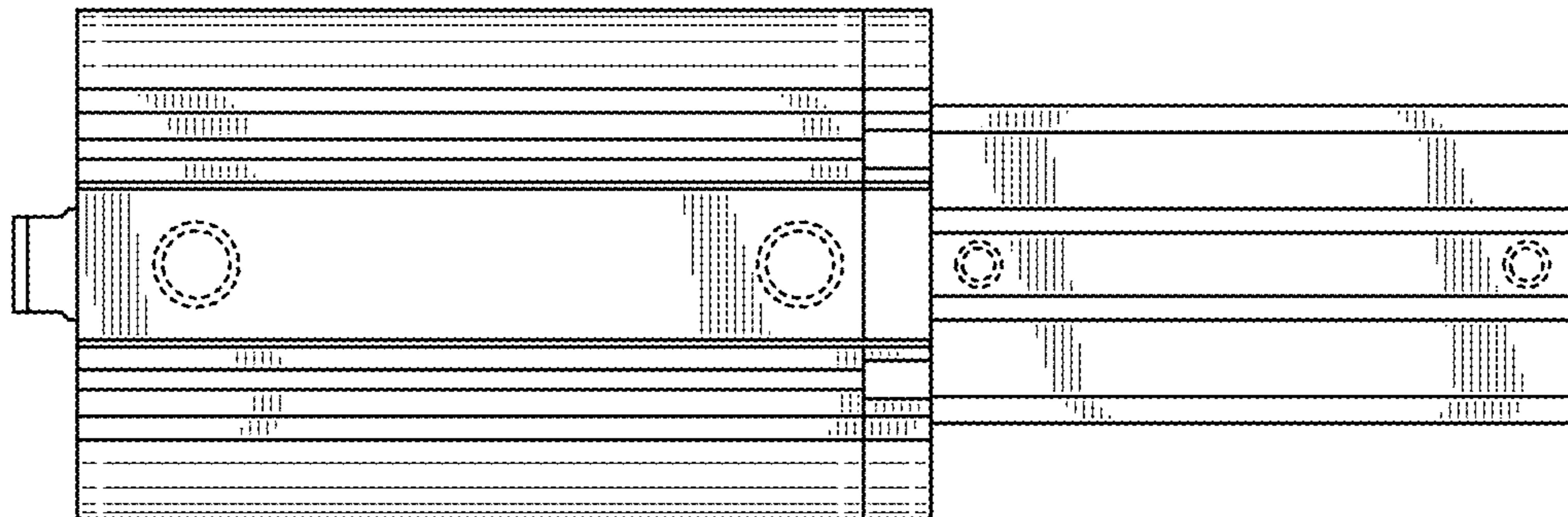


FIG. 6

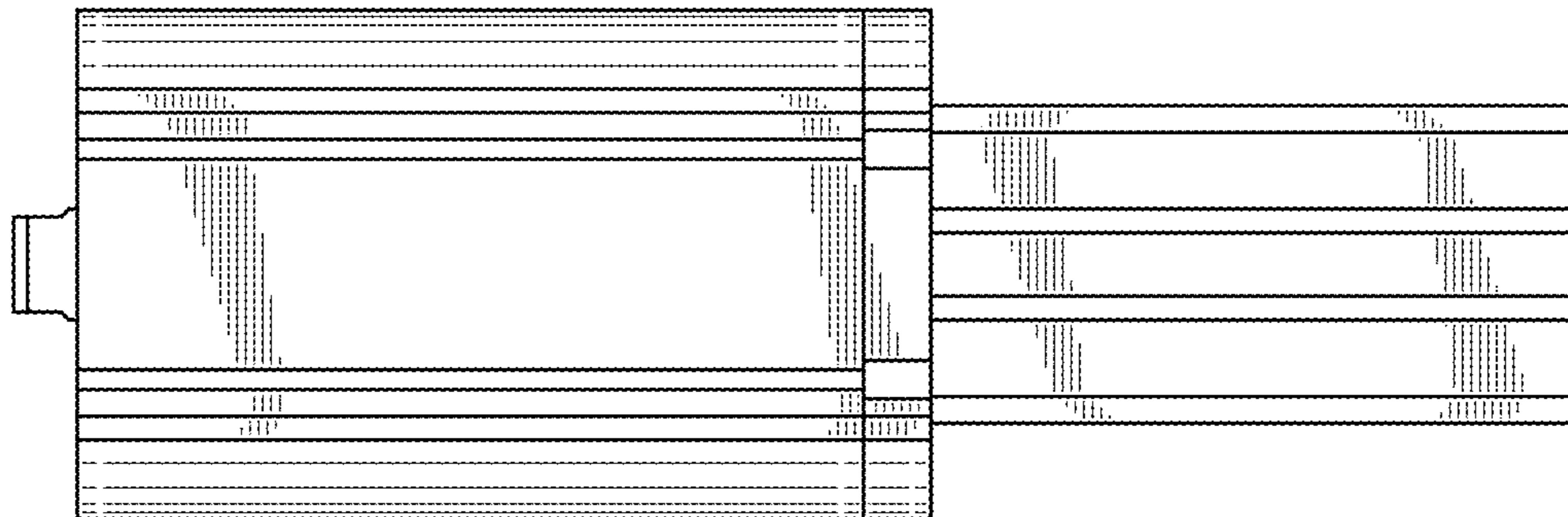




FIG. 7

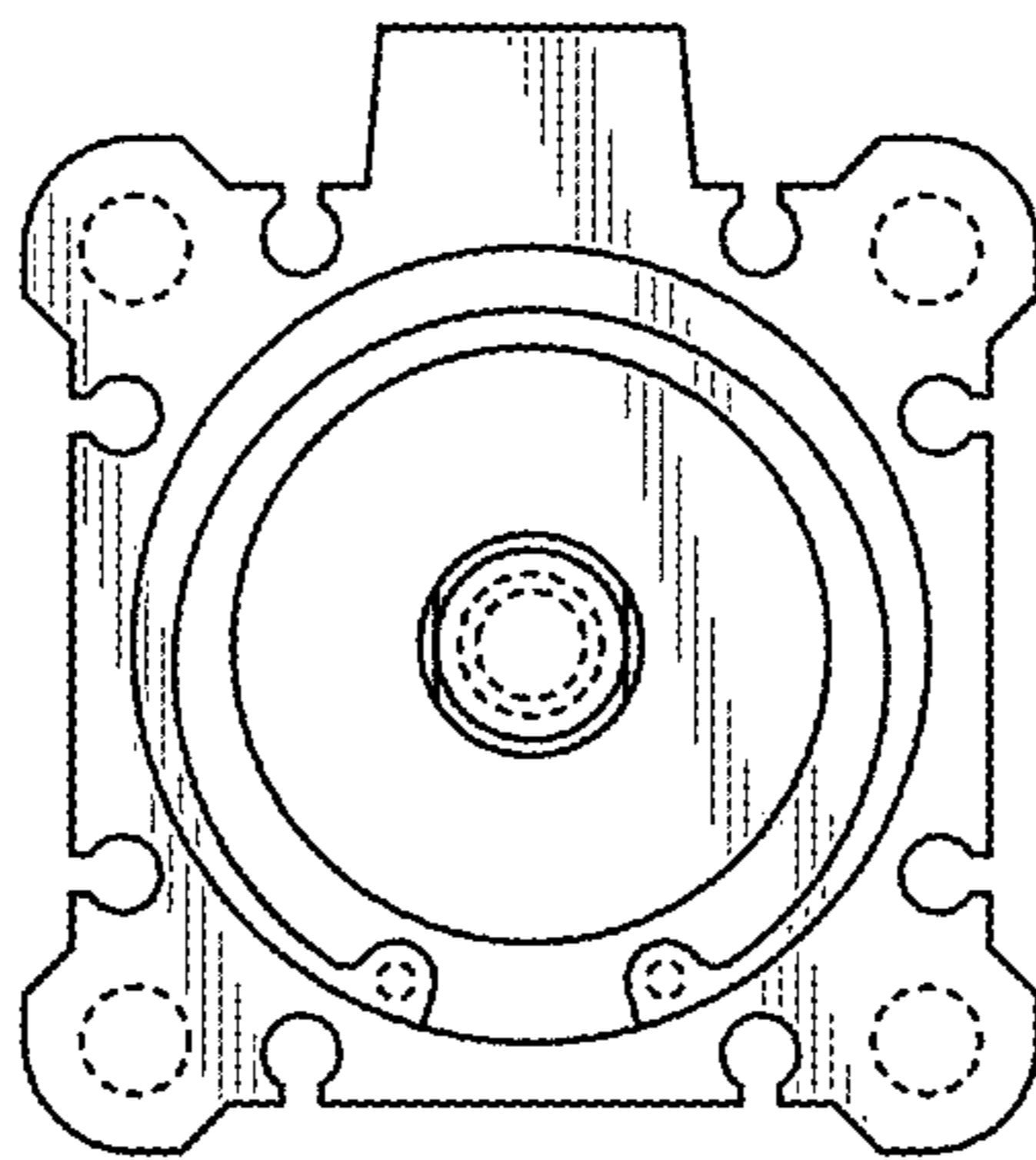


FIG. 8

