



US00D951991S

(12) **United States Design Patent** (10) **Patent No.:** **US D951,991 S**
Imaishi et al. (45) **Date of Patent:** **** May 17, 2022**

(54) **DISPLAY SCREEN OR PORTION THEREOF WITH ANIMATED GRAPHICAL USER INTERFACE**

(71) Applicant: **Mitsubishi Electric Corporation,**
Tokyo (JP)

(72) Inventors: **Akiko Imaishi,** Tokyo (JP); **Shinsaku Fukutaka,** Tokyo (JP); **Munetaka Nishihira,** Tokyo (JP); **Tsuyoshi Sempuku,** Tokyo (JP); **Shuhei Suzuki,** Tokyo (JP); **Misato Yuasa,** Tokyo (JP)

(73) Assignee: **Mitsubishi Electric Corporation,**
Tokyo (JP)

(**) Term: **15 Years**

(21) Appl. No.: **29/753,711**

(22) Filed: **Oct. 1, 2020**

(30) **Foreign Application Priority Data**

Apr. 1, 2020 (JP) 2020006397 D

(51) **LOC (13) Cl.** **14-04**

(52) **U.S. Cl.**
USPC **D14/488; D14/491**

(58) **Field of Classification Search**
USPC D14/485-95

(Continued)

(56) **References Cited**

U.S. PATENT DOCUMENTS

D492,696 S * 7/2004 Minagawa D14/491
D494,983 S * 8/2004 Peter D14/491

(Continued)

OTHER PUBLICATIONS

Elaborate Matplotlib animations—Hughes, <https://brushingupscience.com/2019/08/01/elaborate-matplotlib-animations/> (Year: 2019).*

(Continued)

Primary Examiner — Melanie H Tung
Assistant Examiner — Darmawan Truong
(74) *Attorney, Agent, or Firm* — Studebaker & Brackett PC

(57) **CLAIM**

The ornamental design for a display screen or portion thereof with animated graphical user interface, as shown and described.

DESCRIPTION

FIG. 1. is a first image of a display screen or portion thereof with animated graphical user interface showing our new design;

FIG. 2. is a second image thereof;

FIG. 3. is a third image thereof;

FIG. 4. is a fourth image thereof;

FIG. 5. is a fifth image thereof;

FIG. 6. is a sixth image thereof;

FIG. 7. is a seventh image thereof;

FIG. 8. is an eighth image thereof;

FIG. 9. is a ninth image thereof;

FIG. 10. is a tenth image thereof; and

FIG. 11 is a first image of a second embodiment of a display screen or portion thereof with animated graphical user interface showing our new design;

FIG. 12 is a second image thereof;

FIG. 13 is a third image thereof;

FIG. 14 is a fourth image thereof;

FIG. 15 is a fifth image thereof;

FIG. 16 is a sixth image thereof;

FIG. 17 is a seventh image thereof;

FIG. 18 is an eighth image thereof;

FIG. 19 is a ninth image thereof; and,

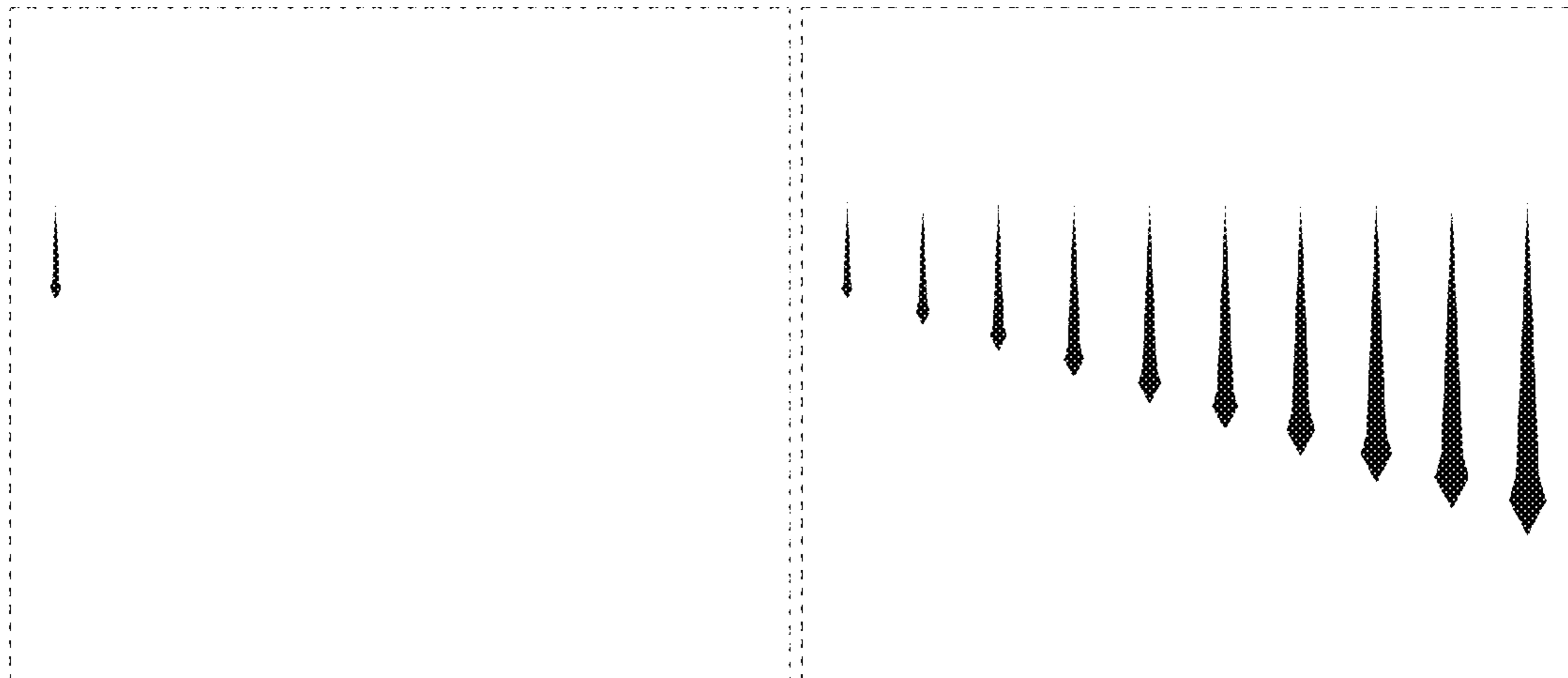
FIG. 20 is a tenth image thereof.

The appearance of the animated image sequentially transitions between the images shown in FIGS. 1-10 and 11-20.

The process or period in which one image transitions to another image forms no part of the claimed design.

The broken lines illustrate a display screen or portion thereof and forms no part of the claimed design. The remaining

(Continued)



broken lines showing portions of the animated graphical user interface form no part of the claimed design.

1 Claim, 20 Drawing Sheets

(58) **Field of Classification Search**

CPC G06F 3/048; G06F 3/0481; G06F 3/04812; G06F 3/04815; G06F 3/04817; G06F 3/0482; G06F 3/0483; G06F 3/0484; G06F 3/04842; G06F 3/04845; G06F 3/04847; G06F 3/0485; G06F 3/0486; G06F 3/0487; G06F 3/0488; G06F 3/04883; G06F 3/04886

See application file for complete search history.

(56) **References Cited**

U.S. PATENT DOCUMENTS

D495,338 S * 8/2004 Peter D14/486
 D496,667 S * 9/2004 Hoglund D14/489
 D547,322 S * 7/2007 Ivanov D14/489
 D560,680 S * 1/2008 Armendariz D14/491
 D565,588 S * 4/2008 Sherry D14/488
 D582,427 S * 12/2008 Neuhaus D14/491
 D608,789 S * 1/2010 Kaczmarek D14/488
 D611,493 S * 3/2010 Willis D14/491

D615,096 S * 5/2010 Muhlfelder D14/491
 D644,662 S * 9/2011 Gardner D14/495
 D662,513 S * 6/2012 Steele D14/492
 D698,819 S * 2/2014 Gardner D14/491
 D708,638 S * 7/2014 Manzari D14/492
 D731,546 S * 6/2015 Zhou D14/492
 D743,439 S * 11/2015 Torres D14/492
 D760,781 S * 7/2016 Nakamura D14/491
 D761,310 S * 7/2016 Brinda D14/491
 D783,669 S * 4/2017 Rogers D14/488
 D835,662 S * 12/2018 Cho D14/487
 D861,727 S * 10/2019 Niven D14/492
 D868,106 S * 11/2019 Imaishi D14/491
 D905,748 S * 12/2020 Imaishi D14/491
 2002/0180797 A1 * 12/2002 Bachmann G06F 3/04886
 715/780
 2004/0095369 A1 * 5/2004 Takeuchi G06F 3/0338
 715/701
 2017/0259734 A1 * 9/2017 Imaishi B60Q 1/525
 2017/0267167 A1 * 9/2017 Sakata B60Q 1/38
 2019/0023281 A1 * 1/2019 Fukutaka B60W 40/04

OTHER PUBLICATIONS

English Speaking Course Lesson 1 Day 4—Kumar, <https://www.aapkadictionary.com/english-speaking-course-lesson-1-day-4/> (Year: 2018).
 Up arrow icon design vector—Alamy, <https://www.alamy.com/up-arrow-icon-design-vector-image223021709.html> (Year: 2018).*

* cited by examiner

FIG. 1



FIG. 2

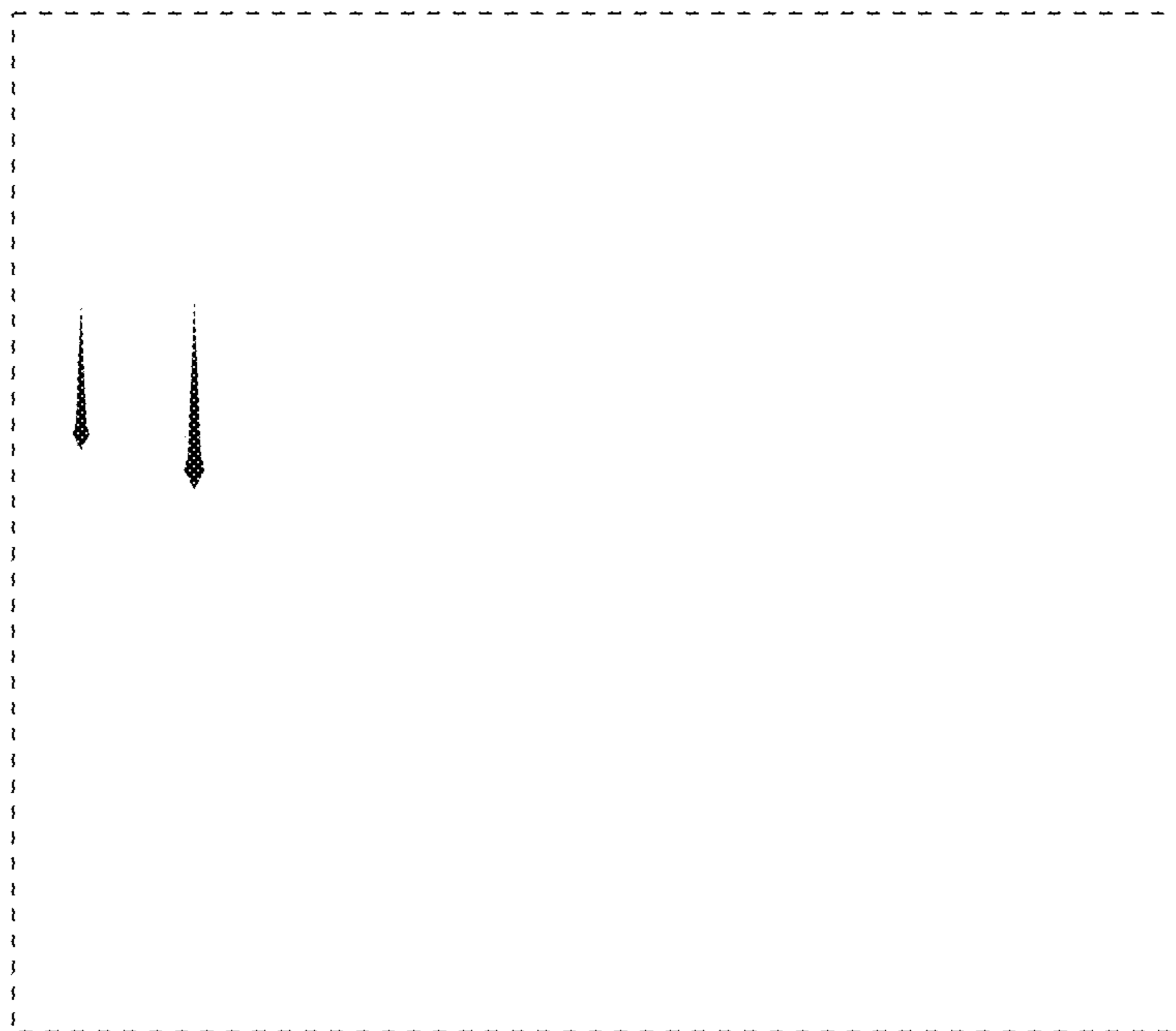


FIG. 3



FIG. 4

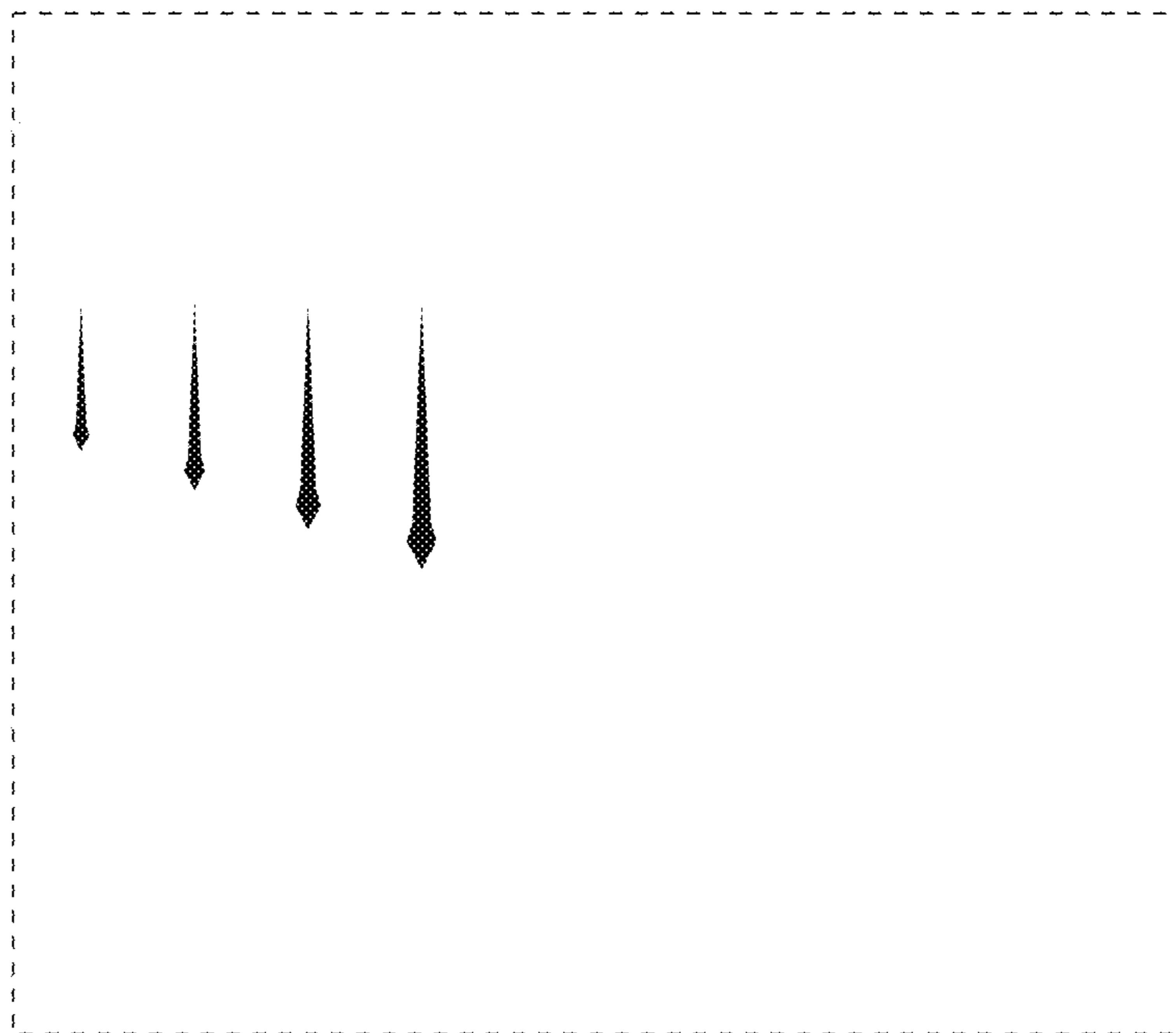


FIG. 5

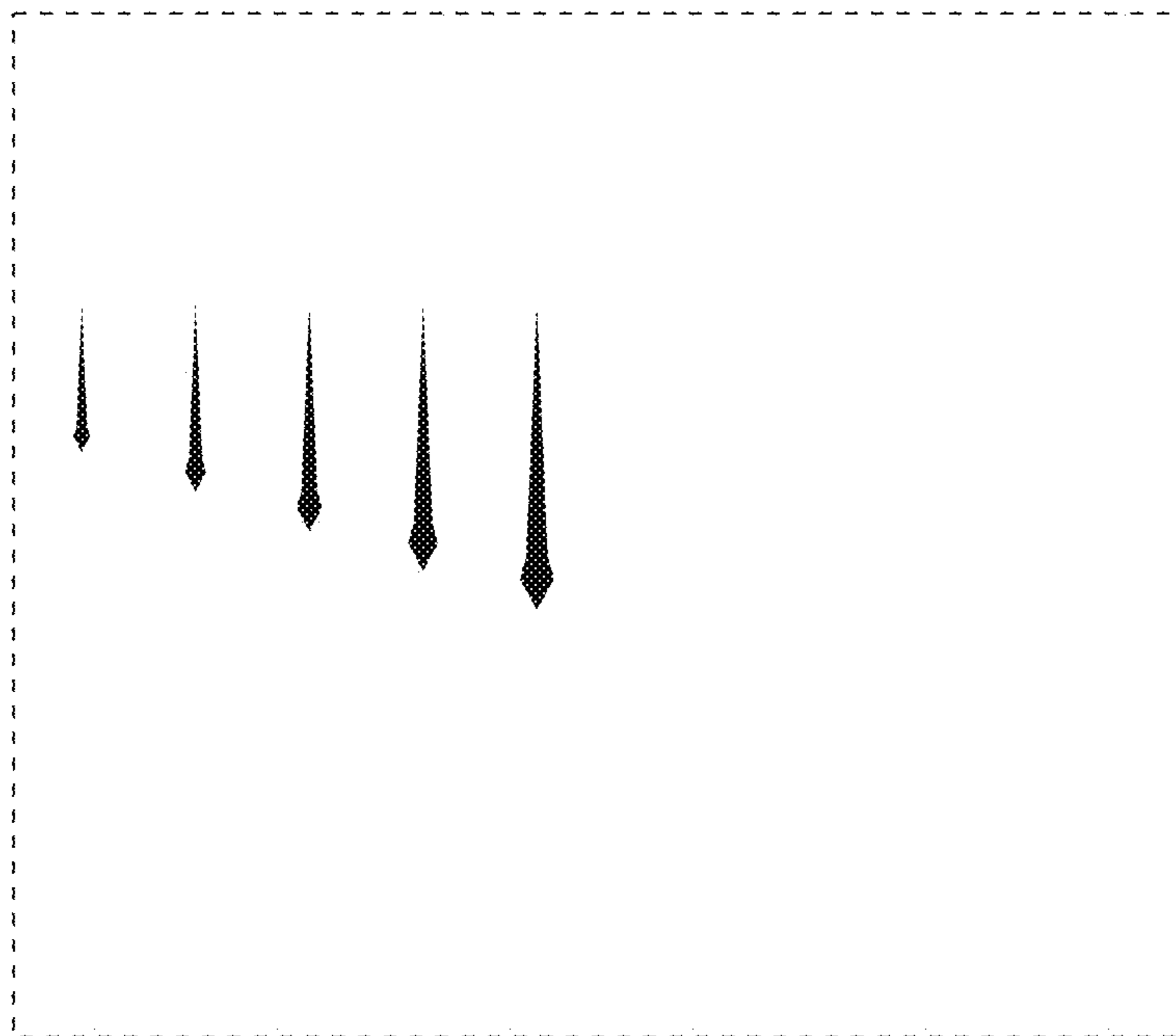


FIG. 6

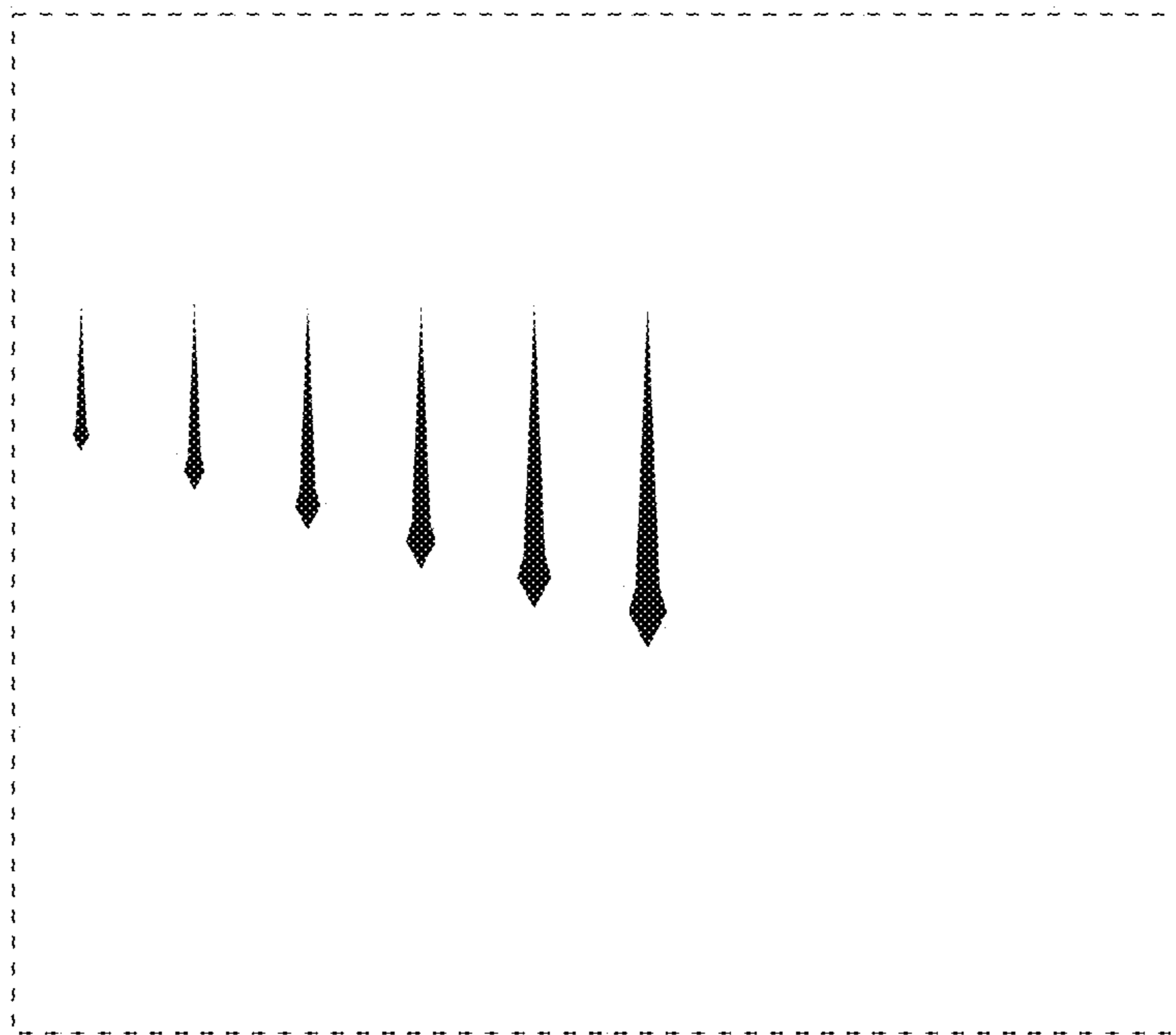


FIG. 7

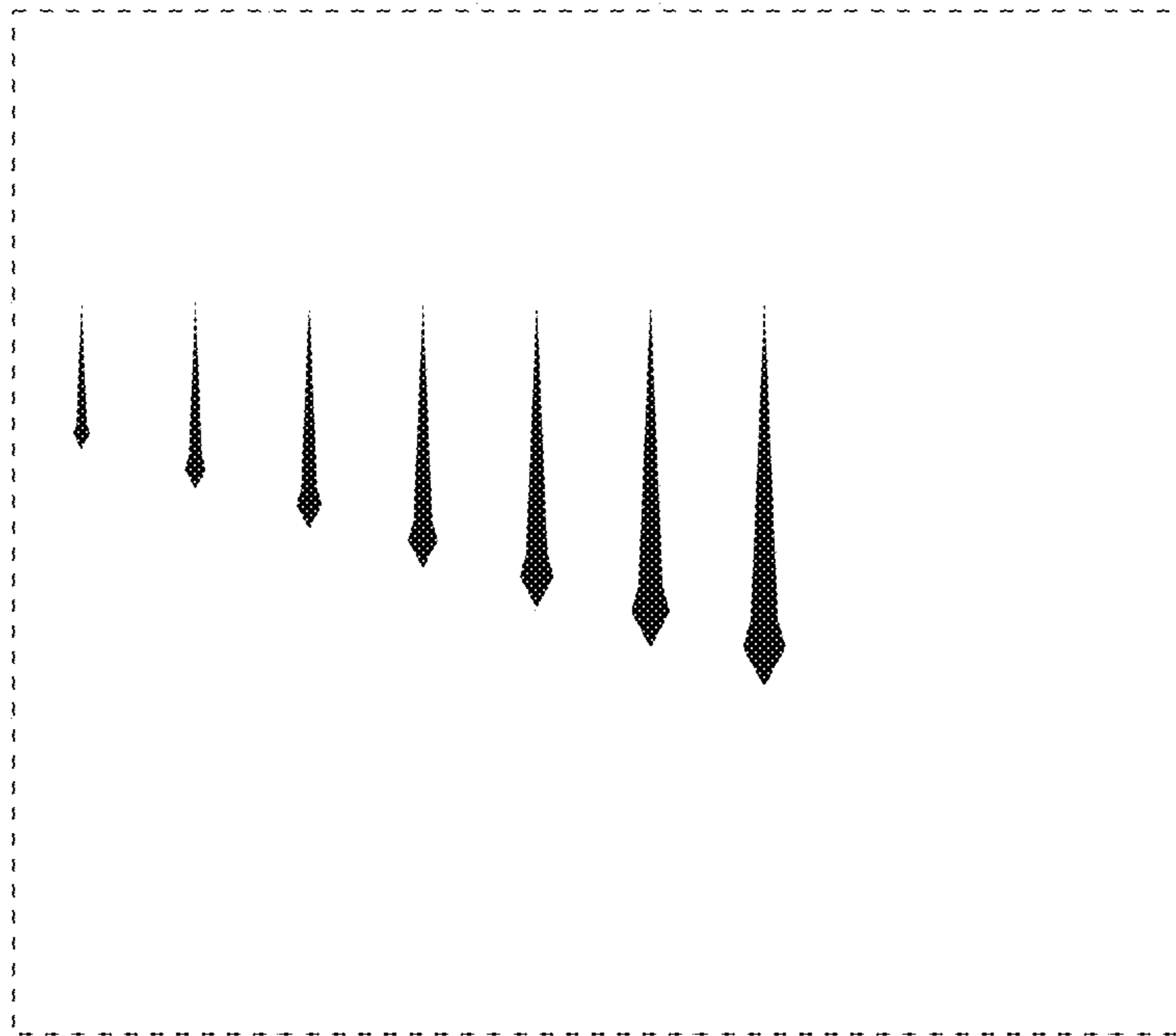


FIG. 8

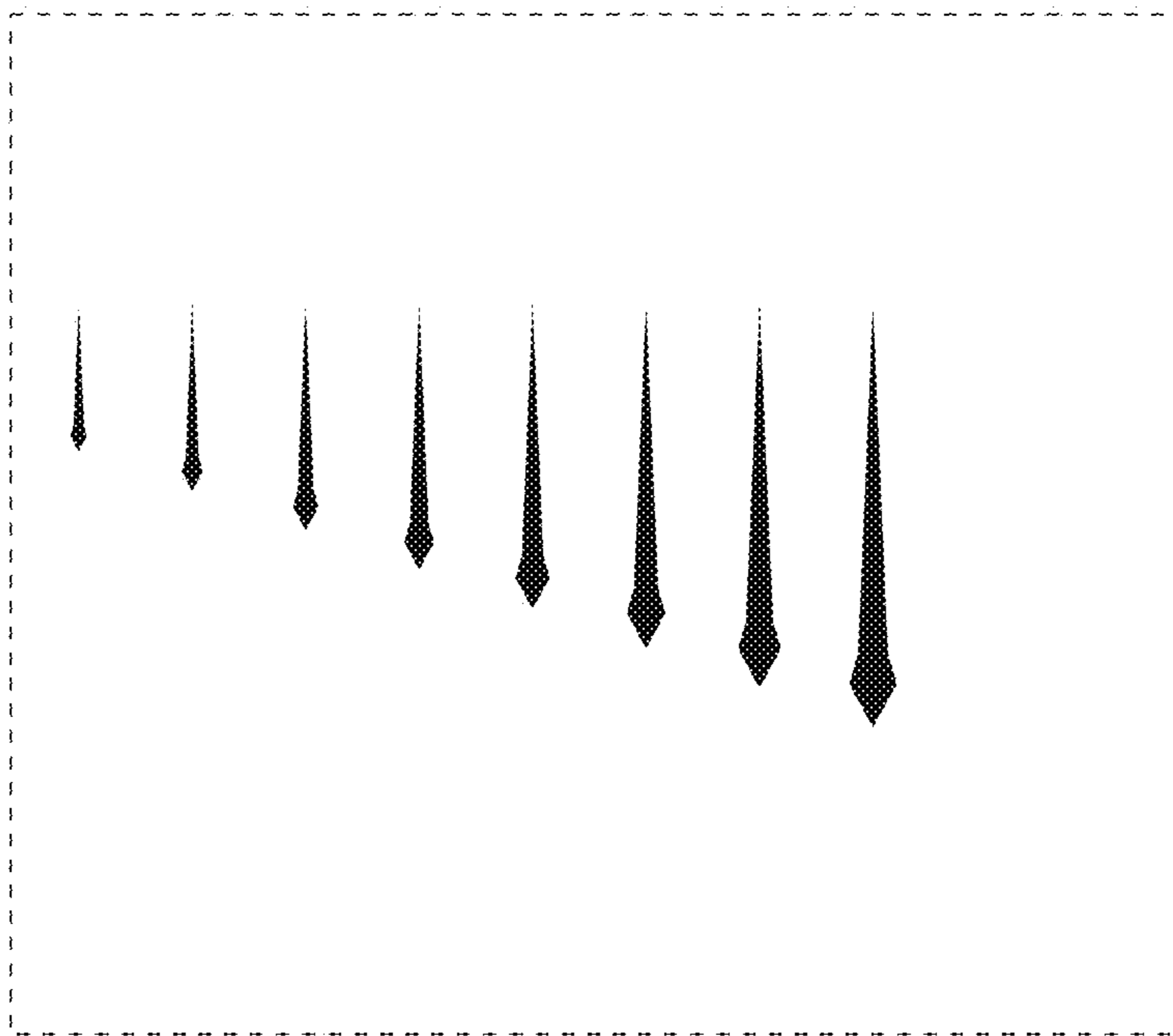


FIG. 9

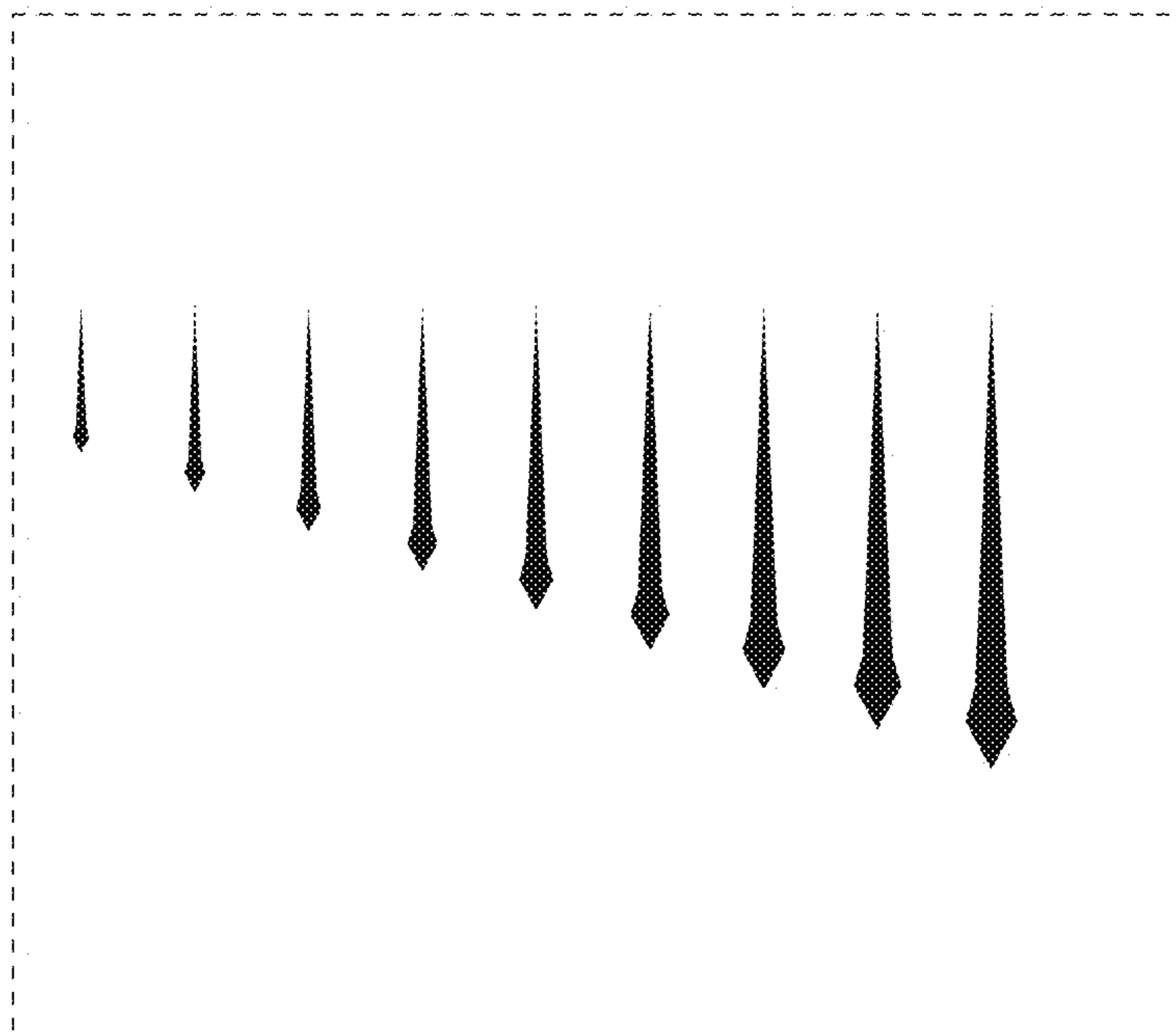


FIG. 10

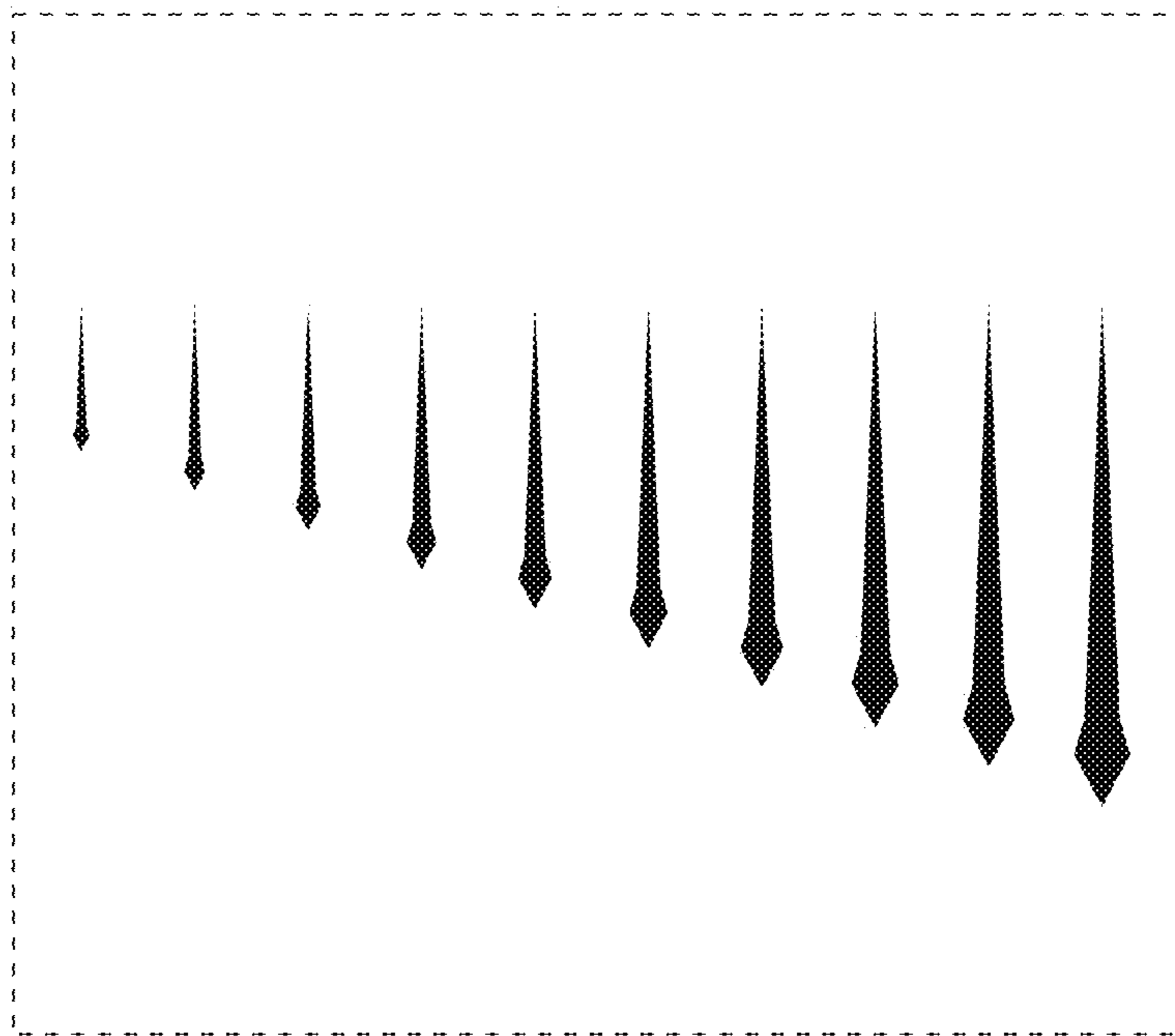


FIG. 11

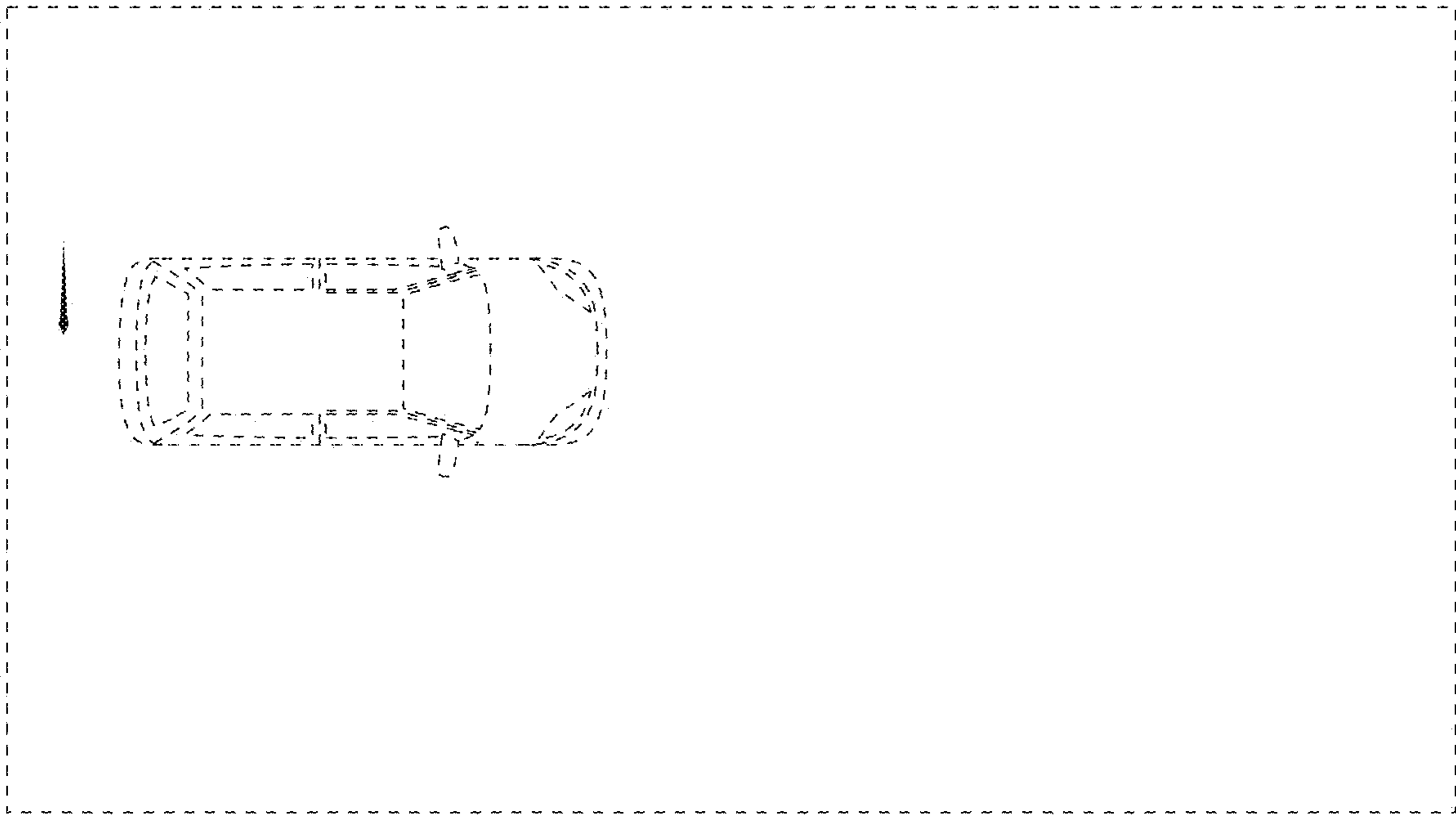


FIG. 12

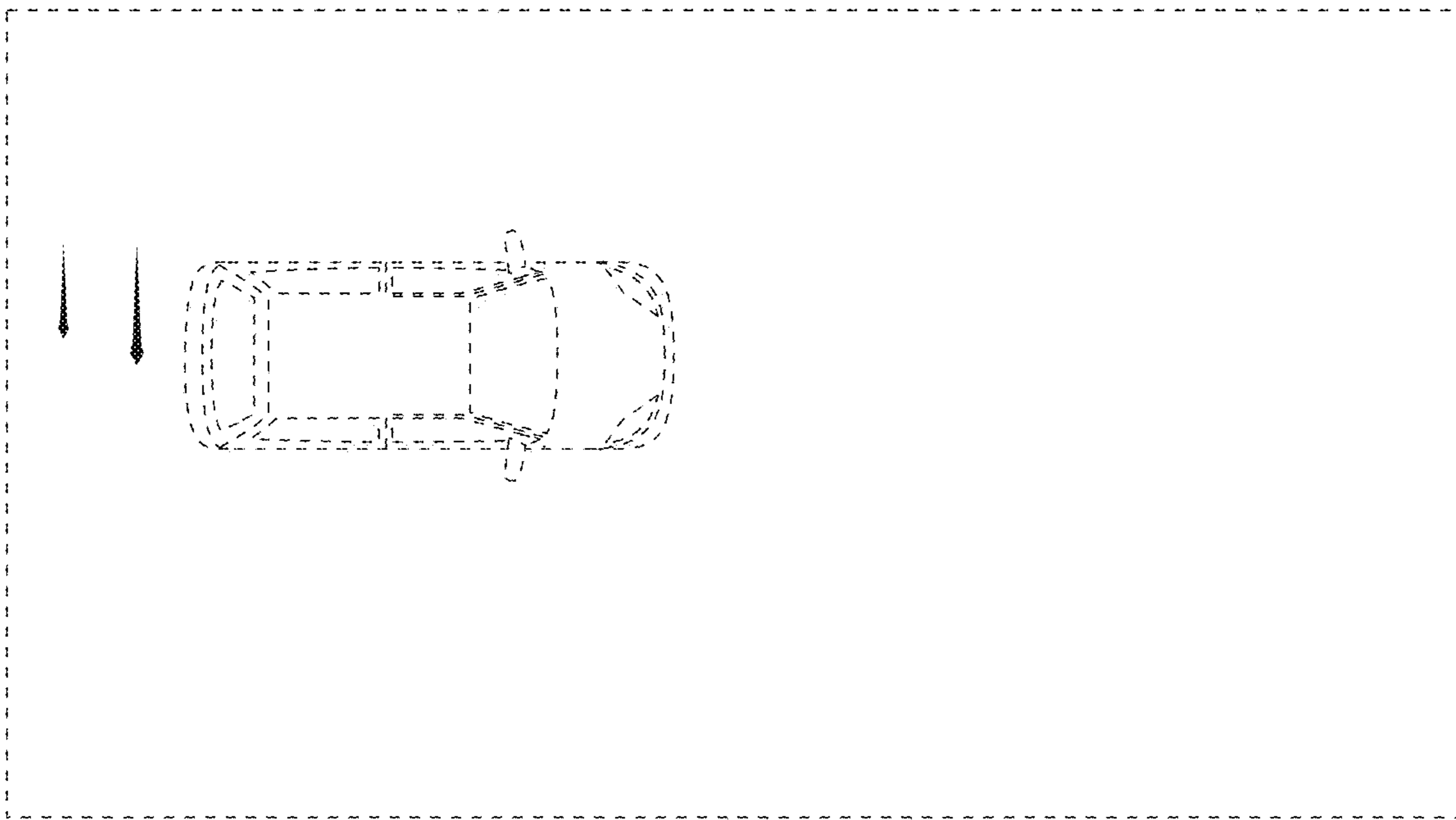


FIG. 13

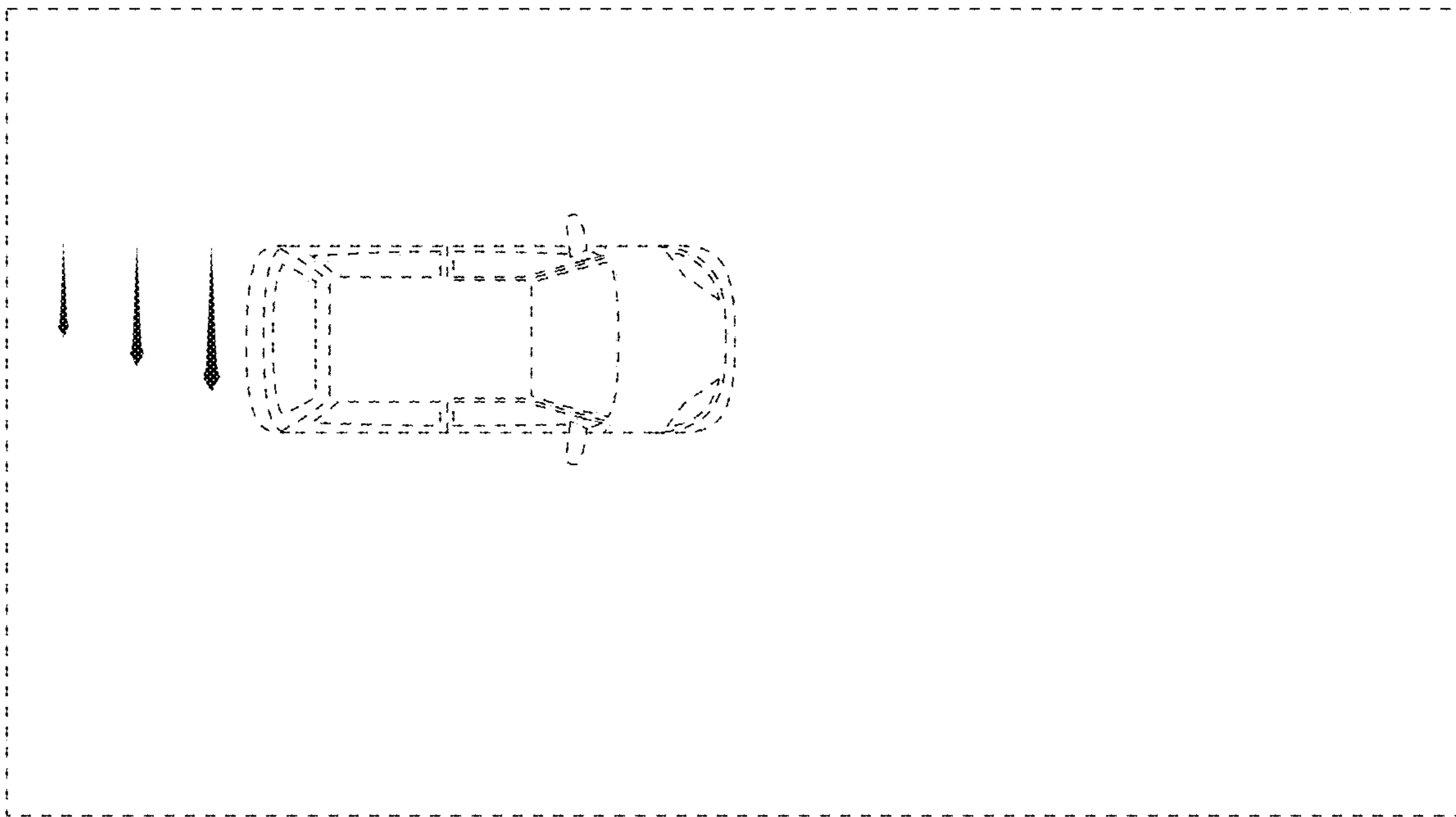


FIG. 14

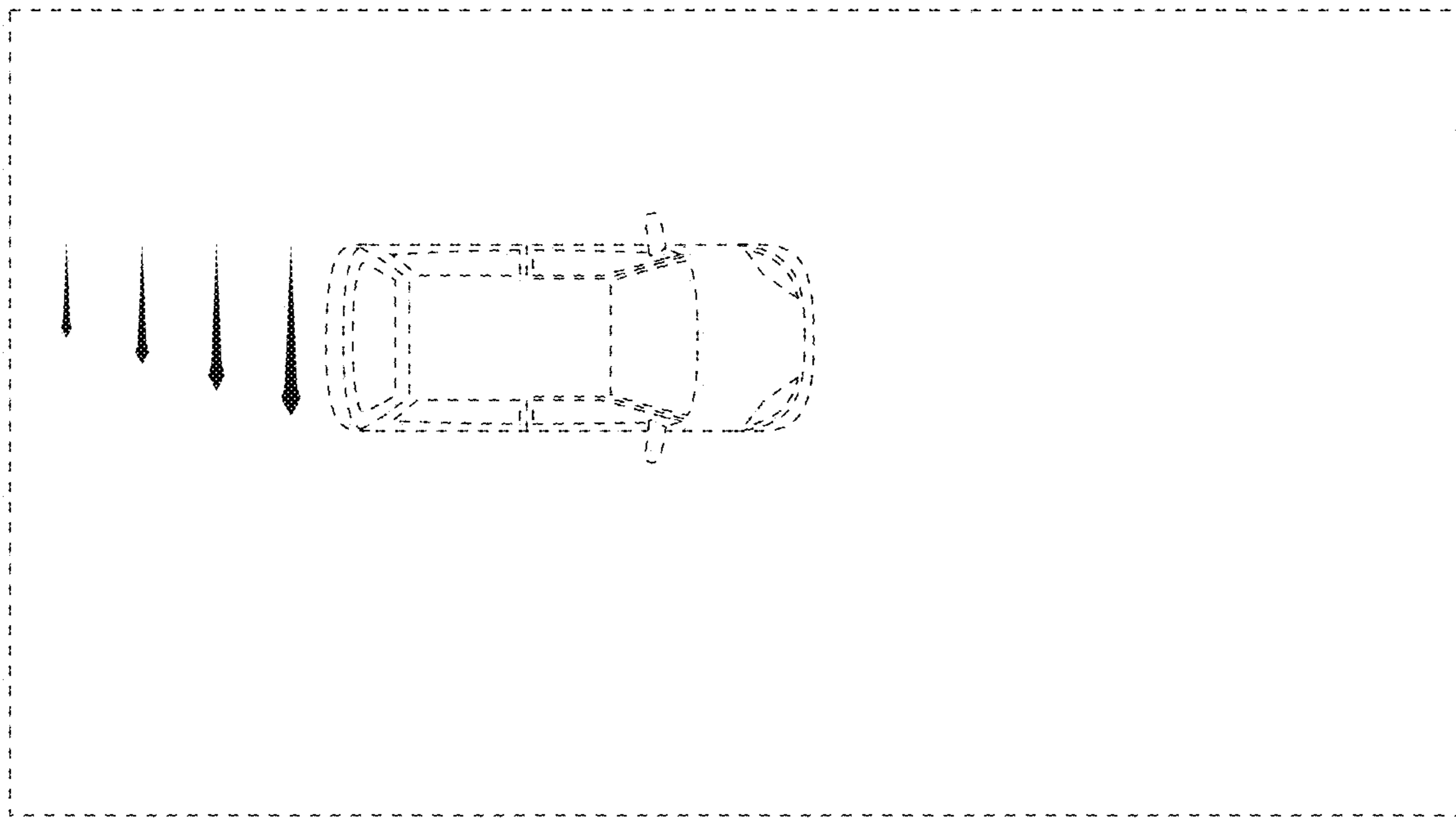


FIG. 15

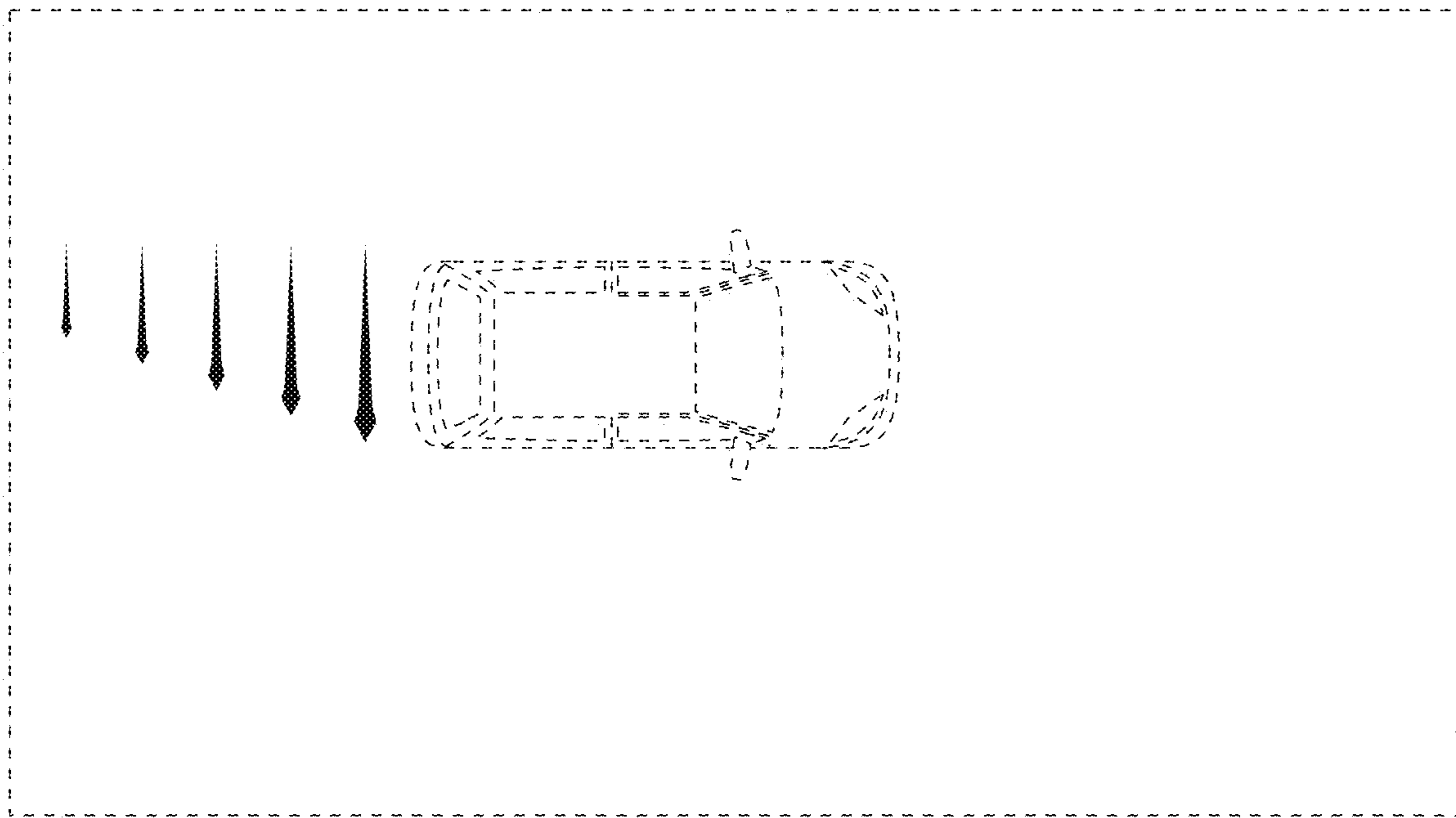


FIG. 16

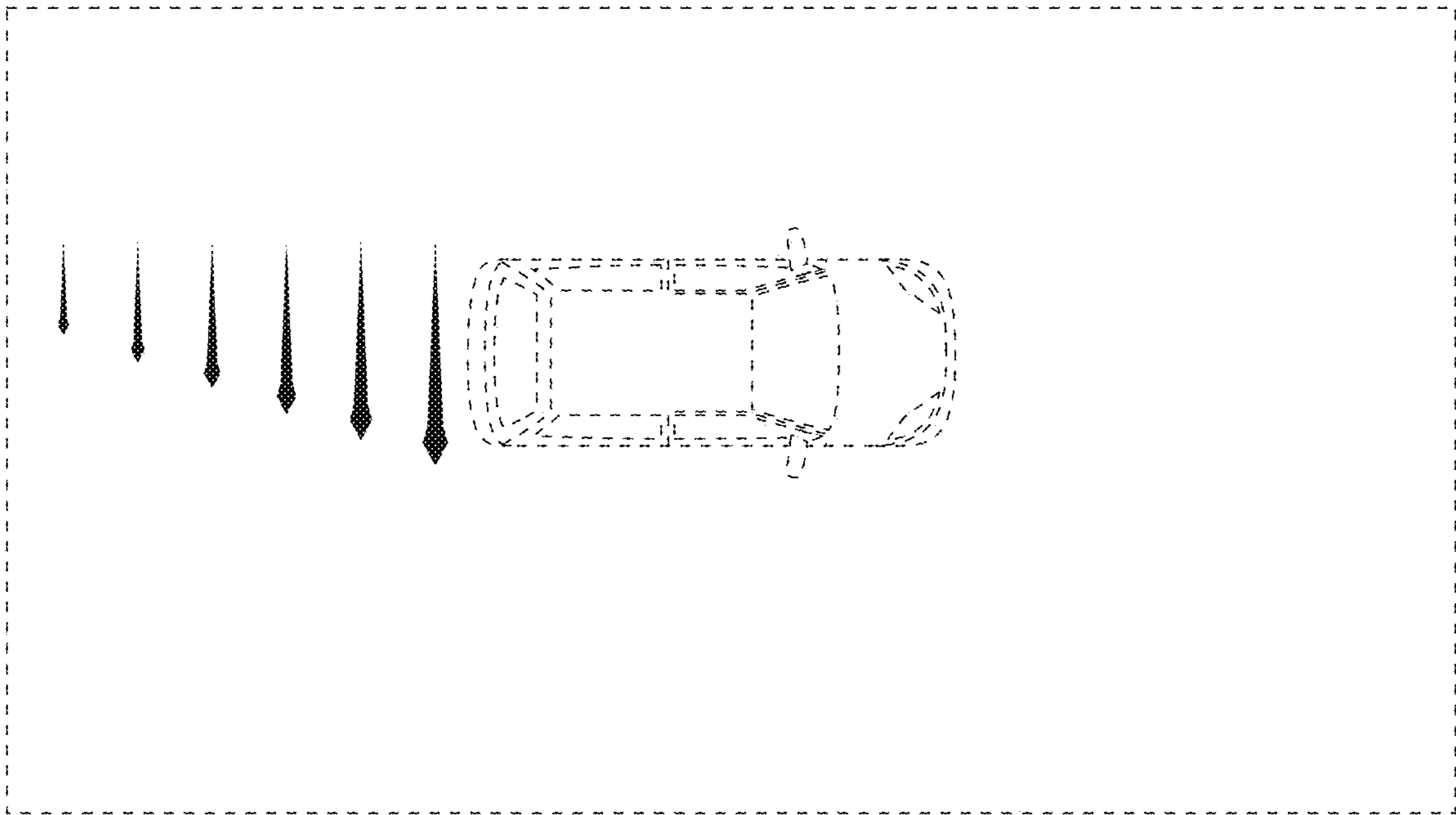


FIG. 17

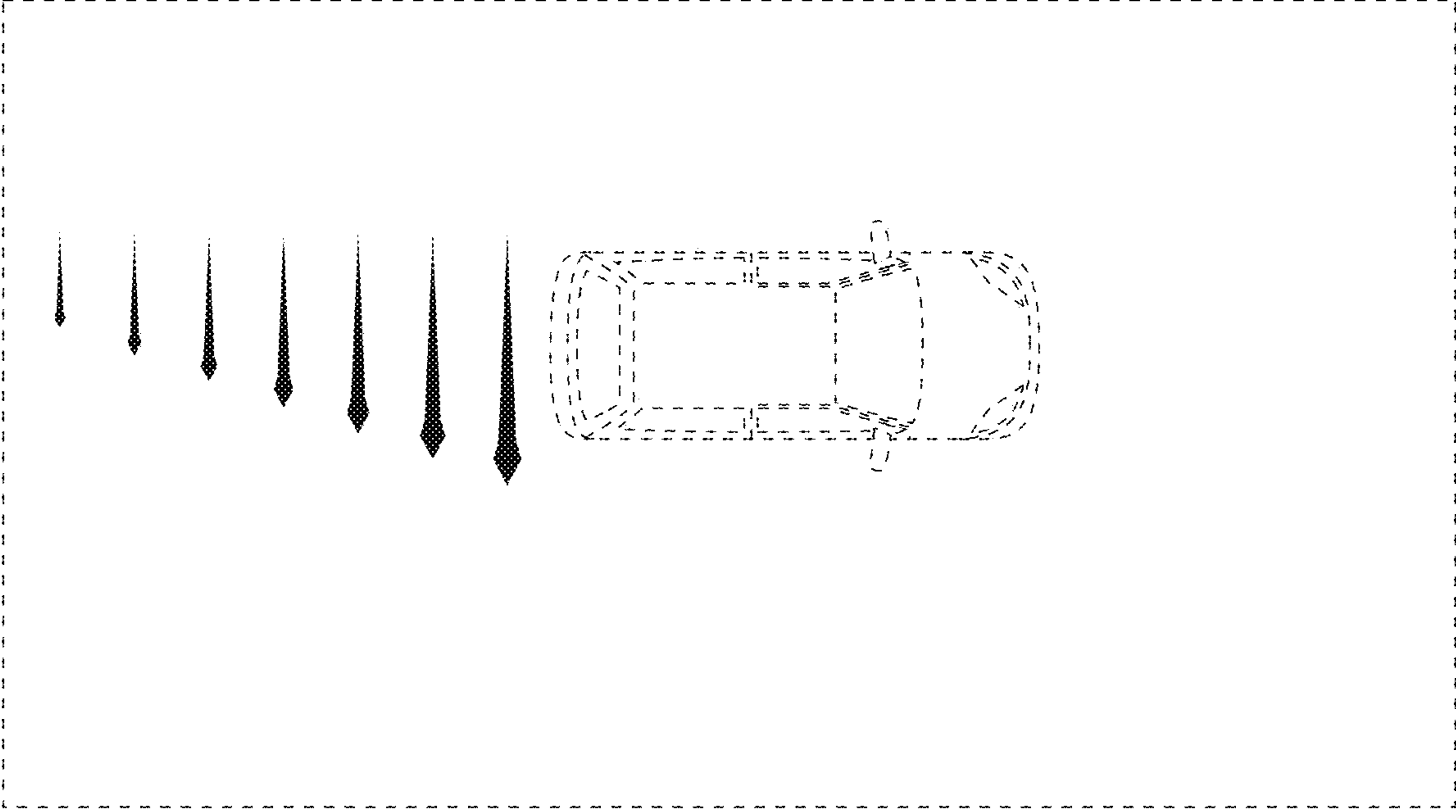


FIG. 18

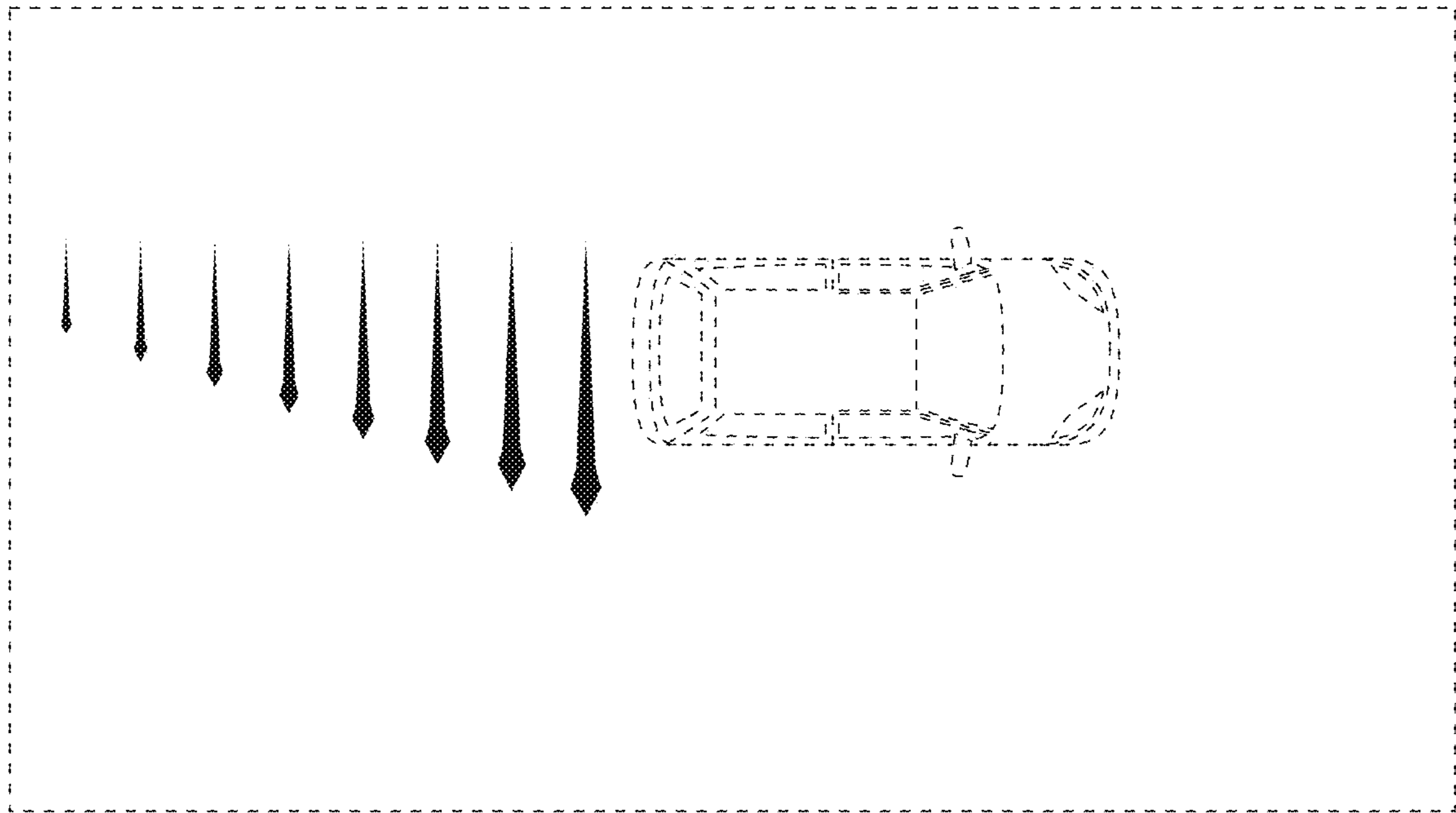


FIG. 19

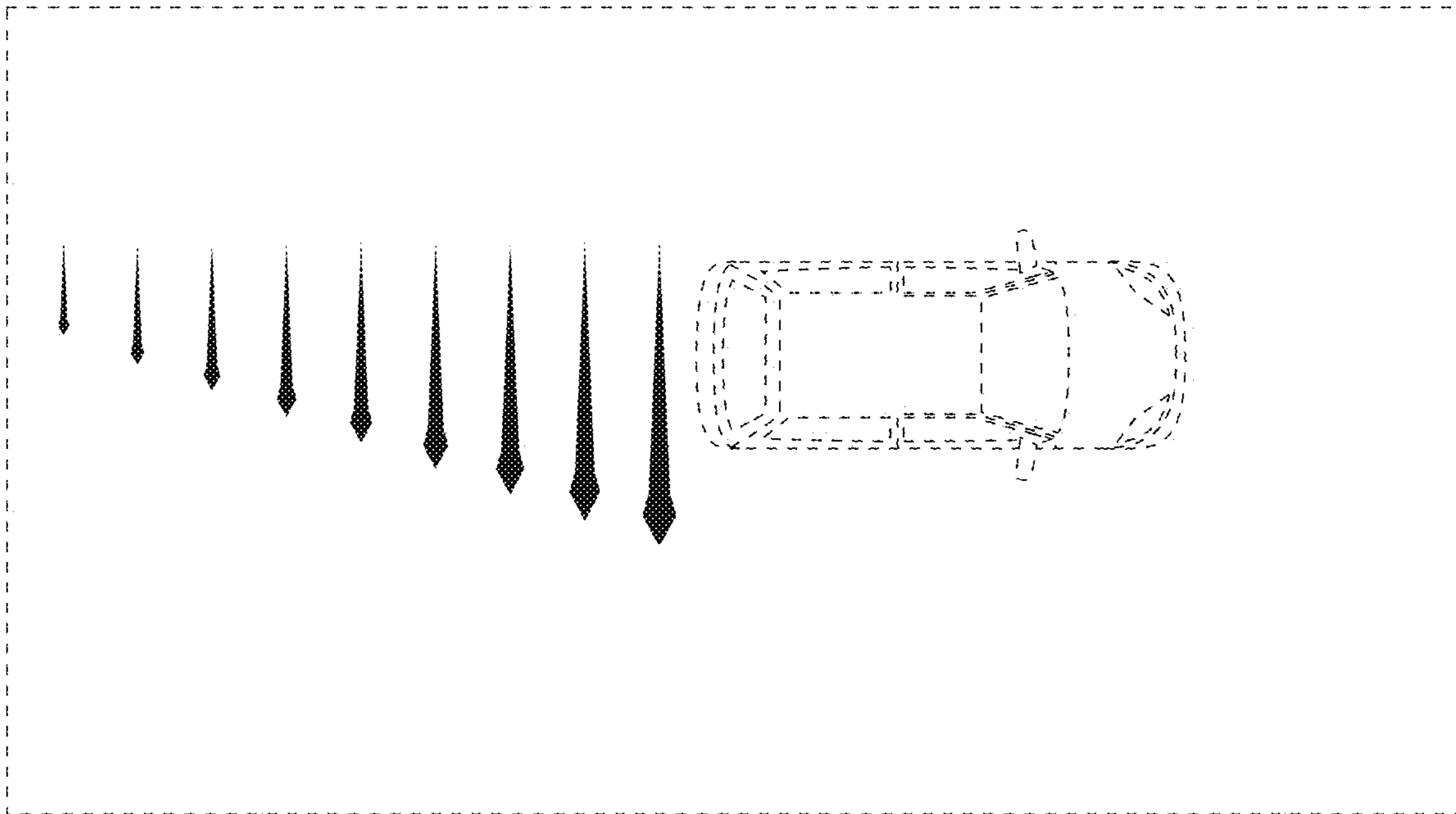


FIG. 20

