



US00D951972S

(12) **United States Design Patent** (10) **Patent No.:** **US D951,972 S**  
**Vincent et al.** (45) **Date of Patent:** **\*\* May 17, 2022**

(54) **MOBILE DISPLAY SCREEN WITH GRAPHICAL USER INTERFACE**  
(71) Applicant: **HEALTH MANAGEMENT SYSTEMS, INC.**, Irving, TX (US)  
(72) Inventors: **Reginald Vincent**, Maplewood, NJ (US); **Tai Phan**, Farmers Branch, TX (US); **Mari-Anne Eisert**, Charlotte, NC (US)

D716,325 S \* 10/2014 Brudnicki ..... D14/486  
D729,833 S \* 5/2015 Clare ..... D14/486  
D754,682 S \* 4/2016 Lee ..... D14/485  
D758,422 S \* 6/2016 Zhao ..... G06F 3/04817  
D14/488  
D759,662 S \* 6/2016 Panjabi ..... D14/485  
D759,684 S \* 6/2016 Bijlani ..... D14/486  
D760,246 S \* 6/2016 Birks ..... D14/485  
D760,790 S \* 7/2016 Ishii ..... G06F 3/04817  
D14/494  
D761,812 S \* 7/2016 Motamedi ..... D14/485  
D763,308 S \* 8/2016 Wang ..... D14/486  
D763,894 S \* 8/2016 Lamparelli ..... D14/486  
D767,586 S \* 9/2016 Kwon ..... D14/485  
D767,612 S \* 9/2016 Hemsley ..... D14/486  
D773,524 S \* 12/2016 Kisselev ..... D14/488  
D778,295 S \* 2/2017 Wang ..... D14/486  
D778,308 S \* 2/2017 Wang ..... D14/486  
D781,327 S \* 3/2017 Conze ..... D14/486  
D781,890 S \* 3/2017 Gathman ..... D14/486  
D783,672 S \* 4/2017 Rajasankar ..... D14/488  
D785,017 S \* 4/2017 Wang ..... D14/486  
D786,278 S \* 5/2017 Motamedi ..... D14/485  
D788,785 S \* 6/2017 Flood ..... D14/485  
D795,279 S \* 8/2017 Van Every ..... D14/486

(73) Assignee: **HEALTH MANAGEMENT SYSTEMS, INC.**, Irving, TX (US)

(\*\*) Term: **15 Years**

(21) Appl. No.: **29/706,739**

(22) Filed: **Sep. 23, 2019**

**Related U.S. Application Data**

(62) Division of application No. 29/612,751, filed on Aug. 3, 2017, now Pat. No. Des. 861,021.

(51) **LOC (13) Cl.** ..... **14-04**

(52) **U.S. Cl.**  
USPC ..... **D14/486**

(58) **Field of Classification Search**  
USPC ..... D14/485-495  
CPC ..... G06F 3/0482; G06F 3/04842; G06F 2203/04807; G06F 19/3418; G06F 19/3406; G06F 19/34; H04M 1/2477; G06Q 50/22; G06Q 50/24; G06Q 10/10; G06Q 10/06; G06T 2207/30004; A61B 5/02; A61B 8/46

See application file for complete search history.

(56) **References Cited**

**U.S. PATENT DOCUMENTS**

D591,305 S \* 4/2009 Shimoda ..... D14/485  
D699,251 S \* 2/2014 Rao ..... D14/486

(Continued)

*Primary Examiner* — Katherine A Holbrow

(74) *Attorney, Agent, or Firm* — Perkins Coie LLP

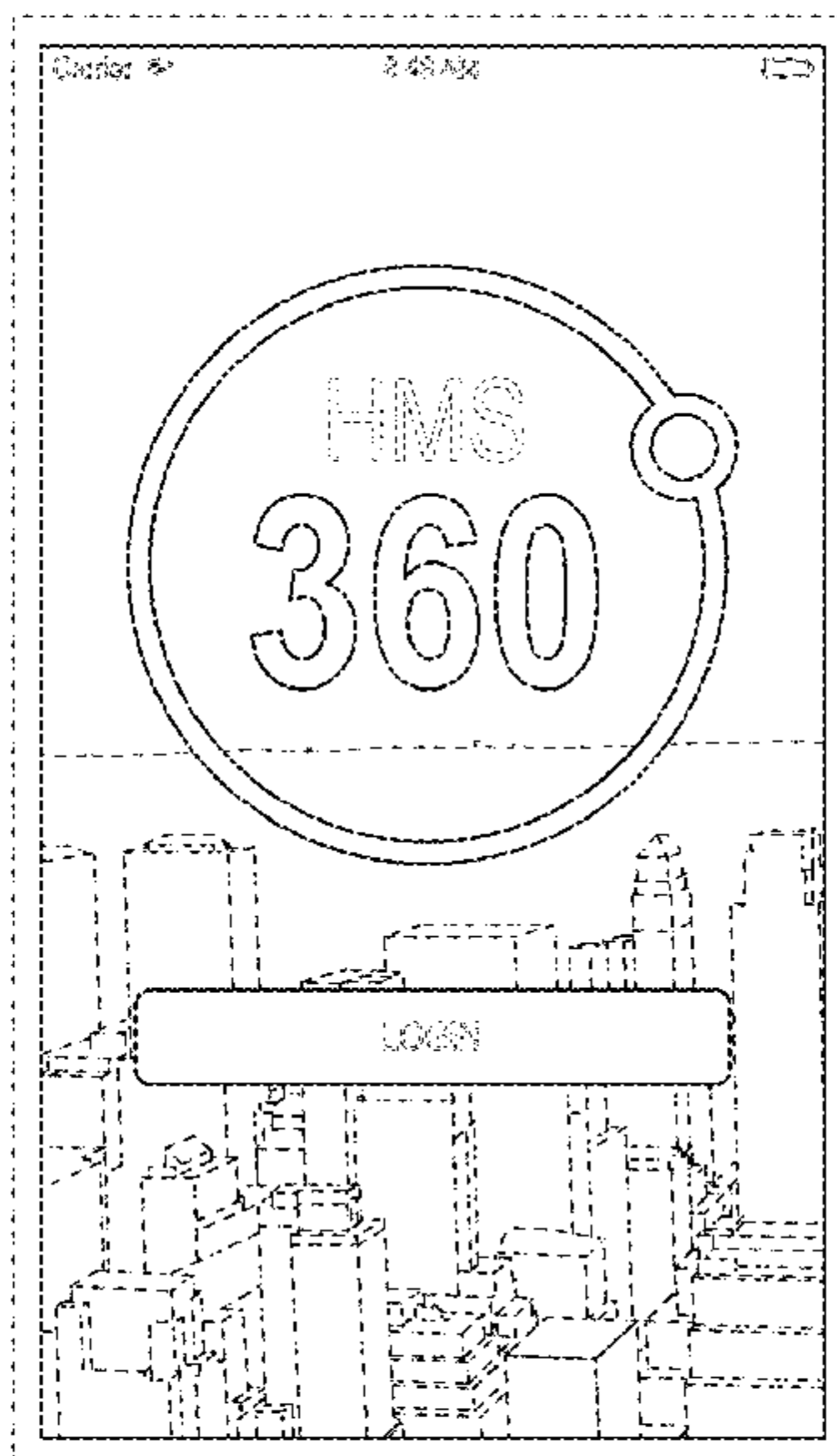
(57) **CLAIM**

The ornamental design for a mobile display screen with graphical user interface, as shown and described.

**DESCRIPTION**

The sole FIGURE is a front view of a mobile display screen with graphical user interface, showing our new design. The broken lines showing the display screen and portions of the graphical user interface form no part of the claimed design.

**1 Claim, 1 Drawing Sheet**



(56)

References Cited

U.S. PATENT DOCUMENTS

D795,906 S *	8/2017	Butrick	.....	D14/486	D838,731 S *	1/2019	Pillalamarri	.....	D14/485
D803,250 S *	11/2017	Lee	.....	D14/486	D840,428 S *	2/2019	Narinedhat	.....	D14/488
D803,882 S *	11/2017	Martin	.....	D14/492	D843,392 S *	3/2019	Timmer	.....	D14/485
D816,090 S *	4/2018	Stonecipher	.....	D14/485	D844,668 S *	4/2019	Lee	.....	D14/492
D818,491 S *	5/2018	Timmer	.....	D14/489	D845,317 S *	4/2019	Wellmeier	.....	D14/486
D823,869 S *	7/2018	Zimmerman	.....	D14/486	D848,459 S *	5/2019	Li	.....	D14/486
D826,957 S *	8/2018	Pillalamarri	.....	D14/485	D861,021 S *	9/2019	Vincent	.....	D14/486
D827,658 S	9/2018	Worden et al.			D875,106 S *	2/2020	Winton	.....	D14/485
D830,384 S *	10/2018	Lepine	.....	D14/486	D911,352 S *	2/2021	Stroier	.....	D14/485
D830,385 S	10/2018	Lepine et al.			2010/0087230 A1 *	4/2010	Peh	.....	G06F 3/0488 455/566
D831,035 S *	10/2018	McGlasson	.....	D14/485	2014/0365944 A1 *	12/2014	Moore	.....	G06F 3/0484 715/772
D831,040 S *	10/2018	Amini	.....	D14/485	2016/0081620 A1 *	3/2016	Narayanan	.....	A61B 5/4866 600/483
D831,049 S	10/2018	Agarwal et al.			2016/0098154 A1 *	4/2016	Ko	.....	G06F 3/017 345/173
D831,059 S *	10/2018	Bao	.....	D14/486	2016/0253083 A1 *	9/2016	Lee	.....	H04L 51/043 715/771
D832,292 S	10/2018	Hu et al.							
D832,870 S	11/2018	Hu							
D835,139 S	12/2018	Li							
D835,142 S	12/2018	Li et al.							

\* cited by examiner

