



US00D951963S

(12) **United States Design Patent** (10) **Patent No.:** **US D951,963 S**  
**Memke et al.** (45) **Date of Patent:** **\*\* May 17, 2022**

(54) **BASE CONFIGURED TO SUPPORT AN OPTICAL SCANNER**

- (71) Applicant: **Hand Held Products, Inc.**, Fort Mill, SC (US)
- (72) Inventors: **David K. Memke**, Bainbridge Island, WA (US); **Roger Jackson**, Lake Forest Park, WA (US); **Tim Zurmoehle**, Seattle, WA (US); **William Herweh, III**, Seattle, WA (US); **Churu Yun**, Seattle, WA (US); **Matthew McElvogue**, Seattle, WA (US); **Rajat Shail**, Chicago, IL (US)
- (73) Assignee: **Hand Held Products, Inc.**, Charlotte, NC (US)
- (\*\*) Term: **15 Years**
- (21) Appl. No.: **29/673,590**
- (22) Filed: **Dec. 17, 2018**

**Related U.S. Application Data**

- (63) Continuation of application No. 29/572,902, filed on Aug. 1, 2016, now Pat. No. Des. 838,273.
- (51) **LOC (13) Cl.** ..... **14-02**
- (52) **U.S. Cl.**  
USPC ..... **D14/453**; D13/107; D13/108; D14/434
- (58) **Field of Classification Search**  
USPC ..... D14/434, 447, 453, 432, 433, 385, 357, D14/149, 457, 253, 251, 356, 242, 439, D14/344, 140.2, 140.5, 140.9, 203.8, D14/209.1, 224.1, 227, 229, 238, 405; D13/108, 118, 199, 107, 177, 119, 184, D13/116, 109; D3/218, 228, 269; D18/12; D8/349, 382; 361/683, 686, 361/679, 600, 679.44, 679.09, 679.26, 361/679.58; 455/557, 556.1, 556.2,  
(Continued)

(56) **References Cited**

U.S. PATENT DOCUMENTS

- 2,642,520 A 6/1953 Keely
- 2,754,863 A 7/1956 Yearley
- (Continued)

OTHER PUBLICATIONS

Bidwell et al., "Headset", Design U.S. Appl. No. 29/572,887, filed Aug. 1, 2016, 73 pages, [Not yet published/granted].  
(Continued)

*Primary Examiner* — Susan Moon Lee

(74) *Attorney, Agent, or Firm* — Alston & Bird LLP

(57) **CLAIM**

The ornamental design for a base configured to support an optical scanner, as shown in the accompanying drawings and described above.

**DESCRIPTION**

FIG. 1 is a top, front perspective view of a base configured to support an optical scanner, in accordance with the present invention.

FIG. 2 is a front elevation view of the base of FIG. 1.

FIG. 3 is a rear elevation view of the base of FIG. 1.

FIG. 4 is a right elevation view of the base of FIG. 1.

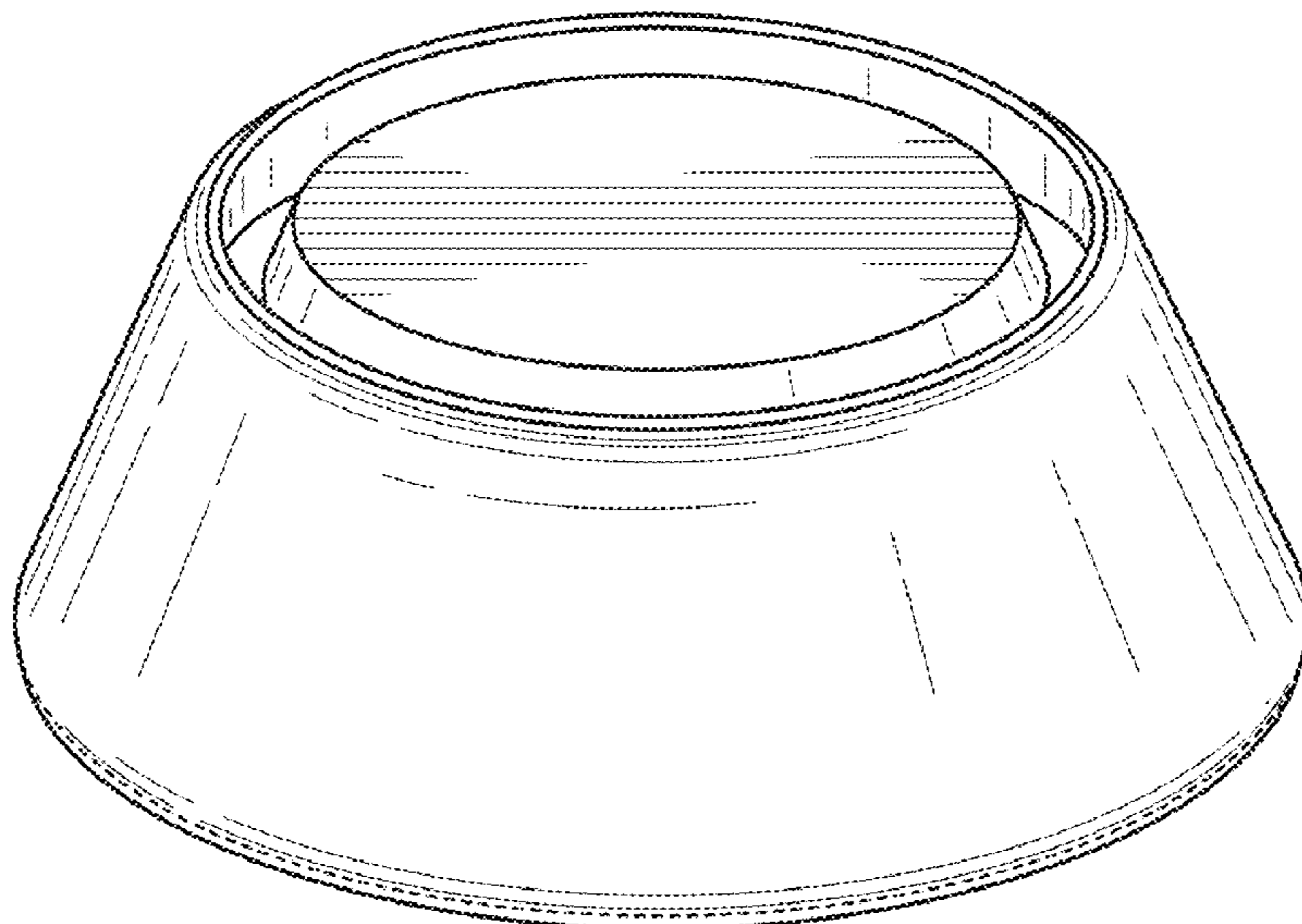
FIG. 5 is a left elevation view of the base of FIG. 1.

FIG. 6 is a top plan view of the base of FIG. 1.

FIG. 7 is a bottom plan view of the base of FIG. 1; and, FIG. 8 is cross-sectional view taken along line 8-8 of FIG. 6 for illustrating the annular recess in the upper surface of the base of FIG. 1. Applicant explicitly disclaims internal features of the cross-sectional view of FIG. 8.

The broken lines shown herein are for illustrative purposes and form no part of the claimed design.

**1 Claim, 7 Drawing Sheets**



(58) **Field of Classification Search**

USPC ..... 455/575.4, 569.2, 569.1; 248/346.03,  
 248/176.1, 181.1, 309.1, 221.11, 349.1,  
 248/131, 418, 346.01, 918, 920; 200/6 R;  
 206/701; 320/107, 108, 112–116, 125,  
 320/134, 160; 379/426; 345/156, 901,  
 345/905; 439/374, 131, 529, 534, 929,  
 439/346, 31, 640; 235/472.01, 454,  
 235/462.01, 462.32, 462.41, 462.45,  
 235/462.48, 462.46, 462.43, 462.42,  
 235/462.14, 462.1, 462.13, 472.02;  
 429/100; 382/135; 312/223.1; D24/186,  
 D24/187, 133  
 CPC ..... G06K 7/109; G06K 7/10881; G06K  
 7/10861; G06K 7/10594; G06K 7/10831;  
 G06K 7/1096; G06K 7/10851; G06K  
 7/10821; G06K 7/10475; G06K 17/0022;  
 G06F 1/1632; G06F 1/163; G07G 1/0018;  
 G07G 1/0045; Y10S 248/92; F16M  
 11/10; F16M 11/08; F16M 11/041; F16M  
 11/00; F16M 11/046; F16M 11/2021;  
 F16M 13/00; F16M 2200/08; A47F  
 9/046; H02J 7/0044; H02J 7/0042; H02J  
 7/0004; H02J 7/0054; H02J 7/0047; H02J  
 7/0027; H02J 7/0013; H04M 1/04; H04N  
 2201/0058; H01M 2/1055

See application file for complete search history.

(56)

**References Cited**

U.S. PATENT DOCUMENTS

D209,074 S 10/1967 Swett  
 D213,401 S 2/1969 Holder  
 D231,684 S 5/1974 Reyda  
 D237,582 S 11/1975 Mostyn  
 D280,971 S 10/1985 Newton  
 D294,869 S 3/1988 Kwan  
 D329,796 S 9/1992 Olson  
 D340,744 S \* 10/1993 Van Eijben ..... D19/65  
 D342,138 S 12/1993 Wollman et al.  
 D351,660 S 10/1994 Ichikawa et al.  
 D367,416 S 2/1996 Gustafson et al.  
 5,488,813 A 2/1996 Weder  
 D382,823 S \* 8/1997 Newland, Jr. .... D10/106.5  
 D408,355 S \* 4/1999 Welsh ..... D13/139.4  
 D422,473 S 4/2000 Spierer  
 D434,686 S \* 12/2000 Denman ..... D10/106.1  
 D491,654 S 6/2004 Gatchell et al.  
 D495,043 S 8/2004 Gatchell et al.  
 D496,480 S 9/2004 Slattery  
 D496,651 S 9/2004 Borsboom  
 D508,458 S \* 8/2005 Solland ..... D13/108  
 D519,658 S 4/2006 Izardel  
 D531,875 S 11/2006 Chen  
 D534,898 S 1/2007 Rashid  
 D537,073 S 2/2007 Peersman  
 D538,430 S 3/2007 Ohta  
 D545,274 S 6/2007 Dong  
 D551,329 S 9/2007 Cheng  
 D552,597 S \* 10/2007 Solland ..... D14/217  
 D553,122 S \* 10/2007 Solland ..... D14/217  
 D553,123 S \* 10/2007 Solland ..... D14/217  
 D577,814 S 9/2008 Seki et al.  
 D581,905 S \* 12/2008 Solland ..... D14/217  
 D582,534 S 12/2008 Conway et al.  
 D585,971 S 2/2009 Carrizales, Jr.  
 D591,853 S 5/2009 Osterberg  
 D597,527 S 8/2009 Kim et al.  
 D604,277 S 11/2009 Benedetti  
 D606,979 S \* 12/2009 Henry ..... D14/218  
 D613,692 S 4/2010 Son et al.  
 D614,136 S 4/2010 Chyan et al.

D614,137 S 4/2010 Son et al.  
 D621,949 S 8/2010 Seki et al.  
 D623,311 S 9/2010 Aulwes et al.  
 D625,295 S \* 10/2010 Nogueira ..... D14/218  
 D631,837 S 2/2011 Smith et al.  
 D632,281 S \* 2/2011 Hoehn ..... D14/218  
 D638,134 S 5/2011 Nikitszuk et al.  
 D640,403 S 6/2011 Kristiansen et al.  
 D643,102 S 8/2011 Abbondanzio et al.  
 D646,007 S 9/2011 Tompkin  
 D647,082 S 10/2011 Rawson et al.  
 D650,105 S 12/2011 Crawford et al.  
 D654,875 S 2/2012 Au  
 D656,465 S 3/2012 Au  
 D659,120 S 5/2012 Kim et al.  
 D659,257 S 5/2012 Desberg  
 D659,675 S 5/2012 Kim et al.  
 D660,449 S 5/2012 Sevier et al.  
 D670,844 S 11/2012 von Waldthausen  
 D670,985 S 11/2012 Tompkin  
 D672,313 S 12/2012 Smith et al.  
 D673,528 S \* 1/2013 Trotsky ..... D14/217  
 D680,541 S \* 4/2013 Lee ..... D14/434  
 D684,312 S 6/2013 Badawi  
 D687,583 S 8/2013 von Waldthausen  
 D691,587 S \* 10/2013 Ferber ..... D14/216  
 D691,954 S 10/2013 Lee et al.  
 D692,832 S 11/2013 Esses  
 D697,482 S 1/2014 Cheng  
 D698,953 S 2/2014 Hinzmann  
 D701,971 S 4/2014 Valen et al.  
 D705,355 S \* 5/2014 Webster ..... D19/86  
 D707,839 S 6/2014 Bradley et al.  
 D710,481 S 8/2014 Walter et al.  
 D710,660 S 8/2014 Roberts, Jr.  
 D710,743 S 8/2014 Bartter  
 D710,744 S 8/2014 Bartter  
 D711,522 S 8/2014 Hsiao  
 D711,523 S 8/2014 Hsiao  
 D711,830 S 8/2014 Liu  
 D714,248 S \* 9/2014 Chang ..... D14/140  
 D714,923 S 10/2014 Engelhard et al.  
 D717,509 S 11/2014 Patton  
 D719,916 S 12/2014 Cheng  
 D722,197 S 2/2015 Helmbold et al.  
 D722,374 S 2/2015 Lewis  
 D723,481 S 3/2015 Park et al.  
 D723,514 S 3/2015 Lukic et al.  
 D729,377 S 5/2015 Chen  
 D731,465 S \* 6/2015 Khubani ..... D14/216  
 D733,280 S 6/2015 Bourne  
 D735,945 S \* 8/2015 Reishus ..... D28/73  
 D738,553 S 9/2015 Fletcher  
 D741,836 S 10/2015 Greenwood  
 D744,630 S 12/2015 Ying  
 D746,511 S \* 12/2015 Gettings ..... D26/152  
 D747,417 S \* 1/2016 Cho ..... D21/324  
 D750,565 S 3/2016 Venida et al.  
 D752,023 S 3/2016 Lee  
 D754,377 S 4/2016 Nook et al.  
 D754,834 S 4/2016 Mosell et al.  
 D757,585 S \* 5/2016 Hojmose ..... D10/106.5  
 D760,671 S 7/2016 Chalabi et al.  
 D760,912 S 7/2016 Sedic  
 D767,535 S 9/2016 Koo  
 D772,391 S \* 11/2016 Zimmerli ..... D23/366  
 D773,728 S 12/2016 Eksouzian  
 D775,752 S 1/2017 Nook et al.  
 D777,168 S \* 1/2017 Hill ..... D14/454  
 D777,309 S 1/2017 Skoda et al.  
 D781,798 S \* 3/2017 Klepper ..... D14/125  
 D784,835 S 4/2017 Kim et al.  
 D787,657 S 5/2017 Farone et al.  
 D794,170 S 8/2017 Lopez  
 D795,407 S 8/2017 Skoda et al.  
 D797,704 S \* 9/2017 Fischer ..... D14/216  
 D807,289 S 1/2018 Wang  
 D807,767 S 1/2018 Kim et al.  
 D807,820 S 1/2018 Nazar

(56)

References Cited

U.S. PATENT DOCUMENTS

D808,556 S 1/2018 Patel  
 D810,340 S 2/2018 Chang  
 D811,367 S 2/2018 Vaclavik et al.  
 D813,210 S 3/2018 Benedetti  
 D816,046 S \* 4/2018 Kiong ..... D13/162  
 D818,168 S 5/2018 Chang  
 D818,569 S 5/2018 Farone et al.  
 D832,264 S \* 10/2018 Kim ..... D14/434  
 D834,002 S \* 11/2018 Bergfeldt ..... D14/218  
 D855,583 S \* 8/2019 Capecelatro ..... D14/216  
 D856,316 S \* 8/2019 Yang ..... D14/230  
 D863,258 S \* 10/2019 Song ..... D14/218  
 D865,716 S \* 11/2019 Kuang ..... D14/216  
 D868,031 S \* 11/2019 Ryu ..... D14/216  
 D873,831 S \* 1/2020 DePaolo ..... D14/434  
 D875,736 S \* 2/2020 Ramones ..... D14/447  
 D886,772 S \* 6/2020 Xiong ..... D14/204  
 D909,341 S \* 2/2021 Saule ..... D14/217  
 D928,700 S \* 8/2021 Kim ..... D13/107  
 D937,811 S \* 12/2021 Lee ..... D14/217  
 2002/0178867 A1 12/2002 Lun  
 2013/0193246 A1 8/2013 Roberts, Jr.

2014/0147297 A1 5/2014 Iyer et al.  
 2017/0316767 A1 11/2017 You  
 2021/0305823 A1\* 9/2021 Lee ..... H02J 7/0044

OTHER PUBLICATIONS

Bidwell et al., "Headset", Design U.S. Appl. No. 29/572,890, filed Aug. 1, 2016, 65 pages, [Not yet published/granted].  
 Memke et al. "Optical Scanner", Design U.S. Appl. No. 29/572,896, filed Aug. 1, 2016, 57 pages, [Not yet published/granted].  
 Memke et al. "Optical Scanner", Design U.S. Appl. No. 29/572,898, filed Aug. 1, 2016, 57 pages, [Not yet published/granted].  
 Bidwell et al. "Printer", Design U.S. Appl. No. 29/572,909, filed Aug. 1, 2016, 51 pages, [Not yet published/granted].  
 Bidwell et al. "Optical Scanner", Design U.S. Appl. No. 29/572,904, filed Aug. 1, 2016, 84 pages, [Not yet published/granted].  
 Bidwell et al. "Optical Scanner and Handle", Design U.S. Appl. No. 29/572,907, filed Aug. 1, 2016, 130 pages, [Not yet published/granted].  
 Notice of Allowance and Fees Due (PTOL-85) dated Aug. 29, 2018 for U.S. Appl. No. 29/572,902.

\* cited by examiner

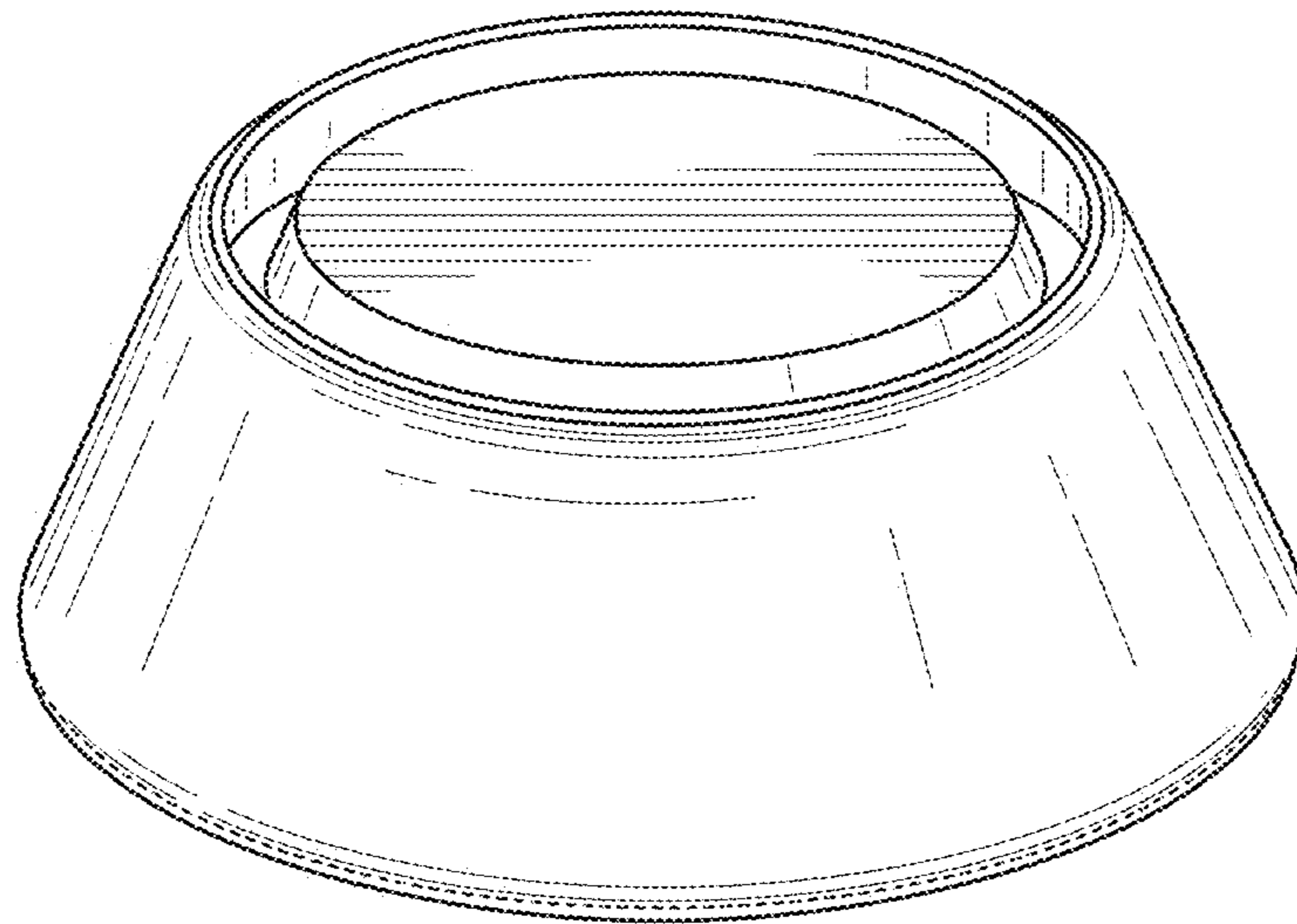


FIG. 1

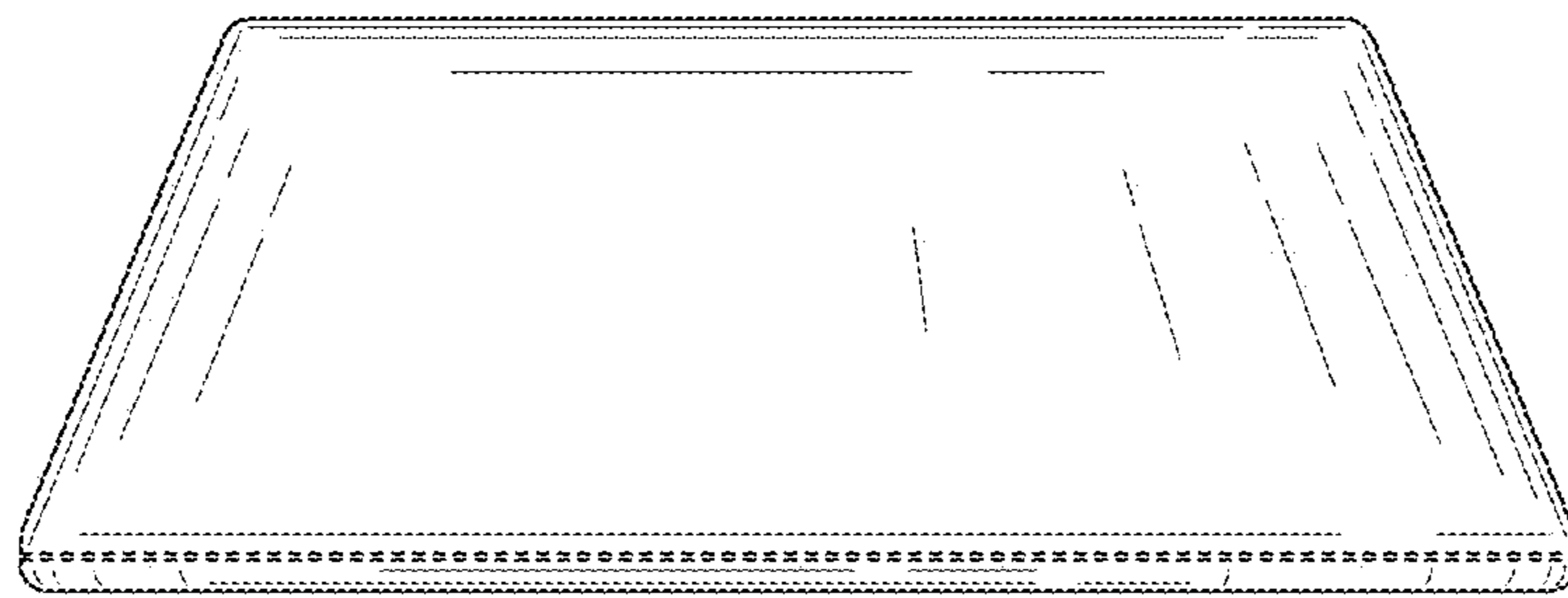


FIG. 2

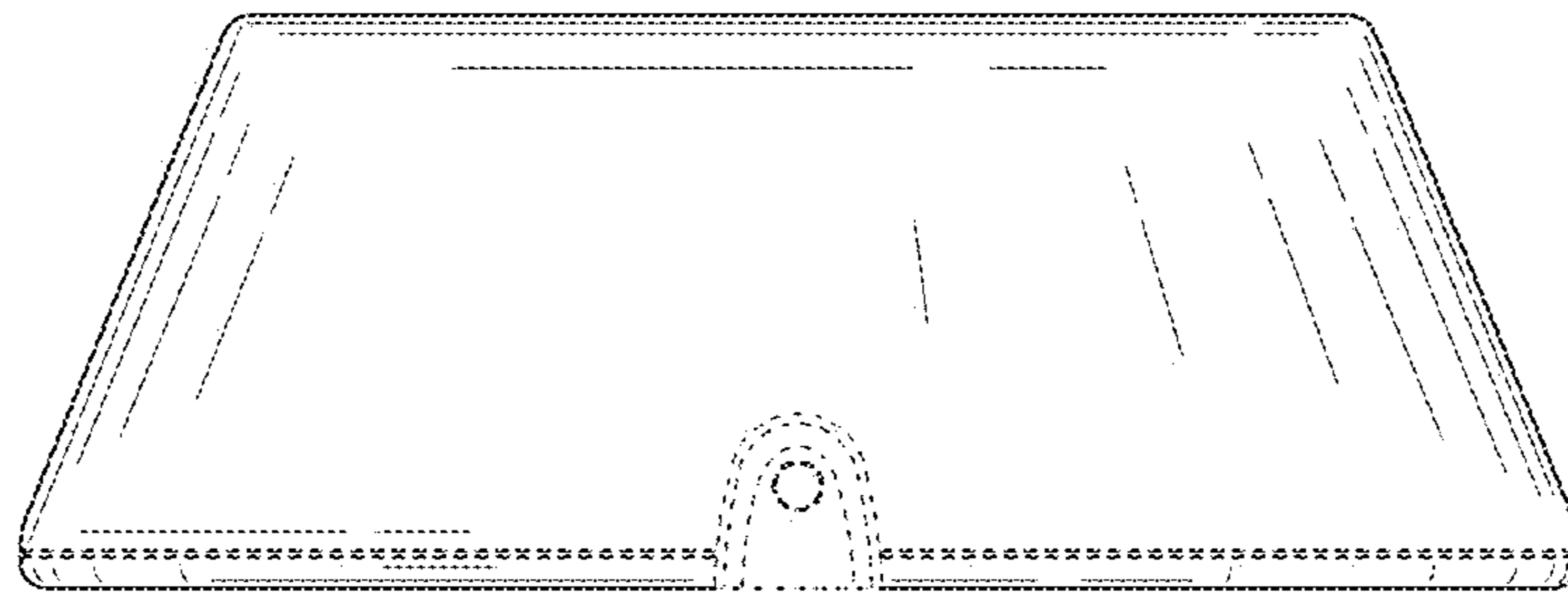


FIG. 3

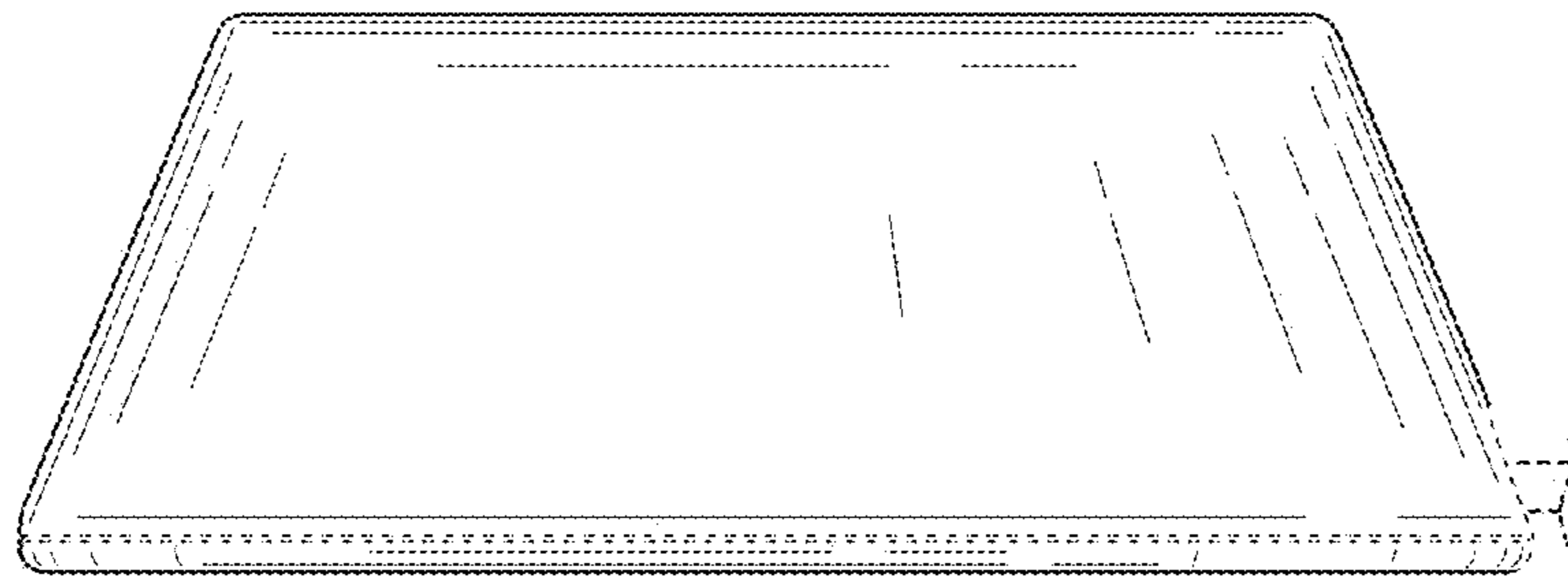


FIG. 4

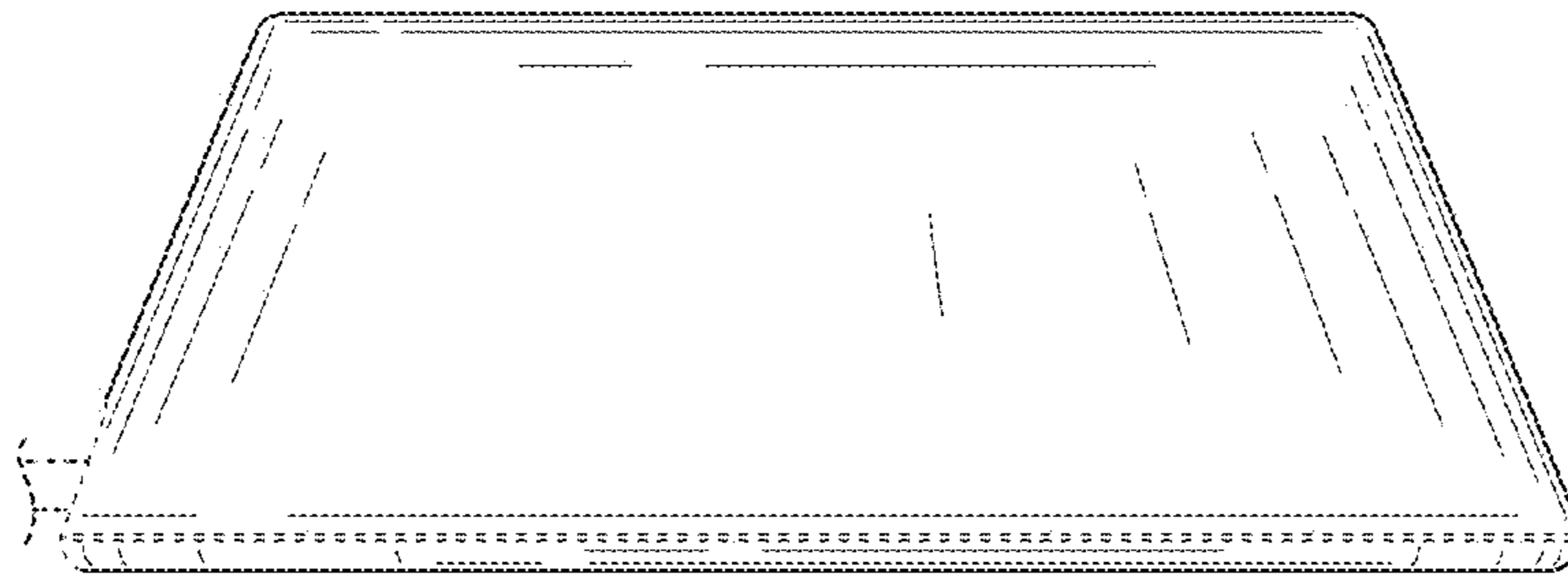


FIG. 5



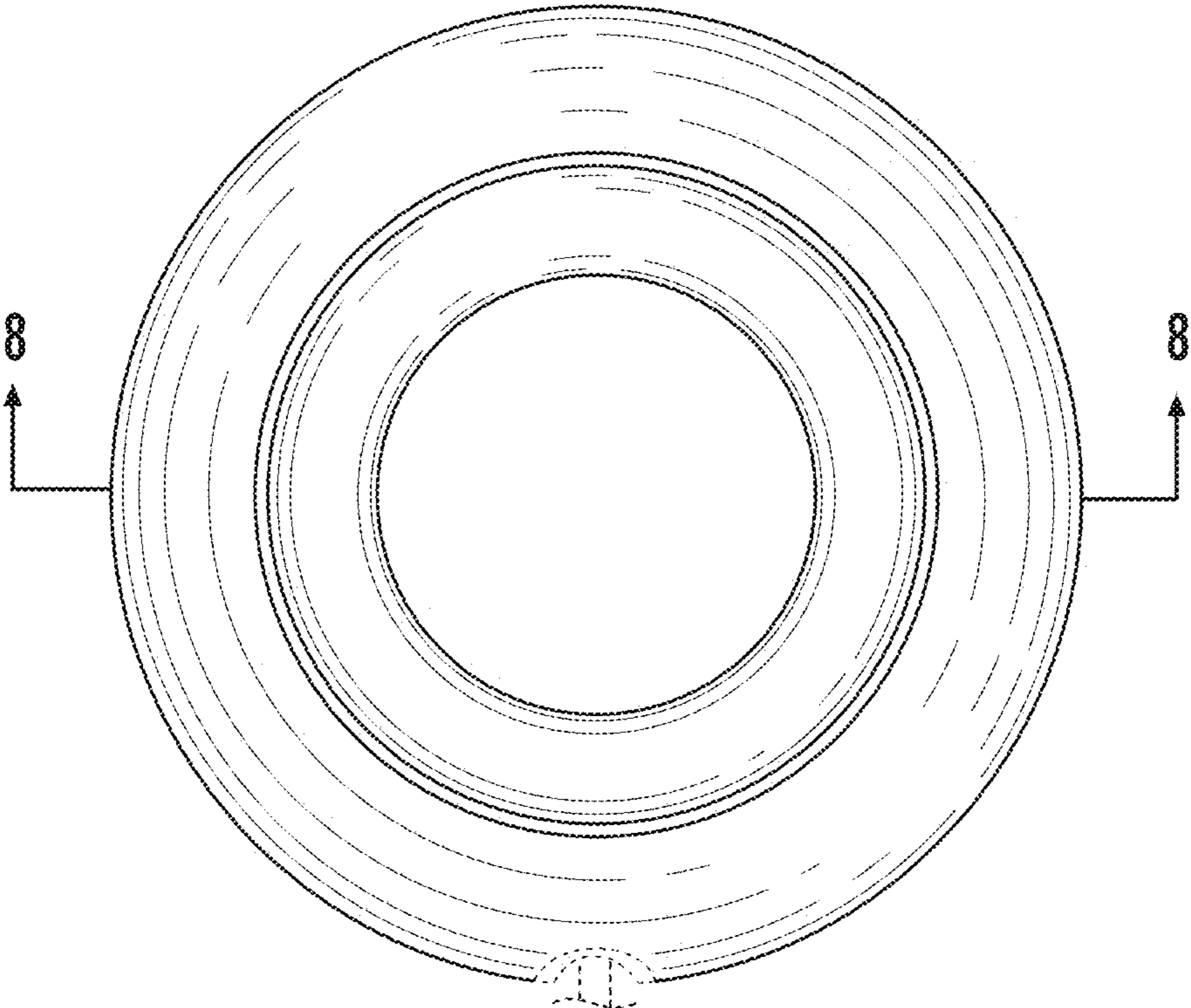


FIG. 6

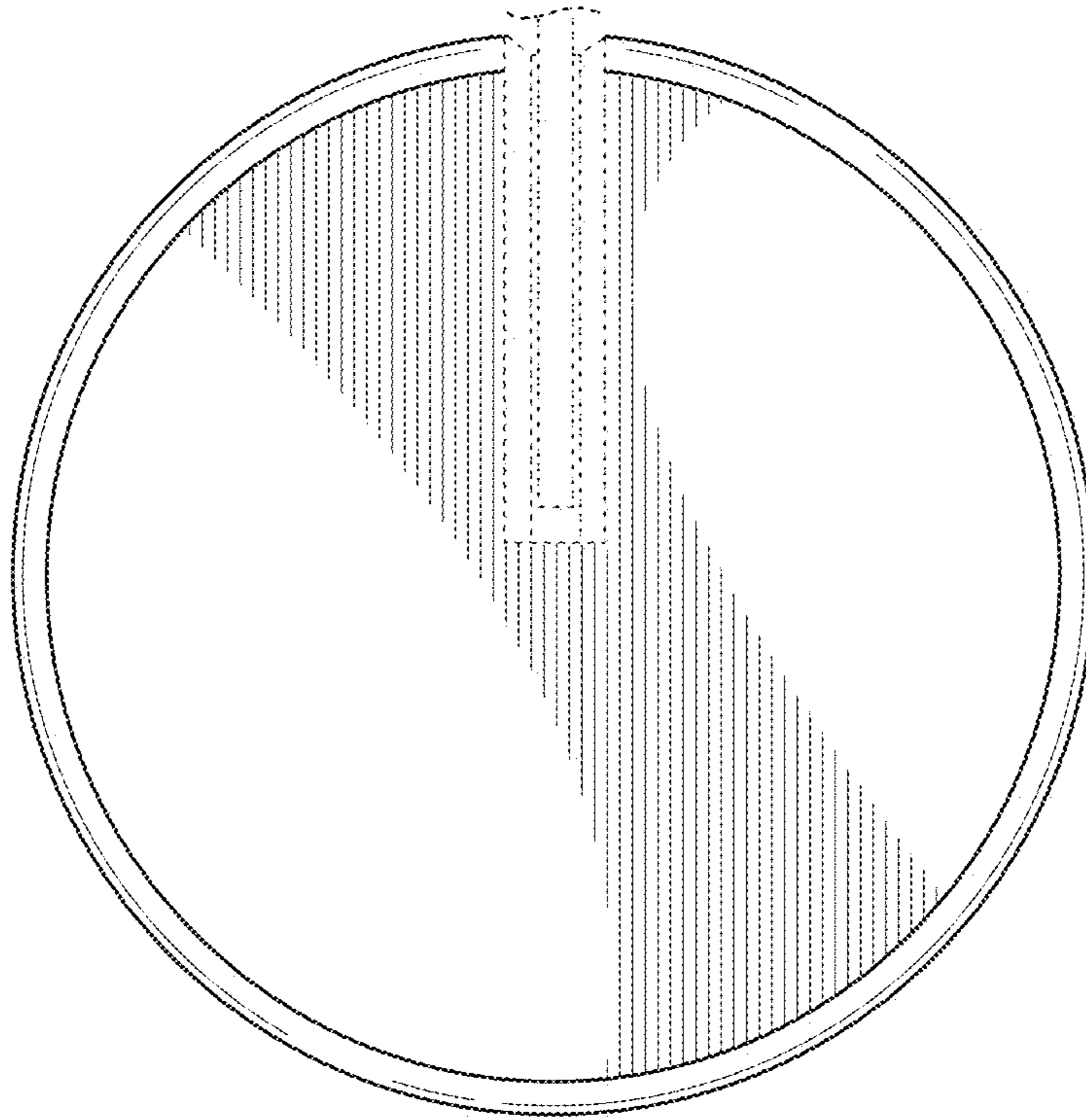


FIG. 7

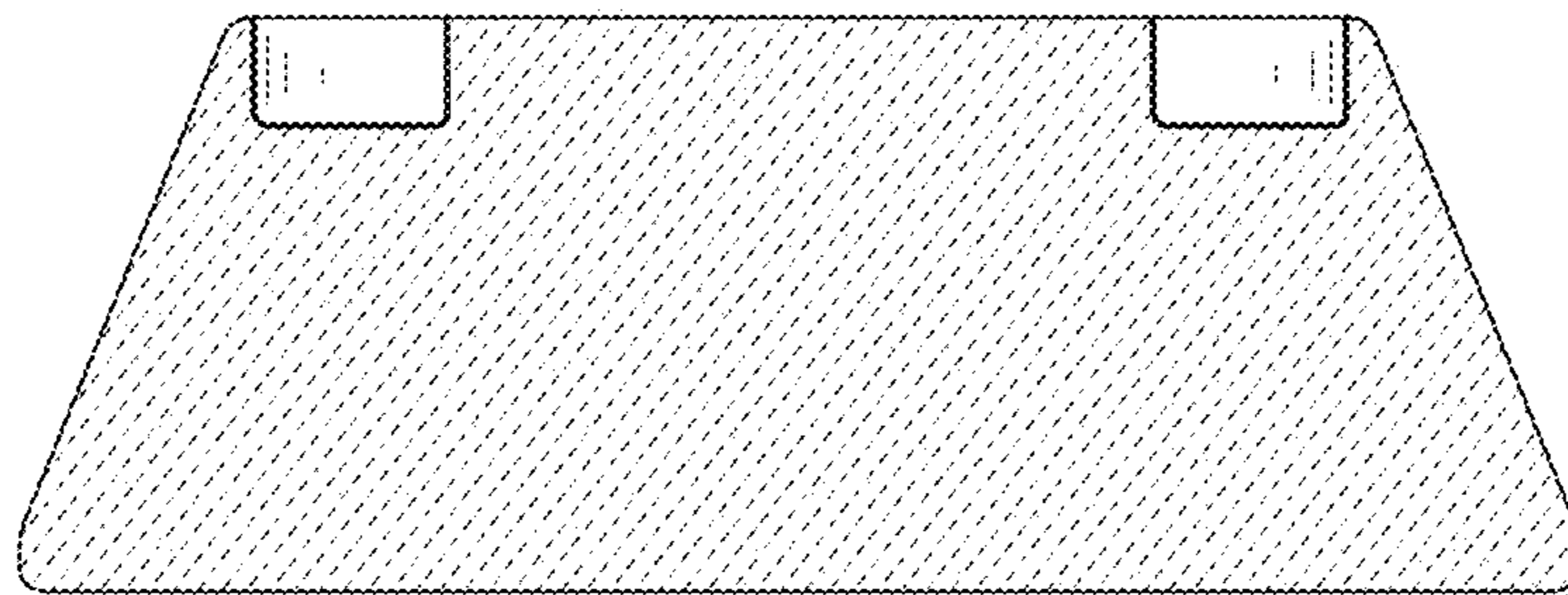


FIG. 8