



US00D951962S

(12) **United States Design Patent** (10) **Patent No.:** **US D951,962 S**  
**You** (45) **Date of Patent:** **\*\* May 17, 2022**

(54) **MONITOR ARM**  
(71) Applicant: **Ningbo Ergovida Health Technology Ltd., Ningbo (CN)**  
(72) Inventor: **Xiaodong You, Ningbo (CN)**  
(73) Assignee: **Ningbo Ergovida Health Technology Ltd., Ningbo (CN)**

D740,830 S \* 10/2015 Chu ..... D14/452  
D745,873 S \* 12/2015 Xiang ..... D14/452  
D751,566 S \* 3/2016 Anderson ..... D14/452  
D762,652 S \* 8/2016 Dorre ..... D14/452  
D796,519 S \* 9/2017 Hung ..... D14/452  
D805,085 S \* 12/2017 Xiang ..... D14/452  
D807,373 S \* 1/2018 Thetard ..... D14/452  
D815,105 S \* 4/2018 Jung ..... D14/452  
D815,643 S \* 4/2018 Bowman ..... D14/452

(Continued)

(\*\*) Term: **15 Years**  
(21) Appl. No.: **29/728,534**  
(22) Filed: **Mar. 19, 2020**

(30) **Foreign Application Priority Data**

Nov. 27, 2019 (CN) ..... 201930656331.4

(51) **LOC (13) Cl.** ..... **14-02**  
(52) **U.S. Cl.**

USPC ..... **D14/452**; D14/451

(58) **Field of Classification Search**

USPC ..... D14/451-452

CPC ..... F16M 11/2085; F16M 11/2092; F16M 11/2007; F16M 11/2014; F16M 11/2021; F16M 11/2028; F16M 11/2035; F16M 11/2042; F16M 11/205; F16M 11/2057; F16M 11/2064; F16M 11/2071; F16M 11/2078; G06F 1/1616

See application file for complete search history.

(56) **References Cited**

**U.S. PATENT DOCUMENTS**

D555,657 S \* 11/2007 Loyd ..... D14/452  
D557,125 S \* 12/2007 Worrall ..... D14/452  
D598,917 S \* 8/2009 Luber ..... D14/375  
D631,052 S \* 1/2011 Hung ..... D14/452  
D654,503 S \* 2/2012 Sapper ..... D14/452  
D666,207 S \* 8/2012 Brandt ..... D14/452  
D679,282 S \* 4/2013 Liu ..... D14/452  
D688,674 S \* 8/2013 Lau ..... D14/452

**OTHER PUBLICATIONS**

“VIVO Height Adjustable Monitor Arm . . .”, first available Dec. 28, 2016, amazon.com, [online], [site visited Nov. 1, 2021], Available from internet URL: [https://www.amazon.com/VIVO-Adjustable-Articulating-Counterbalance-STAND-V0010/dp/B01NH0HTM5\(Year: 2016\).\\*](https://www.amazon.com/VIVO-Adjustable-Articulating-Counterbalance-STAND-V0010/dp/B01NH0HTM5(Year: 2016).*)

(Continued)

*Primary Examiner* — Christian P. McLean

*Assistant Examiner* — Kourosch Taie-Tehrani

(74) *Attorney, Agent, or Firm* — Knobbe Martens Olson & Bear LLP

(57) **CLAIM**

The ornamental design for a monitor arm, as shown and described.

**DESCRIPTION**

FIG. 1 is a perspective view of the monitor arm embodying the new design;

FIG. 2 is a left side view thereof;

FIG. 3 is a right side view thereof;

FIG. 4 is a back view thereof;

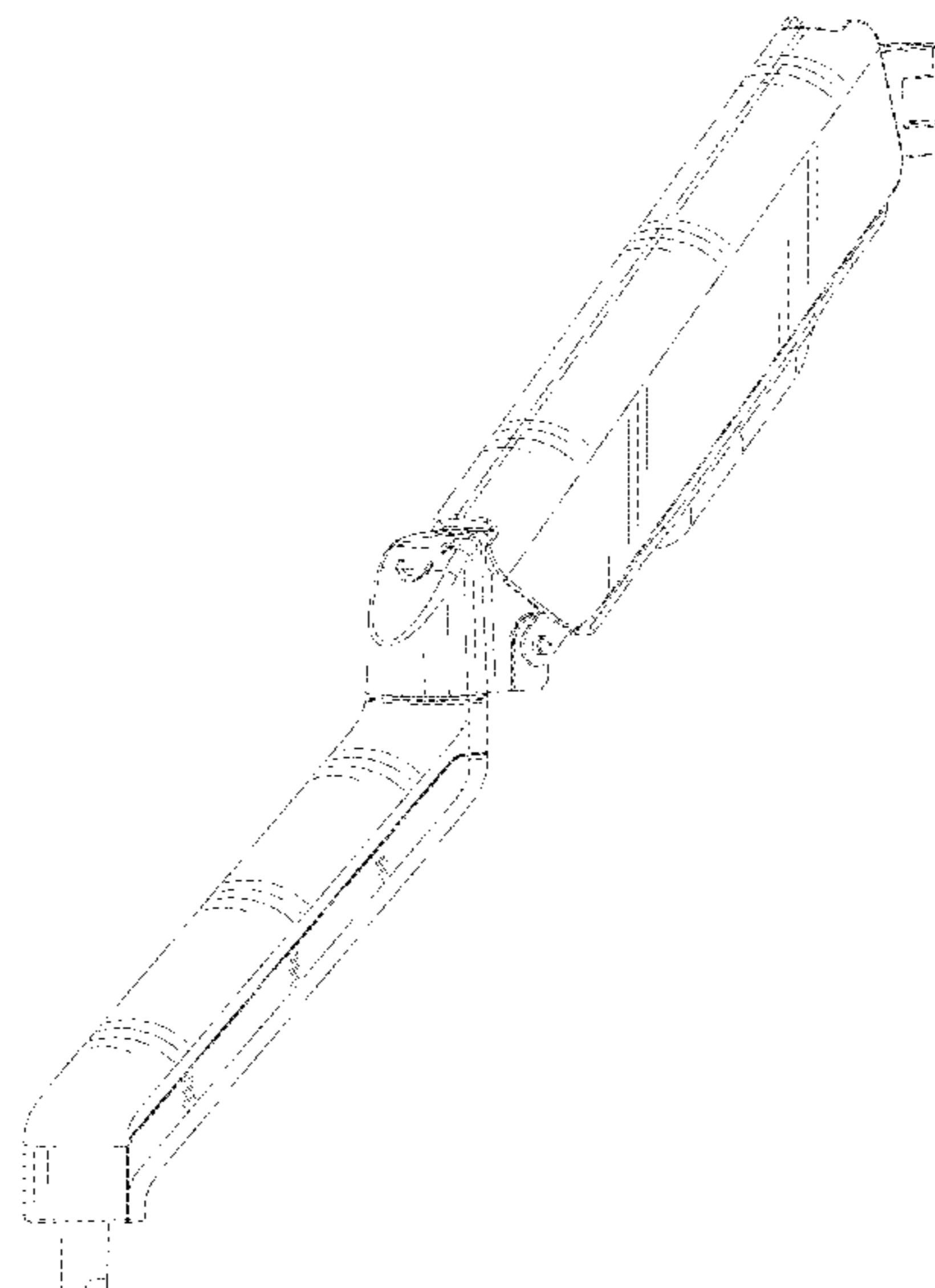
FIG. 5 is a front view thereof;

FIG. 6 is a top view thereof; and,

FIG. 7 is a bottom view thereof.

Broken lines are used to illustrate features of the monitor arm that form no part of the claimed design.

**1 Claim, 7 Drawing Sheets**



(56)

**References Cited**

## U.S. PATENT DOCUMENTS

D822,671	S	*	7/2018	Chu	.....	D14/452
D830,371	S	*	10/2018	Lau	.....	D14/452
D834,030	S	*	11/2018	Lindo	.....	D14/452
D842,306	S	*	3/2019	Lindo	.....	D14/452
D843,379	S	*	3/2019	Lindo	.....	D14/452
D843,380	S	*	3/2019	Lindo	.....	D14/452
D847,823	S	*	5/2019	Monsalve	.....	D14/452
D848,444	S	*	5/2019	Jung	.....	D14/452
D849,013	S	*	5/2019	Monsalve	.....	D14/452
D877,744	S	*	3/2020	Xiang	.....	D14/452
D896,817	S	*	9/2020	McKay	.....	D14/452
D916,709	S	*	4/2021	Hung	.....	D14/452
D918,218	S	*	5/2021	Lyu	.....	D14/452
D919,631	S	*	5/2021	Shu	.....	D14/452
D920,988	S	*	6/2021	Shu	.....	D14/452
D921,645	S	*	6/2021	Shu	.....	D14/452
D922,394	S	*	6/2021	Lu	.....	D14/452
D926,196	S	*	7/2021	Lyu	.....	D14/452
D926,776	S	*	8/2021	You	.....	D14/452
D928,793	S	*	8/2021	Shu	.....	D14/452

## OTHER PUBLICATIONS

Youtube Video entitled STAND-V0010 Single Monitor Desk Mount, uploaded to VIVO's Youtube Channel on Nov. 8, 2017, accessed on Feb. 7, 2022 (available at <https://www.youtube.com/watch?y=Nf9xelHgZbg>).

\* cited by examiner

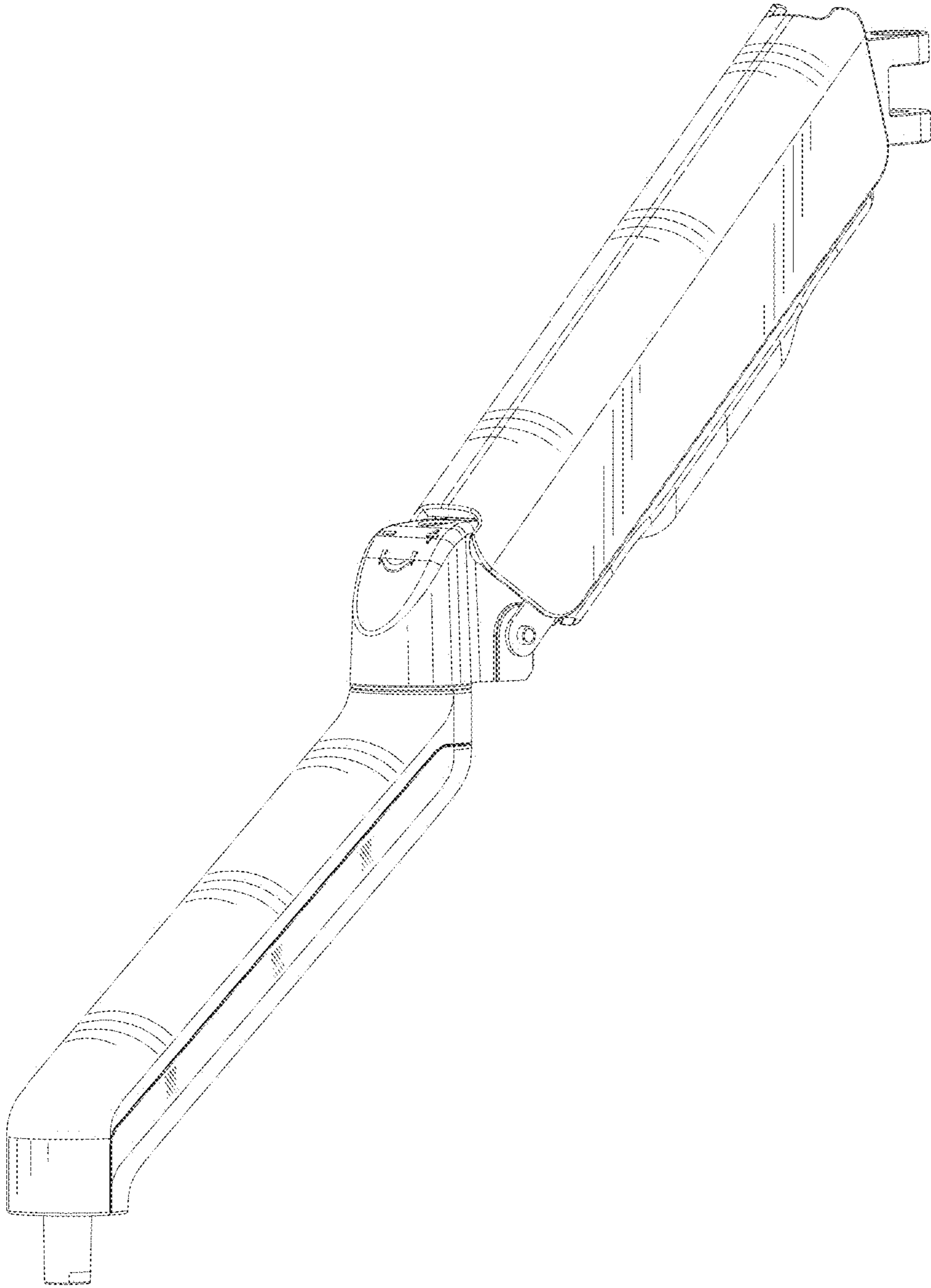


Fig.1

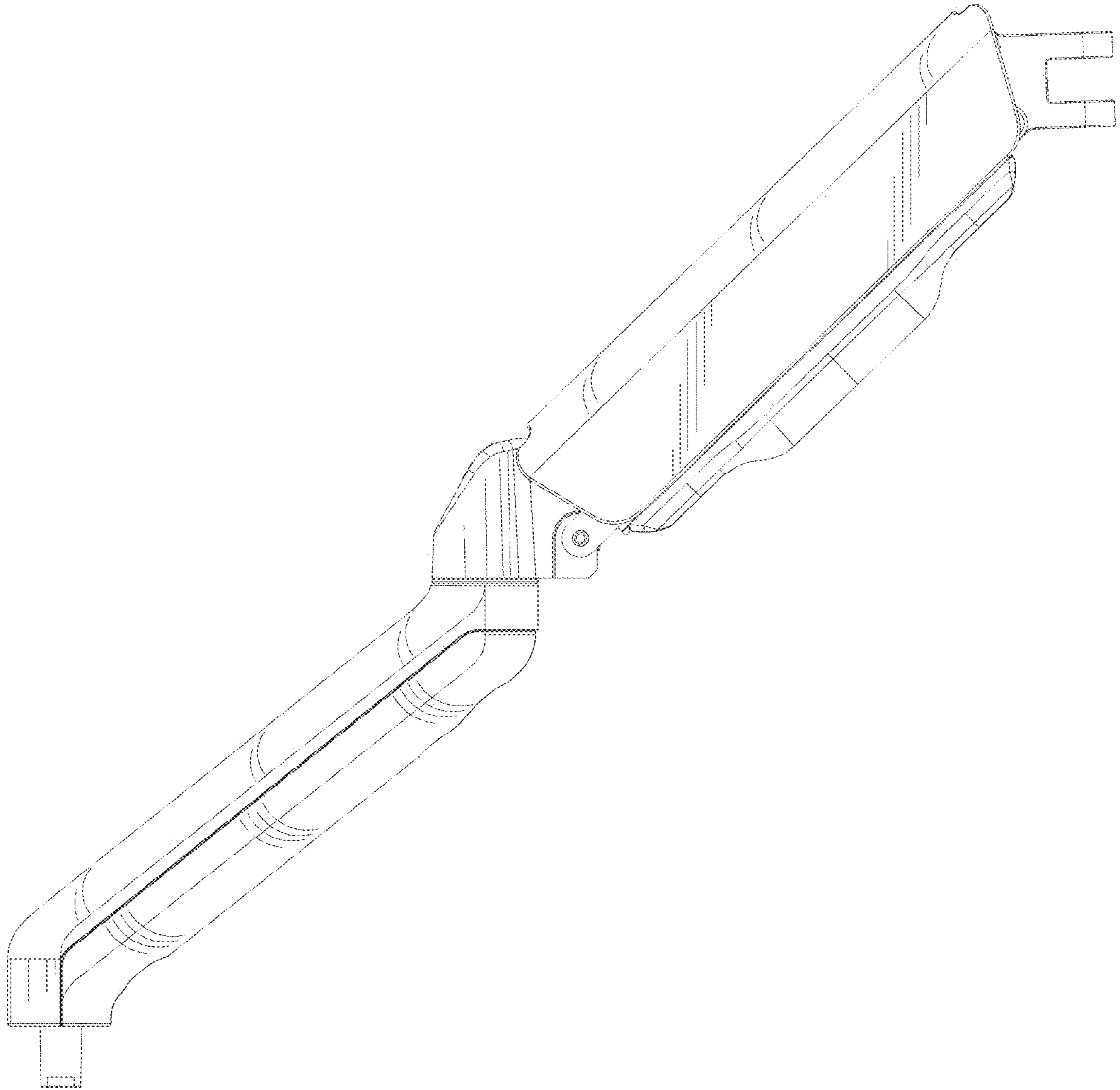


Fig.2

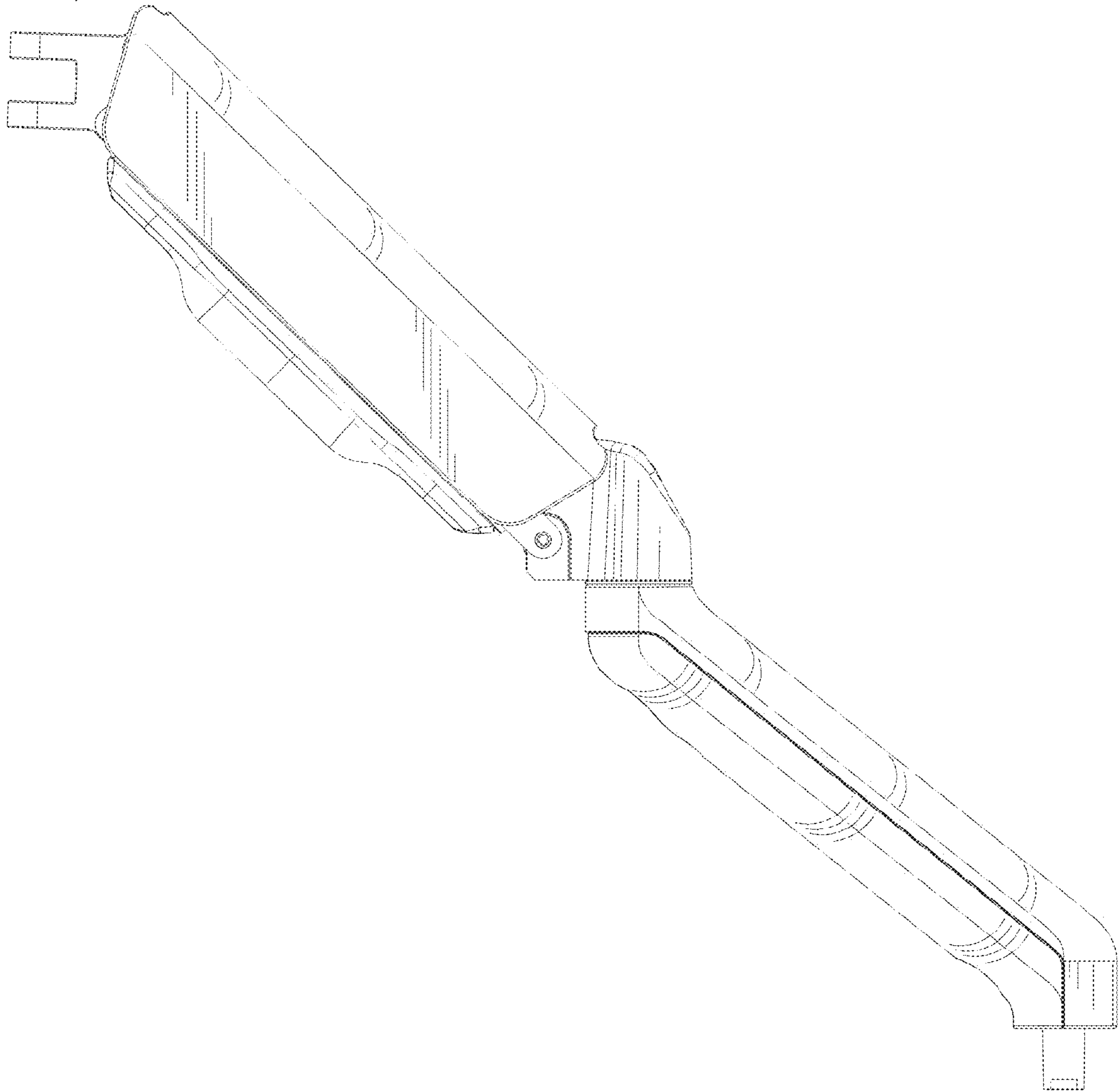


Fig.3

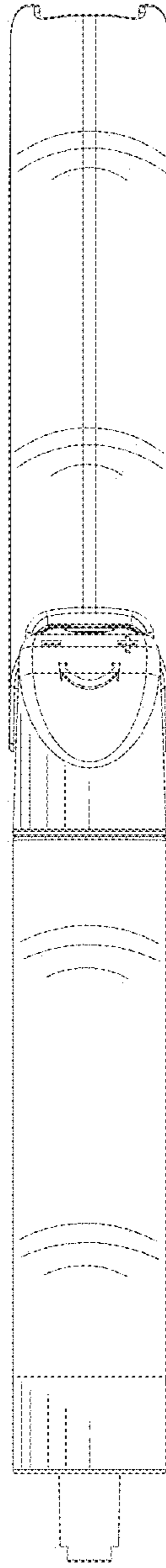


Fig.4

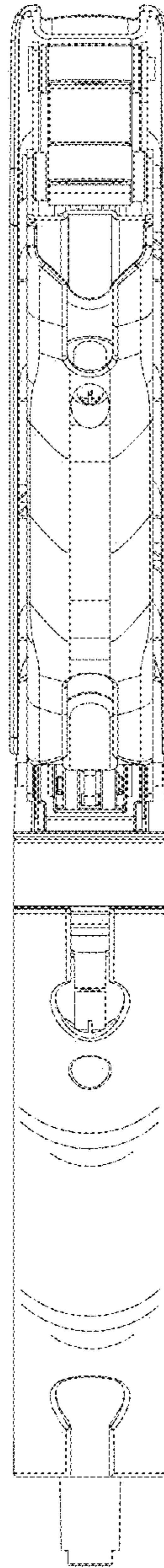


Fig.5

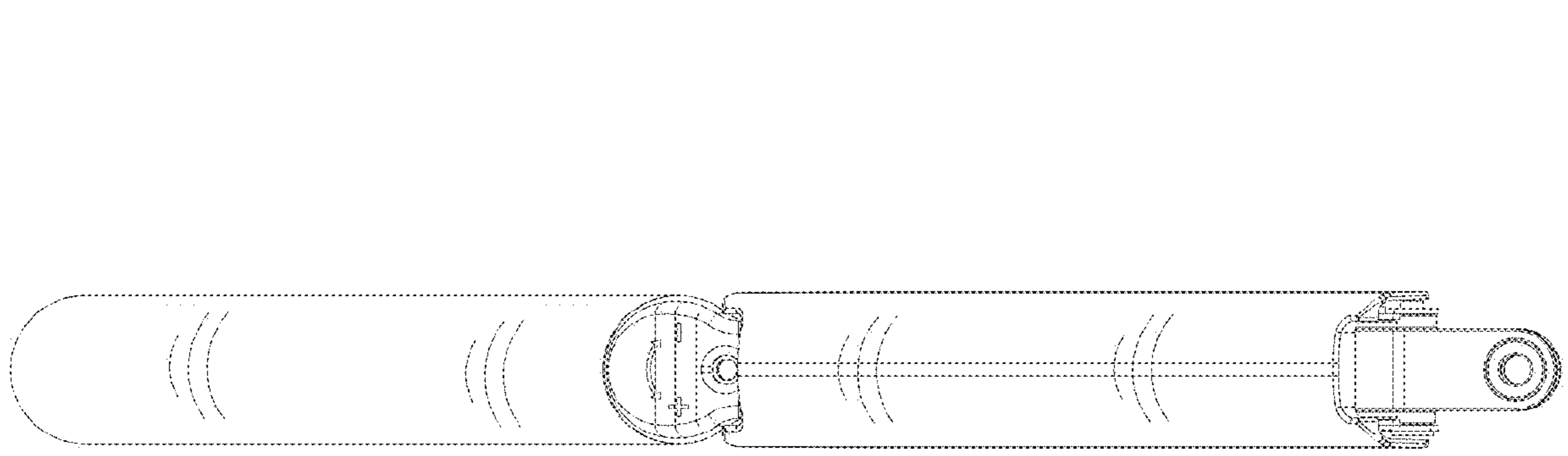


Fig.6



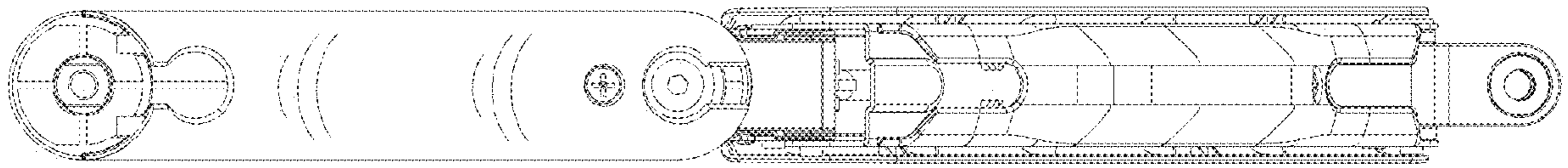


Fig.7