



US00D951961S

(12) **United States Design Patent** (10) **Patent No.:** **US D951,961 S**
Natsume et al. (45) **Date of Patent:** **** May 17, 2022**

(54) **HEAD STRAP**

(71) Applicant: **Magic Leap, Inc.**, Plantation, FL (US)

(72) Inventors: **Shigeru Natsume**, Weston, FL (US);
Masamune Kaji, Plantation, FL (US);
Sarah Hoit, Fort Lauderdale, FL (US);
James William Palmer, Miami, FL
(US); **Jason Paul Hale**, Pembroke
Pines, FL (US); **Donald W. Burnette**,
Plantation, FL (US)

(73) Assignee: **Magic Leap, Inc.**, Plantation, FL (US)

(**) Term: **15 Years**

(21) Appl. No.: **29/722,585**

(22) Filed: **Jan. 30, 2020**

(51) **LOC (13) Cl.** **14-02**

(52) **U.S. Cl.**
USPC **D14/451**; D14/372; D14/432; D2/891

(58) **Field of Classification Search**
USPC ... D14/372, 496, 432, 299, 344, 480.3, 451,
D14/448; D16/300-342; D29/102;
D21/420, 324, 333; D2/891
CPC G02B 2027/0132; G02B 27/017; G02B
27/0189; G06F 1/163
See application file for complete search history.

(56) **References Cited**

U.S. PATENT DOCUMENTS

D379,860	S	*	6/1997	Levin	D2/891
D589,686	S	*	4/2009	Lowe	D2/877
D645,862	S	*	9/2011	Paul	D14/372
D791,126	S	*	7/2017	Sullivan	D14/372
D815,092	S	*	4/2018	Liao	D14/372
D838,719	S	*	1/2019	Wei	D14/372
D839,269	S	*	1/2019	Wang	D14/372
10,345,852	B2	*	7/2019	Yang	G06F 1/163
D858,521	S	*	9/2019	Neil	D14/372
D865,763	S	*	11/2019	Lau	D14/372

D883,280	S	*	5/2020	Shao	D14/372
D883,979	S	*	5/2020	Chen	D14/372
D898,025	S	*	10/2020	Bhat	D14/372
D898,738	S	*	10/2020	Denhez	D14/372
D900,095	S	*	10/2020	Wang	D14/372
D918,200	S	*	5/2021	Natsume	D14/372
D918,202	S	*	5/2021	Natsume	D14/372
D918,906	S	*	5/2021	Natsume	D14/372
11,036,052	B1	*	6/2021	Bristol	G02B 27/0176
11,042,130	B2	*	6/2021	Aghara	A61B 5/6803
11,048,094	B2	*	6/2021	Bae	G06F 1/163
D924,234	S	*	7/2021	Meng	D14/372
D925,528	S	*	7/2021	Bristol	D14/372

(Continued)

FOREIGN PATENT DOCUMENTS

GB 2590945 A * 7/2021 B68B 5/08

Primary Examiner — Kathleen L Jones

(74) *Attorney, Agent, or Firm* — Fish & Richardson P.C.

(57) **CLAIM**

The ornamental design for a head strap, as shown and described.

DESCRIPTION

FIG. 1 is a top perspective view of the head strap showing our new design within a broken line environment of use of a headset wherein the entire headset forms no part of the claimed design.

FIG. 2 is a front elevation view thereof.

FIG. 3 is a back elevation view thereof.

FIG. 4 is a left side elevation view thereof.

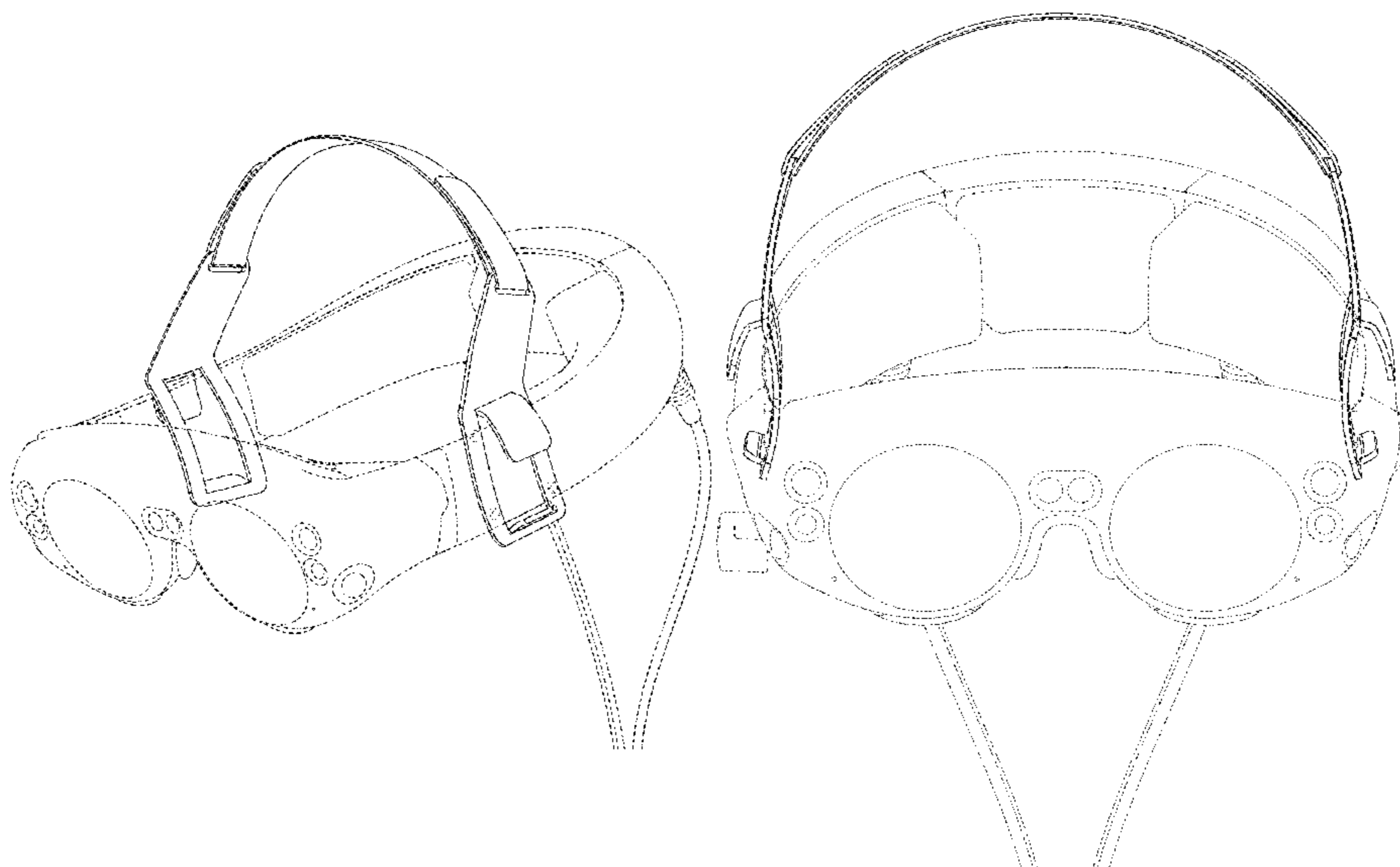
FIG. 5 is a right side elevation view thereof.

FIG. 6 is a top plan view thereof; and,

FIG. 7 is a bottom plan view thereof.

The broken lines in the drawings showing an environment of use of a headset are included for the purpose of illustrating environmental subject matter and form no part of the claimed design.

1 Claim, 7 Drawing Sheets



(56)

References Cited

U.S. PATENT DOCUMENTS

D928,151 S * 8/2021 Hu D14/372
D929,402 S * 8/2021 Jiang D14/372
11,080,937 B2 * 8/2021 Holz G02B 27/017
11,099,376 B1 * 8/2021 Steier A61B 90/30
D932,488 S * 10/2021 Huang D14/372
11,143,877 B2 * 10/2021 Kamiya G02B 27/0176
D937,262 S * 11/2021 Chi D14/372
11,163,333 B2 * 11/2021 Lin H04N 5/7491
11,176,860 B1 * 11/2021 Sears G02B 30/24
2021/0170703 A1 * 6/2021 Jenkins B29C 39/40
2021/0181857 A1 * 6/2021 Marcolina G06T 19/006
2021/0195732 A1 * 6/2021 Longinotti-Buitoni
A61B 5/7278
2021/0211640 A1 * 7/2021 Bristol H04R 1/1058
2021/0216099 A1 * 7/2021 Goodner G06F 1/163
2021/0281797 A1 * 9/2021 French H01Q 1/273
2021/0302750 A1 * 9/2021 Law G02B 27/0176
2021/0303025 A1 * 9/2021 Chi G06F 1/182
2021/0338082 A1 * 11/2021 Steier G02C 11/04
2021/0350574 A1 * 11/2021 Sours G09G 5/003

* cited by examiner

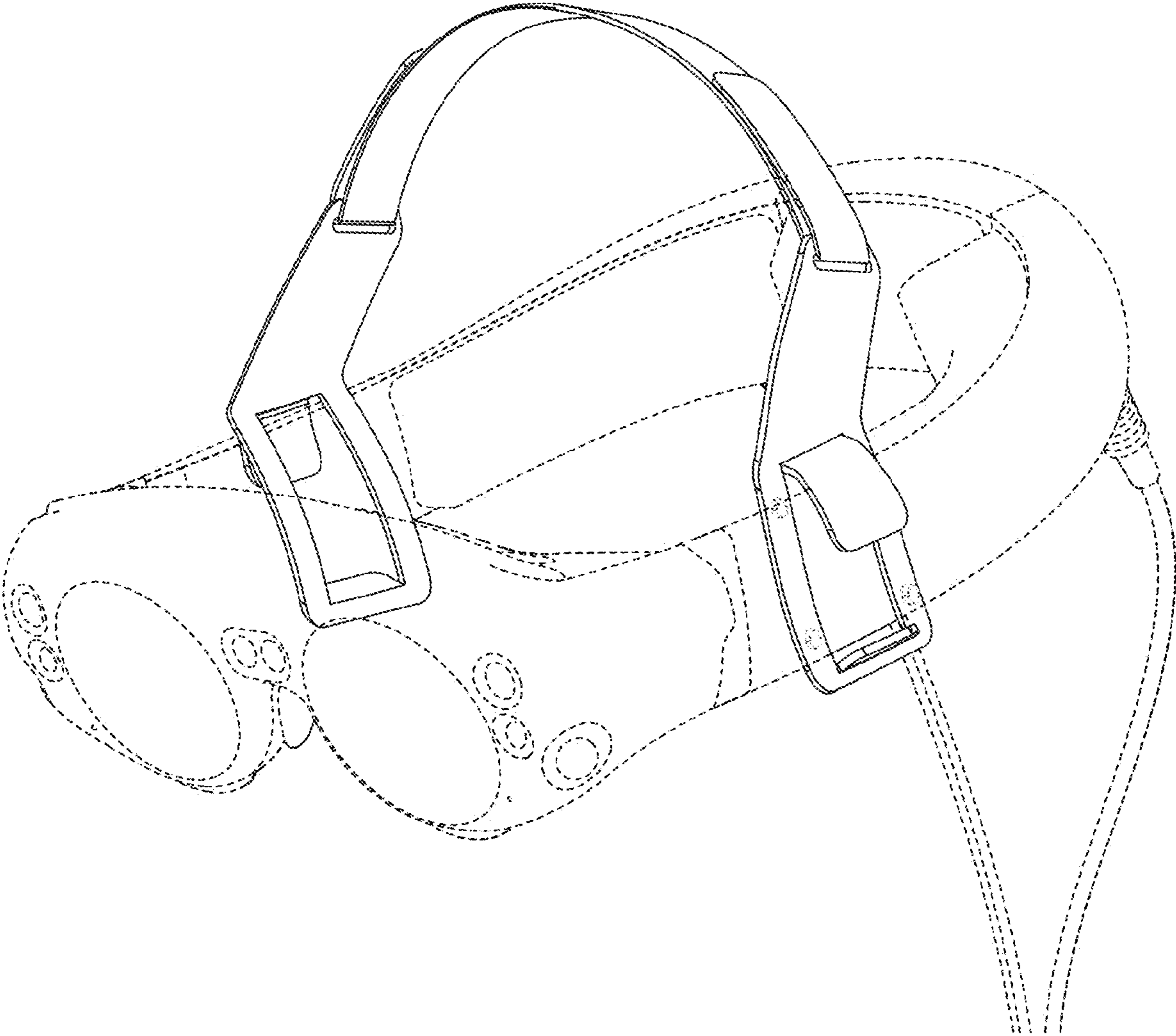


FIG. 1

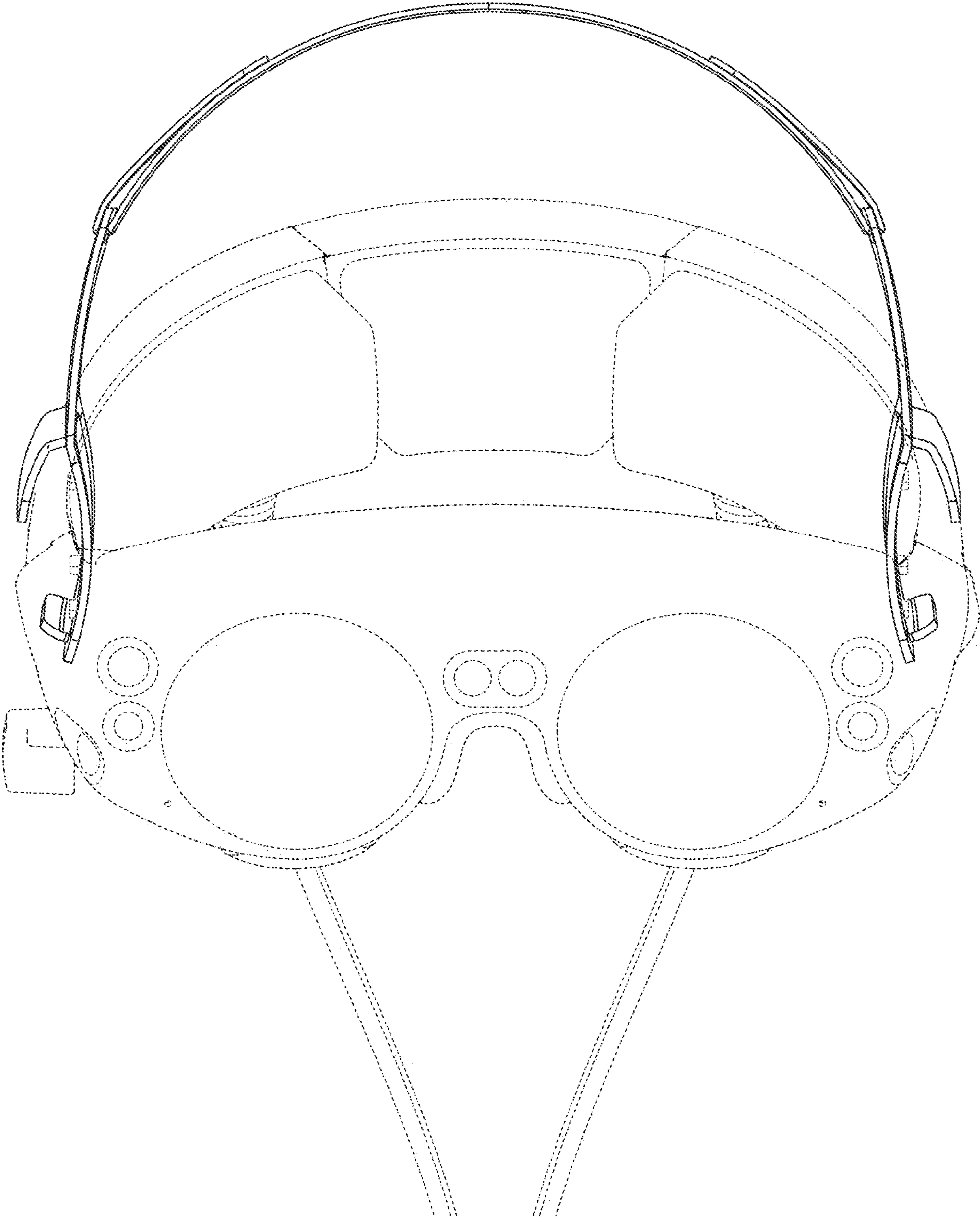


FIG. 2



FIG. 3

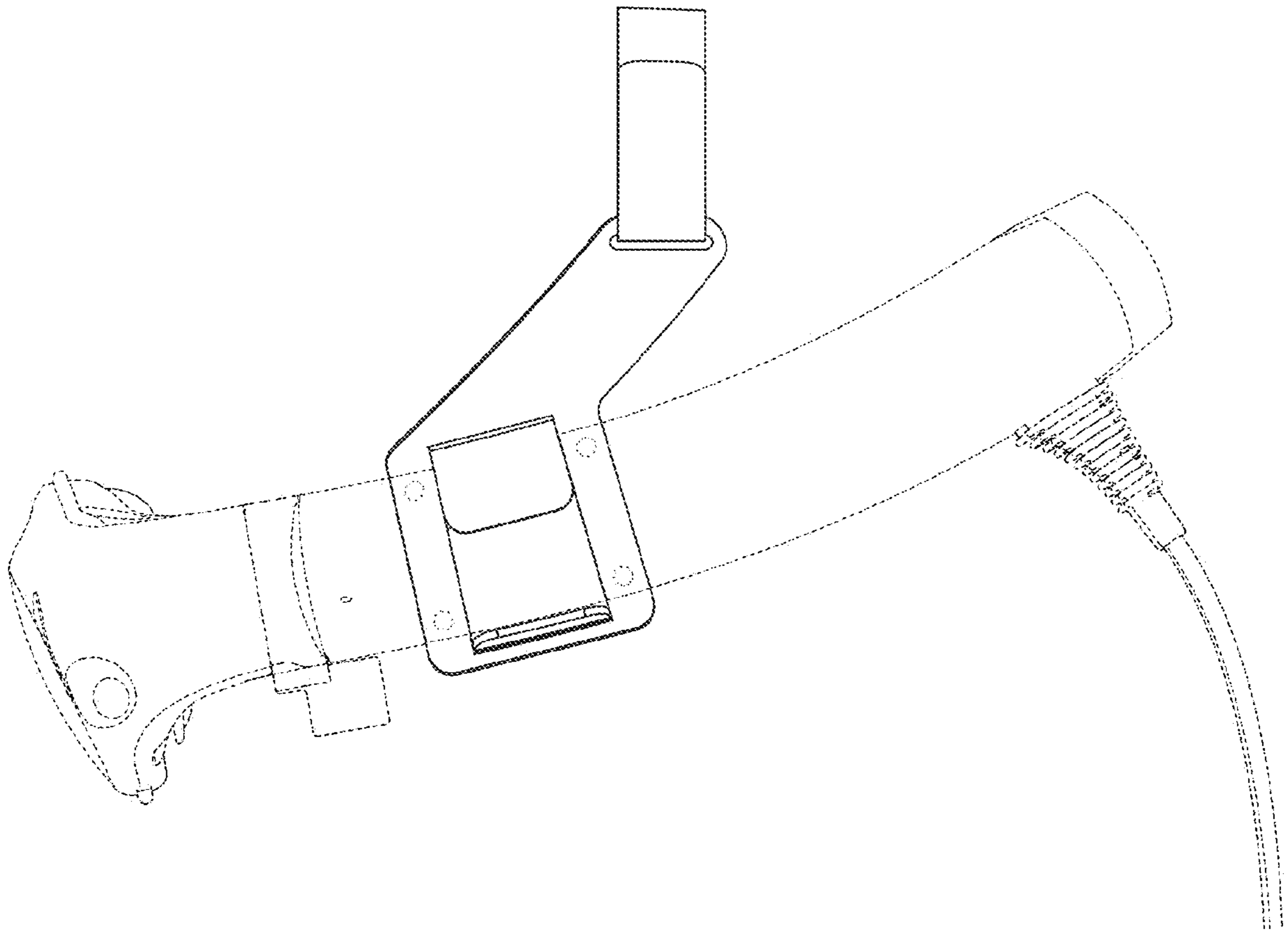


FIG. 4

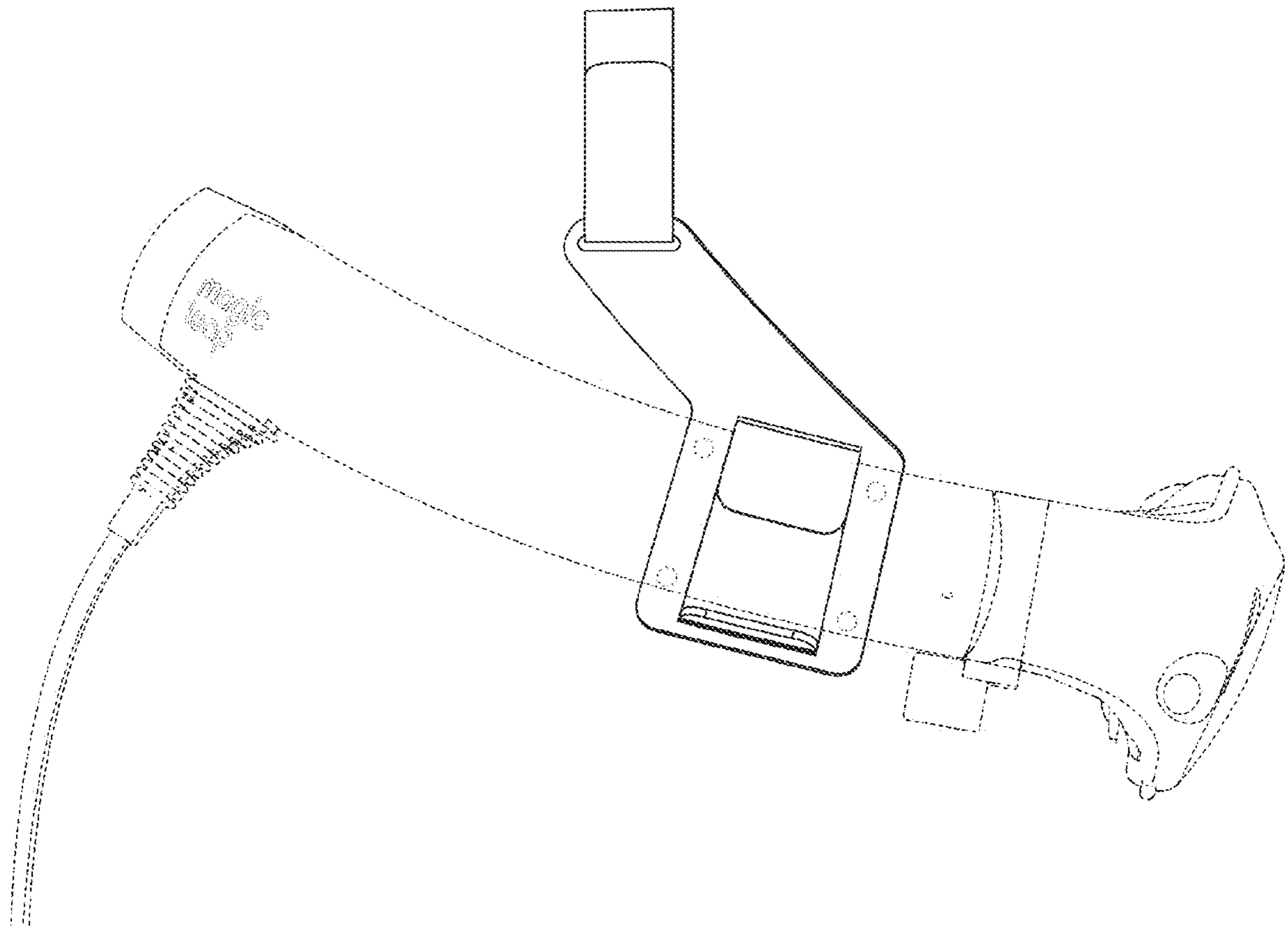


FIG. 5

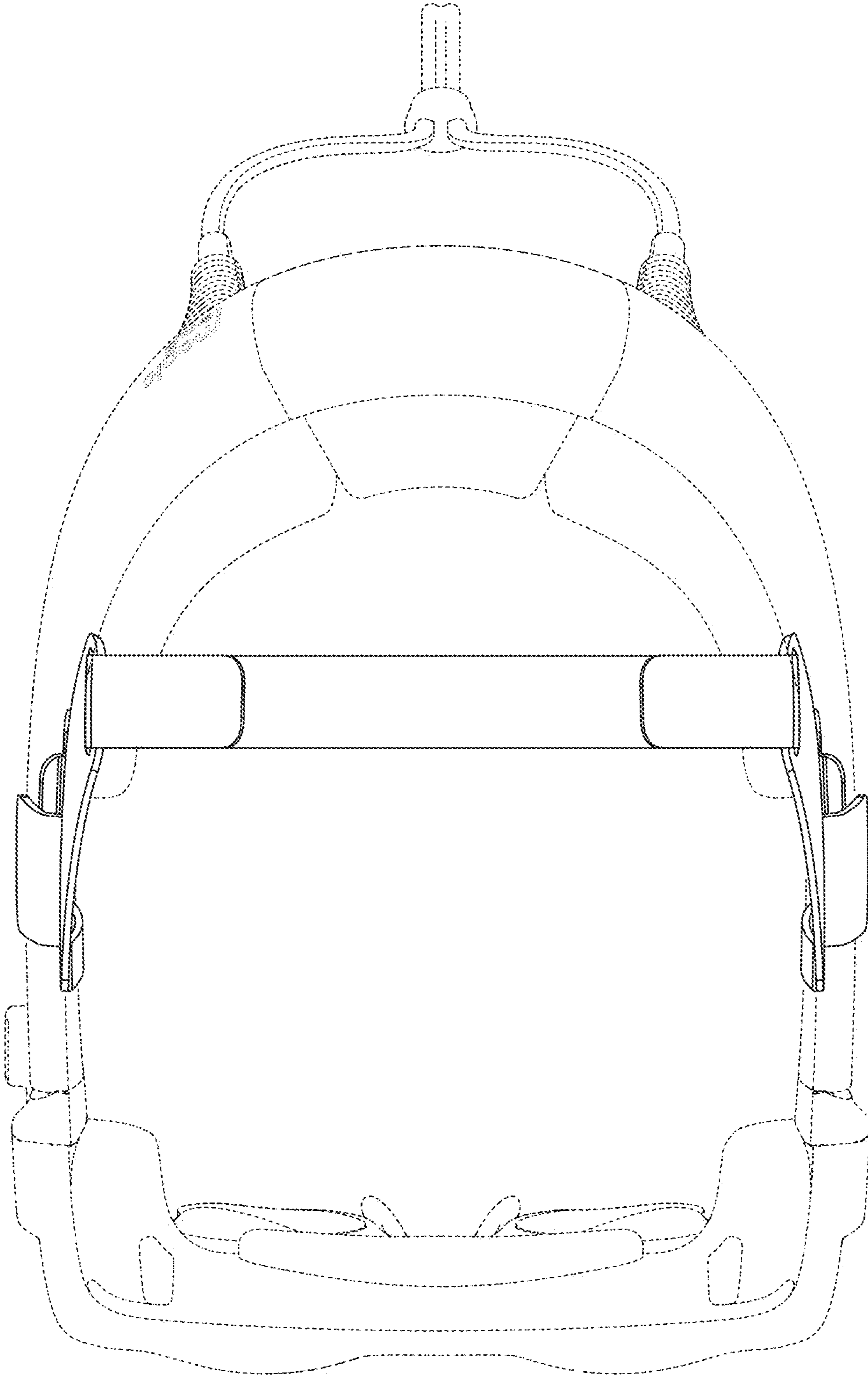


FIG. 6

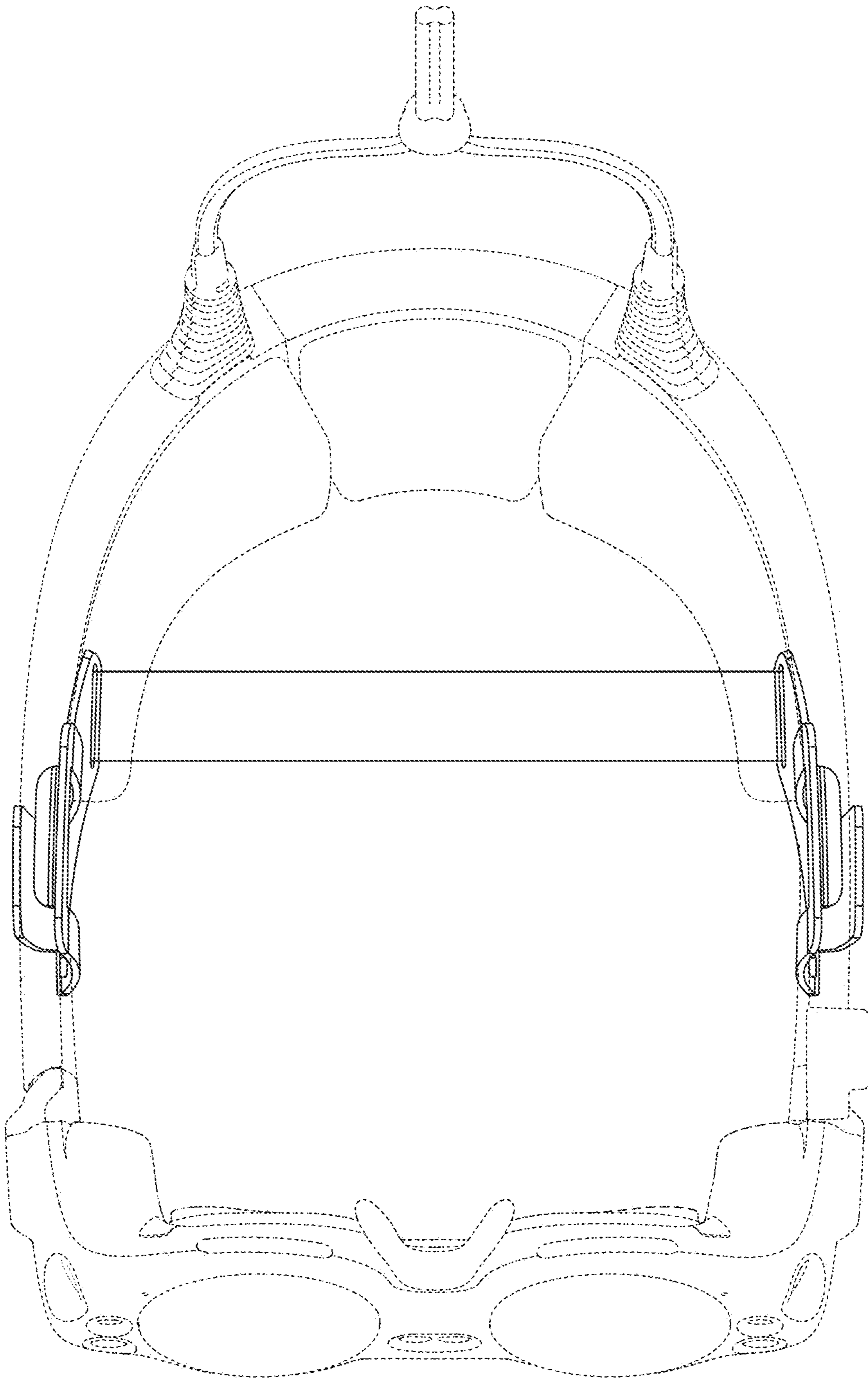


FIG. 7