

US00D951960S

(12) **United States Design Patent**
Shen

(10) **Patent No.:** **US D951,960 S**

(45) **Date of Patent:** **** May 17, 2022**

(54) **LAPTOP STAND**

(71) Applicant: **Shenzhen Cangjiu Electronic Technology Co. Ltd, Shenzhen (CN)**

(72) Inventor: **Linbin Shen, Shenzhen (CN)**

(**) Term: **15 Years**

(21) Appl. No.: **29/780,480**

(22) Filed: **Apr. 25, 2021**

(51) **LOC (13) Cl.** **14-02**

(52) **U.S. Cl.**
USPC **D14/447**

(58) **Field of Classification Search**
USPC D14/447, 432, 434, 439, 440, 451, 452,
D14/457, 239, 253, 250; D8/363, 373,
D8/380; D6/406.3, 406.4, 406.5, 406.6;
D12/415; D21/333, 332
CPC A47B 21/04; A47B 2097/006; A47B
2097/005; A47B 2023/049; A45C
2011/002; A45C 2011/003; F16M
2200/00; F16M 13/00
See application file for complete search history.

(56) **References Cited**

U.S. PATENT DOCUMENTS

D589,964 S * 4/2009 Heggland D14/434
D624,922 S 10/2010 Hui
D683,348 S 5/2013 Xiang et al.
D708,187 S 7/2014 Xiang

D903,689 S * 12/2020 Zheng D14/447
D907,644 S * 1/2021 Li D14/447
D920,338 S * 5/2021 Chen D14/447
D923,631 S * 6/2021 Chen D14/447
D923,632 S * 6/2021 Li D14/447
D928,790 S * 8/2021 Hong D14/447
D936,662 S * 11/2021 Gao D14/447
D940,725 S * 1/2022 Jia D14/447
D942,463 S * 2/2022 Li D14/447
D943,597 S * 2/2022 Feng D14/447
D944,807 S * 3/2022 Luo D14/447
D944,808 S * 3/2022 Wang D14/447

* cited by examiner

Primary Examiner — Angela J Lee

(57) **CLAIM**

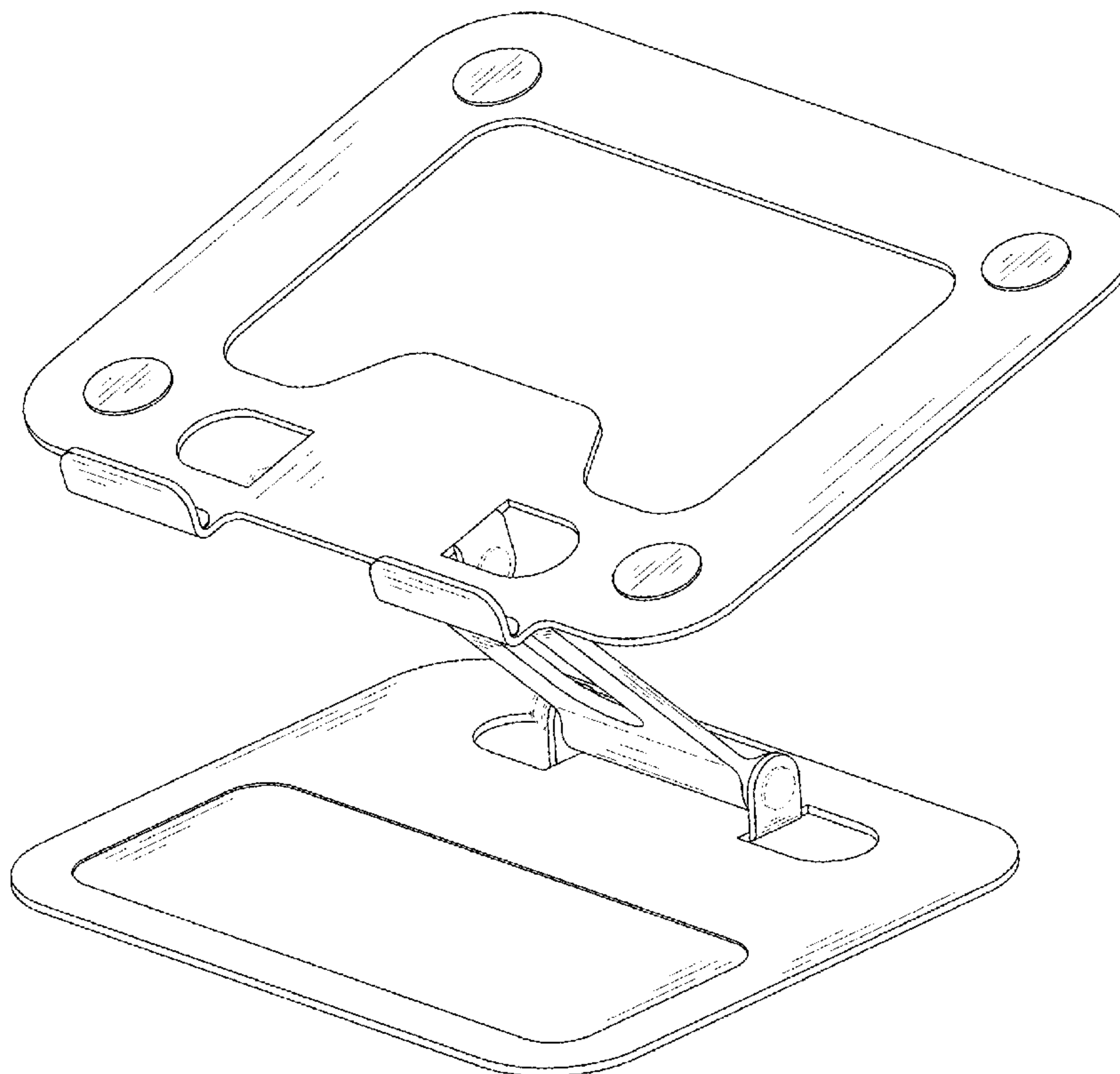
The ornamental design for a laptop stand, as shown and described.

DESCRIPTION

FIG. 1 is a first perspective view of a laptop stand showing my new design;
FIG. 2 is a second perspective view thereof;
FIG. 3 is a front view thereof;
FIG. 4 is a back view thereof;
FIG. 5 is a left side view thereof;
FIG. 6 is a right side view thereof;
FIG. 7 is a top view thereof; and,
FIG. 8 is a bottom view thereof.

The broken lines shown in the drawings depict portions of the laptop stand in which the design is embodied that form no part of the claimed design.

1 Claim, 8 Drawing Sheets



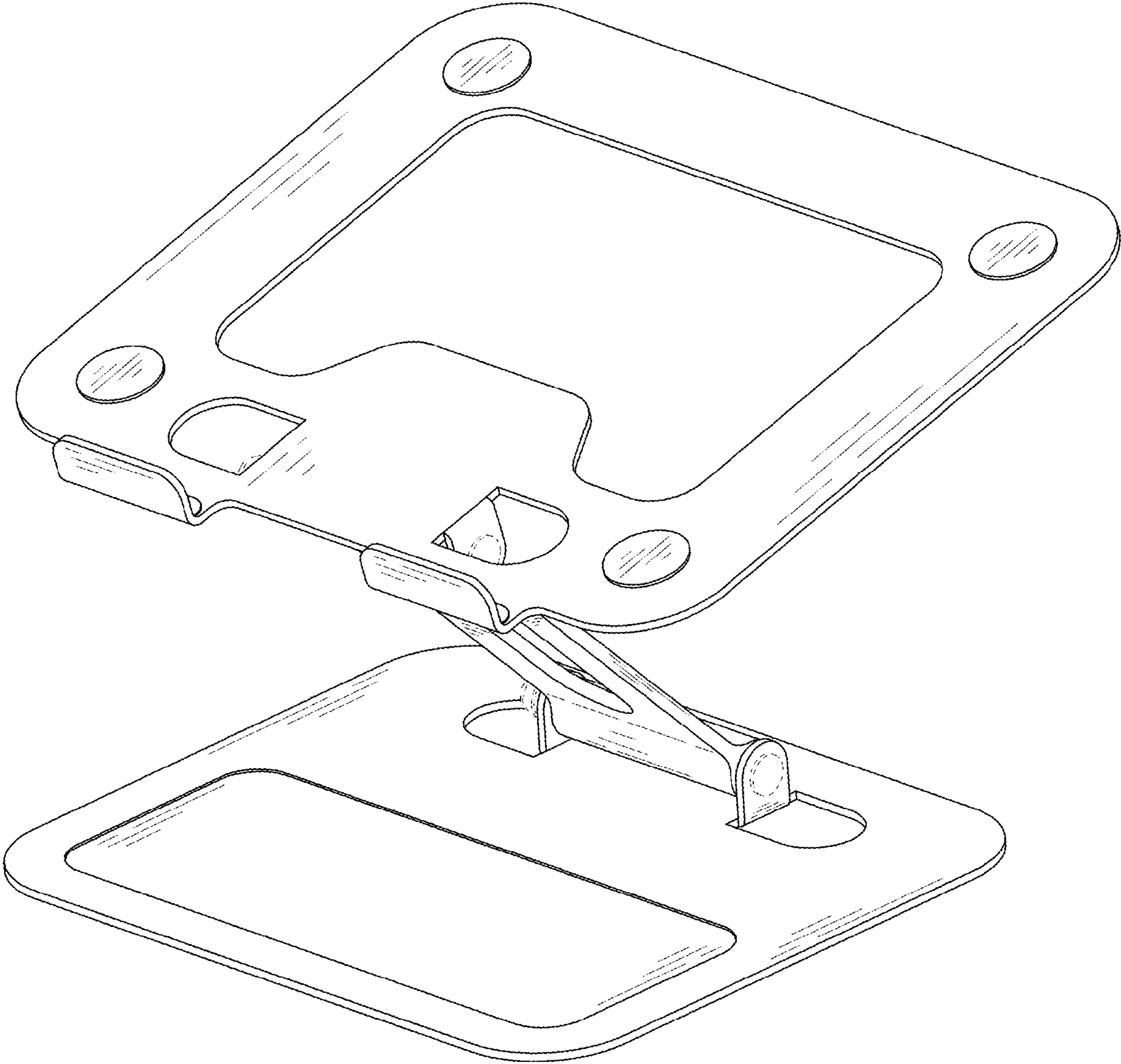


FIG. 1

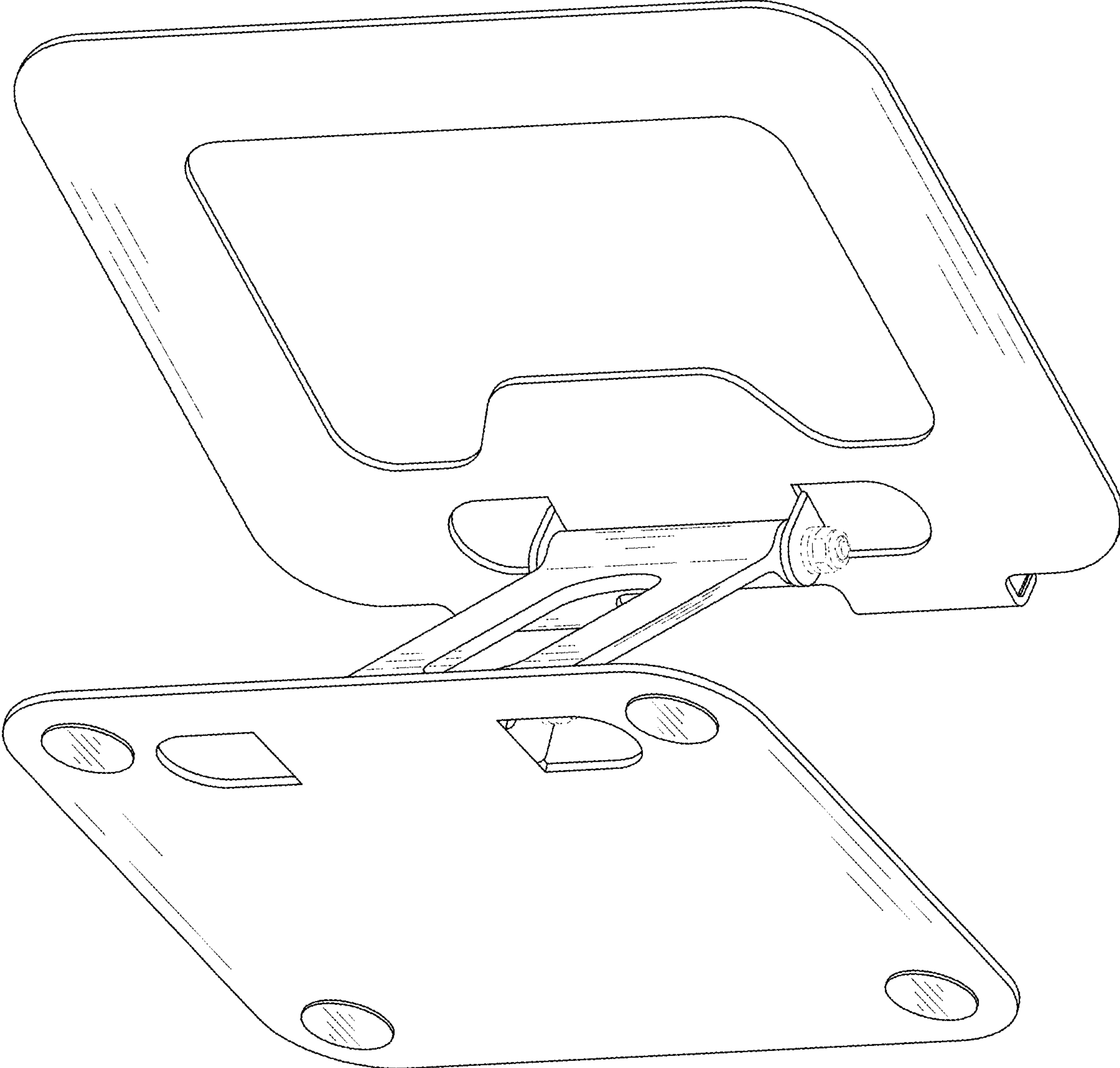


FIG. 2

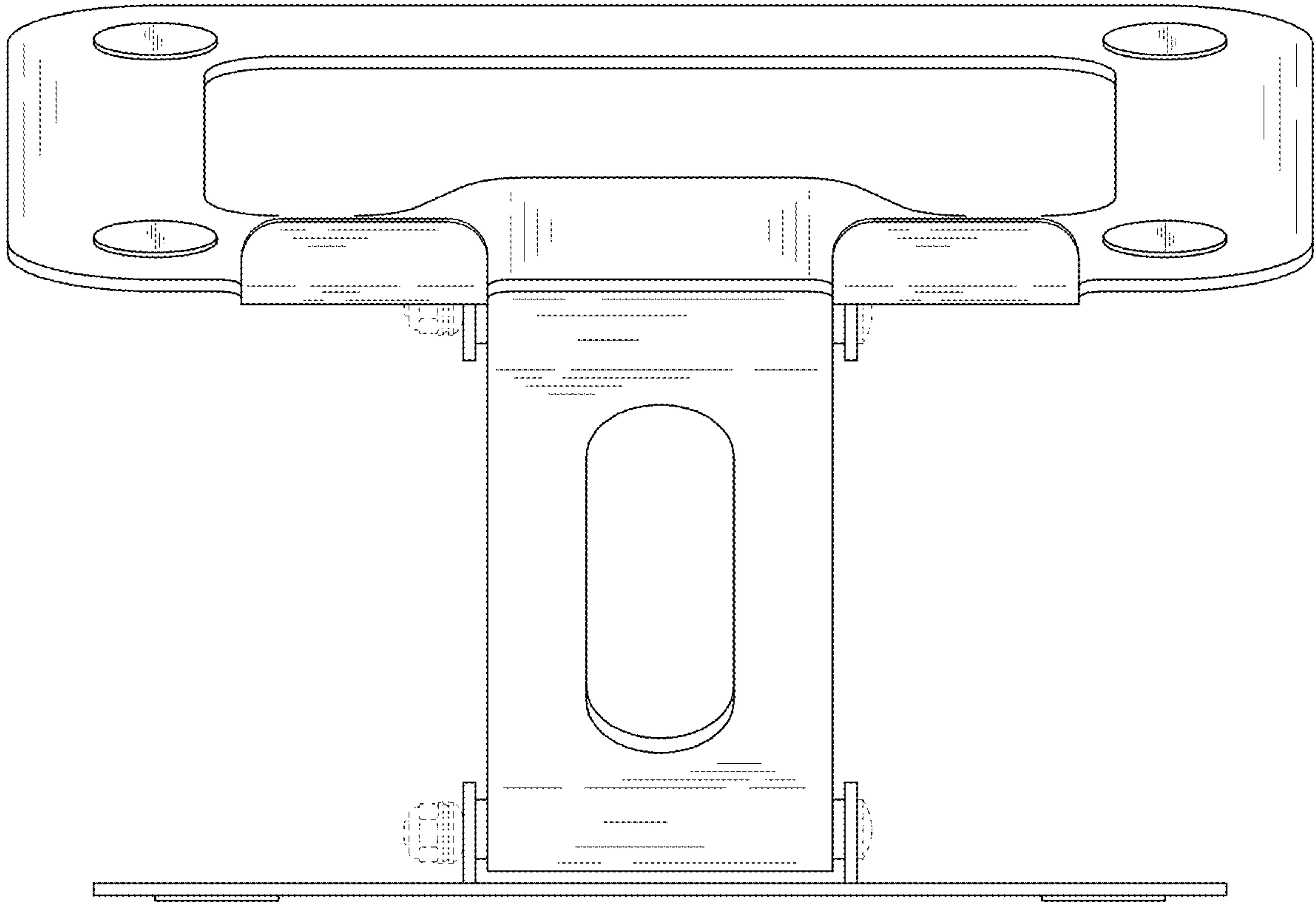


FIG. 3

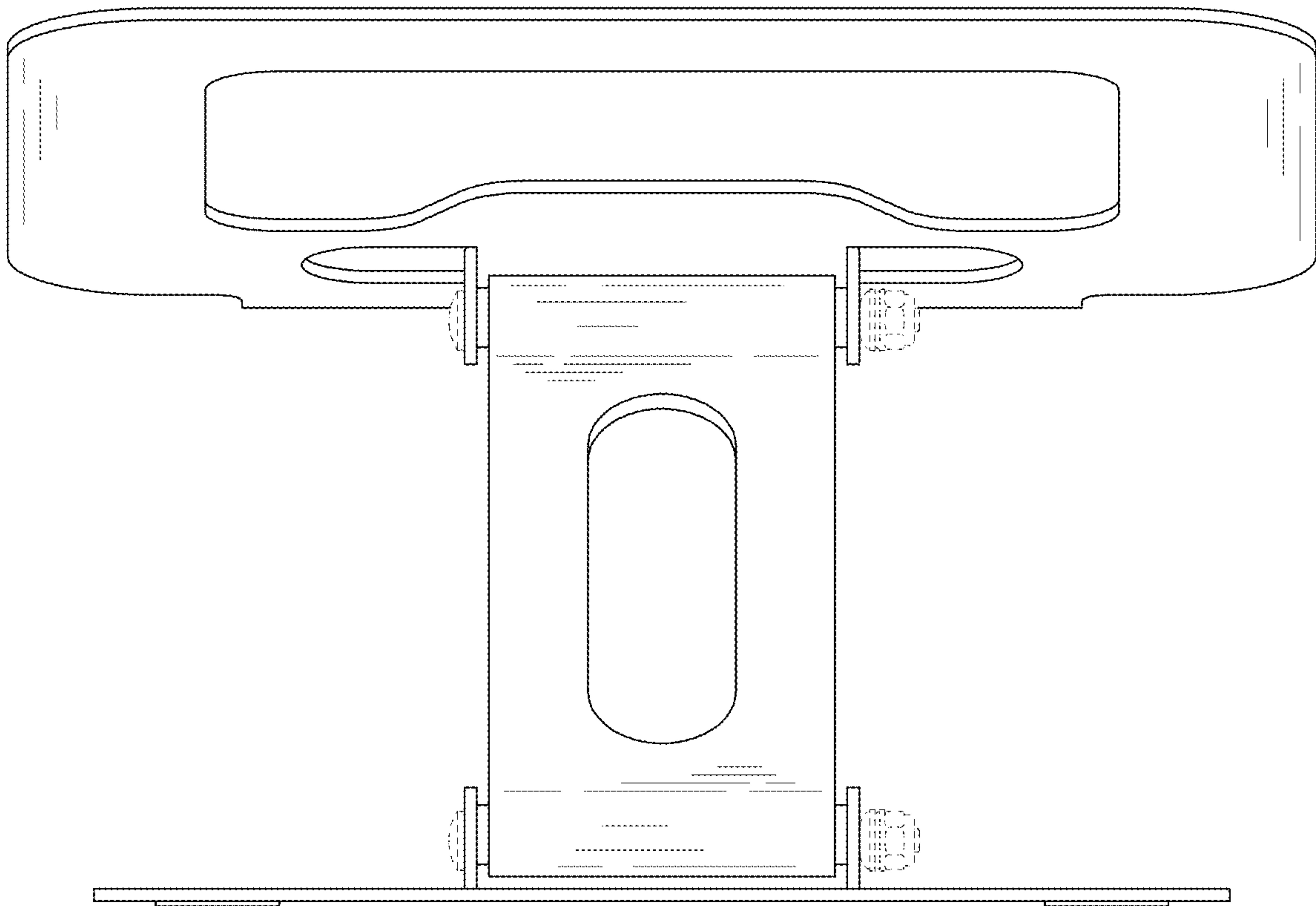


FIG. 4

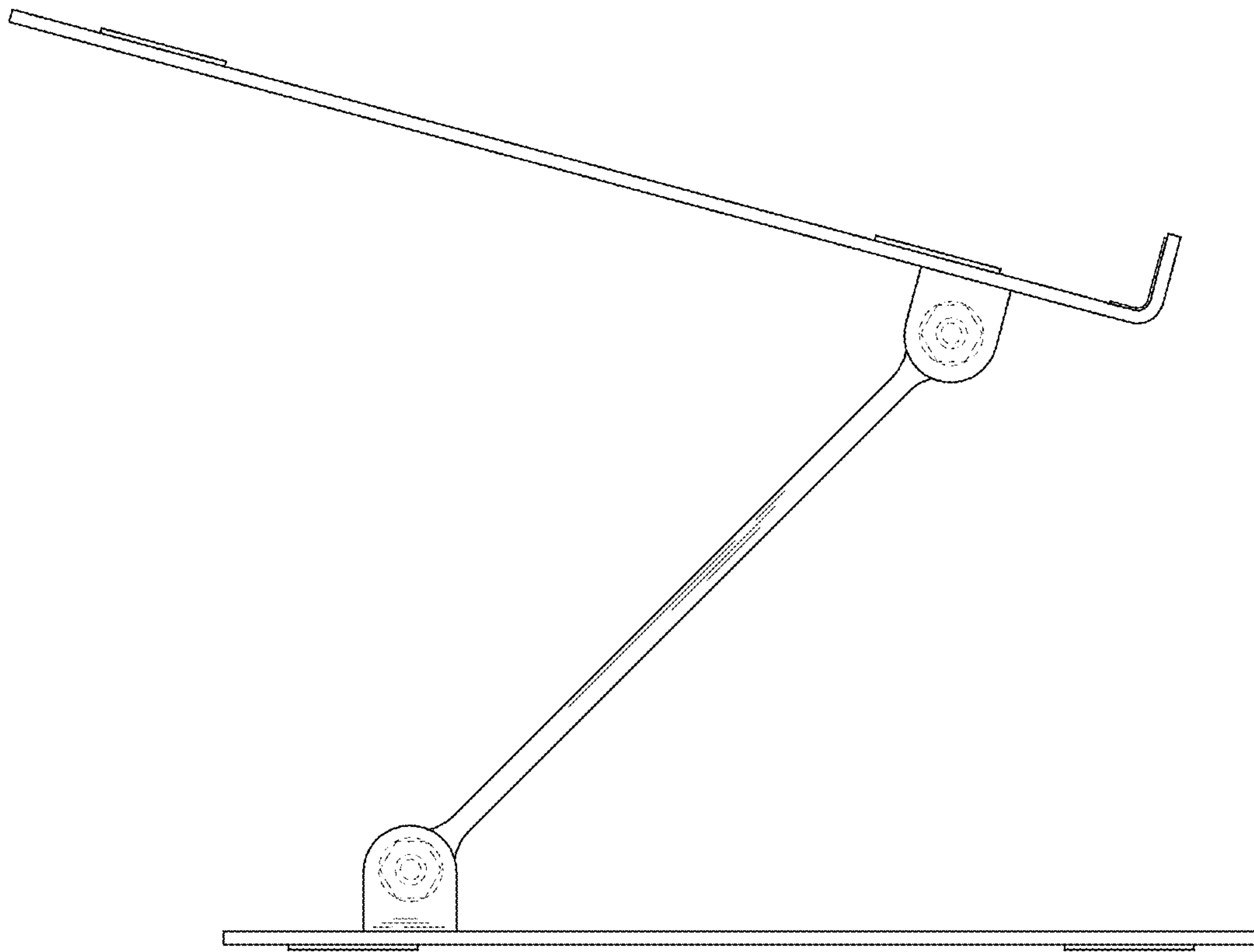


FIG. 5

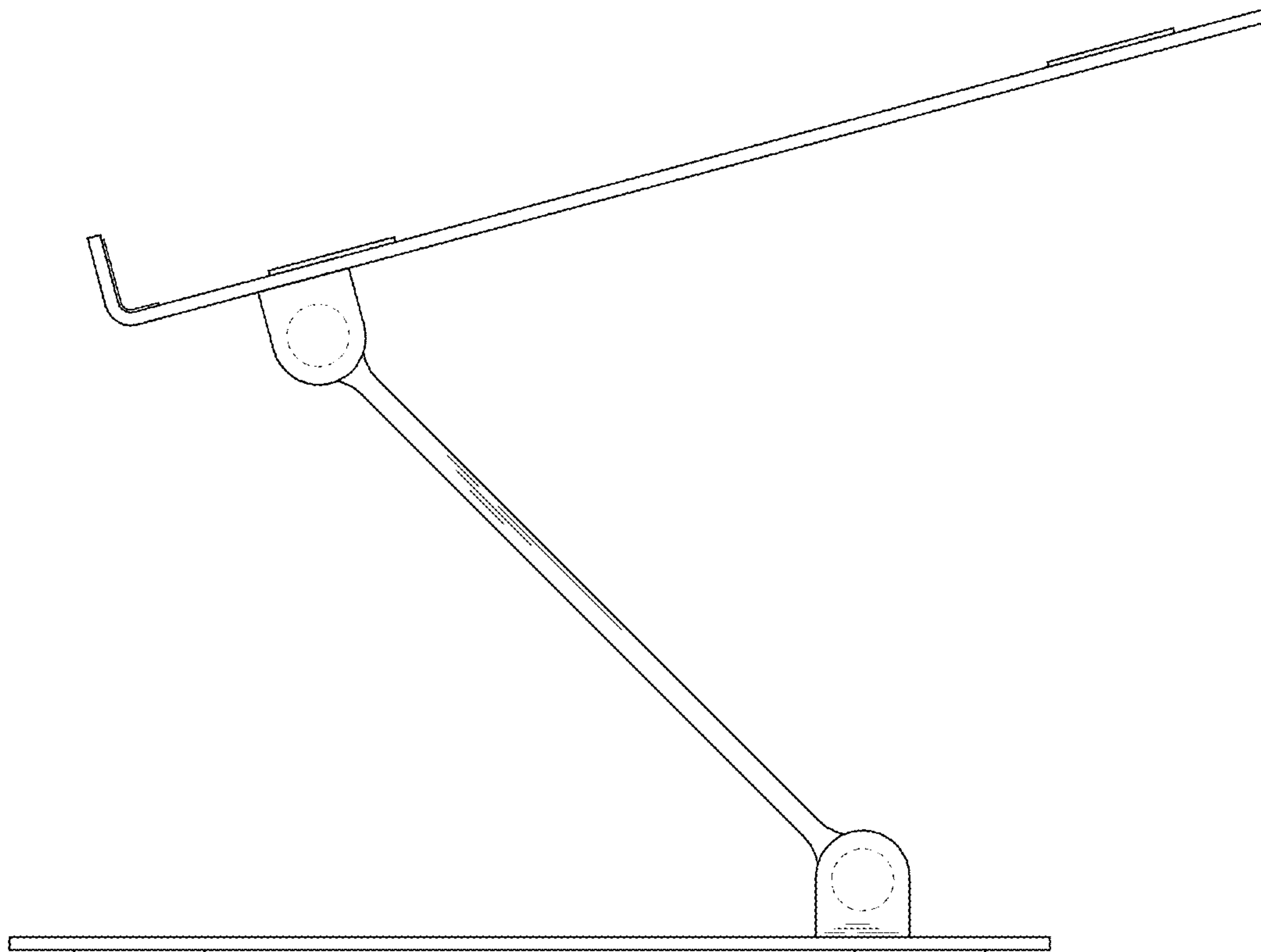


FIG. 6

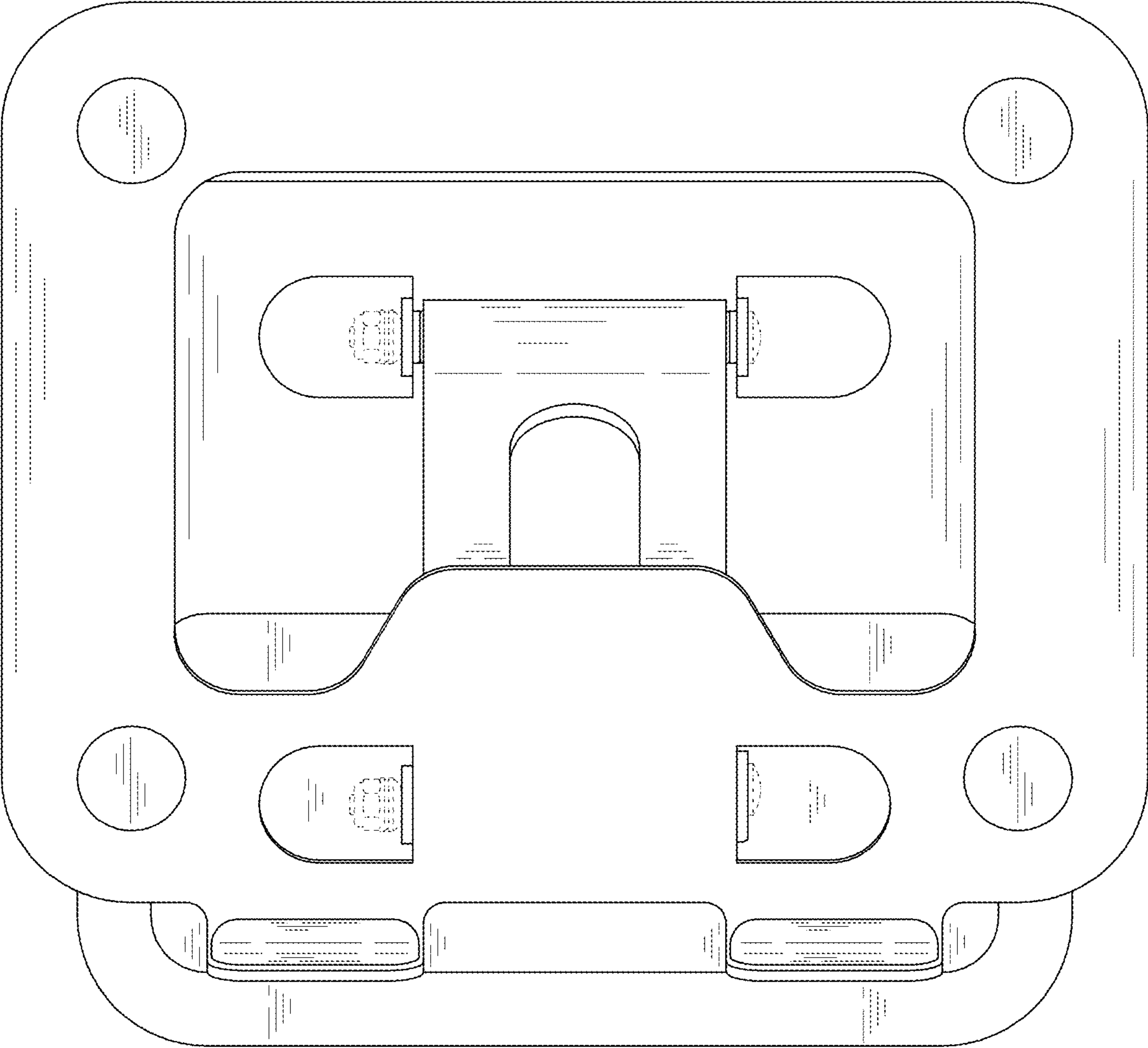


FIG. 7

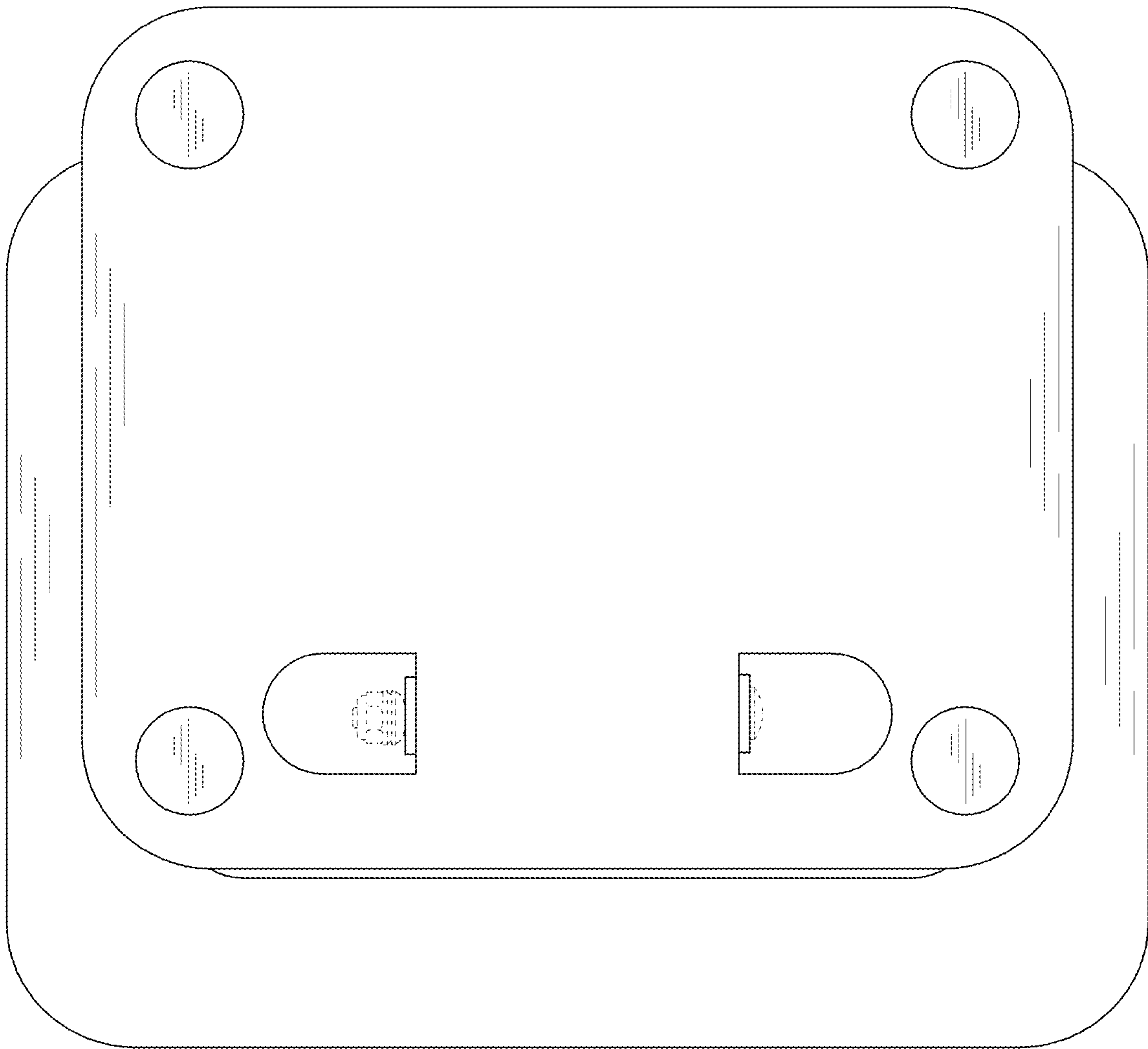


FIG. 8