



US00D951959S

(12) **United States Design Patent**  
**Qu**

(10) **Patent No.:** **US D951,959 S**

(45) **Date of Patent:** **\*\* May 17, 2022**

(54) **PROTECTIVE CASE WITH STAND FOR  
TABLET COMPUTER**

(71) Applicant: **Hailin Qu**, Liuyang (CN)

(72) Inventor: **Hailin Qu**, Liuyang (CN)

(\*\*) Term: **15 Years**

(21) Appl. No.: **29/786,392**

(22) Filed: **May 31, 2021**

(51) **LOC (13) Cl.** ..... **14-02**

(52) **U.S. Cl.**  
USPC ..... **D14/440**

(58) **Field of Classification Search**  
USPC ..... D14/440, 447, 250; 206/45.23, 320,  
206/45.2; 361/679.55; 294/25; 224/218;  
455/575.8  
CPC ... G06F 1/1628; G06F 1/1626; A47B 23/044;  
H04B 1/3888; A45C 11/00  
See application file for complete search history.

D775,198 S *	12/2016	Montes	.....	D14/489
D794,626 S *	8/2017	Armstrong	.....	D14/250
D806,082 S *	12/2017	Armstrong	.....	D14/440
D808,973 S *	1/2018	Chen	.....	D14/440
D831,030 S *	10/2018	Gao	.....	D14/440
D832,269 S *	10/2018	Cheng	.....	D14/440
D832,271 S *	10/2018	Cheng	.....	D14/440
10,148,307 B2 *	12/2018	Shannon, III	.....	G06F 1/1628
D837,219 S	1/2019	Gao		
D843,377 S *	3/2019	Tang	.....	D14/440
D844,621 S *	4/2019	Chen	.....	D14/440
D847,817 S *	5/2019	Cheng	.....	D14/440
D850,451 S *	6/2019	Chen	.....	D14/440
D850,453 S *	6/2019	Wu	.....	D14/440
D851,648 S *	6/2019	Tan	.....	D14/440
D852,203 S *	6/2019	Rui	.....	D14/440
D861,665 S *	10/2019	Li	.....	D14/250
D868,071 S *	11/2019	Liu	.....	D14/440

(Continued)

*Primary Examiner* — Cynthia R Underwood

(57) **CLAIM**

The ornamental design for a protective case with stand for tablet computer, as shown and described.

**DESCRIPTION**

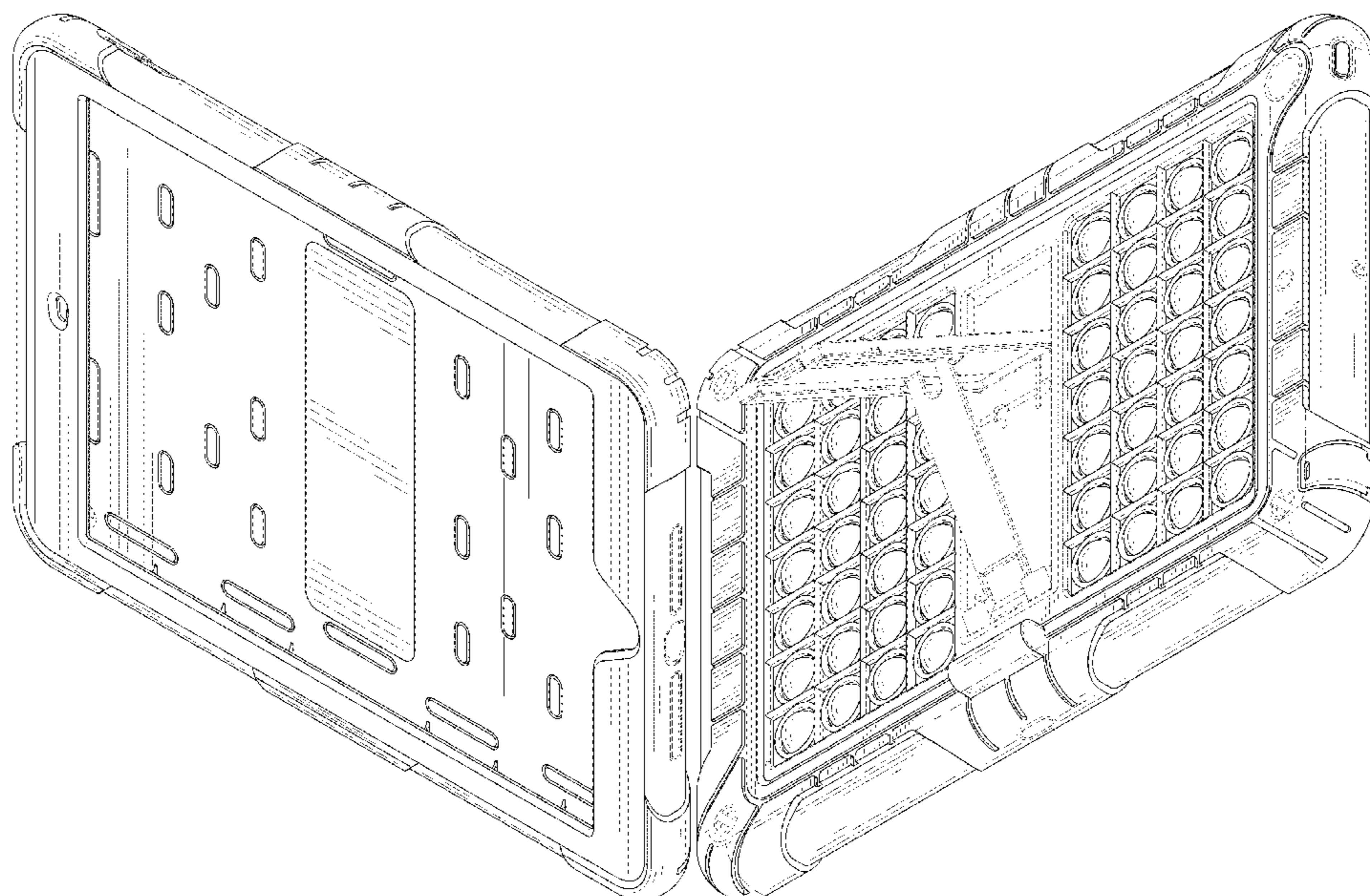
FIG. 1 is a perspective view of a protective case with stand for tablet computer showing my new design;  
FIG. 2 is another perspective view thereof;  
FIG. 3 is a front elevational view thereof;  
FIG. 4 is a rear elevational view thereof;  
FIG. 5 is a left side elevational view thereof;  
FIG. 6 is a right side elevational view thereof;  
FIG. 7 is a top plan view thereof;  
FIG. 8 is a bottom plan view thereof; and,  
FIG. 9 is a perspective view in an open state of use.  
The broken lines in the drawings are for the purpose of illustrating portions of the protective case with stand for tablet computer that form no part of the claimed design.

**1 Claim, 9 Drawing Sheets**

(56) **References Cited**

U.S. PATENT DOCUMENTS

D597,052 S *	7/2009	Kim	.....	D14/138 AB
D634,314 S *	3/2011	Fahrendorff	.....	D14/250
D649,144 S *	11/2011	Fathollahi	.....	D14/250
D668,661 S	10/2012	Norfolk		
D685,358 S *	7/2013	Armstrong	.....	D14/250
D685,786 S *	7/2013	Seoc	.....	D14/353
D690,292 S *	9/2013	Bibla	.....	D14/250
D715,785 S *	10/2014	Jacob	.....	D14/250
D719,144 S *	12/2014	Eulette	.....	D14/250
D721,686 S *	1/2015	Jacob	.....	D14/250
D733,154 S *	6/2015	Armstrong	.....	D14/440
D733,696 S *	7/2015	Burgett	.....	D14/250
D742,869 S *	11/2015	Odhwani	.....	D14/250
D768,123 S *	10/2016	Armstrong	.....	D14/250
D770,458 S *	11/2016	Corcoran	.....	D14/440
D772,288 S *	11/2016	Montes	.....	D14/489



(56)

**References Cited**

## U.S. PATENT DOCUMENTS

D868,788 S \* 12/2019 Weng ..... D14/440  
D868,789 S \* 12/2019 Weng ..... D14/440  
D868,791 S \* 12/2019 Weng ..... D14/440  
D872,093 S \* 1/2020 Xu ..... D14/440  
D875,089 S \* 2/2020 Hemesath ..... D14/250  
D879,788 S \* 3/2020 Gao ..... D14/440  
D879,790 S \* 3/2020 Donachy ..... D14/444  
D885,399 S \* 5/2020 Chen ..... D14/440  
D885,403 S \* 5/2020 Ma ..... D14/440  
D890,156 S \* 7/2020 Kim ..... D14/250  
D892,803 S \* 8/2020 Armstrong ..... D14/440  
D900,828 S \* 11/2020 Chen ..... D14/440  
D916,708 S \* 4/2021 Ke ..... D14/440  
D917,491 S \* 4/2021 Cheng ..... D14/440  
D930,002 S \* 9/2021 Zhou ..... D14/440  
2011/0297566 A1 \* 12/2011 Gallagher ..... F16M 11/2021  
206/320  
2019/0142992 A1 \* 5/2019 Davidson ..... C08G 18/10  
424/445  
2019/0144163 A1 \* 5/2019 Lim ..... B65D 19/385  
108/53.5  
2019/0149808 A1 \* 5/2019 Ng ..... H04N 13/327  
348/59  
2019/0275714 A1 \* 9/2019 Kanoh ..... B29C 45/14065

\* cited by examiner

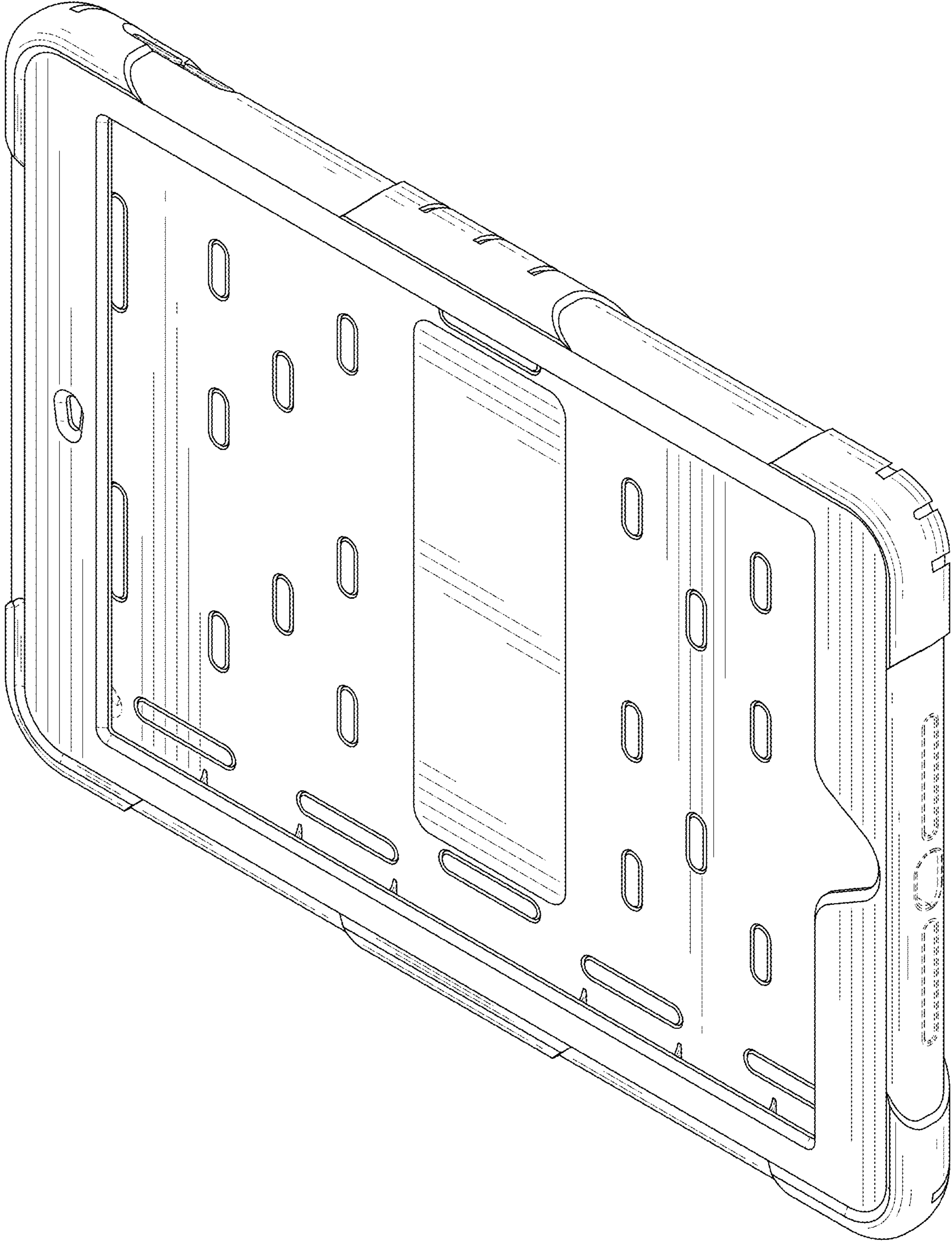


FIG. 1

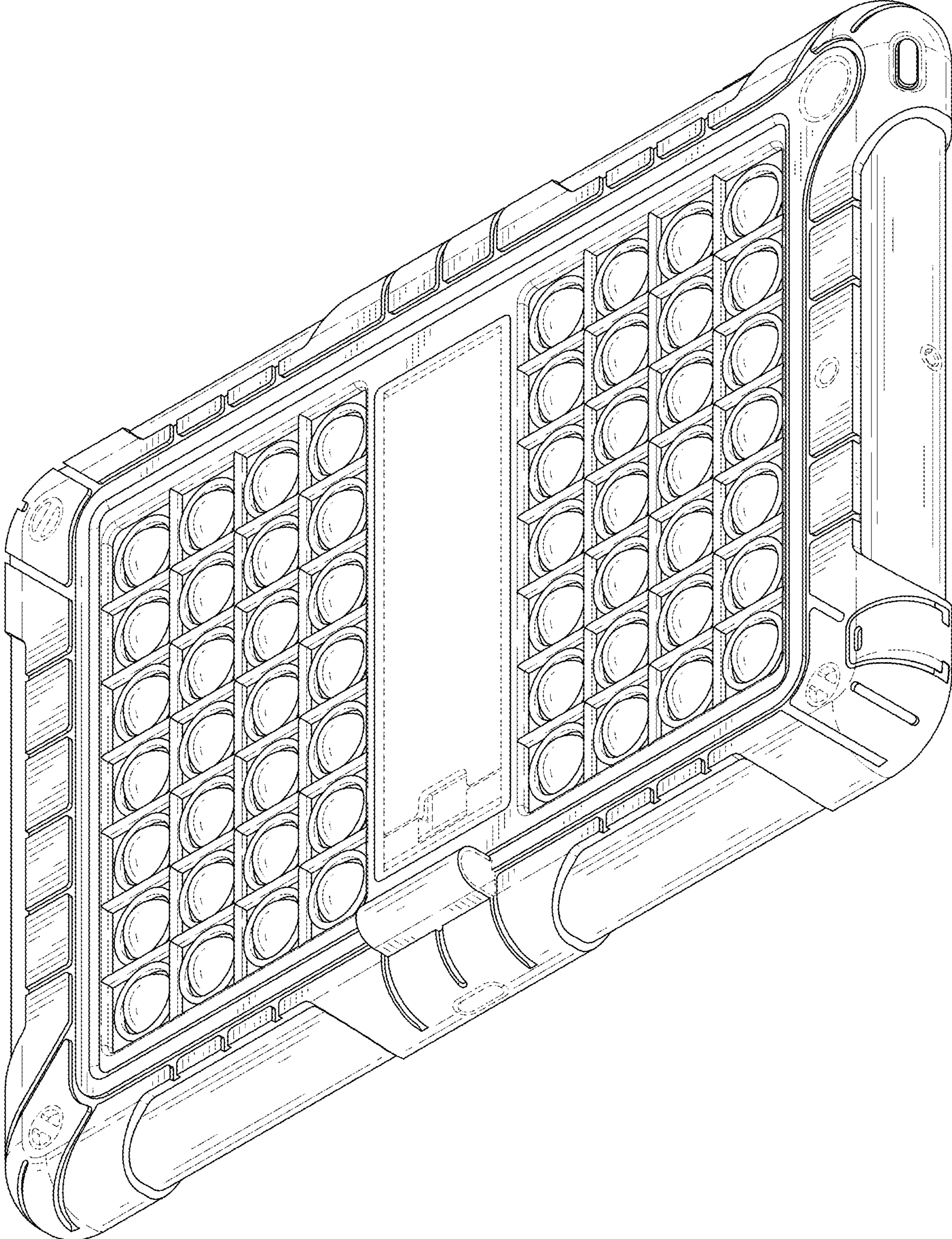


FIG. 2

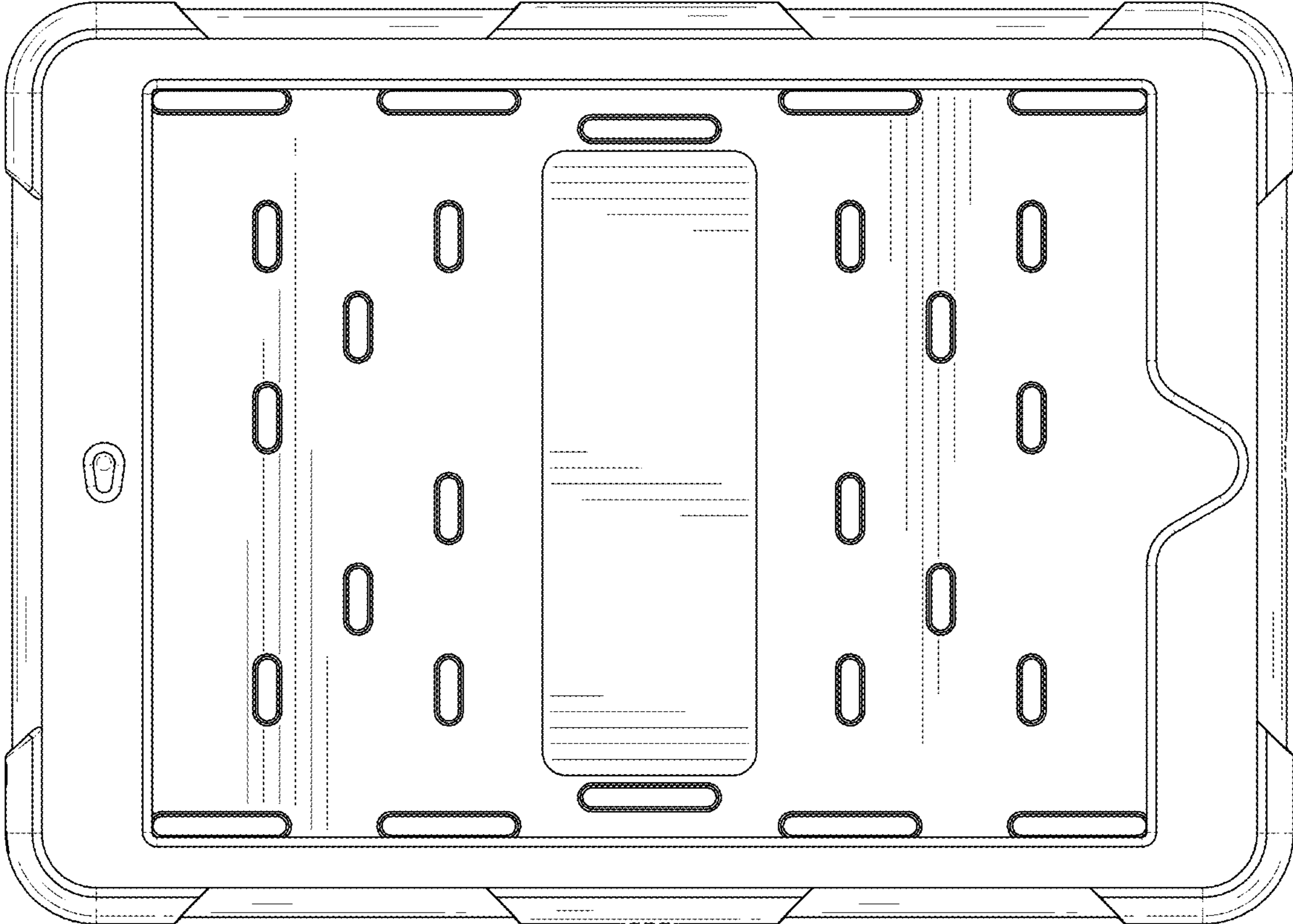


FIG. 3

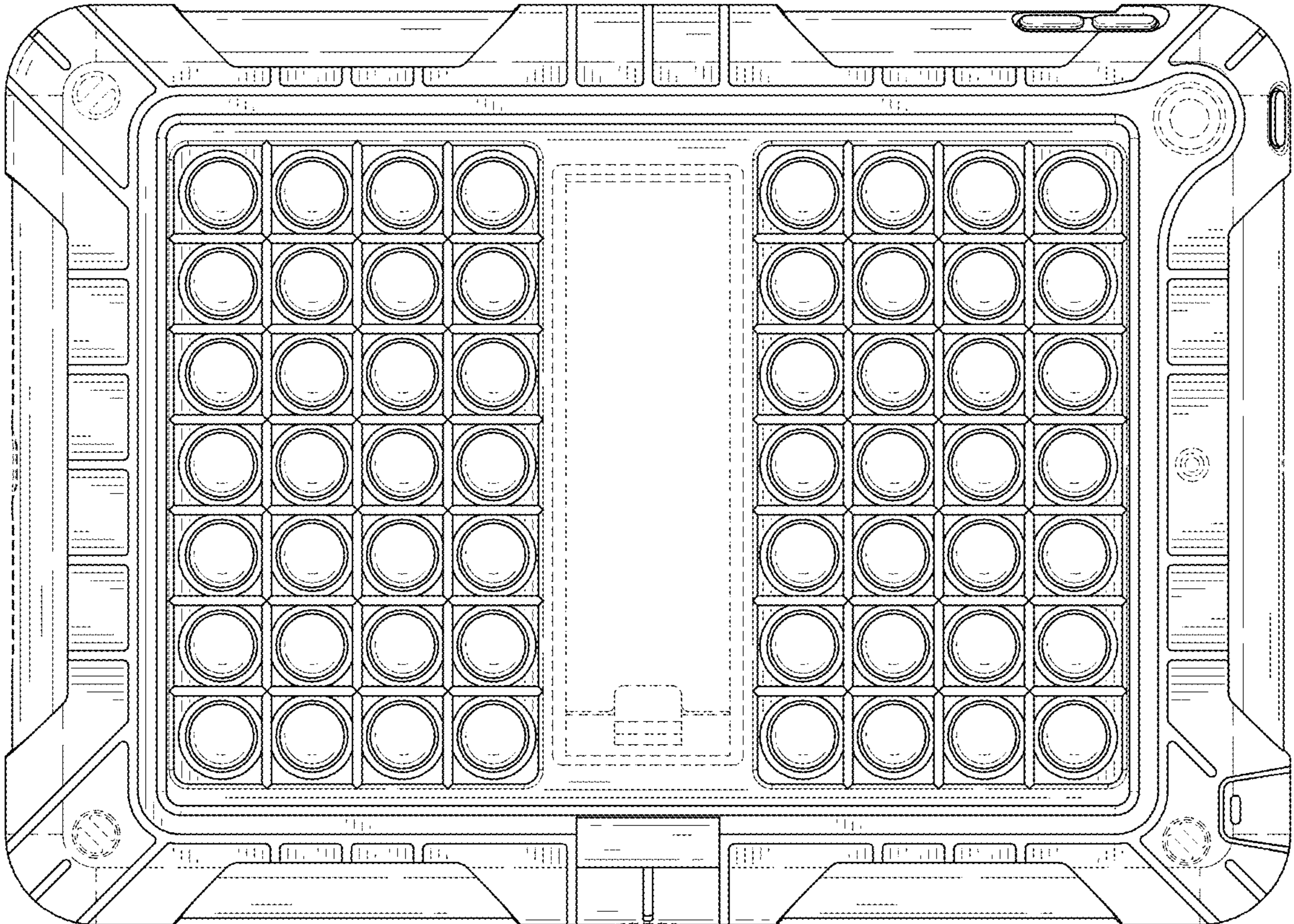


FIG. 4

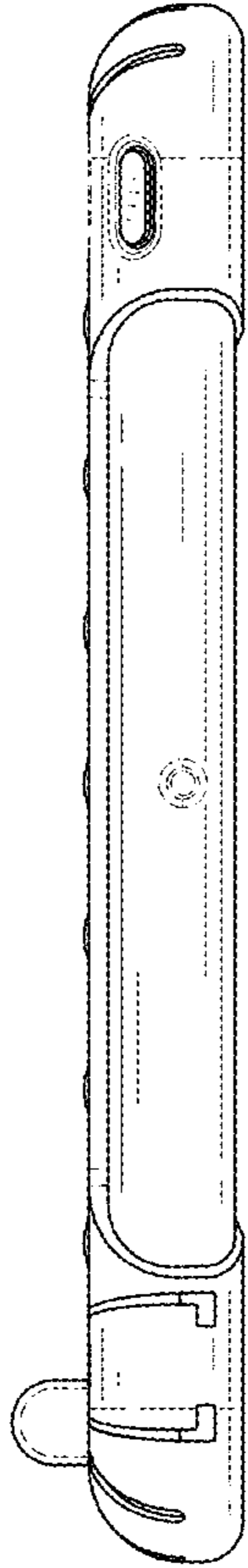


FIG. 5

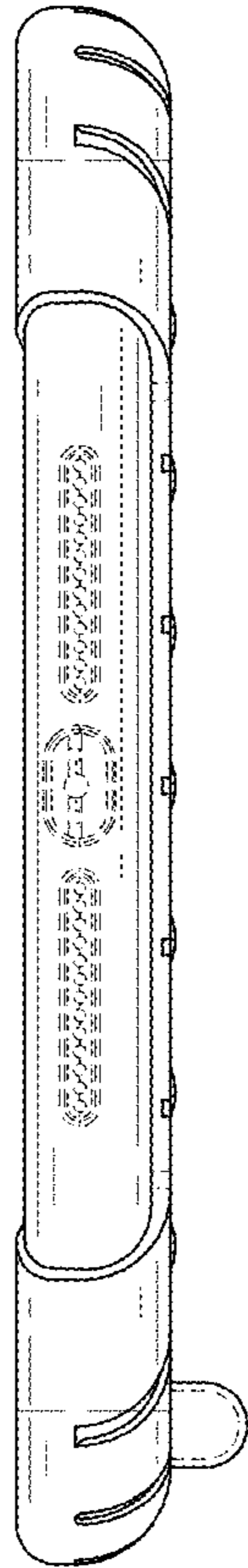


FIG. 6



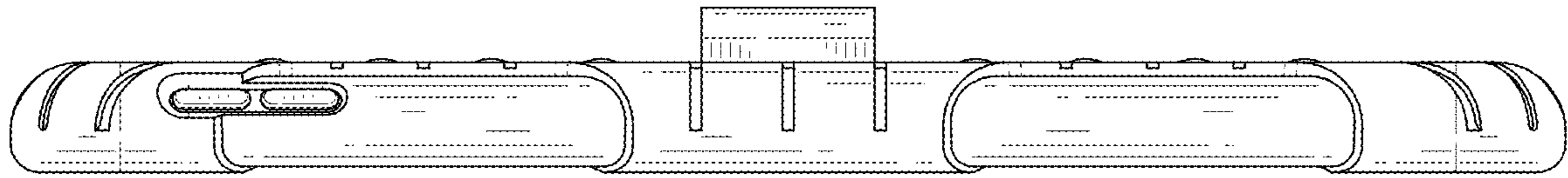


FIG. 7

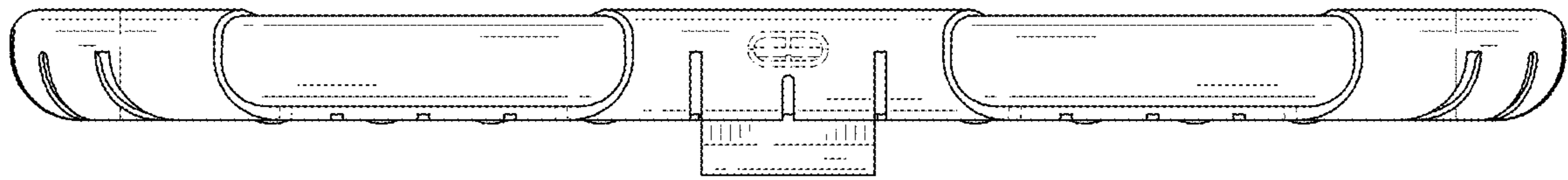


FIG. 8

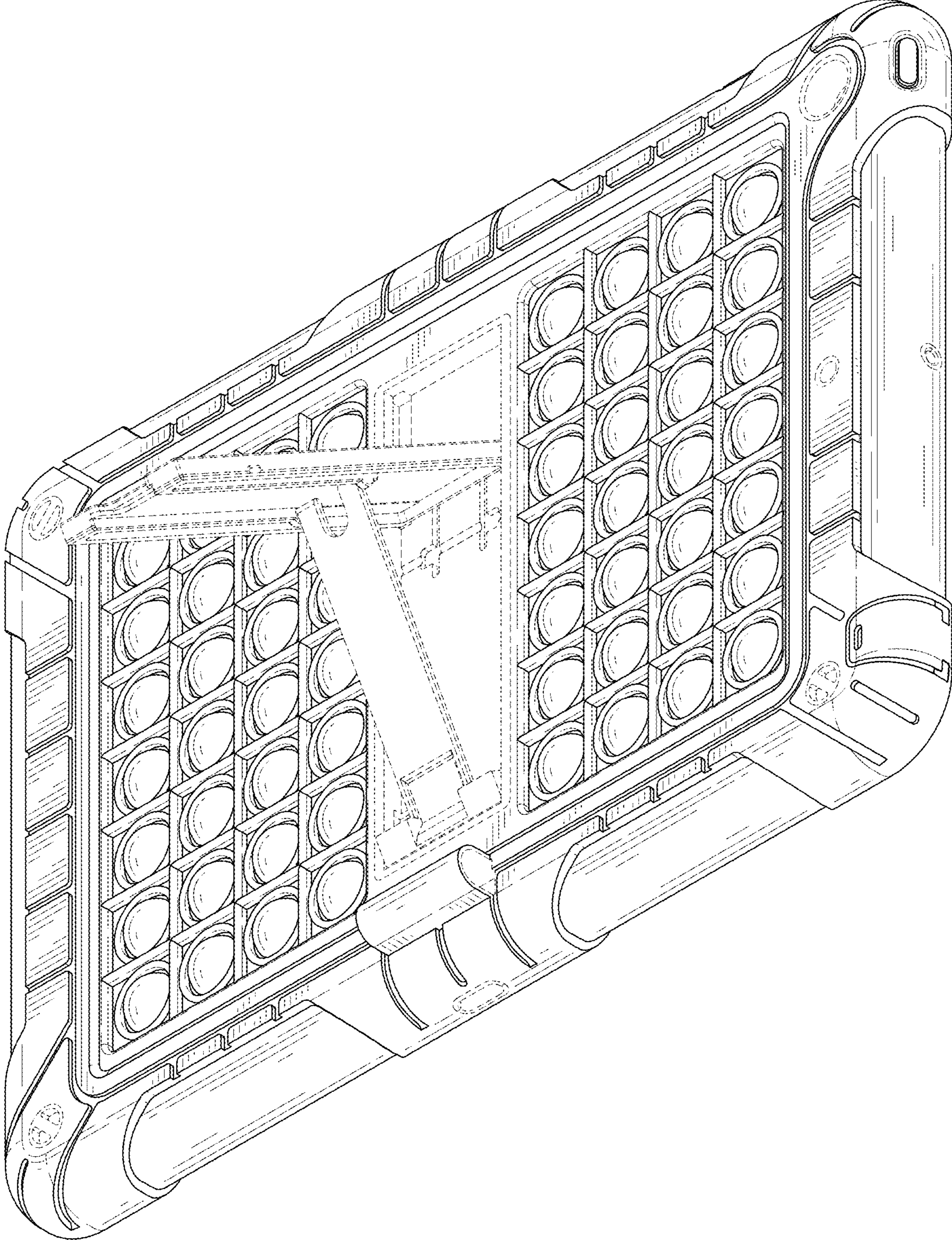


FIG. 9