



US00D951951S

(12) **United States Design Patent**  
**Shen**

(10) **Patent No.:** **US D951,951 S**

(45) **Date of Patent:** **\*\* May 17, 2022**

(54) **CAR DATA SCANNER**

(71) Applicant: **SHENZHEN CHEBOTONG TECHNOLOGY CO., LTD**, Shenzhen (CN)

(72) Inventor: **Changyun Shen**, Shenzhen (CN)

(73) Assignee: **SHENZHEN CHEBOTONG TECHNOLOGY CO., LTD**, Shenzhen (CN)

(\*\*) Term: **15 Years**

(21) Appl. No.: **29/749,331**

(22) Filed: **Sep. 4, 2020**

(51) **LOC (13) Cl.** ..... **14-02**

(52) **U.S. Cl.**  
USPC ..... **D14/420; D10/75**

(58) **Field of Classification Search**  
USPC ..... D14/420, 426-430, 453, 341, 435-438, D14/358; 235/462.01, 462.15, 462.11, 235/462.43, 462.45, 462.46, 462.47, 235/462.49, 472.01, 472.02, 472.03, 385, 235/454, 435, 439-441, 375, 444, 456, 235/459, 462.14, 462.17, 462.2, 462.21, 235/490, 494, 476, 462.22, 462.32, 235/462.35, 470, 462.44; 382/313, 321, 382/318; 358/473; 250/215, 216, 566; D26/37-50, 24; 362/157, 158, 171-174, 362/183-208; 396/427; D24/158; D10/78-80, 75; D16/202, 203, 208; 439/639-642; 361/679.01; 340/679; 359/32, 34; D12/400; D13/133, 147; 701/33.2, 33.4, 34.3, 34.4, 30.3, 30.4  
CPC ..... G06K 7/10584; G06K 7/10613; G06K 7/10821; G06K 7/10881; G06K 7/109; G06K 7/10693; G06K 7/10871; G06K 7/1096; G06K 7/10; G06K 7/10564; G06K 7/10594; G06K 7/10603; G06K 7/10663; G06K 7/10673; G06K 7/10702; G06K 7/10792; G06K 7/10633; G06K 7/10653; G06K 7/10891; G06K 7/14;

G06K 7/1443; G06K 7/10801; G06K 7/10811; G06K 7/10851; G06K 7/10861; G06K 2207/1011; G06K 2207/1012; G06K 2207/1013; G06K 2207/1016; G06K 2207/1017; G06K 2207/1018; G06K 2207/10534; G06K 17/0022; G06K 17/00; G06K 7/0004; G06K 7/1495; G06K 7/00; G06K 7/0047; G06K 7/0013; G06K 7/0017; G06K 7/0021; G06K 7/04; G06K 7/1404; G06K 7/1447; G06K 7/10623; G06K 7/10683; G06K 19/06046; G06K 17/0025; G06K 17/0029; G06K 9/22; G06K 9/24; G06K 9/228; G06K 19/00; G06K 19/005; G06K 19/041; G06K 19/07733; G06K 19/07737; G06K

(Continued)

(56) **References Cited**

U.S. PATENT DOCUMENTS

D295,413 S \* 4/1988 Nakamura ..... D14/420  
D312,046 S \* 11/1990 Ruehleemann ..... D10/70

(Continued)

*Primary Examiner* — Susan Moon Lee

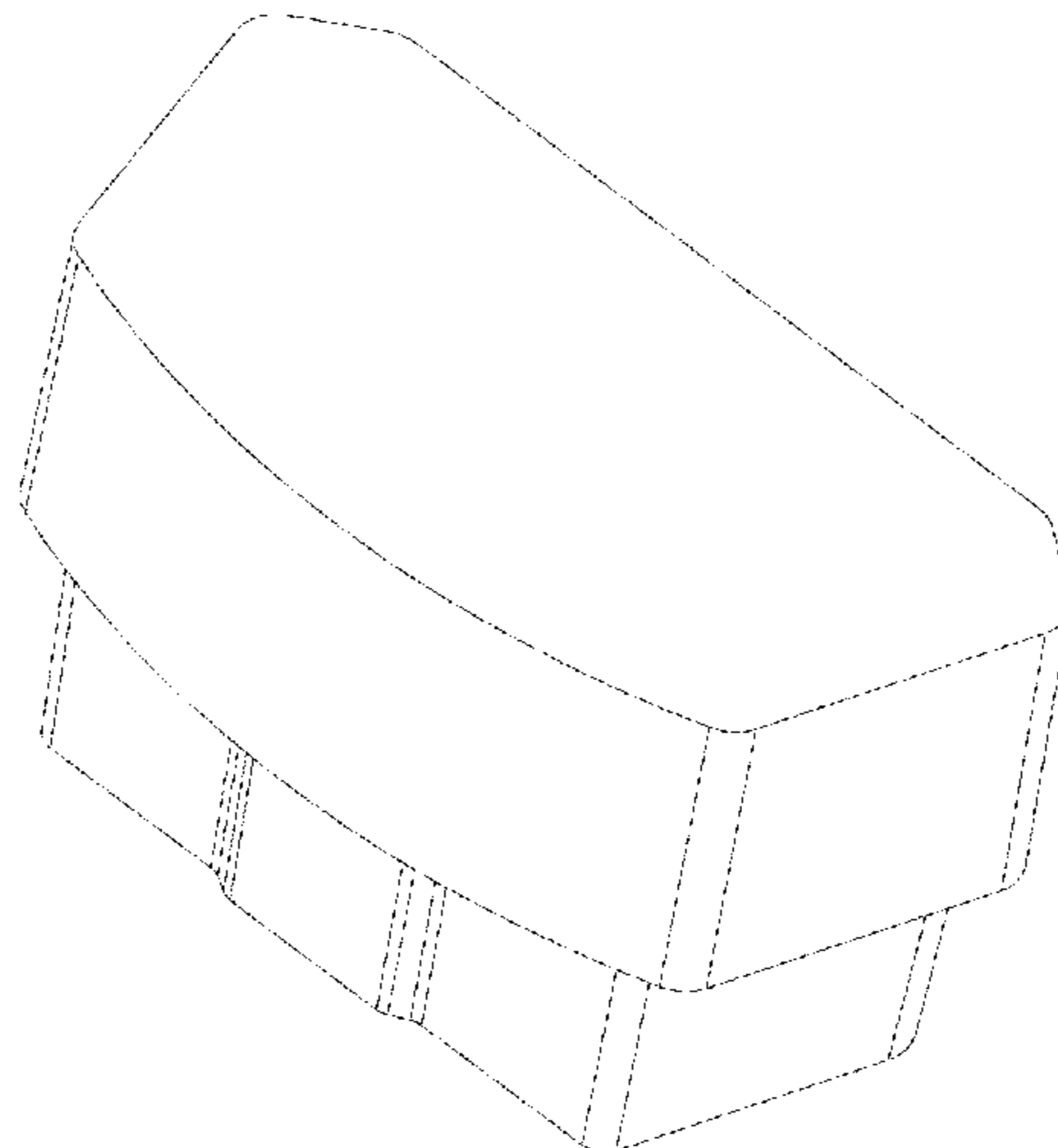
(57) **CLAIM**

The ornamental design for a car data scanner, as shown and described.

**DESCRIPTION**

FIG. 1 is a perspective view of a car data scanner showing my new design;  
FIG. 2 is another perspective view thereof;  
FIG. 3 is a front elevational view thereof;  
FIG. 4 is a rear elevational view thereof;  
FIG. 5 is a left side elevational view thereof;  
FIG. 6 is a right side elevational view thereof;  
FIG. 7 is a top plan view thereof; and,  
FIG. 8 is a bottom plan view thereof.

**1 Claim, 8 Drawing Sheets**



(58) **Field of Classification Search**

CPC ..... 19/07739; G06K 19/07741; A47F 9/046;  
 A47F 9/047; G07G 1/0045; G04N  
 5/23238; G04N 5/2252; G04N 5/2251;  
 G03B 17/02; B25H 5/00; B66F 7/28;  
 G02B 26/10; G02B 26/106; G07F  
 11/002; G07F 11/02; G06Q 20/343; G06F  
 2203/0331; G06F 3/00; G06F 3/01; G06F  
 3/03; G06F 3/0304; G06F 3/06; G01V  
 8/10; G01V 8/26; G01S 7/493; G01S  
 7/497; G01S 17/026; G01S 17/48; G03H  
 1/2205; G03H 2210/53; H04N 1/00204;  
 H04N 1/32561; H04N 1/00206; H04N  
 1/00236; H04N 1/00238; H04N 1/00241;  
 H04N 1/00246; H04N 1/00251; H04N  
 1/00257; H04N 2201/0063; H01Q 1/22;  
 H01Q 1/24; G07C 5/00; G07C 5/006;  
 G07C 5/008; G07C 5/08; G07C 5/0808;  
 G07C 5/0825; G07C 5/085; G07C 5/0858

See application file for complete search history.

(56) **References Cited**

U.S. PATENT DOCUMENTS

D314,187 S \* 1/1991 Richards ..... D14/381  
 D331,711 S \* 12/1992 Cervas ..... D10/78  
 D335,662 S \* 5/1993 Shepard ..... D14/427  
 5,505,199 A \* 4/1996 Kim ..... A61B 5/11  
 348/143  
 D426,204 S \* 6/2000 Maio ..... D14/356  
 D430,873 S \* 9/2000 Parker ..... D12/400  
 6,195,053 B1 \* 2/2001 Kodukula ..... G06K 7/0004  
 235/462.47  
 6,224,424 B1 \* 5/2001 Chen ..... H01R 9/038  
 439/607.42  
 D444,811 S \* 7/2001 Yamamoto ..... D18/50  
 D453,514 S \* 2/2002 Elam ..... D14/420  
 D454,873 S \* 3/2002 Clark ..... D14/358  
 6,832,141 B2 \* 12/2004 Skeen ..... G07C 5/008  
 340/439  
 D529,950 S \* 10/2006 Katayama ..... D18/50  
 D571,241 S \* 6/2008 Andreasen ..... D10/78  
 7,447,574 B1 \* 11/2008 Washicko ..... B60R 16/0207  
 701/33.4  
 D604,725 S \* 11/2009 Chen ..... D13/184  
 D609,639 S \* 2/2010 Kawahara ..... D13/110  
 7,771,075 B2 \* 8/2010 Luyckx ..... F21L 4/085  
 362/183  
 D656,124 S \* 3/2012 Smith ..... D14/204  
 D681,555 S \* 5/2013 Keates ..... D13/147  
 8,480,433 B2 \* 7/2013 Huang ..... B60R 16/0232  
 439/620.21  
 D709,836 S \* 7/2014 Casagrande ..... D13/156  
 D724,977 S \* 3/2015 Browning ..... D10/80  
 9,026,306 B2 \* 5/2015 Wu ..... G07C 5/0841  
 701/33.2  
 D741,861 S \* 10/2015 Haidar ..... D14/383  
 D742,379 S \* 11/2015 Haidar ..... D14/383  
 9,419,392 B2 \* 8/2016 Kirkpatrick ..... H01R 13/6683

D771,573 S \* 11/2016 Lowchareonkul ..... D13/156  
 9,574,882 B2 \* 2/2017 Schilling ..... G01C 21/165  
 9,595,789 B1 \* 3/2017 Ehrman ..... H01R 24/68  
 D785,570 S \* 5/2017 Fischer ..... D13/138.1  
 D788,776 S \* 6/2017 Marzette, Jr. .... D14/358  
 D798,296 S \* 9/2017 Ali ..... D14/358  
 D802,593 S \* 11/2017 Zhang ..... D14/420  
 D810,802 S \* 2/2018 Schulze ..... D16/202  
 9,941,633 B2 \* 4/2018 Simonazzi ..... H01R 43/205  
 D820,701 S \* 6/2018 Buijsman ..... D10/80  
 D823,307 S \* 7/2018 Zhang ..... D14/420  
 D826,864 S \* 8/2018 Hoffart ..... D13/147  
 D833,437 S \* 11/2018 Campanini ..... D14/420  
 D833,896 S \* 11/2018 Fischer ..... D10/65  
 D852,194 S \* 6/2019 Ciabattoni ..... D14/420  
 D856,178 S \* 8/2019 Hou ..... D10/80  
 D863,304 S \* 10/2019 Watanabe ..... D14/420  
 D865,639 S \* 11/2019 Adams, III ..... D12/400  
 D865,640 S \* 11/2019 Adams, III ..... D12/400  
 10,535,261 B2 \* 1/2020 Alqahtani ..... G08G 1/0969  
 D875,578 S \* 2/2020 Simard ..... D10/78  
 D888,052 S \* 6/2020 Manoharan ..... D14/357  
 D904,910 S \* 12/2020 Bernhardt ..... D10/75  
 D908,090 S \* 1/2021 Link ..... D13/133  
 D918,075 S \* 5/2021 Shu ..... D10/78  
 11,005,220 B2 \* 5/2021 Kanakasabhapathi .....  
 H01R 12/82  
 D923,499 S \* 6/2021 Lee ..... D10/78  
 D928,712 S \* 8/2021 Cheung ..... D13/137.2  
 2004/0149829 A1 \* 8/2004 Boucher ..... A47F 9/046  
 235/462.43  
 2008/0225368 A1 \* 9/2008 Ciabattoni ..... G02B 26/121  
 359/216.1  
 2008/0255718 A1 \* 10/2008 Tuff ..... G07C 5/0858  
 701/32.6  
 2010/0133344 A1 \* 6/2010 Yamanouchi ..... G06K 7/10702  
 235/462.43  
 2010/0277330 A1 \* 11/2010 Gentilini ..... G06K 7/10881  
 340/679  
 2011/0227709 A1 \* 9/2011 Story ..... G07C 5/008  
 340/10.42  
 2011/0270485 A1 \* 11/2011 Jones ..... B60R 16/023  
 701/31.4  
 2011/0313593 A1 \* 12/2011 Cohen ..... G01S 19/16  
 701/2  
 2013/0013813 A1 \* 1/2013 Lee ..... H04M 1/72412  
 710/5  
 2013/0038985 A1 \* 2/2013 Powell ..... G06K 7/109  
 361/679.01  
 2014/0052531 A1 \* 2/2014 Kent ..... G06Q 30/02  
 705/14.49  
 2014/0067195 A1 \* 3/2014 James ..... G06Q 10/02  
 701/32.4  
 2015/0081163 A1 \* 3/2015 Molenkamp ..... G07C 5/00  
 701/33.2  
 2016/0063293 A1 \* 3/2016 Sun ..... G06K 7/10891  
 235/462.44  
 2016/0226189 A1 \* 8/2016 Simonazzi ..... H01R 13/6275  
 2016/0322730 A1 \* 11/2016 Sasaki ..... H01R 13/193  
 2017/0020011 A1 \* 1/2017 Fantin ..... H01R 13/6658  
 2017/0229812 A1 \* 8/2017 Ehrman ..... H01R 13/62916  
 2018/0132082 A1 \* 5/2018 Vijayan ..... H04W 4/44

\* cited by examiner

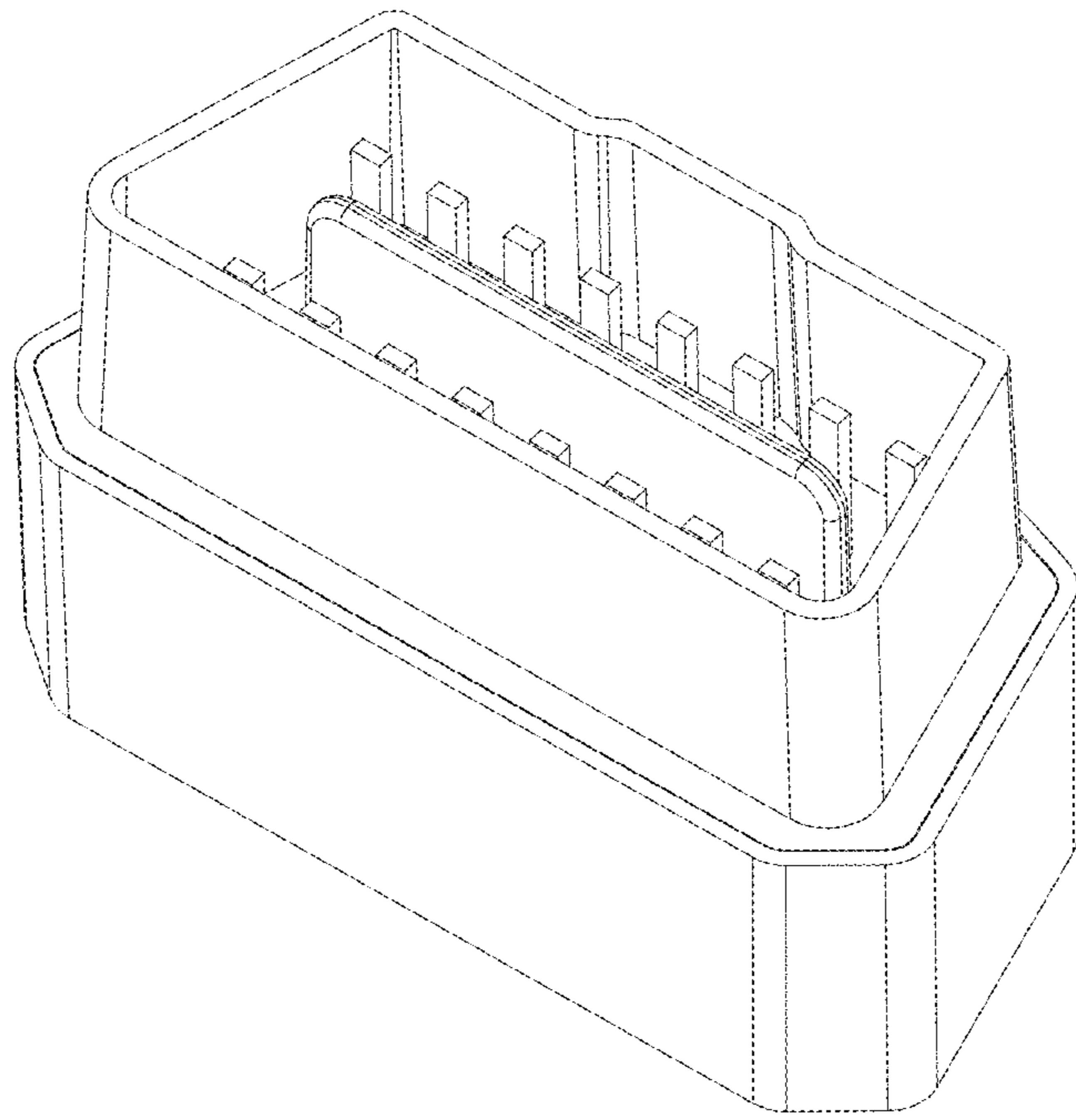


FIG. 1

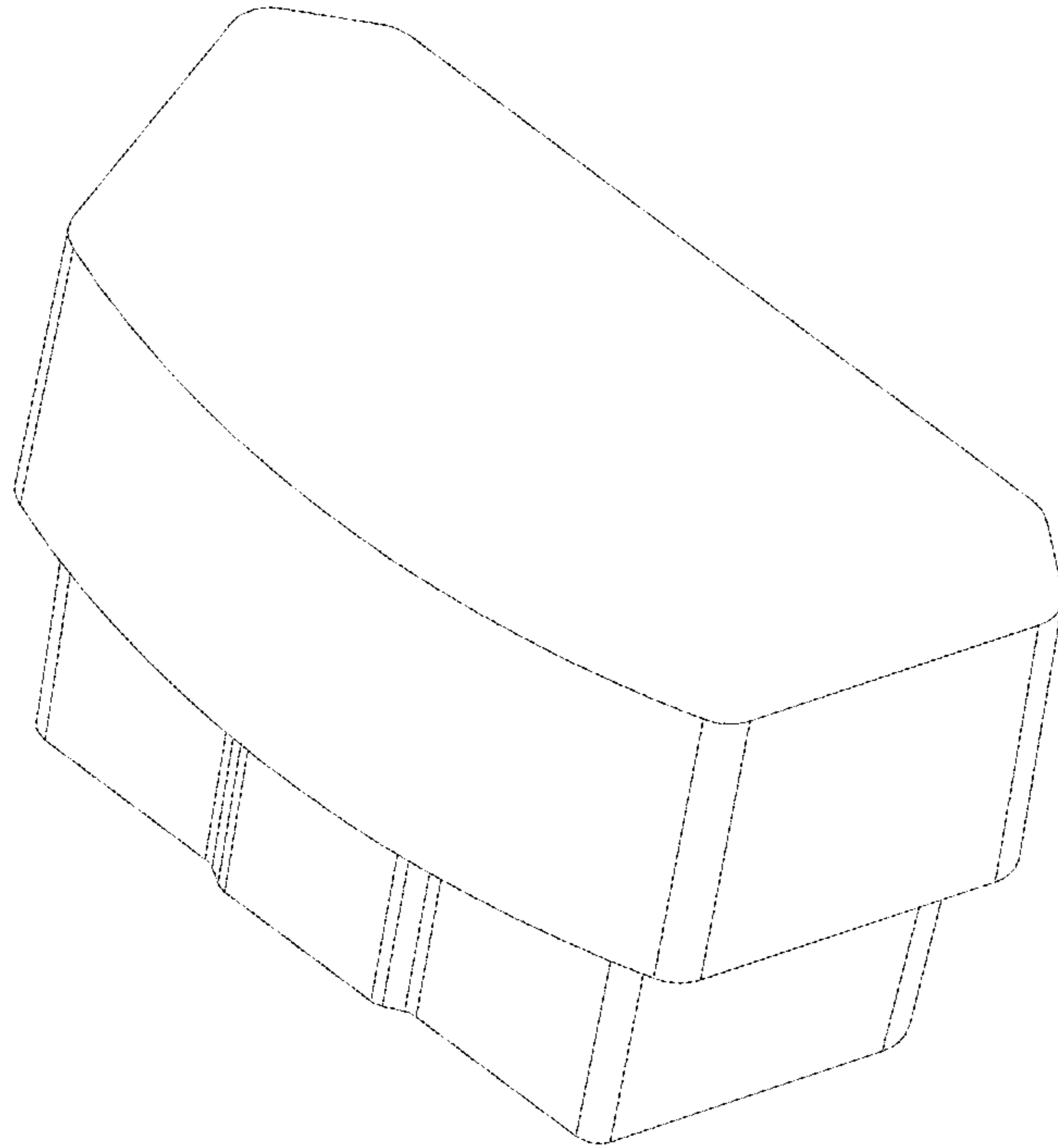


FIG. 2

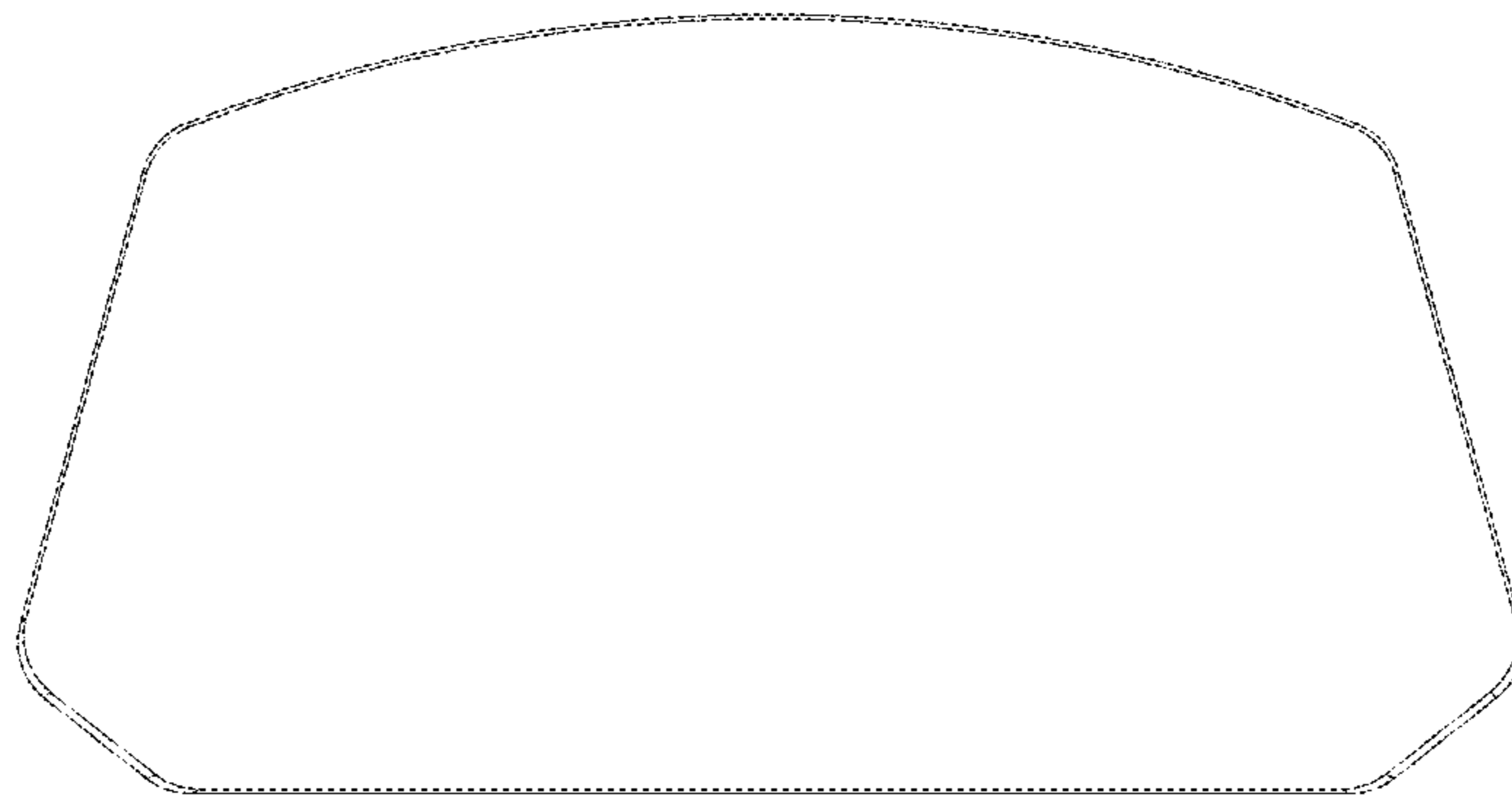


FIG. 3

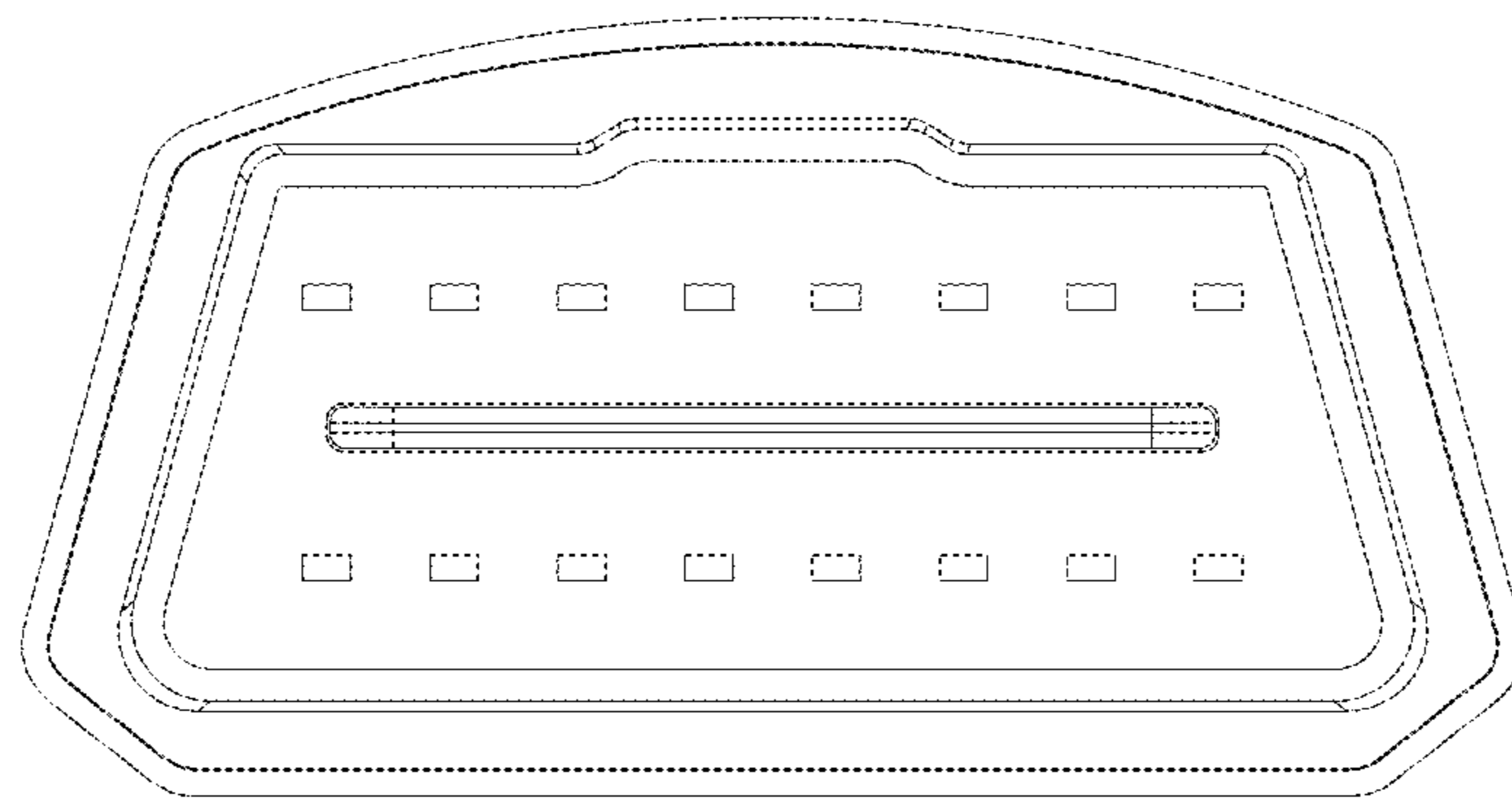


FIG. 4

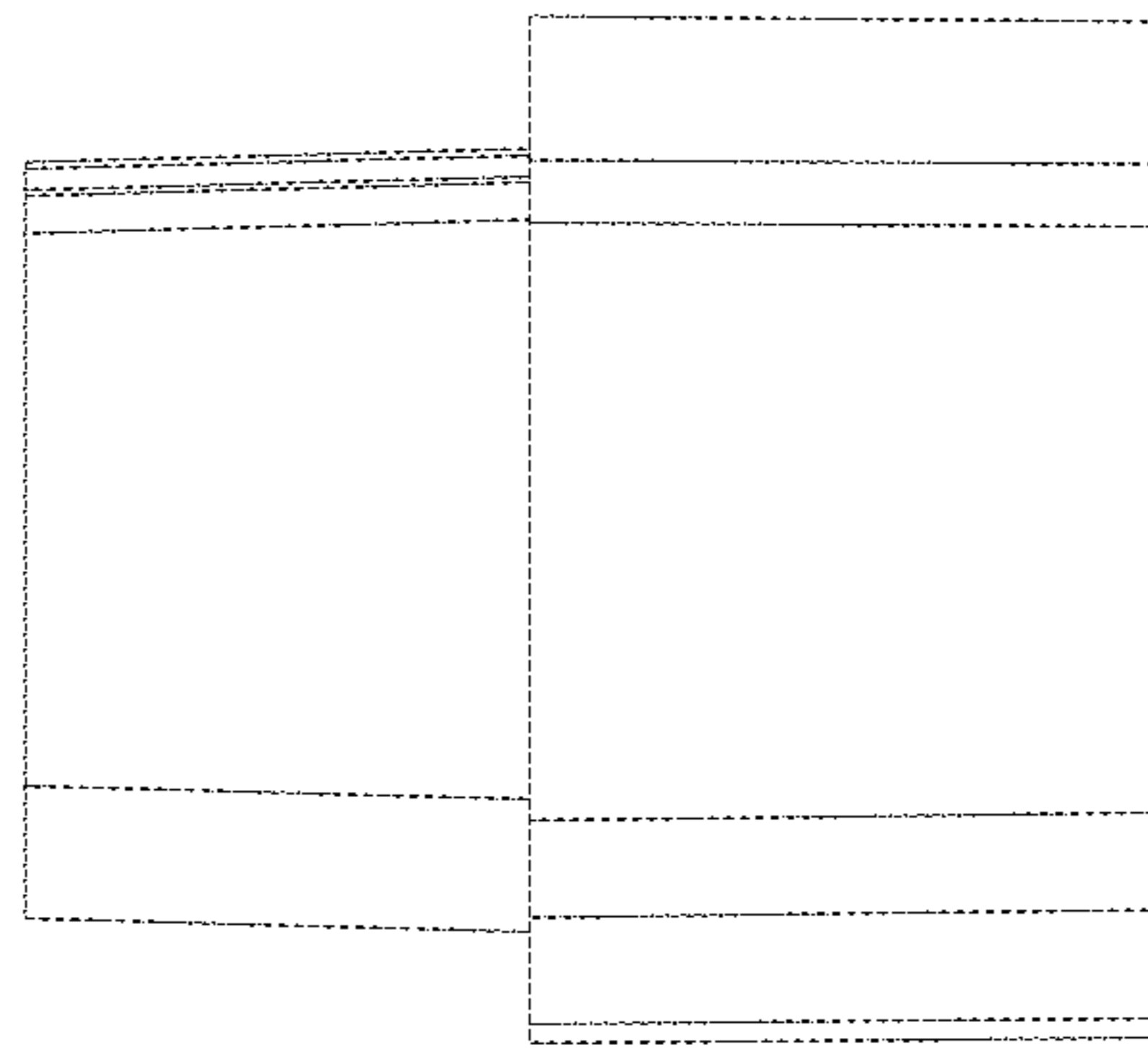


FIG. 5

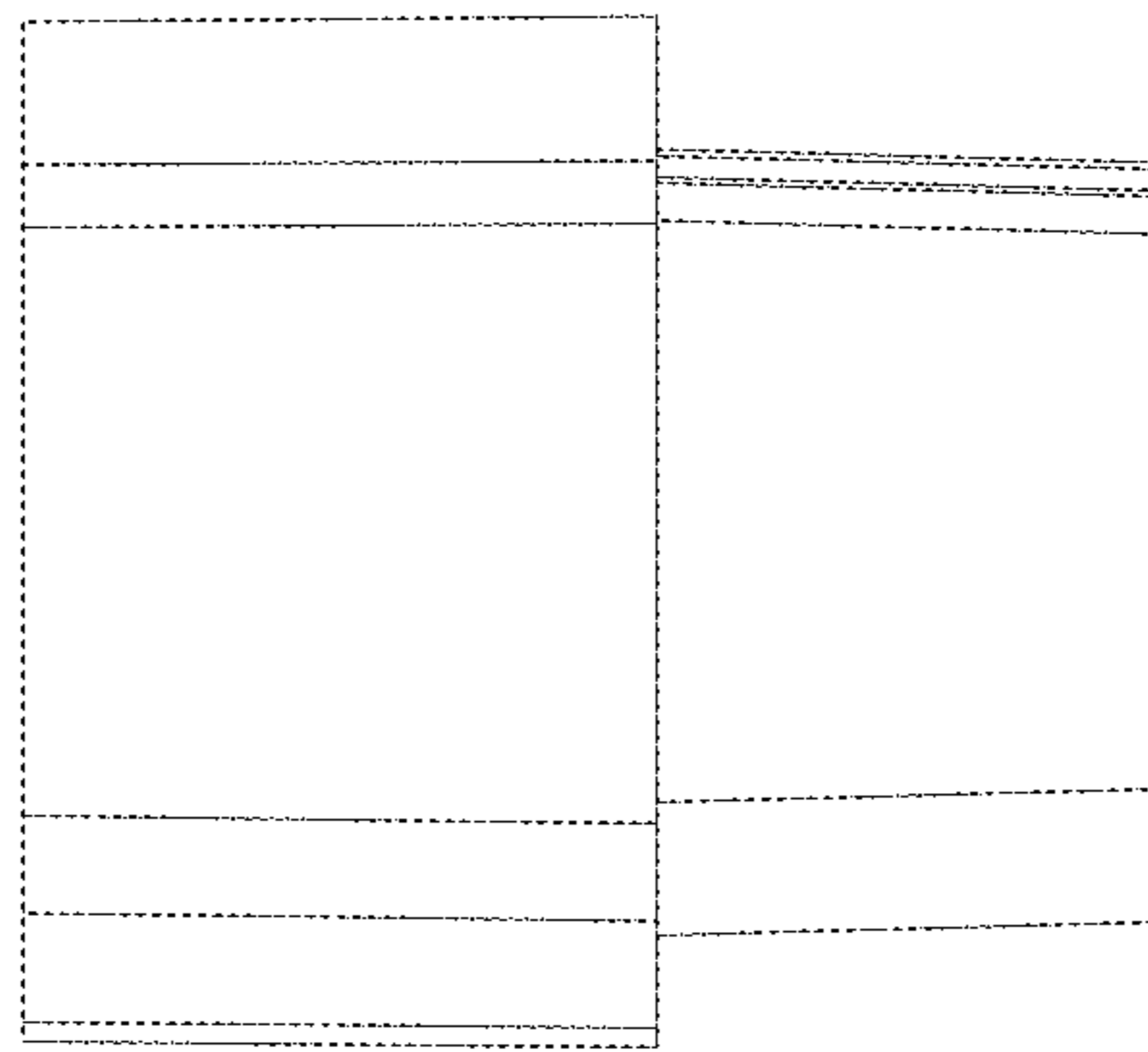


FIG. 6



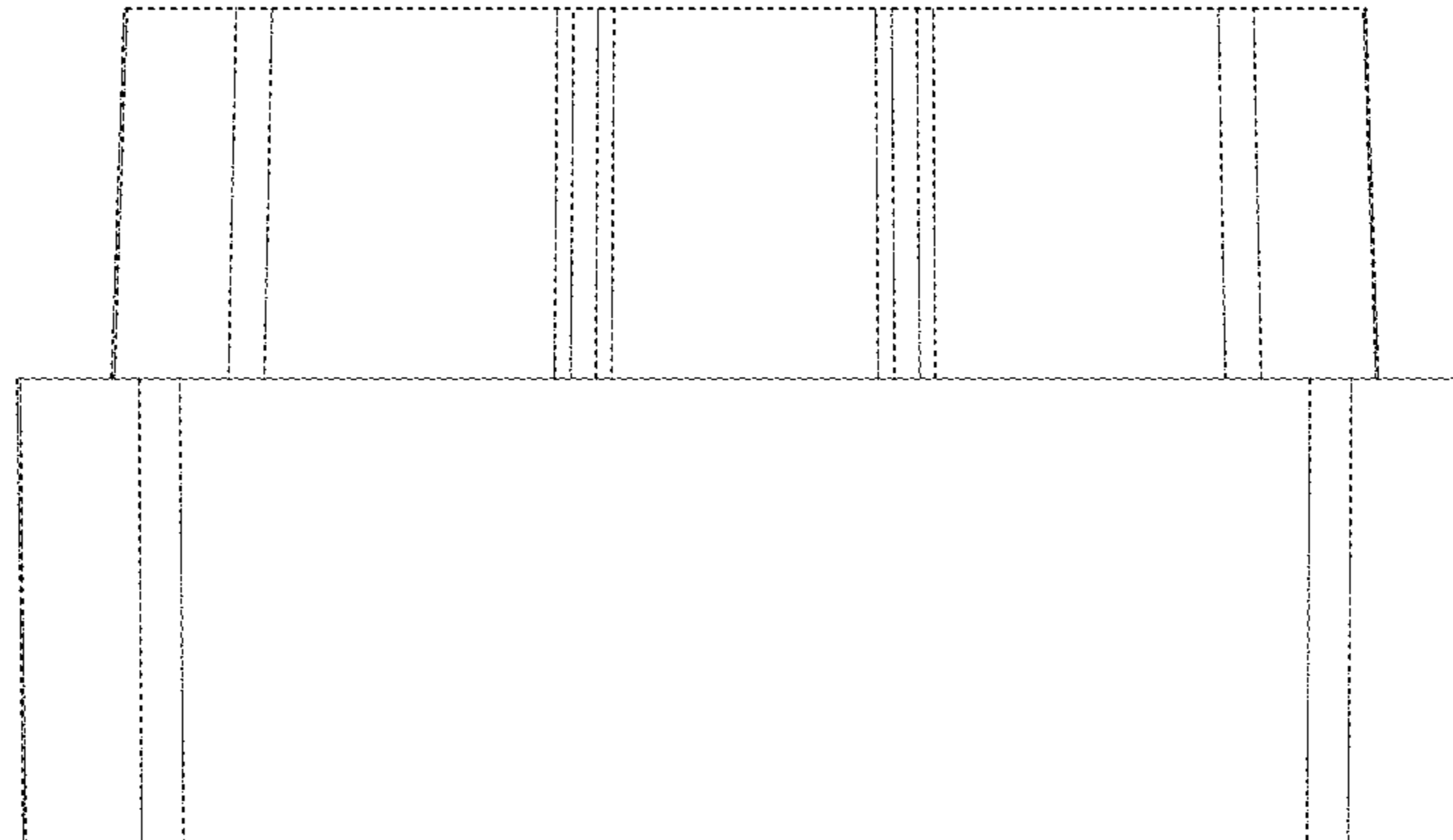


FIG. 7



FIG. 8