



US00D951950S

(12) **United States Design Patent**
Shen

(10) **Patent No.:** **US D951,950 S**
(45) **Date of Patent:** **** May 17, 2022**

(54) **CAR DATA SCANNER**

(71) Applicant: **SHENZHEN CHEBOTONG TECHNOLOGY CO., LTD**, Shenzhen (CN)

(72) Inventor: **Changyun Shen**, Shenzhen (CN)

(73) Assignee: **SHENZHEN CHEBOTONG TECHNOLOGY CO., LTD**, Shenzhen (CN)

(**) Term: **15 Years**

(21) Appl. No.: **29/749,326**

(22) Filed: **Sep. 4, 2020**

(51) **LOC (13) Cl.** **14-02**

(52) **U.S. Cl.**
USPC **D14/420; D10/75**

(58) **Field of Classification Search**
USPC D14/420, 426-430, 453, 341, 435-438, D14/358; 235/462.01, 462.15, 462.11, 235/462.43, 462.45, 462.46, 462.47, 235/462.49, 472.01, 472.02, 472.03, 385, 235/454, 435, 439-441, 375, 444, 456, 235/459, 462.14, 462.17, 462.2, 462.21, 235/490, 494, 476, 462.22, 462.32, 235/462.35, 470, 462.44; 382/313, 321, 382/318; 358/473; 250/215, 216, 566; D26/37-50, 24; 362/157, 158, 171-174, 362/183-208; 396/427; D24/158; D10/78-80, 75; D16/202, 203, 208; 439/639-642; 361/679.01; 340/679; 359/32, 34; D12/400; D13/133, 147; 701/30.3, 30.4, 34.3, 34.4, 33.2, 33.4
CPC G06K 7/10584; G06K 7/10613; G06K 7/10821; G06K 7/10881; G06K 7/109; G06K 7/10693; G06K 7/10871; G06K 7/1096; G06K 7/10; G06K 7/10564; G06K 7/10594; G06K 7/10603; G06K 7/10663; G06K 7/10673; G06K 7/10702; G06K 7/10792; G06K 7/10633; G06K 7/10653; G06K 7/10891; G06K 7/14;

G06K 7/1443; G06K 7/10801; G06K 7/10811; G06K 7/10851; G06K 7/10861; G06K 2207/1011; G06K 2207/1012; G06K 2207/1013; G06K 2207/1016; G06K 2207/1017; G06K 2207/1018; G06K 2207/10534; G06K 17/0022; G06K 17/00; G06K 7/0004; G06K 7/1495; G06K 7/00; G06K 7/0047; G06K 7/0013; G06K 7/0017; G06K 7/0021; G06K 7/04; G06K 7/1404; G06K 7/1447; G06K 7/10623; G06K 7/10683; G06K 19/06046; G06K 17/0025; G06K 17/0029; G06K 9/22; G06K 9/24; G06K 9/228; G06K 19/00; G06K 19/005; G06K 19/041; G06K 19/07733; G06K 19/07737; G06K

(Continued)

(56) **References Cited**

U.S. PATENT DOCUMENTS

D295,413 S * 4/1988 Nakamura D14/420
D312,046 S * 11/1990 Ruehleemann D10/70

(Continued)

Primary Examiner — Susan Moon Lee

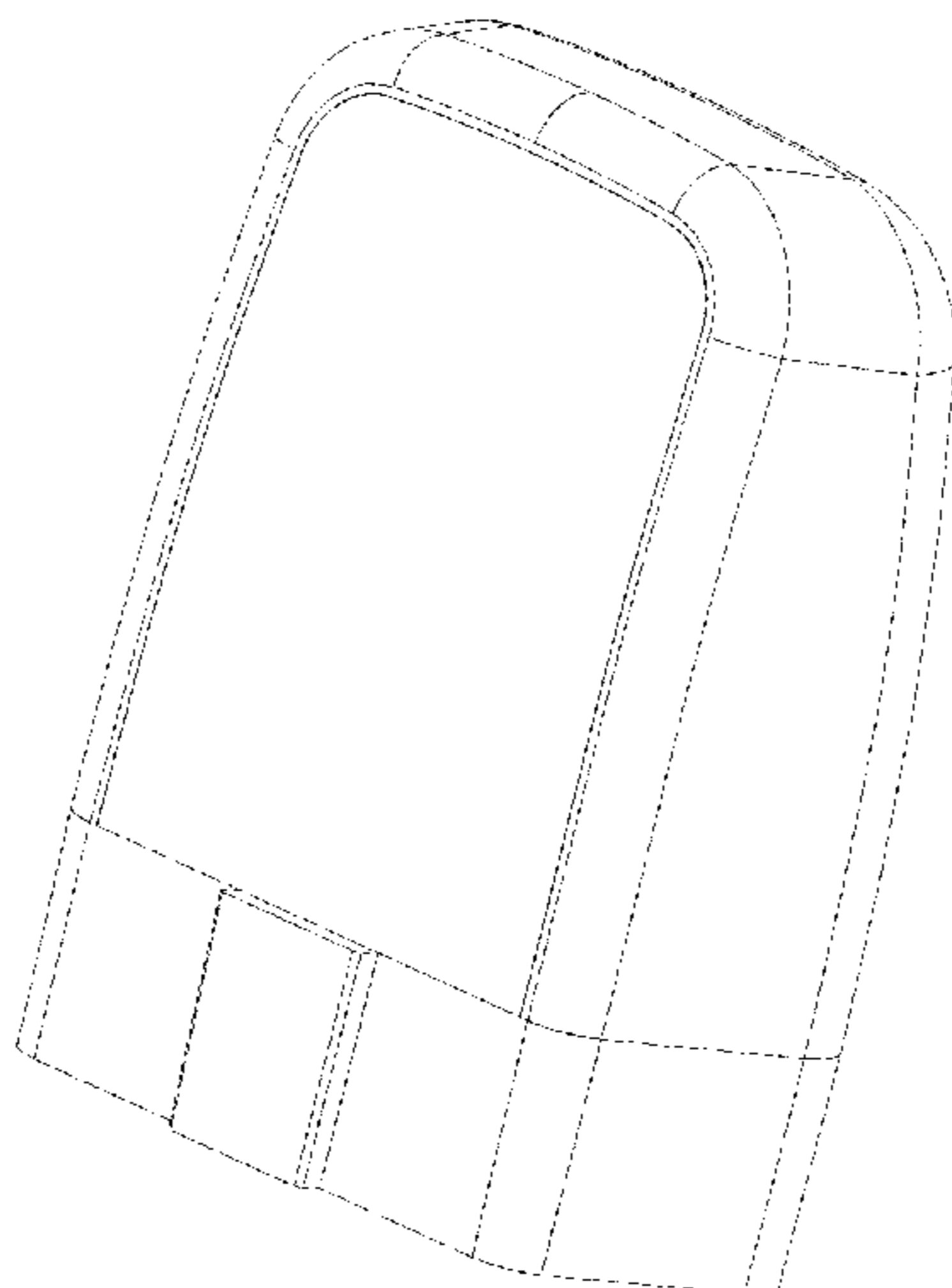
(57) **CLAIM**

The ornamental design for a car data scanner, as shown and described.

DESCRIPTION

FIG. 1 is a perspective view of a car data scanner showing my new design;
FIG. 2 is another perspective view thereof;
FIG. 3 is a front elevational view thereof;
FIG. 4 is a rear elevational view thereof;
FIG. 5 is a left side elevational view thereof;
FIG. 6 is a right side elevational view thereof;
FIG. 7 is a top plan view thereof; and,
FIG. 8 is a bottom plan view thereof.

1 Claim, 8 Drawing Sheets



(58) **Field of Classification Search**

CPC 19/07739; G06K 19/07741; A47F 9/046;
 A47F 9/047; G07G 1/0045; G04N
 5/23238; G04N 5/2252; G04N 5/2251;
 G03B 17/02; B25H 5/00; B66F 7/28;
 G02B 26/10; G02B 26/106; G07F
 11/002; G07F 11/02; G06Q 20/343; G06F
 2203/0331; G06F 3/00; G06F 3/01; G06F
 3/03; G06F 3/0304; G06F 3/06; G01V
 8/10; G01V 8/26; G01S 7/493; G01S
 7/497; G01S 17/026; G01S 17/48; G03H
 1/2205; G03H 2210/53; H04N 1/00204;
 H04N 1/32561; H04N 1/00206; H04N
 1/00236; H04N 1/00238; H04N 1/00241;
 H04N 1/00246; H04N 1/00251; H04N
 1/00257; H04N 2201/0063; H01Q 1/22;
 H01Q 1/24; G07C 5/00; G07C 5/006;
 G07C 5/008; G07C 5/08; G07C 5/0808;
 G07C 5/0825; G07C 5/085; G07C 5/0858

See application file for complete search history.

(56) **References Cited**

U.S. PATENT DOCUMENTS

D314,187 S * 1/1991 Richards D14/381
 D331,711 S * 12/1992 Cervas D10/78
 D335,662 S * 5/1993 Shepard D14/427
 5,505,199 A * 4/1996 Kim A61B 5/11
 348/143
 D426,204 S * 6/2000 Maio D14/356
 D430,873 S * 9/2000 Parker D12/400
 6,195,053 B1 * 2/2001 Kodukula G06K 7/0004
 235/462.47
 6,224,424 B1 * 5/2001 Chen H01R 9/038
 439/607.42
 D444,811 S * 7/2001 Yamamoto D18/50
 D453,514 S * 2/2002 Elam D14/420
 D454,873 S * 3/2002 Clark D14/358
 6,832,141 B2 * 12/2004 Skeen G07C 5/008
 340/439
 D529,950 S * 10/2006 Katayama D18/50
 D571,241 S * 6/2008 Andreasen D10/78
 7,447,574 B1 * 11/2008 Washicko B60R 16/0207
 701/33.4
 D604,725 S * 11/2009 Chen D13/184
 D609,639 S * 2/2010 Kawahara D13/110
 7,771,075 B2 * 8/2010 Luyckx F21L 4/085
 362/183
 D656,124 S * 3/2012 Smith D14/204
 D681,555 S * 5/2013 Keates D13/147
 8,480,433 B2 * 7/2013 Huang B60R 16/0232
 439/620.21
 D709,836 S * 7/2014 Casagrande D13/156
 D724,977 S * 3/2015 Browning D10/80
 9,026,306 B2 * 5/2015 Wu G07C 5/0841
 701/33.2
 D741,861 S * 10/2015 Haidar D14/383
 D742,379 S * 11/2015 Haidar D14/383
 9,419,392 B2 * 8/2016 Kirkpatrick H01R 13/6683

D771,573 S * 11/2016 Lowchareonkul D13/156
 9,574,882 B2 * 2/2017 Schilling G01C 21/165
 9,595,789 B1 * 3/2017 Ehrman H01R 24/68
 D785,570 S * 5/2017 Fischer D13/138.1
 D788,776 S * 6/2017 Marzette, Jr. D14/358
 D798,296 S * 9/2017 Ali D14/358
 D802,593 S * 11/2017 Zhang D14/420
 D810,802 S * 2/2018 Schulze D16/202
 9,941,633 B2 * 4/2018 Simonazzi H01R 43/205
 D820,701 S * 6/2018 Buijsman D10/80
 D823,307 S * 7/2018 Zhang D14/420
 D826,864 S * 8/2018 Hoffart D13/147
 D833,437 S * 11/2018 Campanini D14/420
 D833,896 S * 11/2018 Fischer D10/65
 D852,194 S * 6/2019 Ciabattoni D14/420
 D856,178 S * 8/2019 Hou D10/80
 D863,304 S * 10/2019 Watanabe D14/420
 D865,639 S * 11/2019 Adams, III D12/400
 D865,640 S * 11/2019 Adams, III D12/400
 10,535,261 B2 * 1/2020 Alqahtani G08G 1/0969
 D875,578 S * 2/2020 Simard D10/78
 D888,052 S * 6/2020 Manoharan D14/357
 D904,910 S * 12/2020 Bernhardt D10/75
 D908,090 S * 1/2021 Link D13/133
 D918,075 S * 5/2021 Shu D10/78
 11,005,220 B2 * 5/2021 Kanakasabhapathi
 H01R 12/82
 D923,499 S * 6/2021 Lee D10/78
 D928,712 S * 8/2021 Cheung D13/137.2
 2004/0149829 A1 * 8/2004 Boucher A47F 9/046
 235/462.43
 2008/0225368 A1 * 9/2008 Ciabattoni G02B 26/121
 359/216.1
 2008/0255718 A1 * 10/2008 Tuff G07C 5/0858
 701/32.6
 2010/0133344 A1 * 6/2010 Yamanouchi G06K 7/10702
 235/462.43
 2010/0277330 A1 * 11/2010 Gentilini G06K 7/10881
 340/679
 2011/0227709 A1 * 9/2011 Story G07C 5/008
 340/10.42
 2011/0270485 A1 * 11/2011 Jones B60R 16/023
 701/31.4
 2011/0313593 A1 * 12/2011 Cohen G01S 19/16
 701/2
 2013/0013813 A1 * 1/2013 Lee H04M 1/72412
 710/5
 2013/0038985 A1 * 2/2013 Powell G06K 7/109
 361/679.01
 2014/0052531 A1 * 2/2014 Kent G06Q 30/02
 705/14.49
 2014/0067195 A1 * 3/2014 James G06Q 10/02
 701/32.4
 2015/0081163 A1 * 3/2015 Molenkamp G07C 5/00
 701/33.2
 2016/0063293 A1 * 3/2016 Sun G06K 7/10891
 235/462.44
 2016/0226189 A1 * 8/2016 Simonazzi H01R 13/6275
 2016/0322730 A1 * 11/2016 Sasaki H01R 13/193
 2017/0020011 A1 * 1/2017 Fantin H01R 13/6658
 2017/0229812 A1 * 8/2017 Ehrman H01R 13/62916
 2018/0132082 A1 * 5/2018 Vijayan H04W 4/44

* cited by examiner

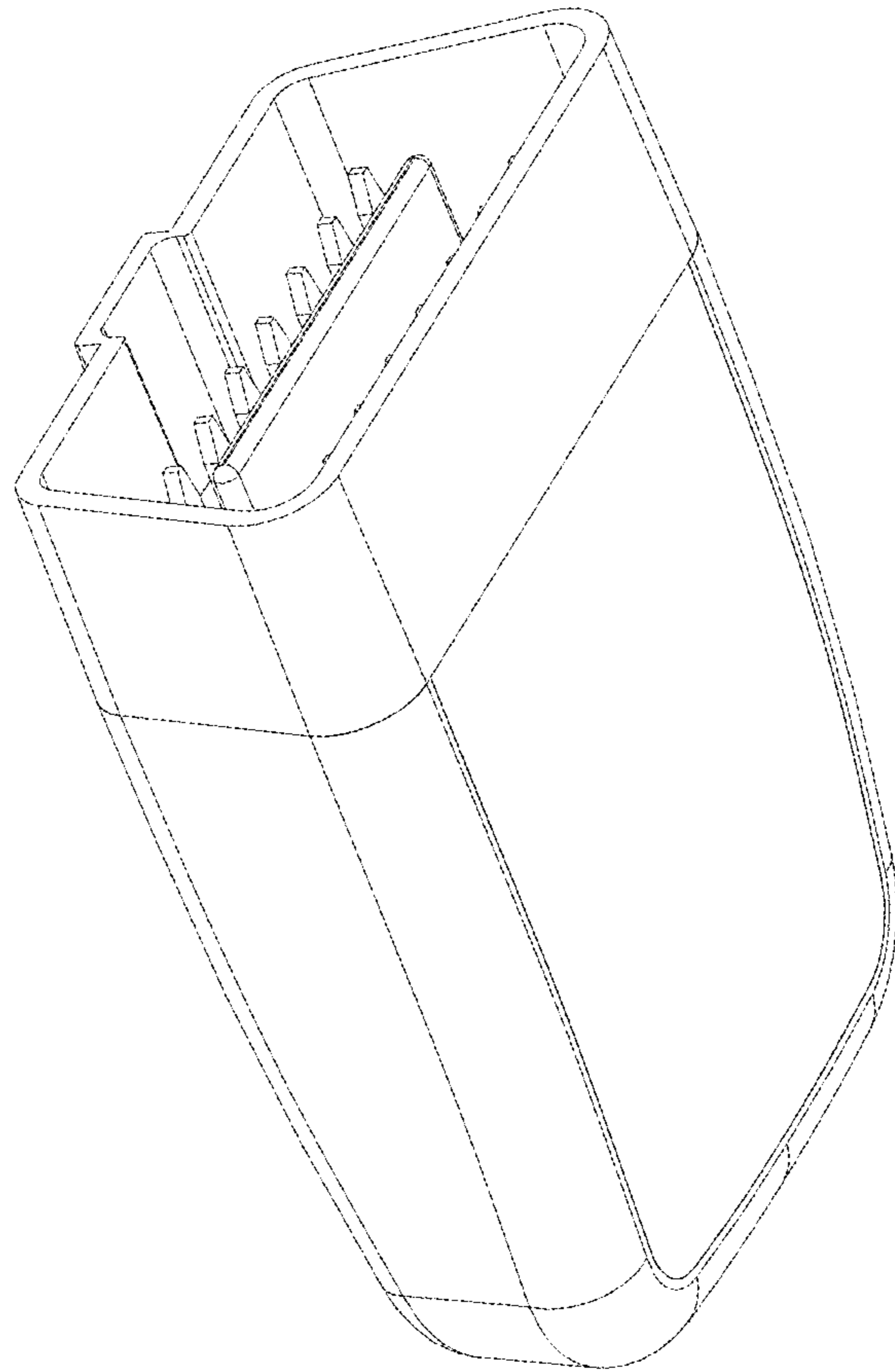


FIG. 1

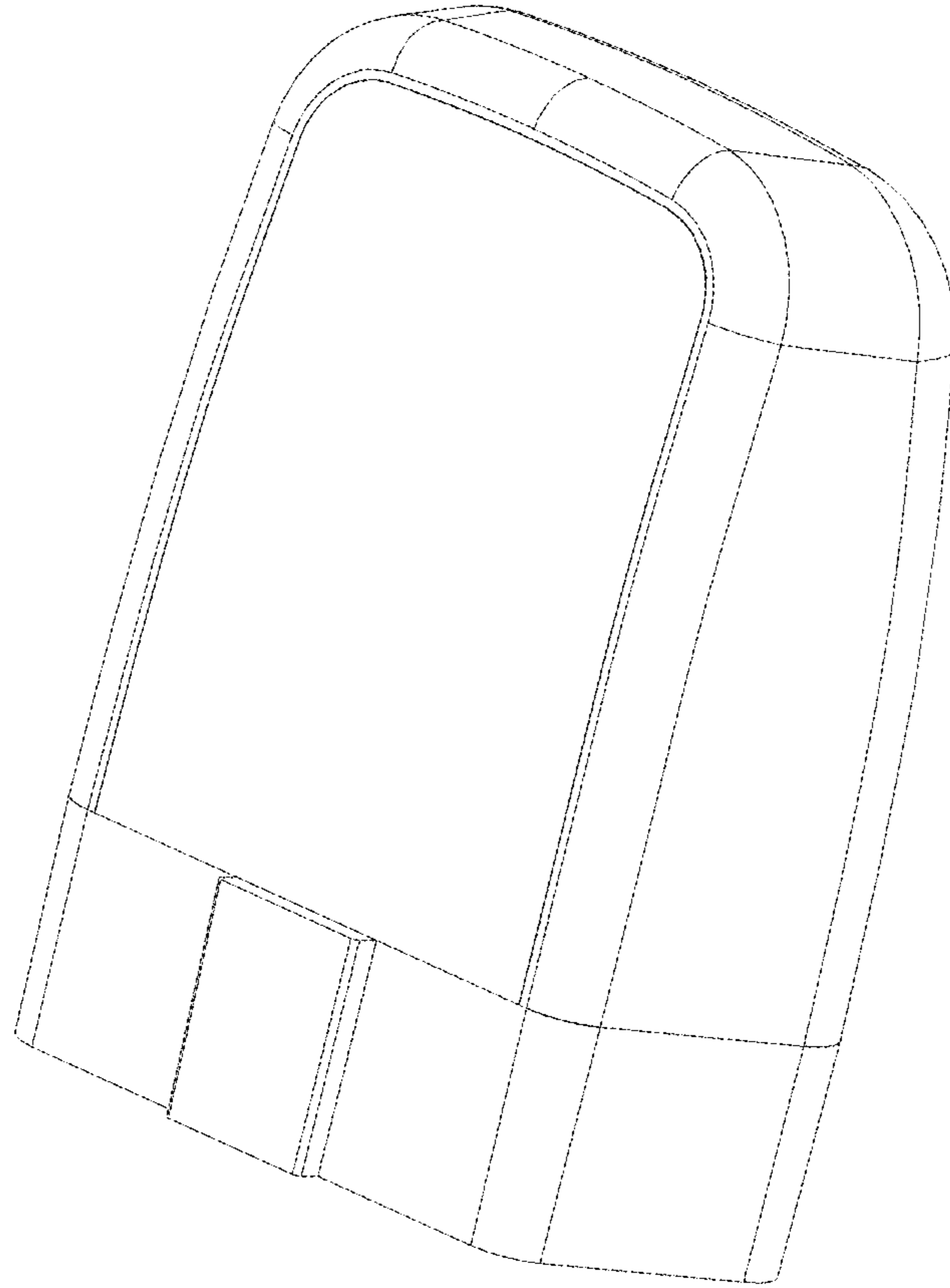


FIG. 2

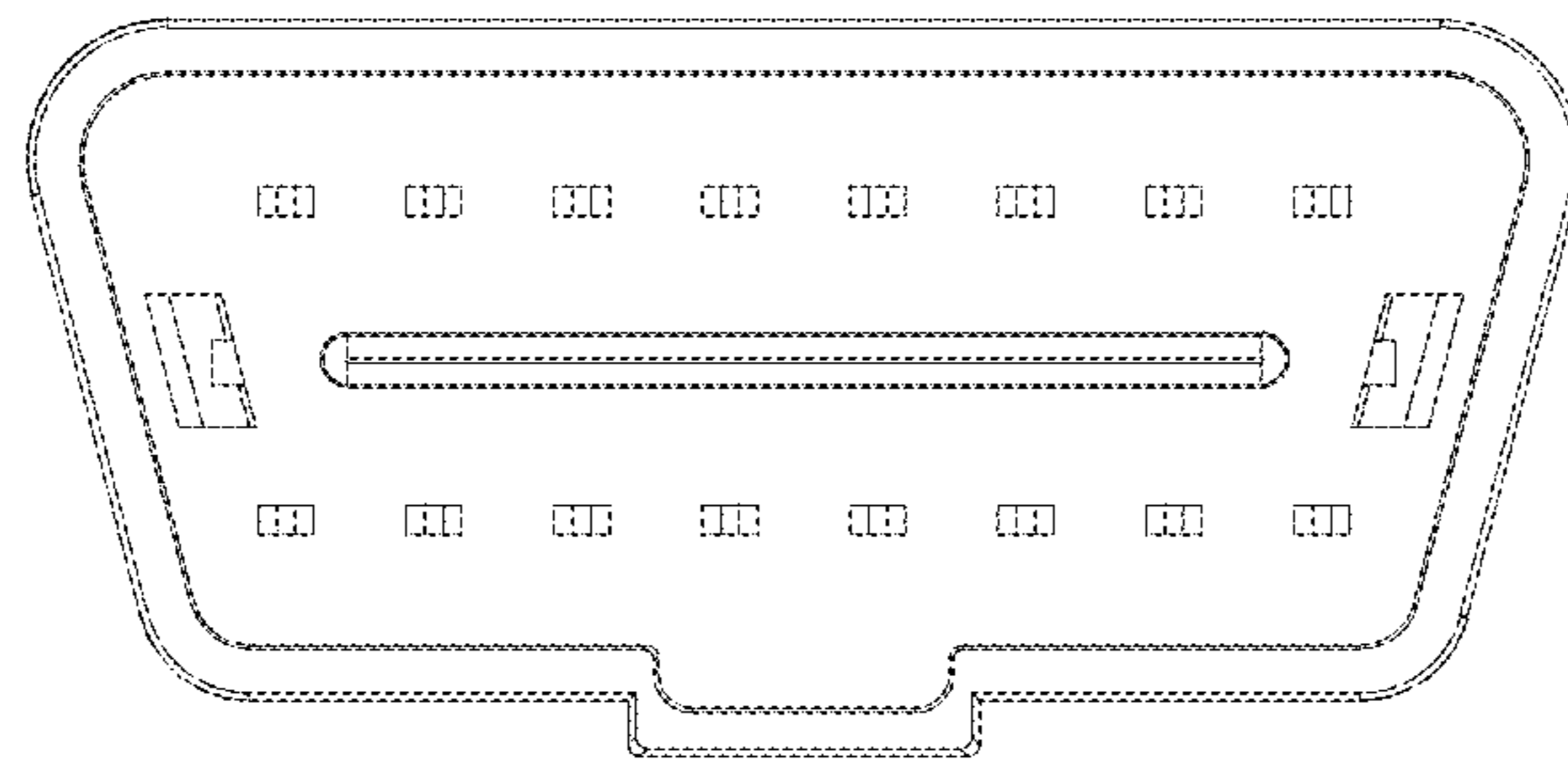


FIG. 3

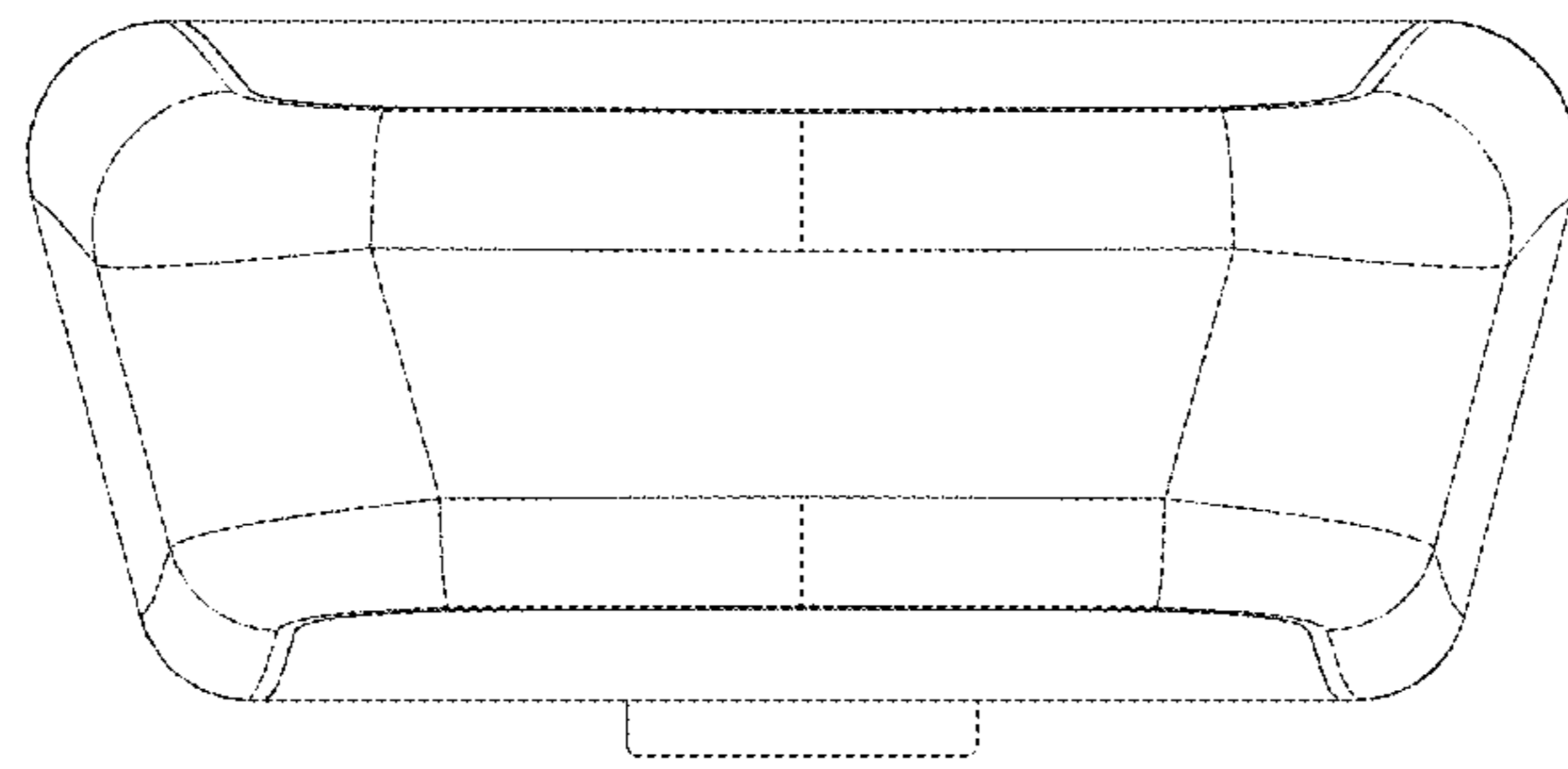


FIG. 4

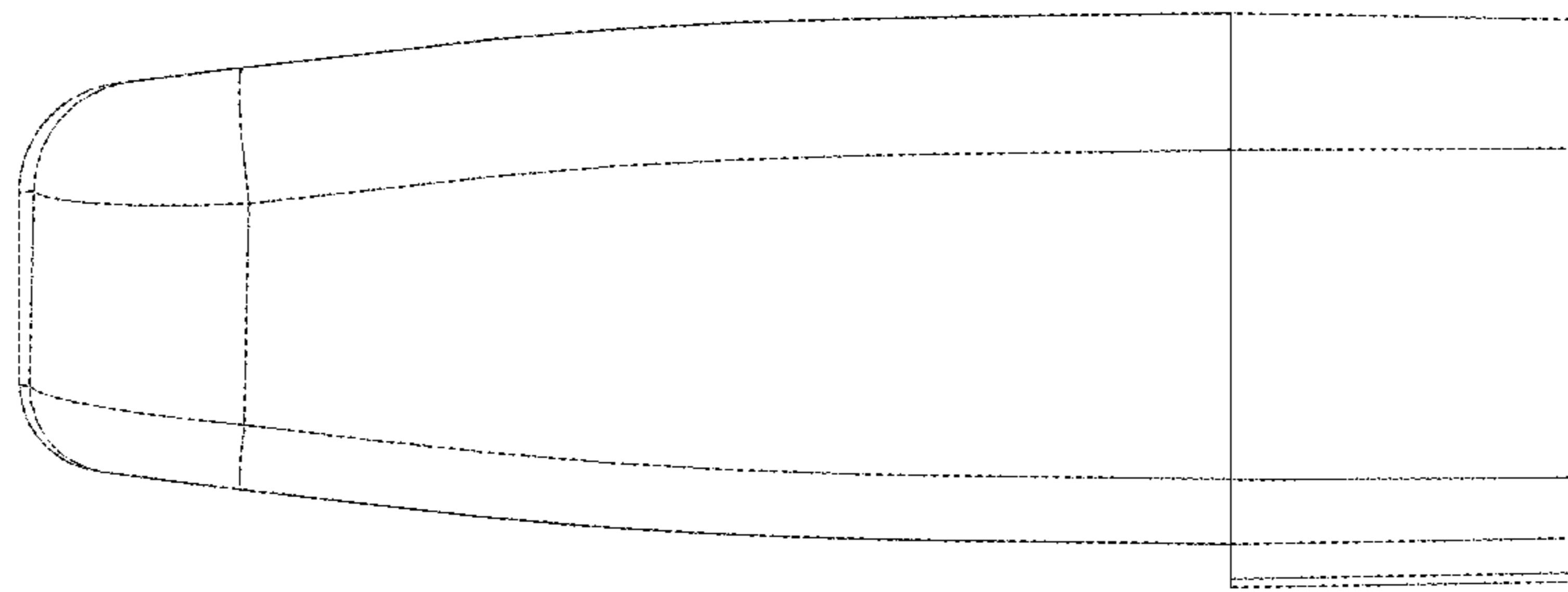


FIG. 5

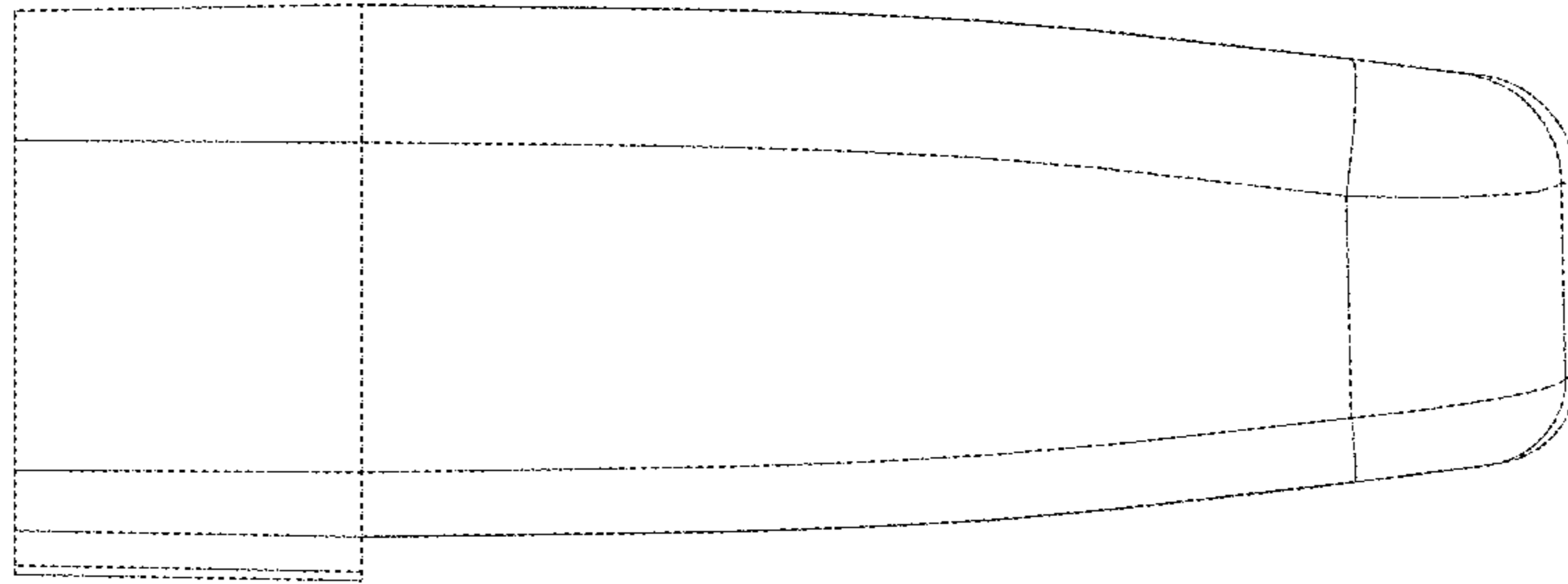


FIG. 6

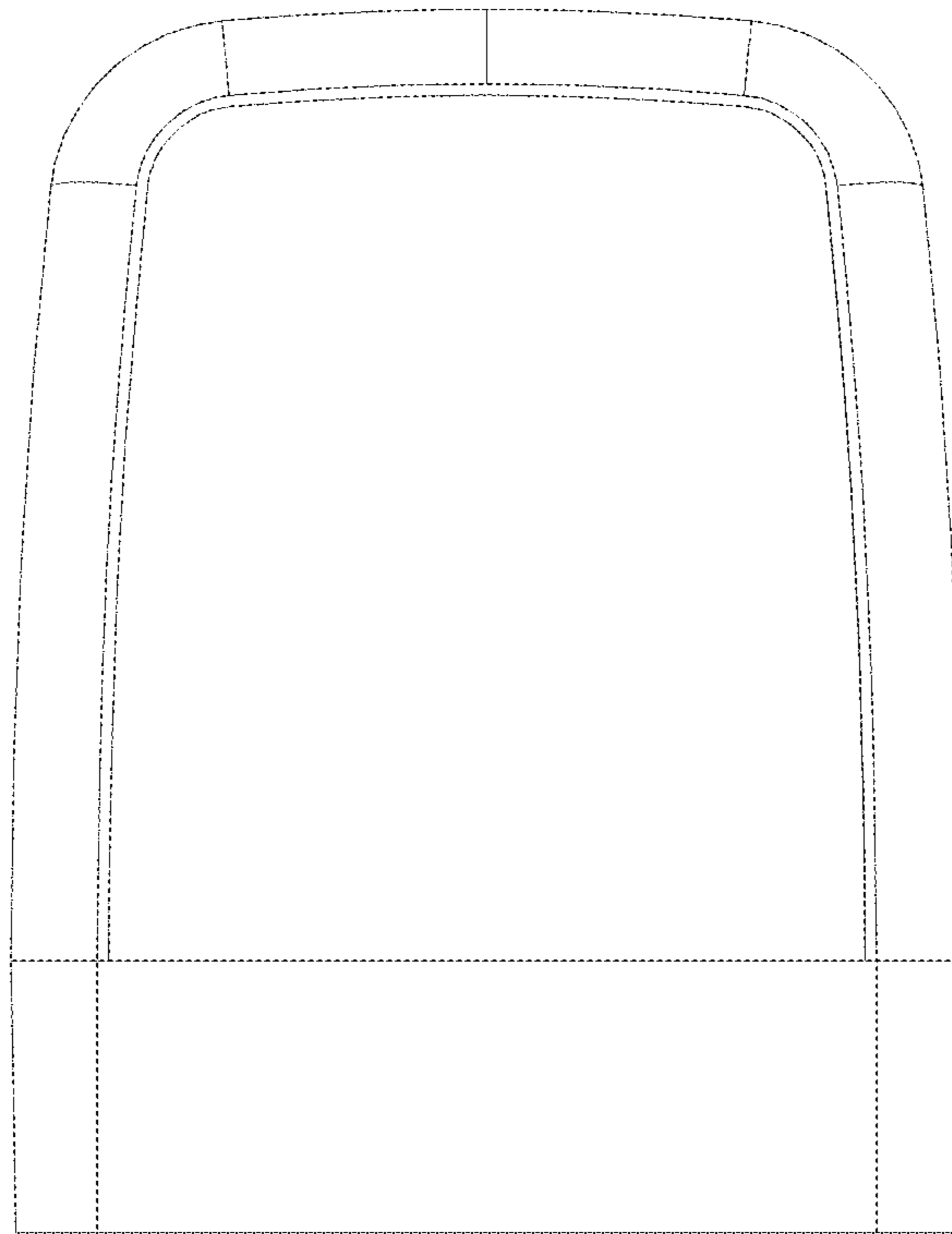


FIG. 7

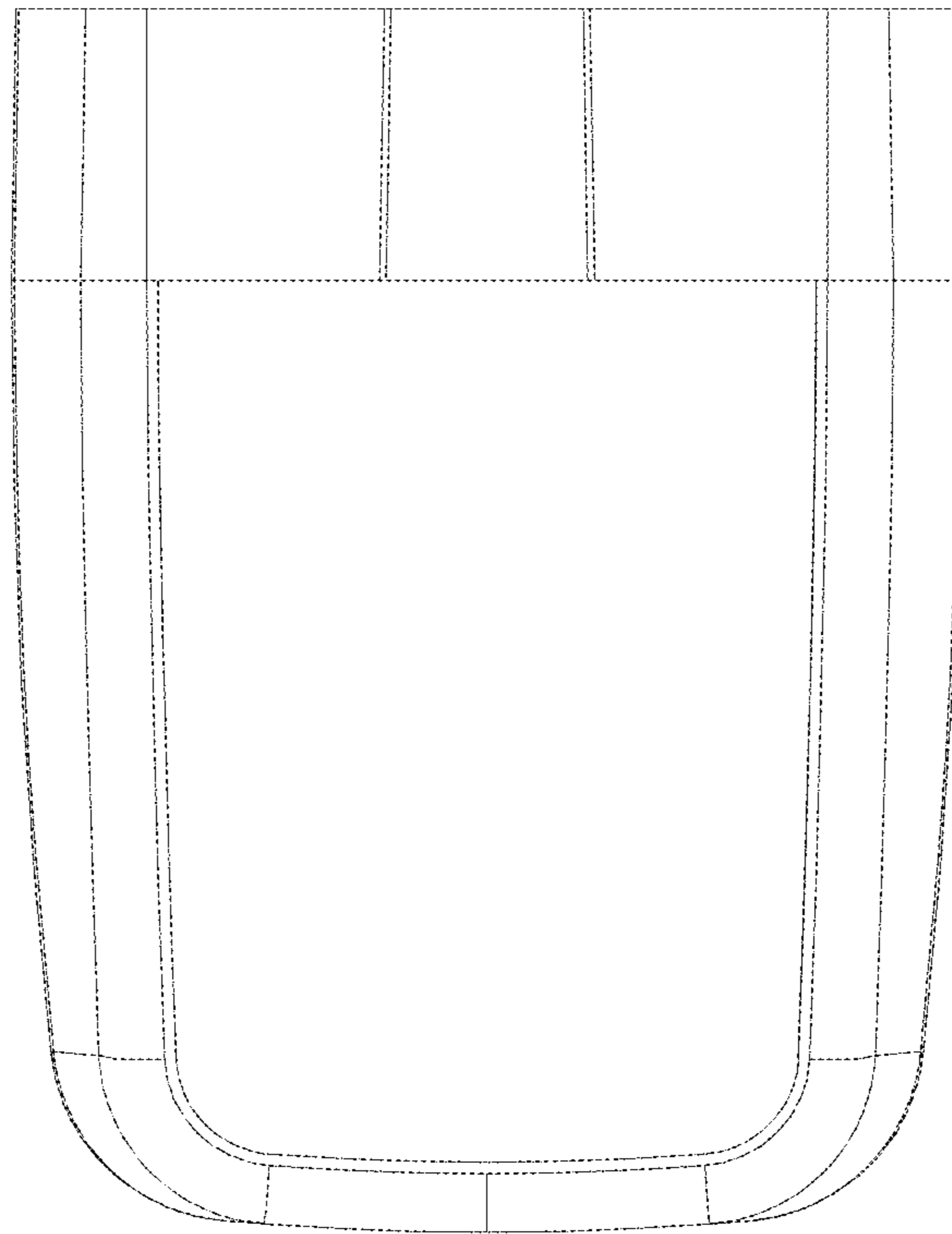


FIG. 8