



US00D951947S

(12) **United States Design Patent**  
**Jin**

(10) **Patent No.:** **US D951,947 S**

(45) **Date of Patent:** **\*\* May 17, 2022**

(54) **TOUCH PEN**

(71) Applicant: **SHENZHEN JINJI DIGITAL TECHNOLOGY CO., LTD.**, Shenzhen (CN)

(72) Inventor: **Jiazhe Jin**, Hefei (CN)

(73) Assignee: **SHENZHEN JINJI DIGITAL TECHNOLOGY CO., LTD.**, Shenzhen (CN)

(\*\*) Term: **15 Years**

(21) Appl. No.: **29/767,365**

(22) Filed: **Jan. 21, 2021**

(30) **Foreign Application Priority Data**

Sep. 14, 2020 (CN) ..... 202030543707.3

(51) **LOC (13) Cl.** ..... **14-02**

(52) **U.S. Cl.**  
USPC ..... **D14/411**

(58) **Field of Classification Search**  
USPC ..... D14/372, 496, 432, 371, 125, 126, 129, D14/299, 411; D16/300-342; 351/158, 351/153, 144; 345/7-9, 905; 455/344; 348/115, 53, 121, 739  
CPC ..... G02B 27/017; G06F 3/016; G06F 3/033; G06F 3/0317; G06F 3/03545; G06F 3/041; G06K 9/222

See application file for complete search history.

(56) **References Cited**

U.S. PATENT DOCUMENTS

D681,113 S *	4/2013	Huang	.....	D19/928
D826,230 S *	8/2018	Peterson	.....	D14/411
D832,840 S *	11/2018	Shi	.....	D14/411
D921,628 S *	6/2021	Huang	.....	D14/411
D921,632 S *	6/2021	Huang	.....	D14/411
D936,652 S *	11/2021	Cen	.....	D14/411
D936,655 S *	11/2021	Wu	.....	D14/411
D943,582 S *	2/2022	Mo	.....	D14/411
D943,583 S *	2/2022	Mo	.....	D14/411

\* cited by examiner

*Primary Examiner* — Austin Murphy

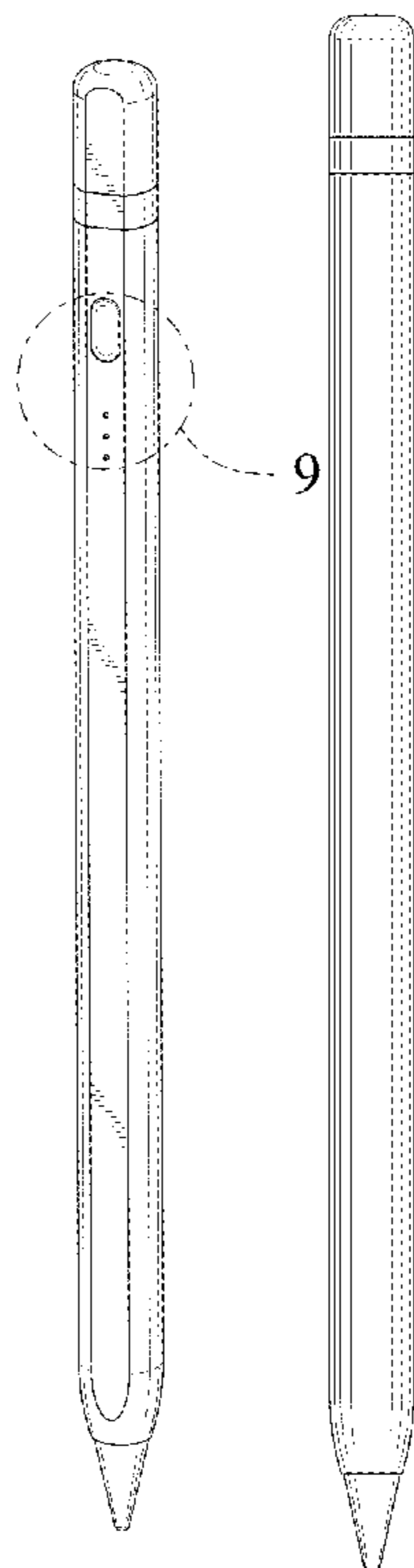
(57) **CLAIM**

The ornamental design for a touch pen, as shown and described.

**DESCRIPTION**

FIG. 1 is a perspective view of a touch pen showing my new design;  
FIG. 2 is a front elevational view thereof;  
FIG. 3 is a rear elevational view thereof;  
FIG. 4 is a left side elevational view thereof;  
FIG. 5 is a right side elevational view thereof;  
FIG. 6 is a top plan view thereof;  
FIG. 7 is a bottom plan view thereof;  
FIG. 8 is a perspective view of the touch pen where a pen head is separated from a pen body;  
FIG. 9 is an enlarged view of portion 9 shown in FIG. 1; and,  
FIG. 10 is an enlarged view of portion 10 shown in FIG. 8.

**1 Claim, 6 Drawing Sheets**



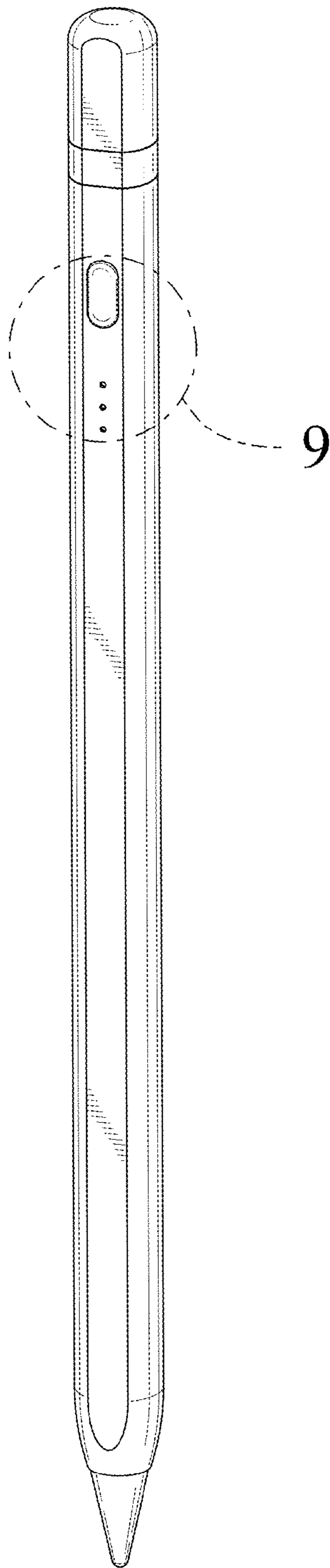


FIG. 1

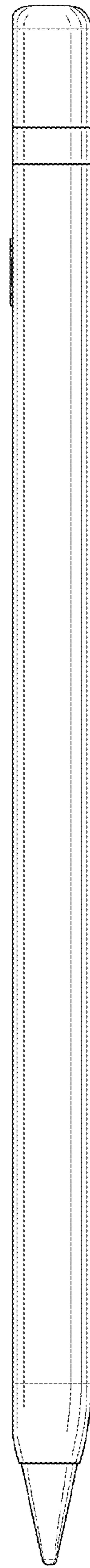
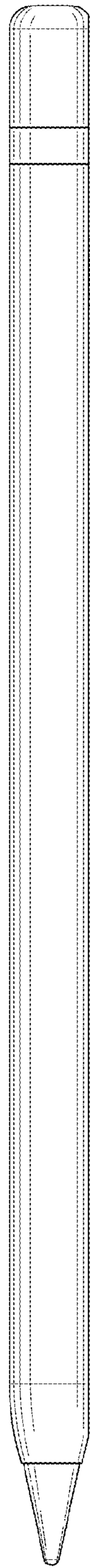
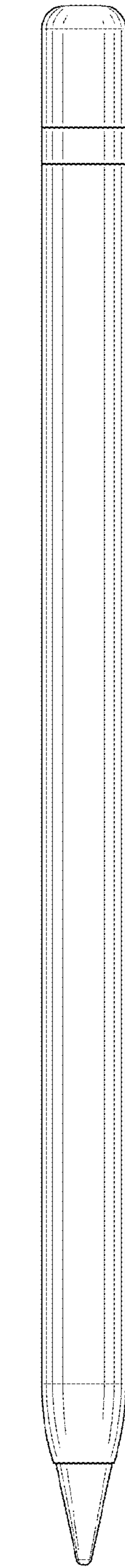
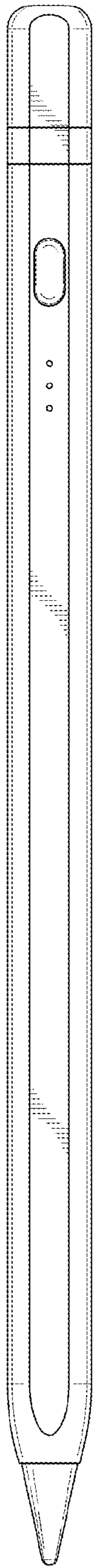


FIG. 2

FIG. 3

FIG. 4

FIG. 5

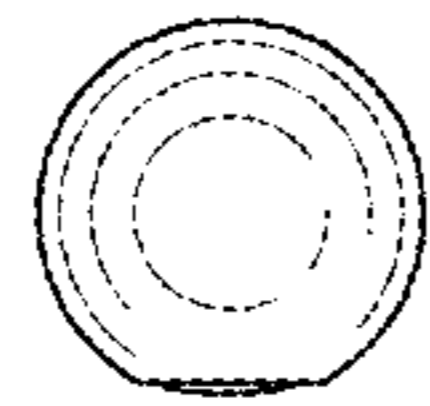


FIG. 6

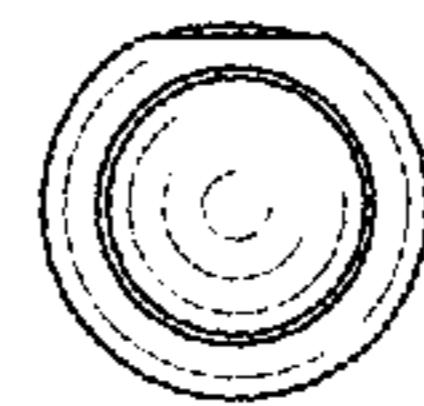


FIG. 7

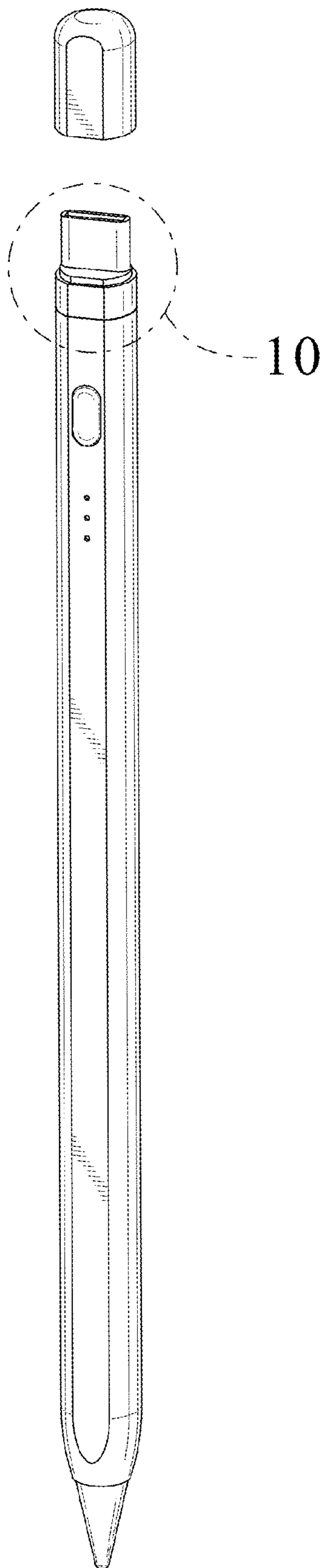


FIG. 8

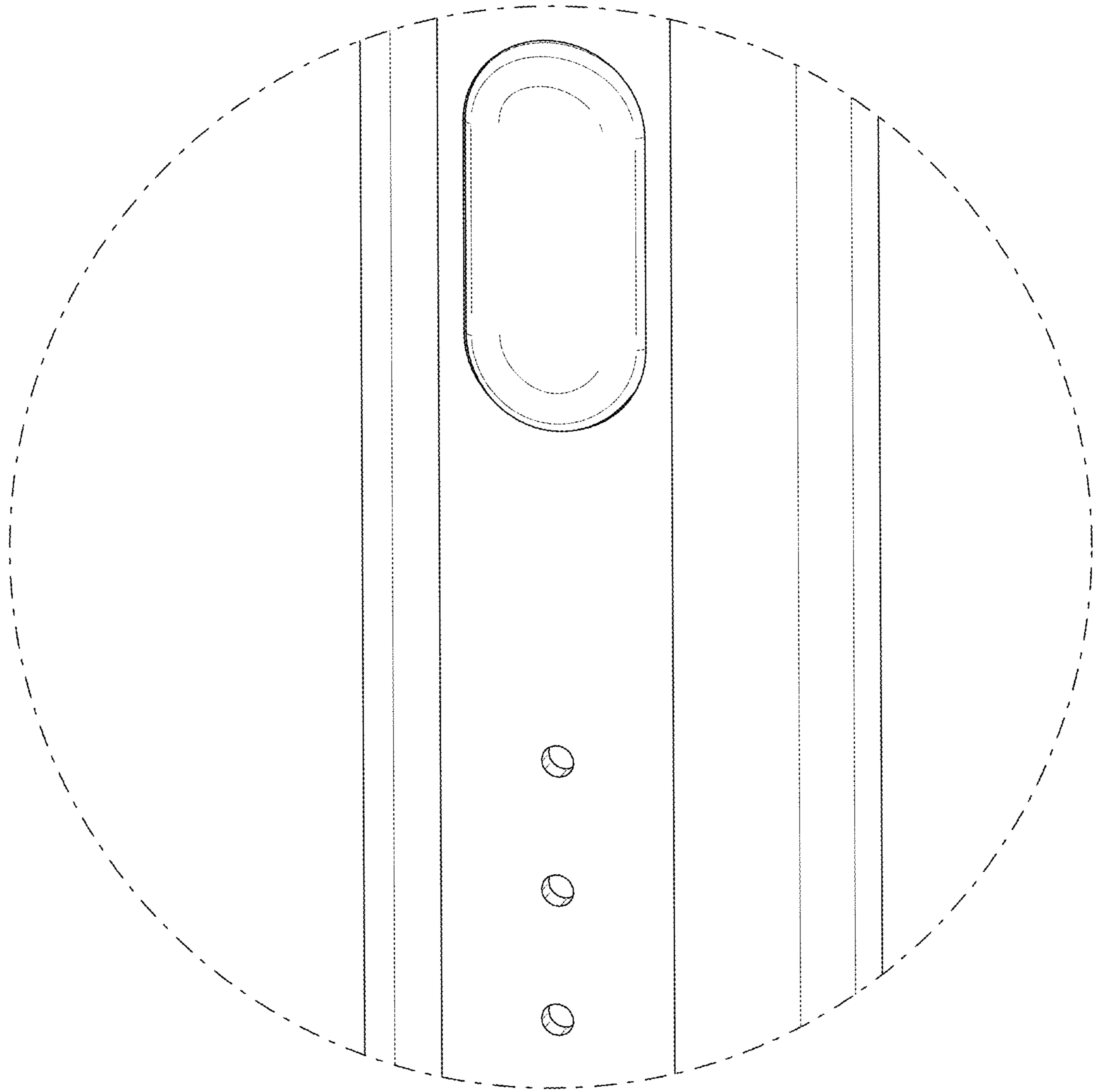


FIG. 9

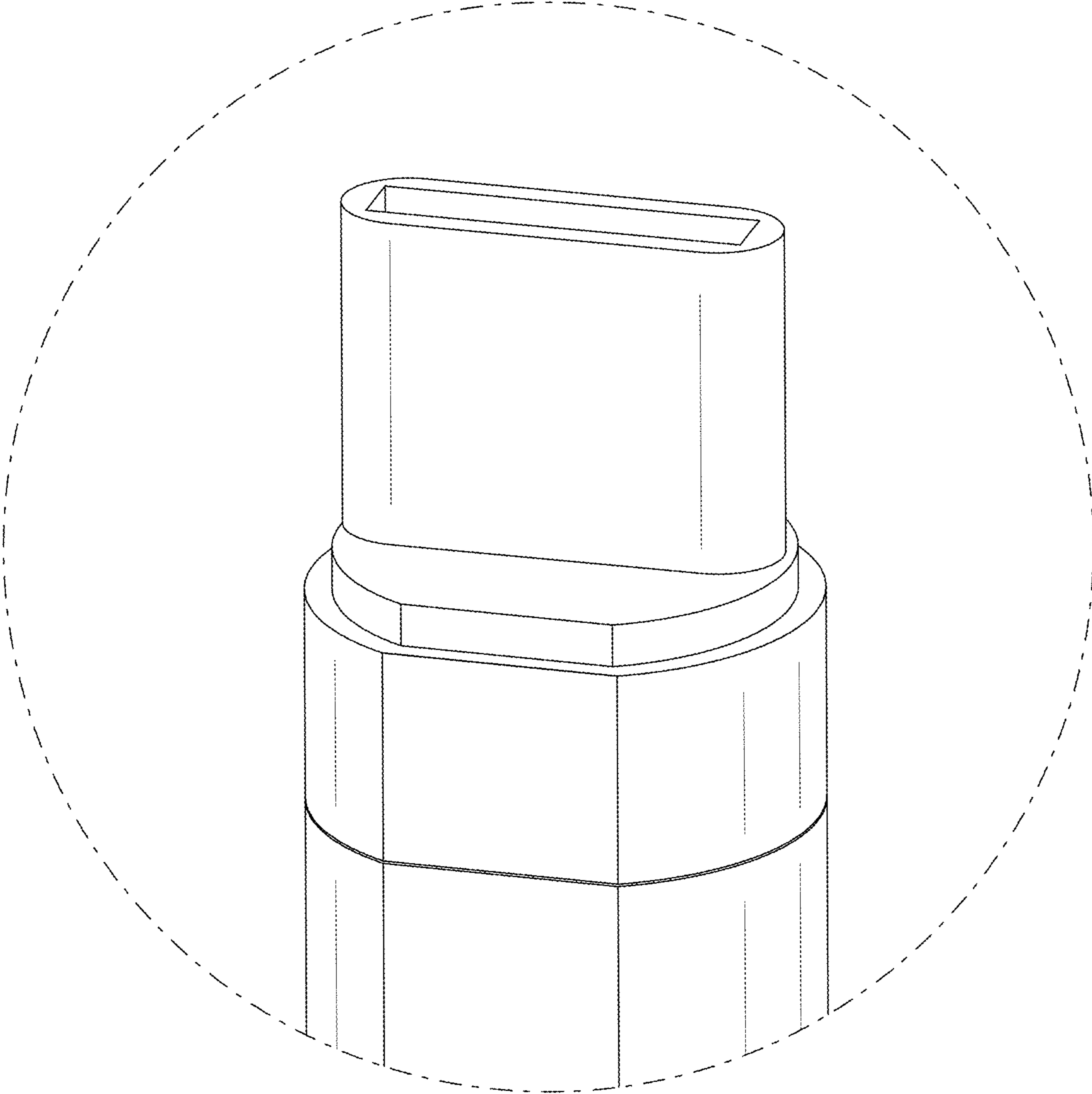


FIG. 10