



US00D951943S

(12) **United States Design Patent**
Wang et al.

(10) **Patent No.:** **US D951,943 S**
(45) **Date of Patent:** **** May 17, 2022**

(54) **REMOTE CONTROL**

(71) Applicant: **AUTEL ROBOTICS CO., LTD.**,
Shenzhen (CN)

(72) Inventors: **Yongshuai Wang**, Shenzhen (CN);
Juntian Jiang, Shenzhen (CN)

(73) Assignee: **AUTEL ROBOTICS CO., LTD.**,
Shenzhen (CN)

(**) Term: **15 Years**

(21) Appl. No.: **29/643,585**

(22) Filed: **Apr. 10, 2018**

(30) **Foreign Application Priority Data**

Oct. 24, 2017 (CN) 201730509556.8

(51) **LOC (13) Cl.** **14-02**

(52) **U.S. Cl.**

USPC **D14/401**; D21/333

(58) **Field of Classification Search**

USPC D14/174, 218, 387-389, 400-418,

D14/426-431, 443, 449-450, 454, 471,

D14/511; D21/333, 363, 368; D13/168

CPC A63F 13/42; A63F 13/98; A63F 13/24;

G06F 3/0338

See application file for complete search history.

(56) **References Cited**

U.S. PATENT DOCUMENTS

D434,770 S * 12/2000 Goto D14/401

D494,156 S * 8/2004 Chen D14/240

D672,397 S * 12/2012 Wai D21/333
D744,596 S * 12/2015 Young D21/333
D749,527 S * 2/2016 Li D13/168
D783,097 S * 4/2017 Sanlerville D21/556
D864,312 S * 10/2019 Kim D21/566

OTHER PUBLICATIONS

“What’s In The Box?” Jun. 21, 2018, site visited Sep. 10, 2020:
<https://youtu.be/i4n2FRsq95g> (Year: 2018).*

* cited by examiner

Primary Examiner — Michael C Stout

Assistant Examiner — Melvin L Davis

(57) **CLAIM**

We claim the ornamental design for a remote control, as shown and described.

DESCRIPTION

FIG. 1 is a perspective view of a remote control showing our new design;

FIG. 2 is a front elevational view thereof;

FIG. 3 is a rear elevational view thereof;

FIG. 4 is a left side elevational view thereof;

FIG. 5 is a right side elevational view thereof;

FIG. 6 is a top plan view thereof; and

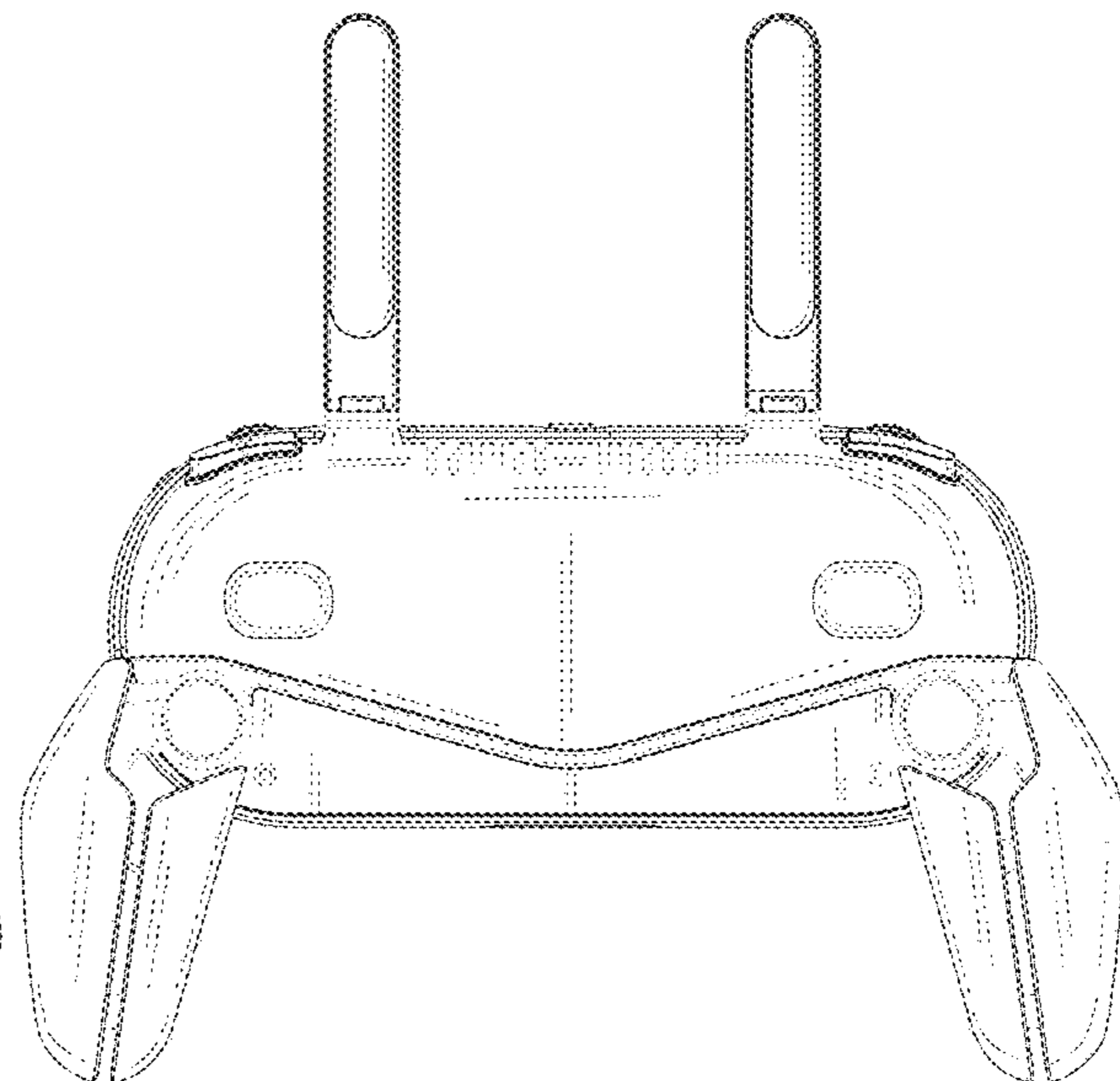
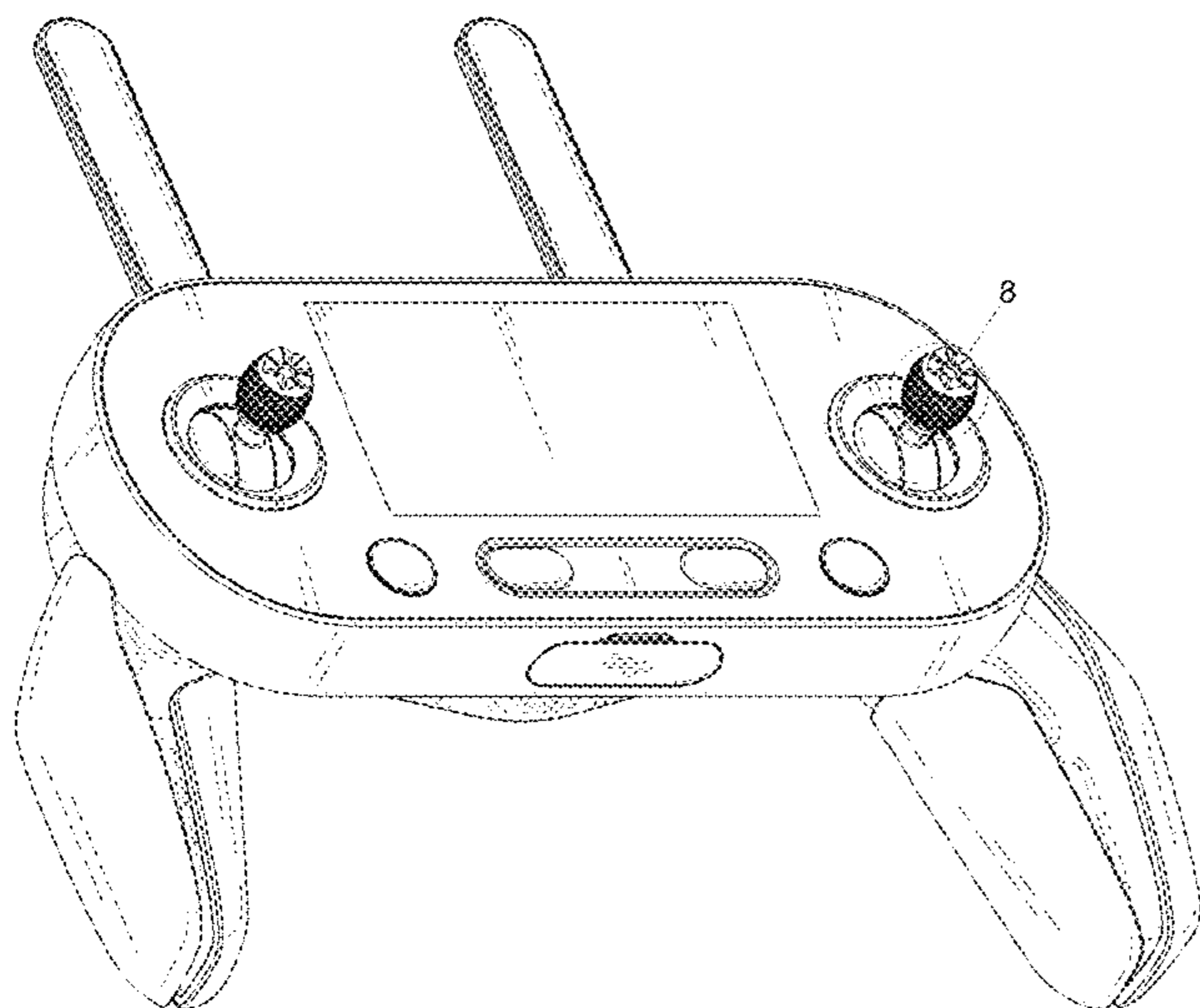
FIG. 7 is a bottom plan view thereof.

FIG. 8 is an enlarged view of the joysticks bumpers textured portion called out in FIG. 1; and,

FIG. 9 is an enlarged view of the rotary dial bumpers textured portion called out in FIG. 6.

The broken line showing of the Remote Control is for the purpose of illustrating portions of the article that forms no part of the claimed design. The broken line in FIGS. 1 and 6 demarcating the textured elements are for purposes of annotation and form no part of the claimed design.

1 Claim, 7 Drawing Sheets



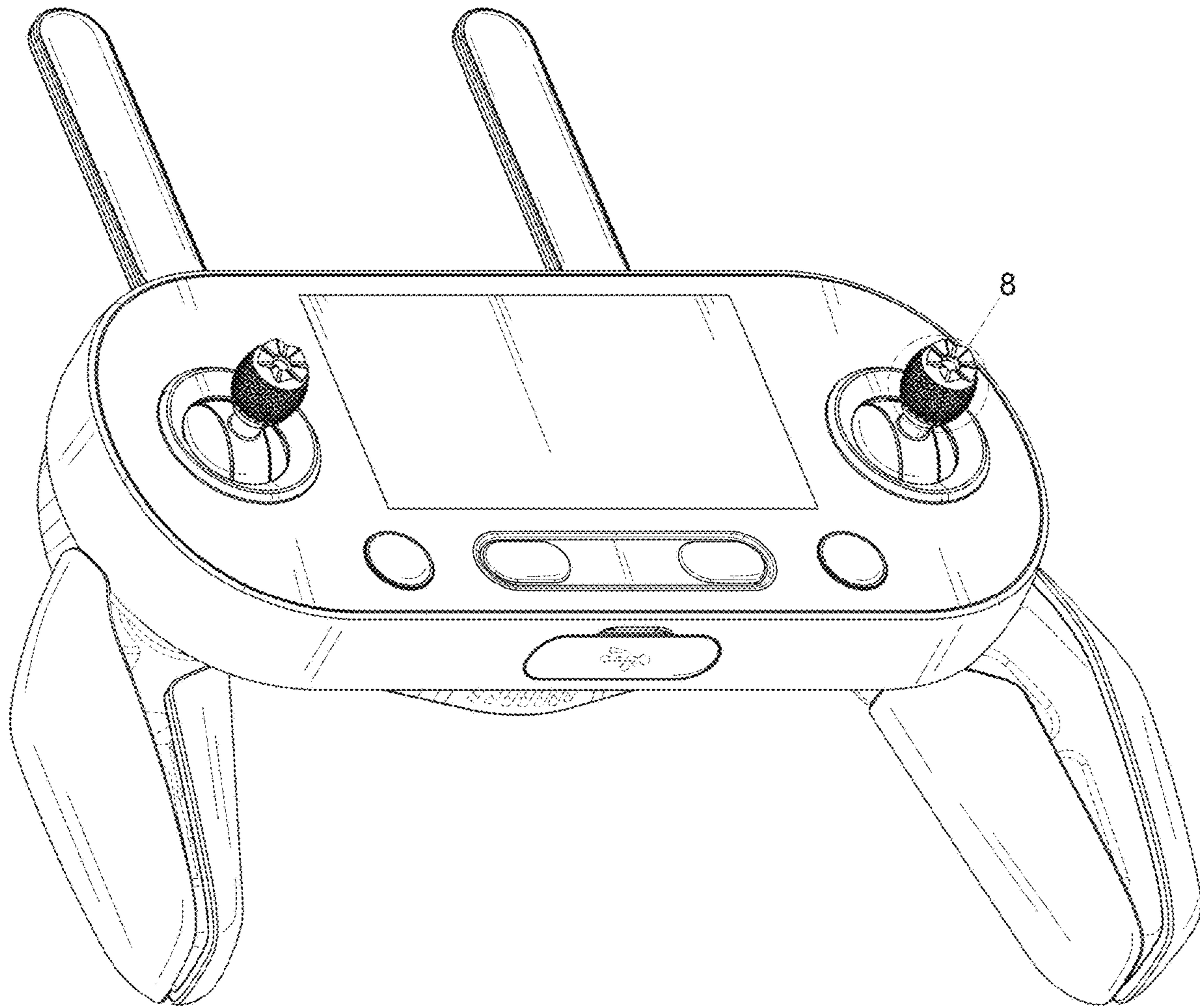


FIG. 1

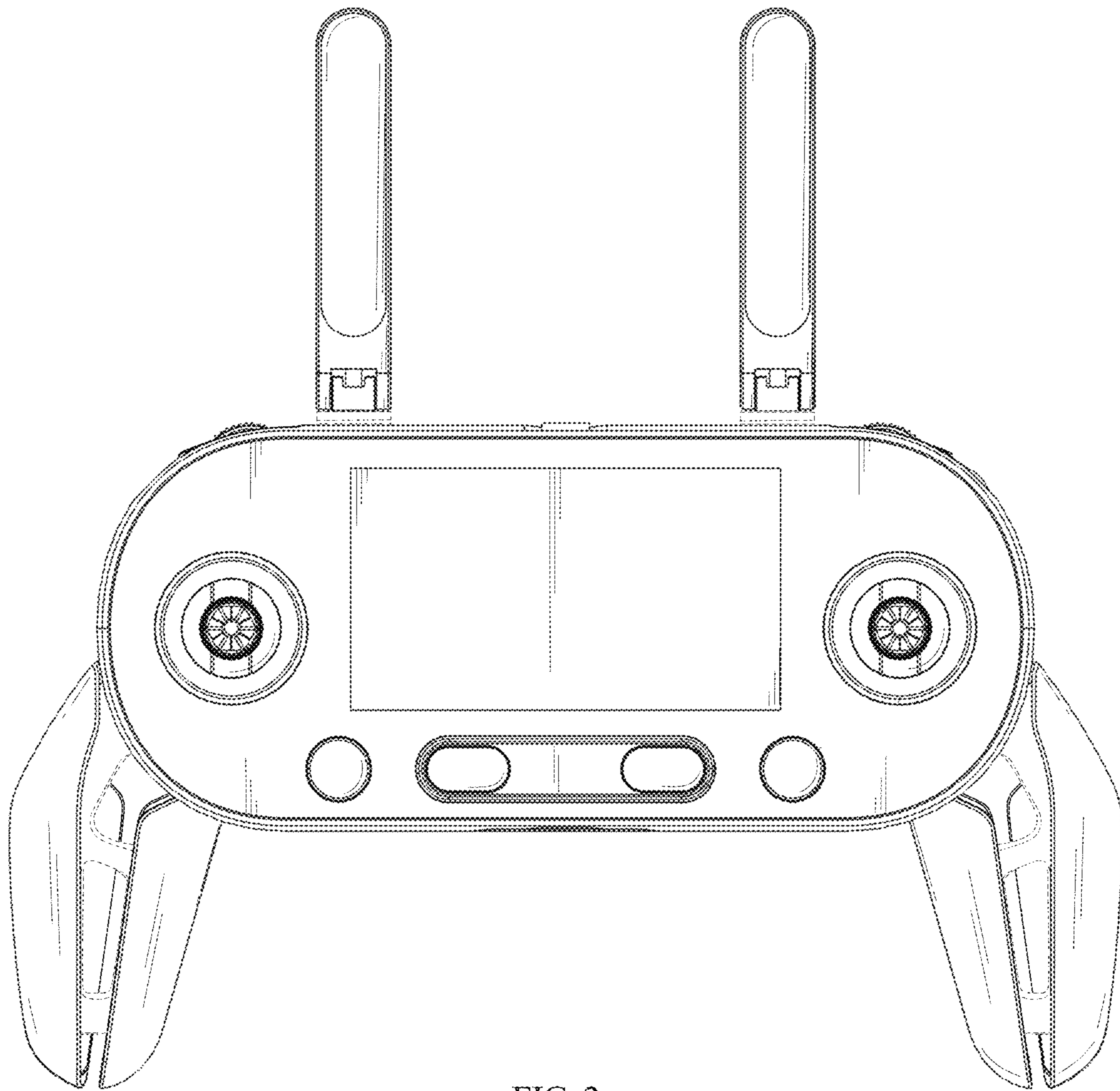


FIG. 2

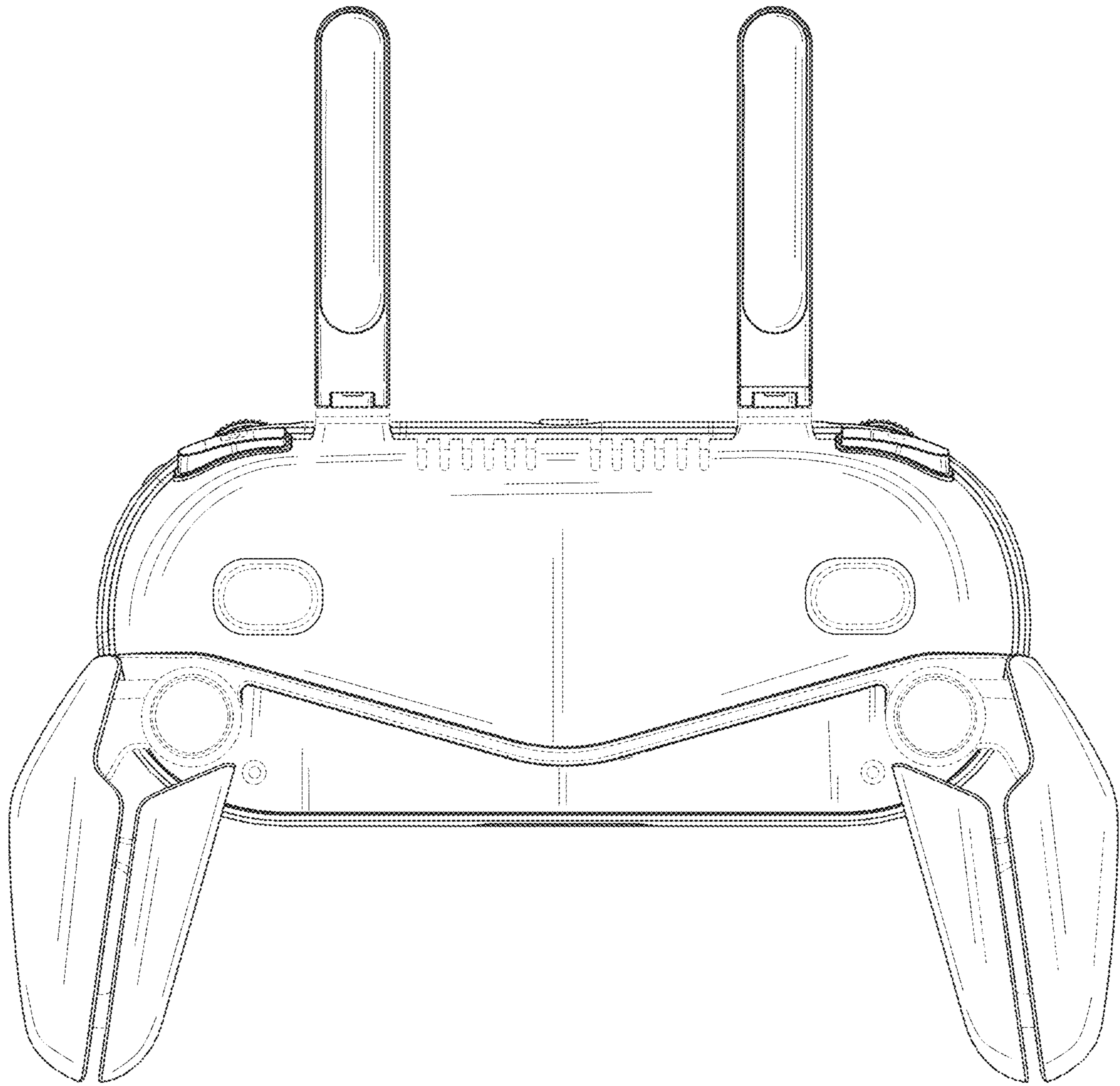


FIG. 3

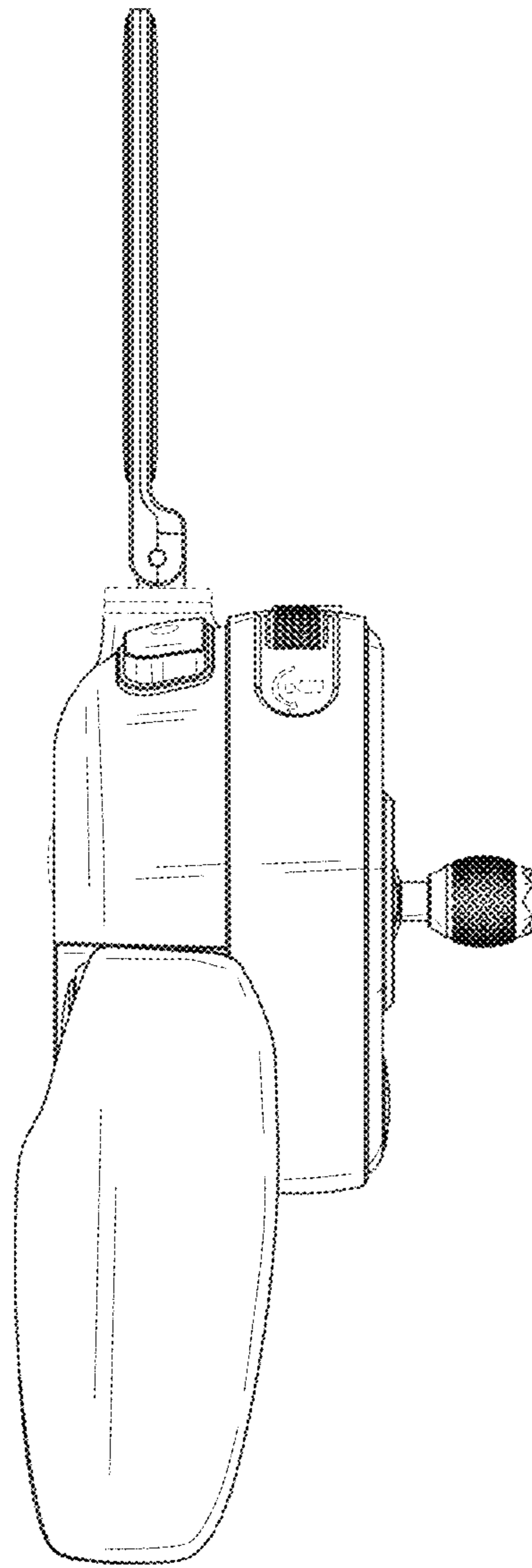


FIG. 4

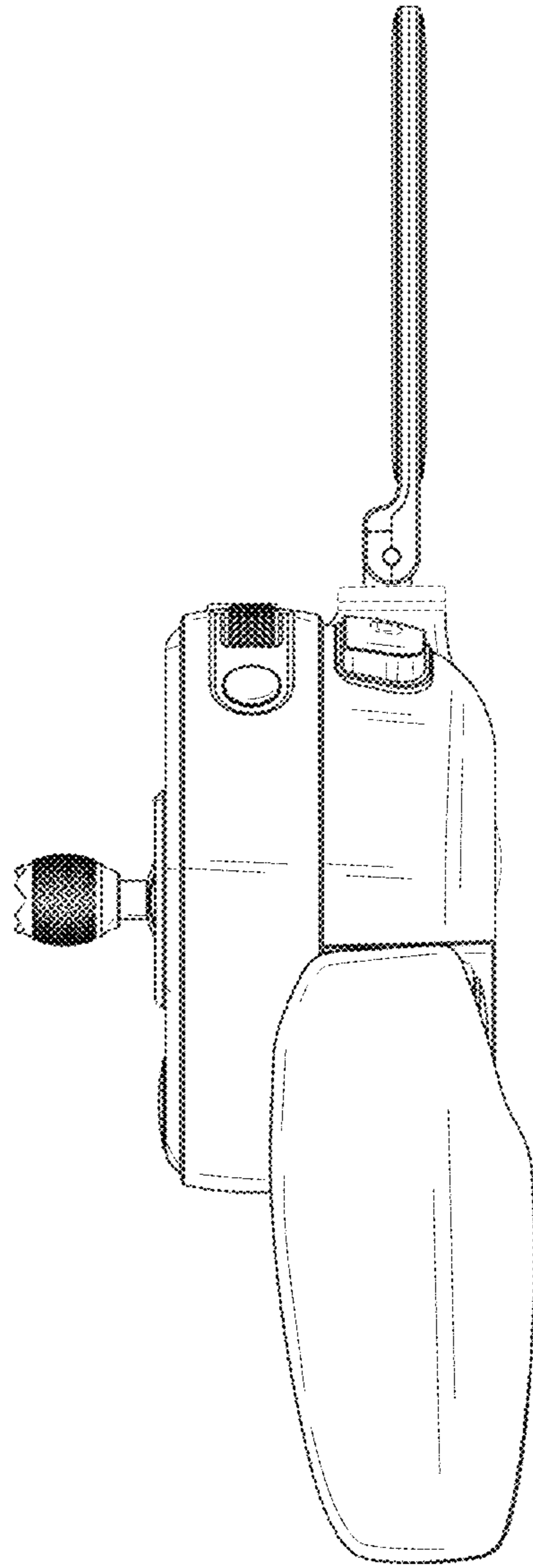


FIG. 5

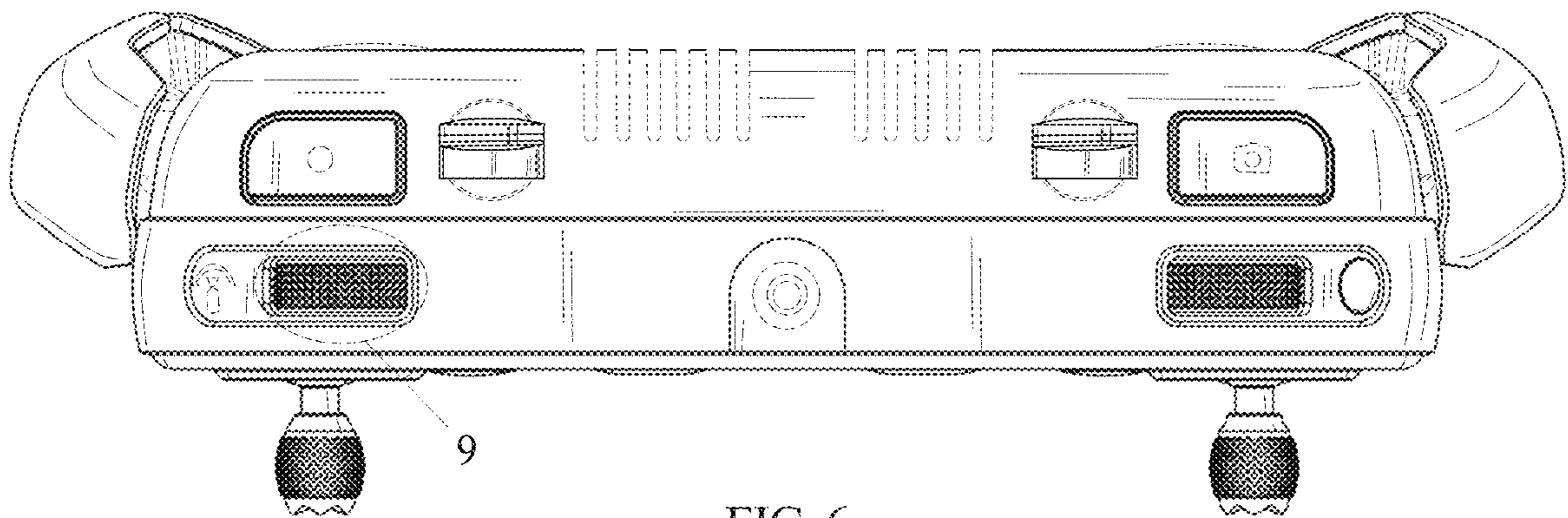


FIG. 6

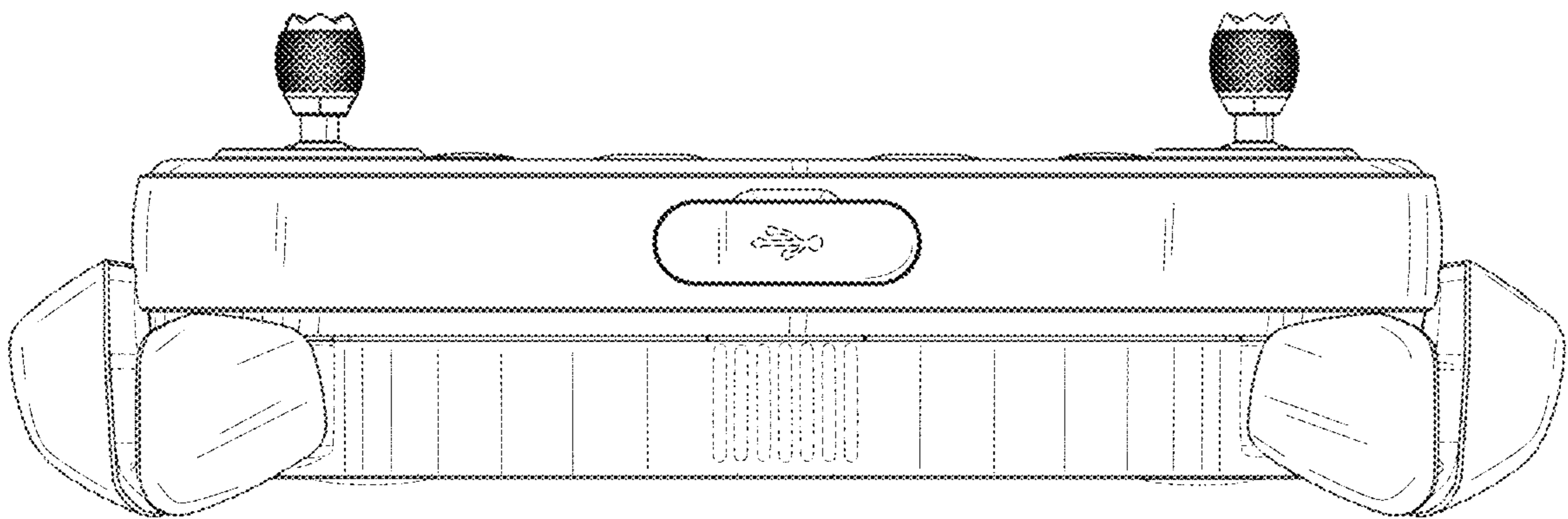


FIG. 7

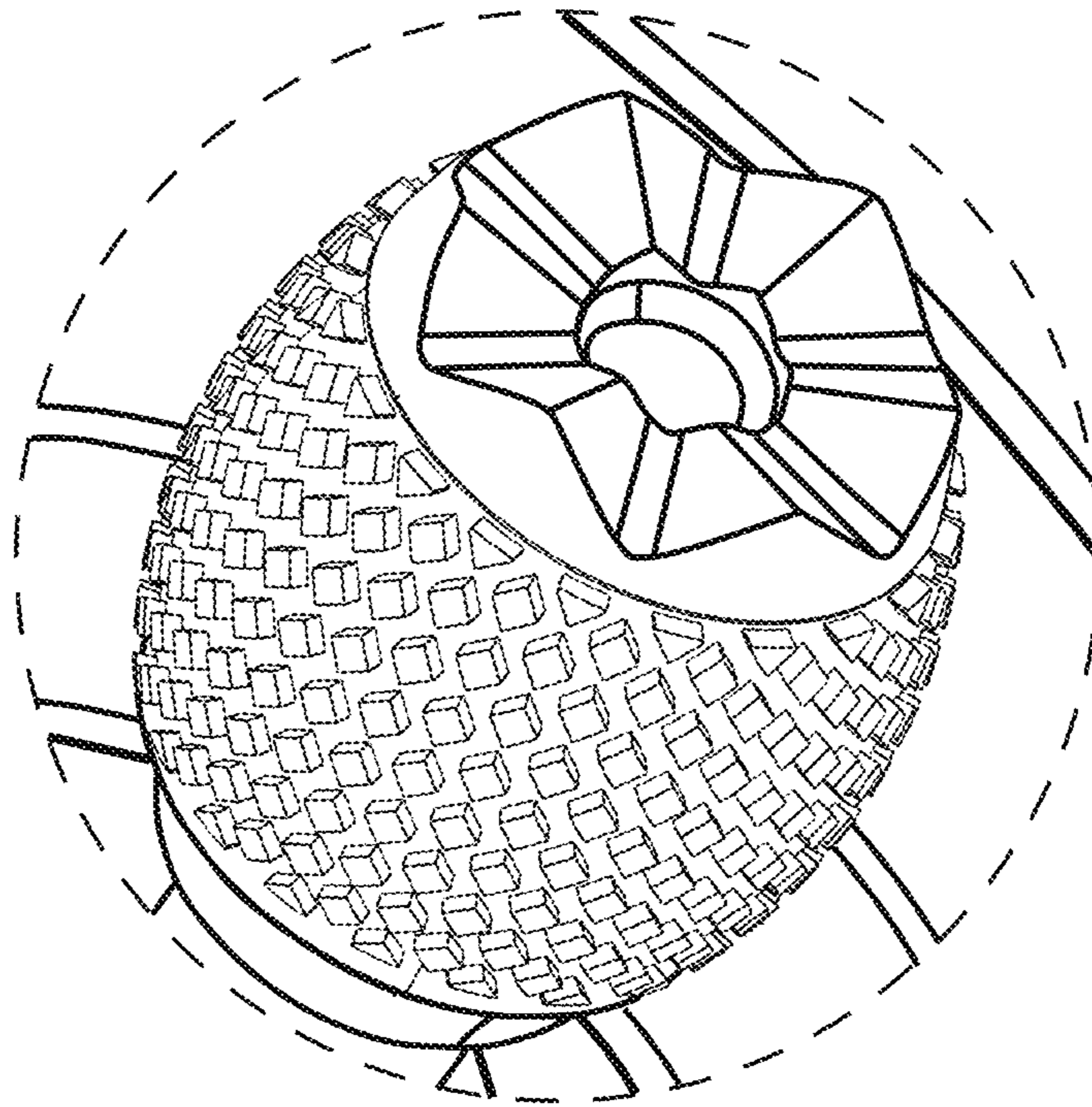


FIG. 8

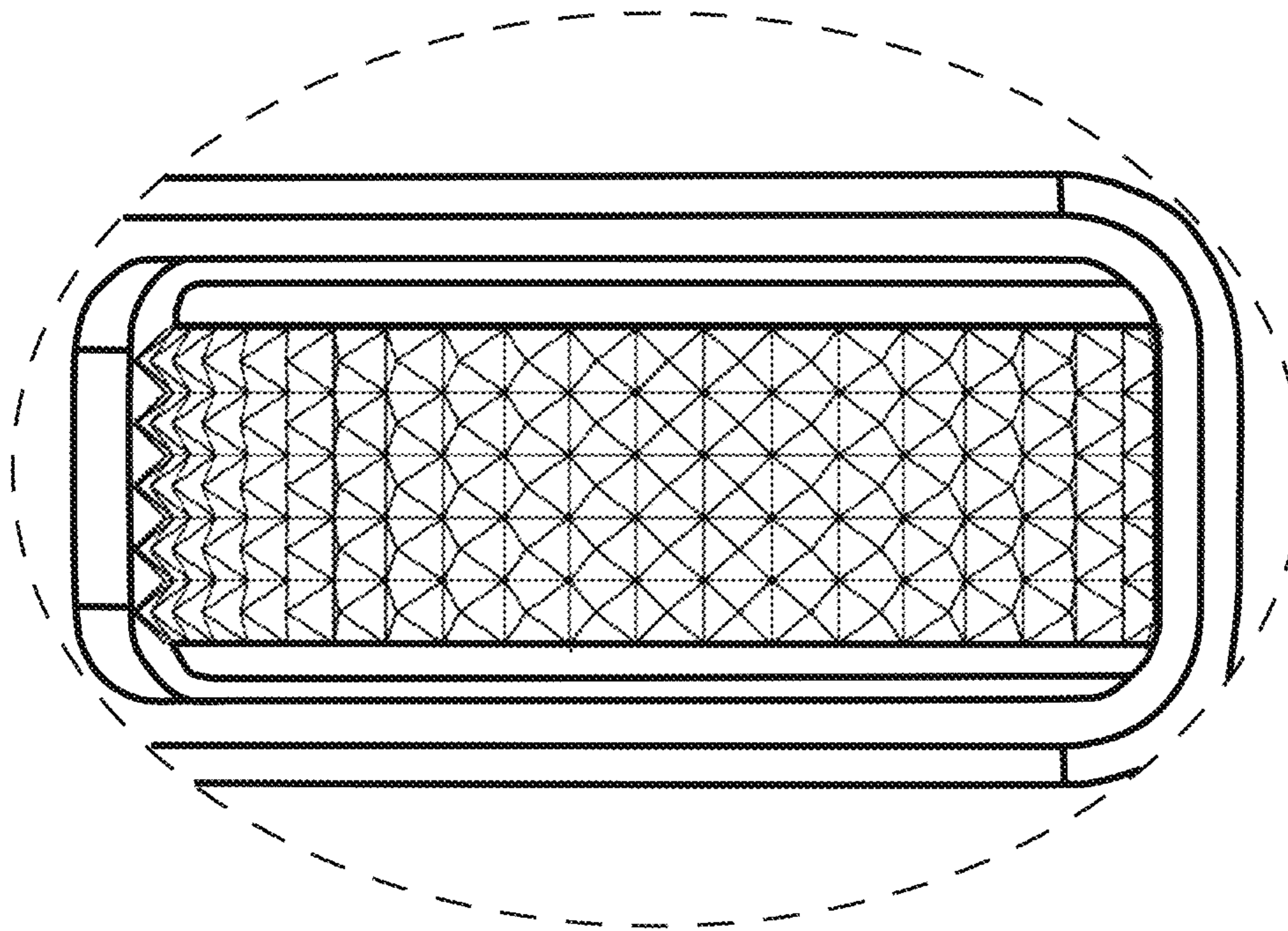


FIG. 9