



US00D951942S

(12) **United States Design Patent**
Tong

(10) **Patent No.:** **US D951,942 S**

(45) **Date of Patent:** **** May 17, 2022**

(54) **KEYBOARD**

(71) Applicant: **RAZER (ASIA-PACIFIC) PTE. LTD.**,
Singapore (SG)

(72) Inventor: **Ien Yu Tong**, Singapore (SG)

(73) Assignee: **RAZER (ASIA-PACIFIC) PTE. LTD.**,
Singapore (SG)

(**) Term: **15 Years**

(21) Appl. No.: **29/712,125**

(22) Filed: **Nov. 5, 2019**

Related U.S. Application Data

(62) Division of application No. 29/650,264, filed on Jun. 5, 2018, now Pat. No. Des. 881,190.

(51) **LOC (13) Cl.** **14-02**

(52) **U.S. Cl.**
USPC **D14/392**

(58) **Field of Classification Search**

USPC D14/247, 315-327, 331-333, 338,
D14/345-347, 387, 390-401, 406, 429,
D14/455-457, 460-461, 366, 447,
D14/459-461; D18/1-2, 4.1-4.6, 7, 11,
D18/12.2, 52; D21/324, 409; D13/102;
D19/23, 92, 103
CPC B41J 5/00; B41J 5/10; B41J 5/12; G06F
3/021; G06F 3/0216; G06F 3/0219; G06F
3/02

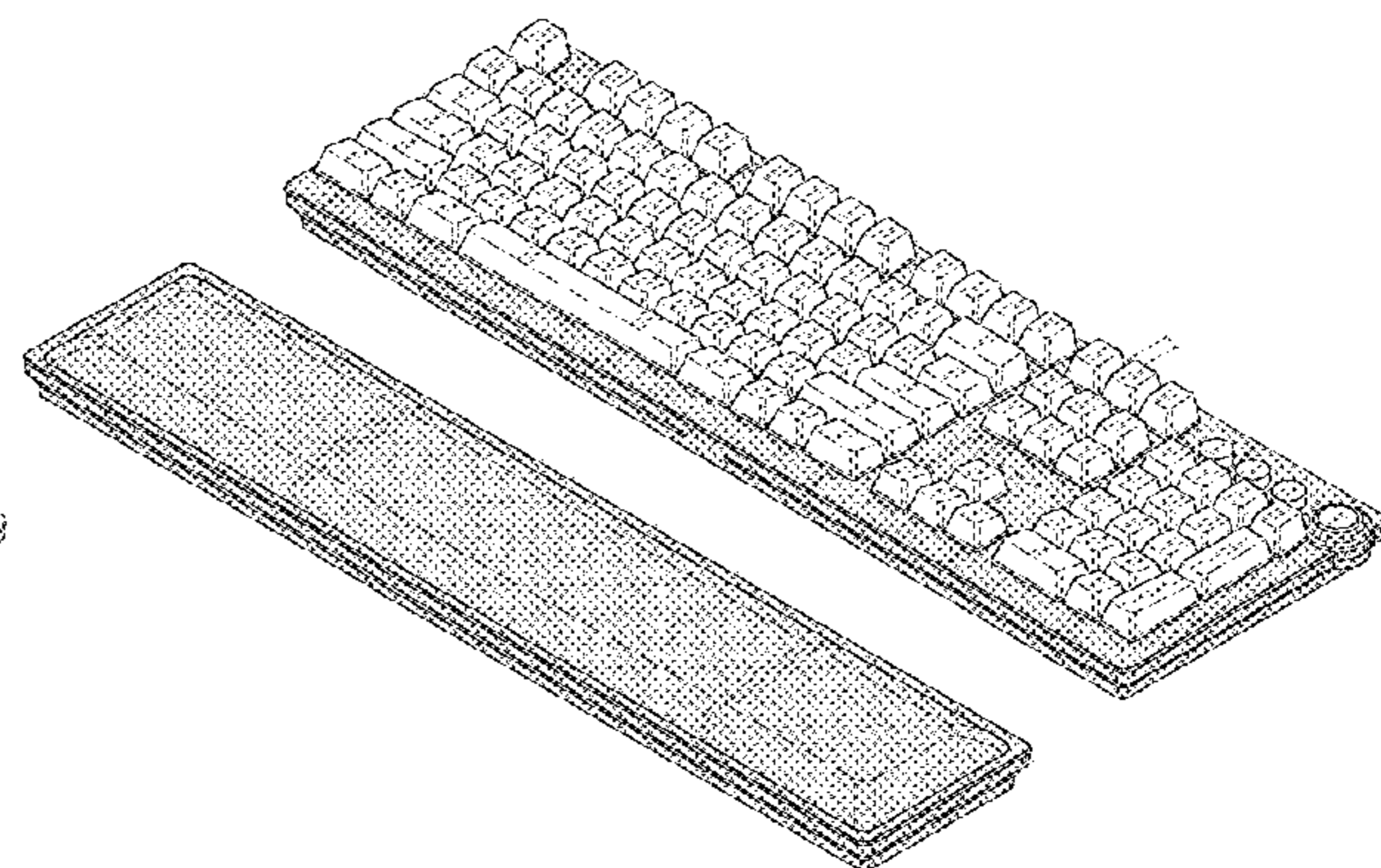
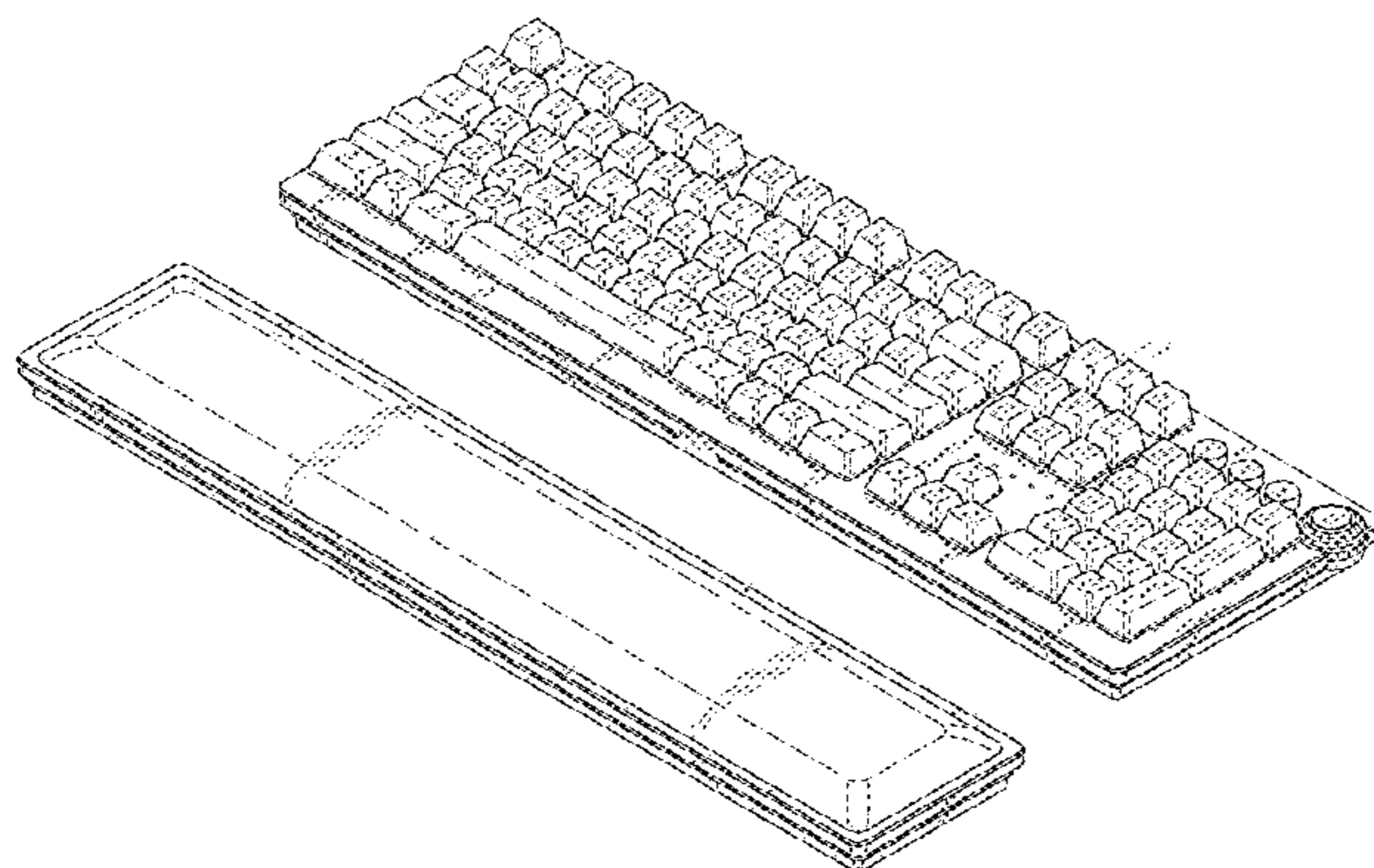
See application file for complete search history.

(56) **References Cited**

U.S. PATENT DOCUMENTS

D179,069 S 10/1956 Dreyfuss
D180,196 S 4/1957 Moore
D183,164 S 7/1958 Dreyfuss
D183,337 S 8/1958 Wrablica
D292,801 S 11/1987 Davis, Jr. et al.
D293,243 S 12/1987 Kakiuchi
D306,288 S 2/1990 Hsiao et al.
D313,402 S 1/1991 Esslinger

D340,916 S 11/1993 Iimura
D346,161 S 4/1994 Oh et al.
D350,948 S 9/1994 Smith
D352,933 S 11/1994 Vaule
D363,480 S 10/1995 Wu
D368,707 S 4/1996 Backs
D370,474 S 6/1996 Kirchhoff et al.
D383,740 S 9/1997 Kirchhoff et al.
D390,482 S 2/1998 Pasquarette
D400,181 S 10/1998 Floyd
D408,026 S 4/1999 Hung et al.
5,986,586 A 11/1999 Tsai
D426,834 S 6/2000 Der
D439,902 S * 4/2001 Oba D14/392
D445,792 S 7/2001 Ji
6,312,175 B1 11/2001 Lum
D475,048 S 5/2003 Wu et al.
D488,814 S 4/2004 Kang et al.
D516,558 S 3/2006 Neal et al.
D521,513 S 5/2006 Neal et al.
D523,146 S 6/2006 Ogiwara
D531,526 S 11/2006 Barton et al.
7,159,789 B2 1/2007 Schwendinger
7,171,498 B2 1/2007 Tu et al.
D556,758 S * 12/2007 Nguyen D14/391
D599,350 S 9/2009 O'Neil et al.
D599,351 S * 9/2009 Manalo D14/393
D606,073 S 12/2009 O'Neil et al.
D607,451 S 1/2010 Wang
D611,481 S * 3/2010 Manalo D14/455
D611,482 S 3/2010 Manalo
7,726,581 B2 6/2010 Naujok et al.
D633,910 S 3/2011 Cacioppo et al.
7,946,774 B2 5/2011 Matias
D659,765 S 5/2012 Taniguchi et al.
D670,697 S * 11/2012 Brown D14/391
D673,466 S 1/2013 Tsuchiya
D676,768 S 2/2013 Eyring et al.
D701,214 S * 3/2014 Gengler D14/447
D713,236 S 9/2014 Park
D724,589 S 3/2015 Ozolins et al.
D746,819 S 1/2016 Feiz et al.
D757,024 S * 5/2016 Bowers D14/455
D777,118 S 1/2017 Gaiduk et al.
D786,249 S 5/2017 Feiz et al.
D802,598 S * 11/2017 Turpanjian D14/455
D807,884 S * 1/2018 Blanchette D14/389
D810,082 S * 2/2018 Tzeng D14/391
D811,396 S * 2/2018 Tzeng D14/391
D812,056 S * 3/2018 Guermeur D14/392
D820,260 S * 6/2018 Ang D14/391
D820,261 S 6/2018 Brummer et al.
D827,645 S 9/2018 Raken et al.



| | | | |
|-------------------|---------|-----------------|--------------|
| D829,210 S | 9/2018 | Buhler | |
| D829,716 S * | 10/2018 | Barnard | D14/391 |
| D830,360 S | 10/2018 | Jin et al. | |
| D838,721 S * | 1/2019 | Pang | D14/391 |
| D838,722 S * | 1/2019 | Pang | D14/391 |
| D868,010 S | 11/2019 | Bard et al. | |
| D871,364 S | 12/2019 | Lundgard | |
| D875,092 S | 2/2020 | Akana et al. | |
| D879,097 S * | 3/2020 | Chan | D14/392 |
| D881,190 S * | 4/2020 | Tong | D14/392 |
| D882,571 S * | 4/2020 | Tong | D14/392 |
| D890,754 S | 7/2020 | Raken et al. | |
| D890,755 S * | 7/2020 | Tong | D14/392 |
| D892,750 S | 8/2020 | Dimberg et al. | |
| D893,437 S | 8/2020 | Dimberg et al. | |
| D899,426 S | 10/2020 | Akana et al. | |
| 10,809,812 B2 | 10/2020 | Jiang et al. | |
| D910,625 S * | 2/2021 | Chan | D14/391 |
| D910,629 S * | 2/2021 | Chan | D14/392 |
| D912,672 S * | 3/2021 | Lai | D14/392 |
| D928,785 S * | 8/2021 | Tong | D14/392 |
| D934,248 S * | 10/2021 | Tong | D14/392 |
| 2003/0197627 A1 | 10/2003 | Botich | |
| 2007/0285393 A1 | 12/2007 | Ishakov | |
| 2010/0097245 A1 | 4/2010 | Wang et al. | |
| 2011/0115651 A1 | 5/2011 | Zhou | |
| 2011/0274475 A1 | 11/2011 | Hung | |
| 2011/0285551 A1 | 11/2011 | Xu et al. | |
| 2013/0118878 A1 | 5/2013 | Purcocks | |
| 2013/0249715 A1 | 9/2013 | Shih et al. | |
| 2014/0300551 A1 | 10/2014 | Purcocks | |
| 2017/0315621 A1 | 11/2017 | Yao | |
| 2017/0315623 A1 | 11/2017 | Yao | |
| 2019/0129514 A1 | 5/2019 | Lu | |
| 2019/0235638 A1 | 8/2019 | Lee et al. | |
| 2019/0252137 A1 | 8/2019 | McDonald et al. | |
| 2021/0349549 A1 * | 11/2021 | Liu | G10L 21/0208 |

FOREIGN PATENT DOCUMENTS

| | | |
|----|----------------|-----------|
| CN | 305391535 | * 10/2019 |
| CN | 305391537 | * 10/2019 |
| CN | 305928349 | 7/2020 |
| CN | 306469440 | * 4/2021 |
| EM | 005817244-0003 | 1/2019 |
| EM | 005817244-0005 | 1/2019 |
| EM | 005817244-0006 | 1/2019 |
| EM | 005817244-0007 | 1/2019 |
| EM | 005817277-0001 | 1/2019 |
| EM | 005817277-0003 | 1/2019 |
| JP | D1063799 | 3/2000 |
| KR | 300903239.0000 | 4/2017 |

OTHER PUBLICATIONS

Black Widow V3 Pro & Ergonomic Wrist Rest Pro, Razer, azer.com, author and date unlisted © 2021 Razer Inc., online, site visited Jun. 25, 2021. Available at URL: <https://www.razer.com/gaming/keyboards/accessories/razer-ergonomic-wrist-rest-pro> (Year: 2021).*

Magnetic Wrist Rest Keyboard K9520, Meetion, meetion.com, author unlisted, published Dec. 31, 2020 per wayback machin © 2013-2020 Meetion.com, online, site visited Jun. 25, 2021. Available at URL: <https://www.meetion.com/mt-k9520.html> (Year: 2020).*

Retro Steampunk Gaming Keyboard, CC Mall, amazon.com, published by CC Mall on Jan. 6, 2019 Amazon.com, Inc., online, site visited Mar. 10, 2021. Available from Internet, URL: <https://www.amazon.com/Steampunk-Mechanical-Customizable-Typewriter-Style-Anti-ghosting/dp/B07MVT55F3> (Year: 2019).

L2058 LED Backlit Mechanical Gaming Keyboard, AULA, amazon.com, published by AULA on Mar. 25, 2020 © 1996-2020 Amazon.com, Inc., online, site visited Sep. 30, 2020. Available at URL: https://www.amazon.com/AULA-Mechanical-Keyboard-Steam-punk-Switches/dp/B085ZD0G58/ref=asc_df_B085ZDCG58/?tag=hyprod . . . (Year: 2020).

EasyTouch 650EB Mechanical Gaming Keyboard, Adesso, amazon.com, published by Adesso on Oct. 24, 2019 © 1996-2020 Amazon.

com, Inc., online, site visited Sep. 30, 2020. Available at URL: <https://www.amazon.com/Adesso-EasyTouch-Programmable-Mechanical-Detachable/dp/B07ZJPN6F1> (Year: 2019).

Non-Final Office Action in U.S. Appl. No. 29/738,306 dated Oct. 26, 2020 in 10 pages.

Mechanical Keyboard, AU LA, amazon.com, published by AU LA on Oct. 30, 2018 © 1996-2019, Amazon.com, Inc, online, site visited Nov. 15, 2019. Available at URL: <https://www.amazon.com/AULA-Key-board-Mec-nanical-Ergonomic-Desktop/dp/B07KIVSTSP> (Year: 2018).

* cited by examiner

Primary Examiner — Sandra Snapp
 Assistant Examiner — Altaira J Swangin
 (74) Attorney, Agent, or Firm — Polsinelli PC

(57) CLAIM

I claim the ornamental design for a keyboard, as shown and described.

DESCRIPTION

FIG. 1 is an exploded, perspective view of a first embodiment of a keyboard, showing my new design, with the detachable wrist rest separated from the keyboard;
 FIG. 2 is an exploded, top plan view thereof;
 FIG. 3 is an exploded, bottom plan view thereof;
 FIG. 4 is an exploded, rear elevational view thereof;
 FIG. 5 is an exploded, front elevational view thereof;
 FIG. 6 is an exploded, right side elevational view thereof;
 and
 FIG. 7 is an exploded, left side elevational view thereof.
 FIG. 8 is an assembled, perspective view of the keyboard of FIGS. 1-7, showing my new design, with the detachable wrist rest attached to the keyboard;
 FIG. 9 is an assembled, top plan view thereof;
 FIG. 10 is an assembled, bottom plan view thereof;
 FIG. 11 is an assembled, rear elevational view thereof;
 FIG. 12 is an assembled, front elevational view thereof;
 FIG. 13 is an assembled, right side elevational view thereof;
 FIG. 14 is an assembled, left side elevational view thereof;
 FIG. 15 is an exploded, perspective view of a second embodiment of a keyboard, showing my new design, with the detachable wrist rest separated from the keyboard;
 FIG. 16 is an exploded top plan view thereof;
 FIG. 17 is an exploded, bottom plan view thereof;
 FIG. 18 is an exploded, rear elevational view thereof;
 FIG. 19 is an exploded, front elevational view thereof;
 FIG. 20 is an exploded, right side elevational view thereof;
 and
 FIG. 21 is an exploded, left side elevational view thereof.
 FIG. 22 is an assembled, perspective view of the keyboard of FIGS. 15-21, showing my new design, with the detachable wrist rest attached to the keyboard;
 FIG. 23 is an assembled, top plan view thereof;
 FIG. 24 is an assembled, bottom plan view thereof;
 FIG. 25 is an assembled, rear elevational view thereof;
 FIG. 26 is an assembled, front elevational view thereof;
 FIG. 27 is an assembled, right side elevational view thereof;
 and,
 FIG. 28 is an assembled, left side elevational view thereof.
 The even-dash broken lines illustrate portions of the keyboard which form no part of the claimed design.

The dash-dot broken lines on the bottom of the keyboard in FIGS. 3, 10, 17 and 24 represent the boundaries of the claimed design and form no part of thereof.

Stippling in FIGS. 15-26 represents a contrast in color and/or material.

1 Claim, 20 Drawing Sheets

REPLACEMENT SHEET

1/20

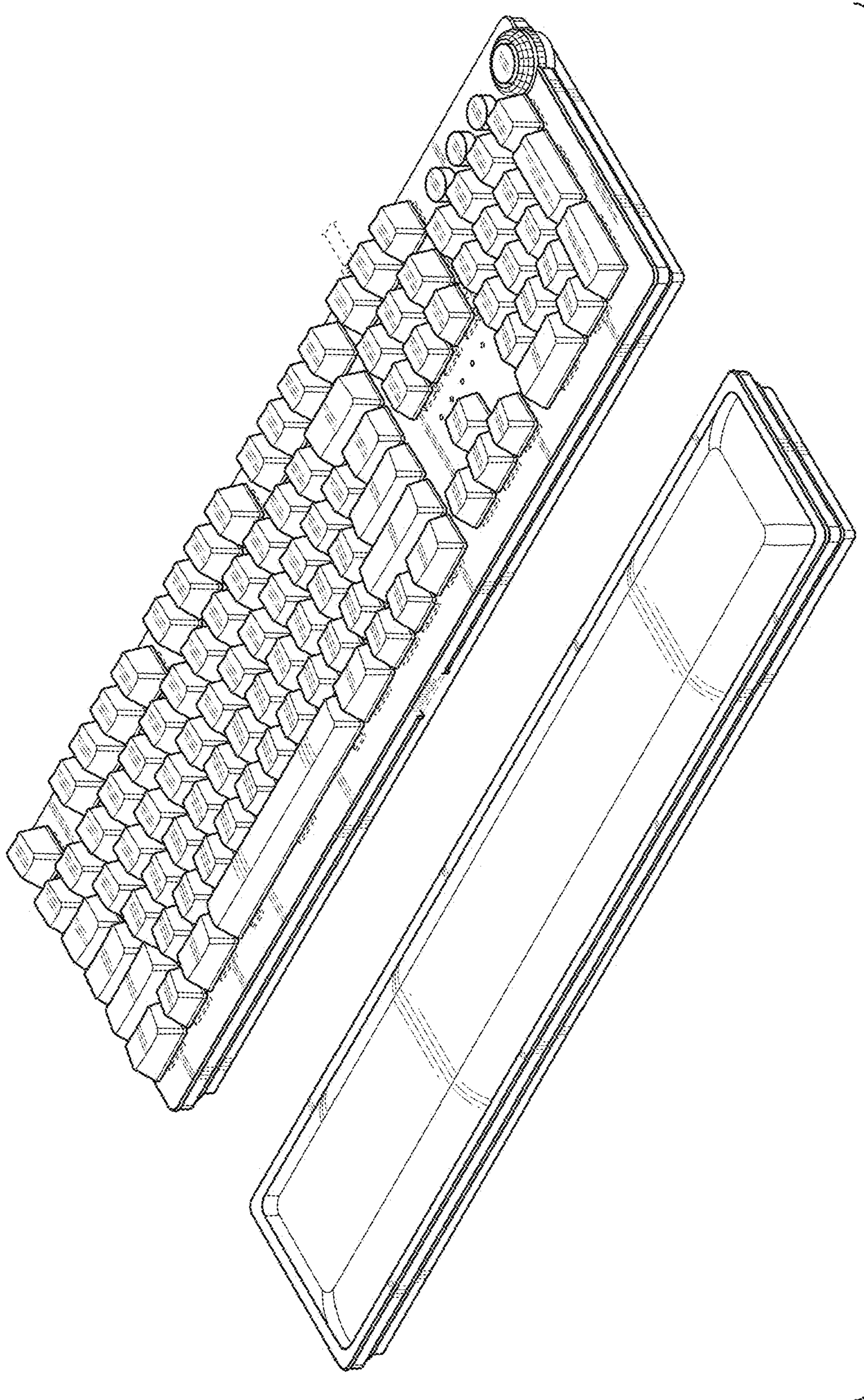


FIG. 1

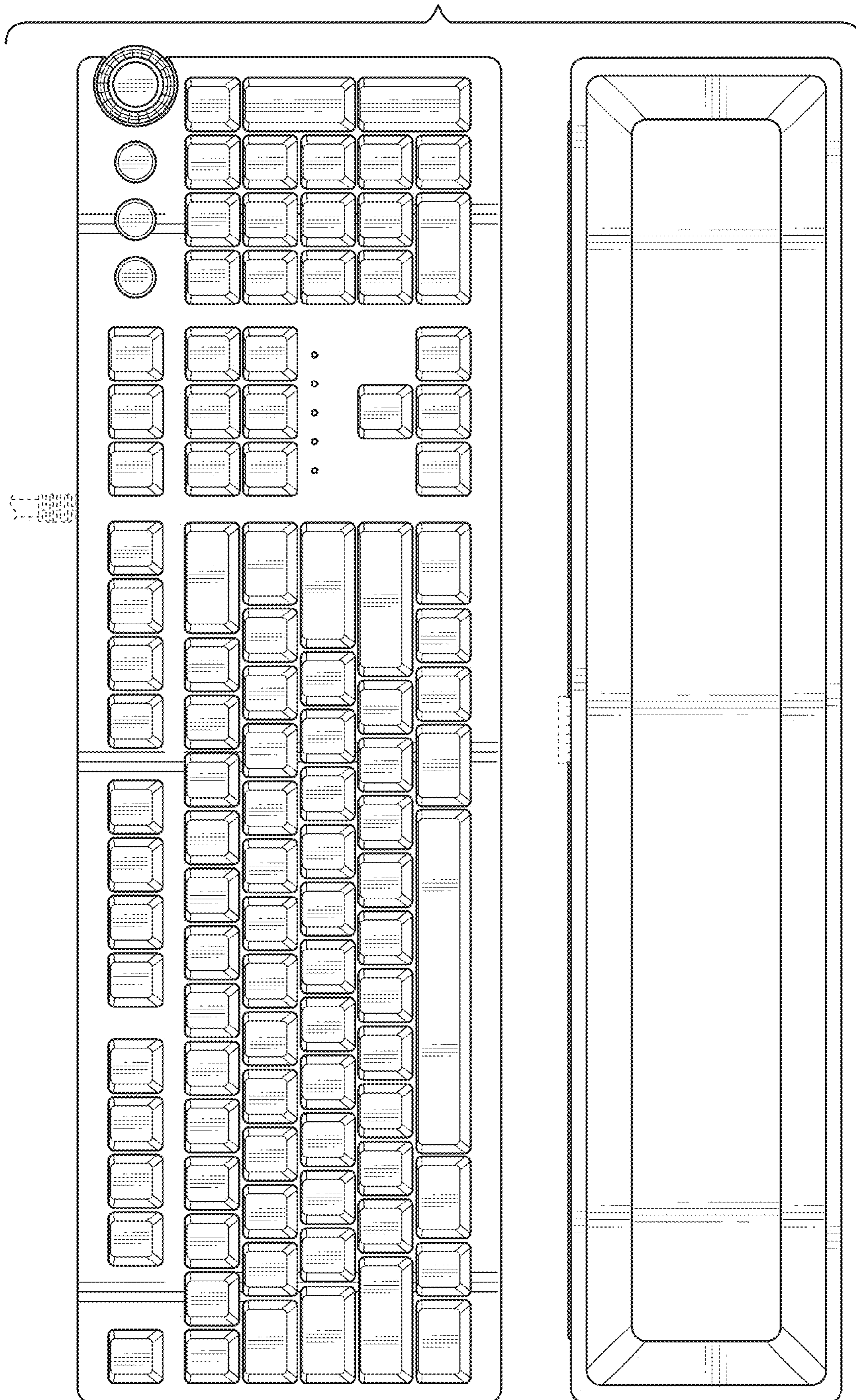


FIG. 2

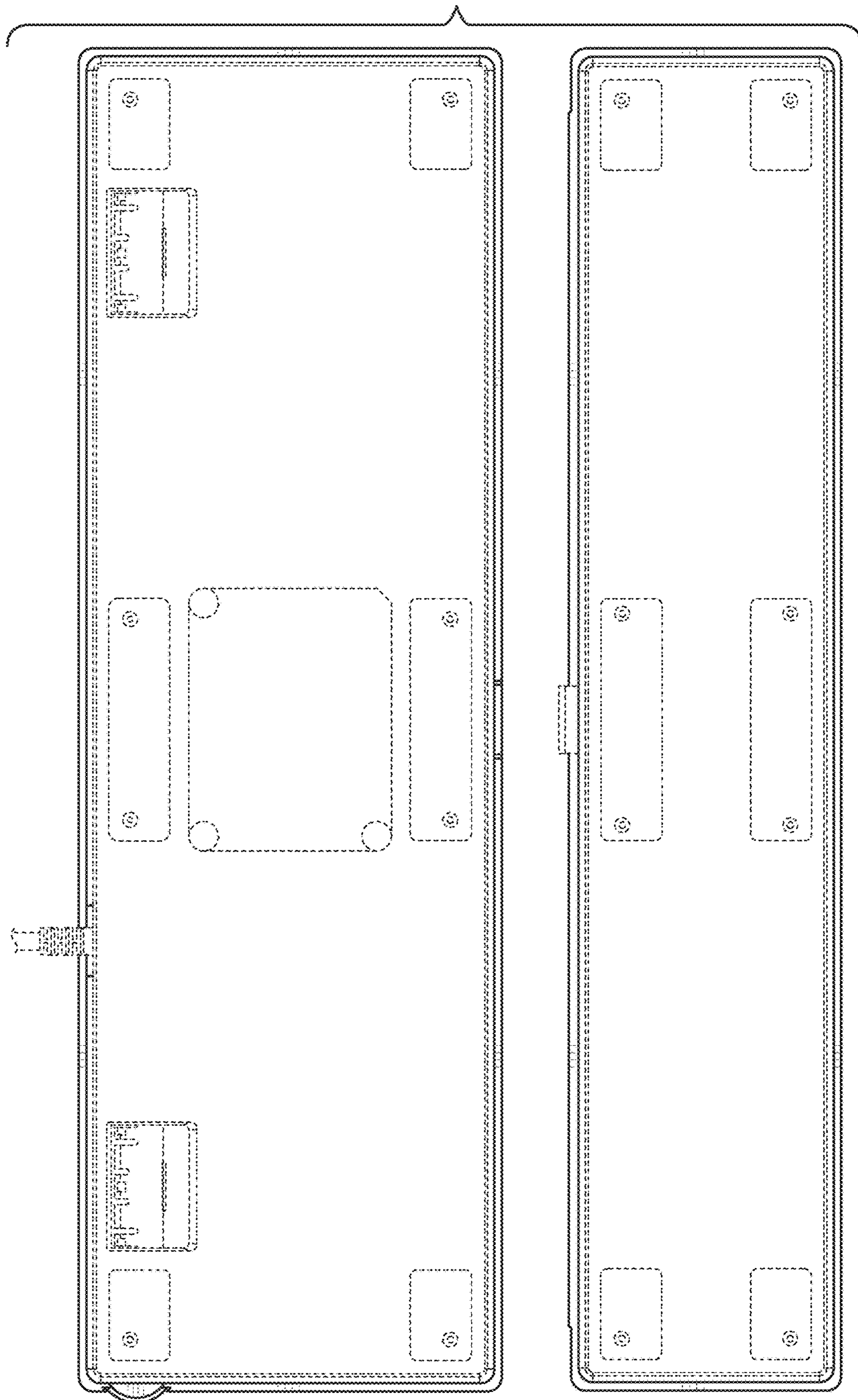


FIG. 3

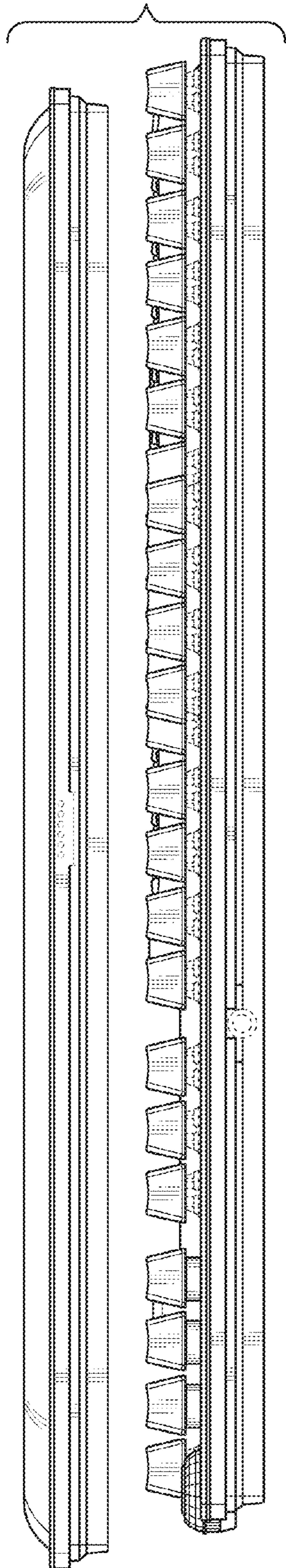


FIG. 4

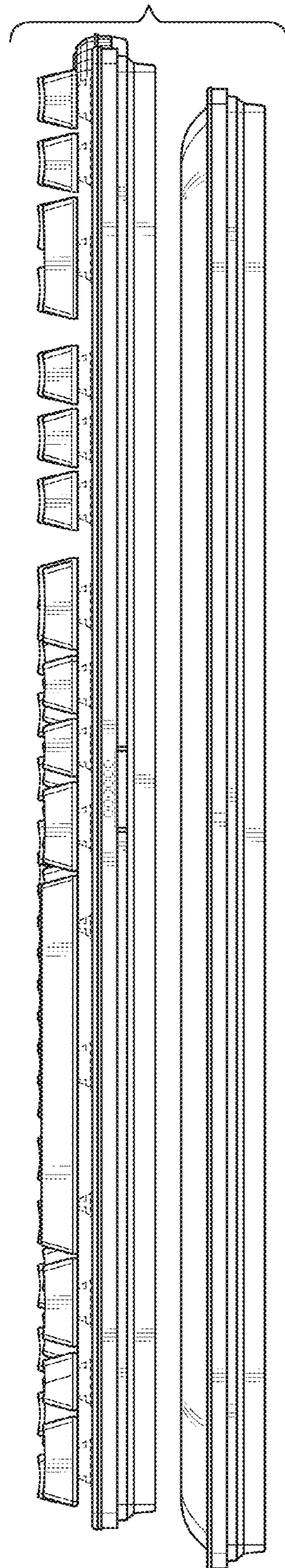


FIG. 5

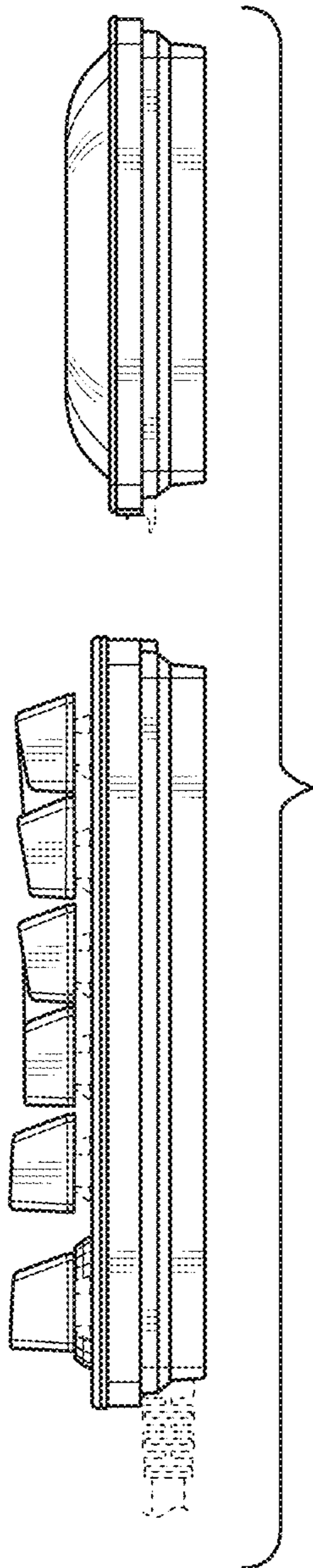


FIG. 6

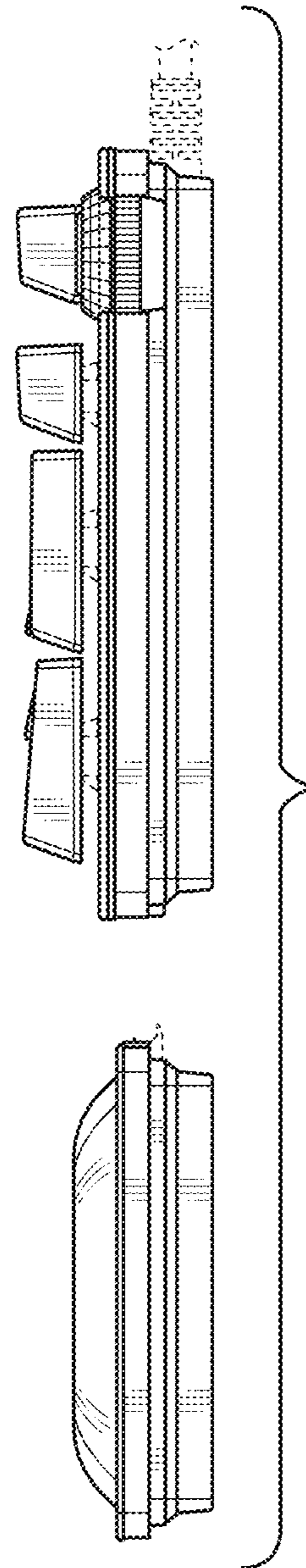


FIG. 7

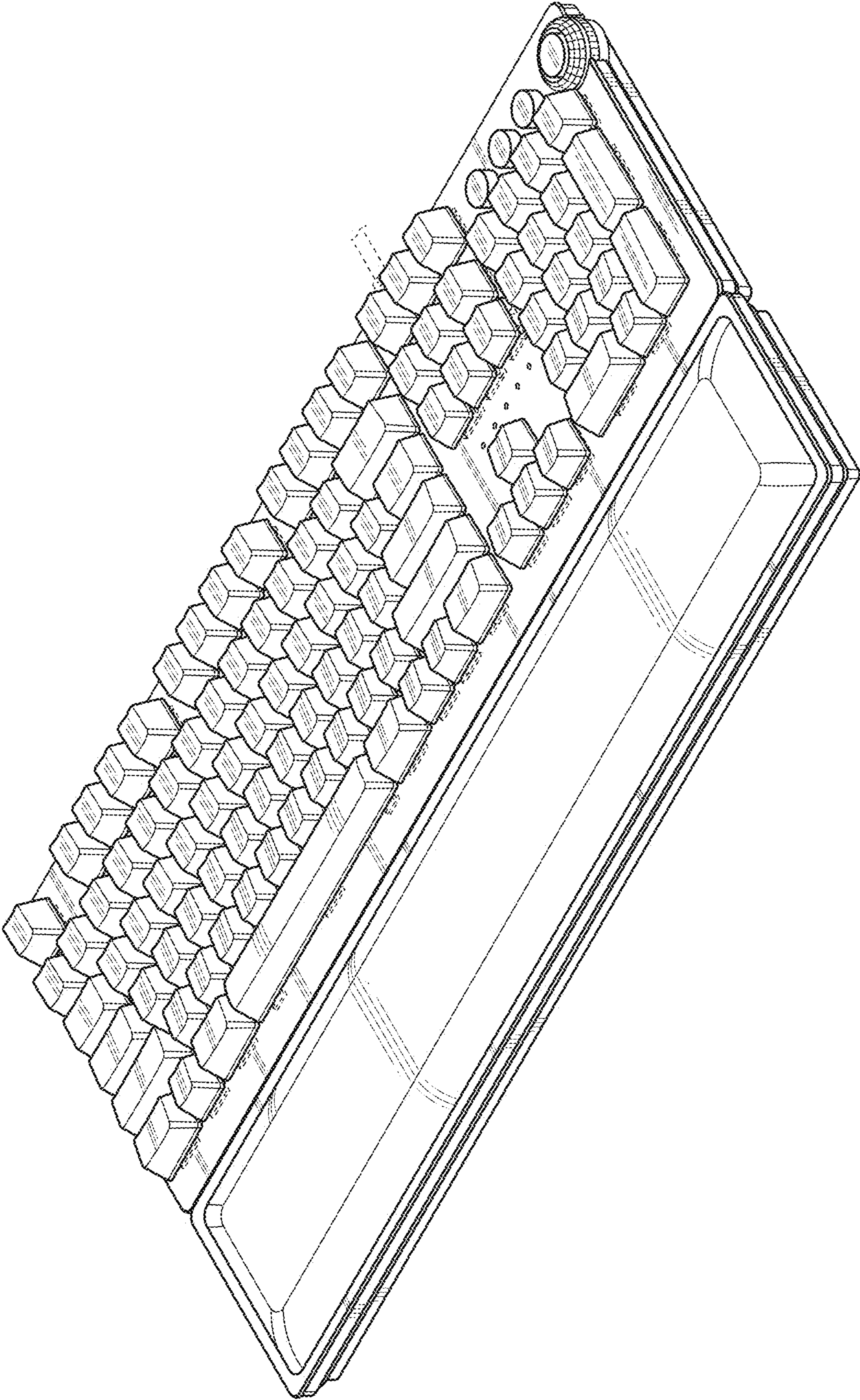


FIG. 8

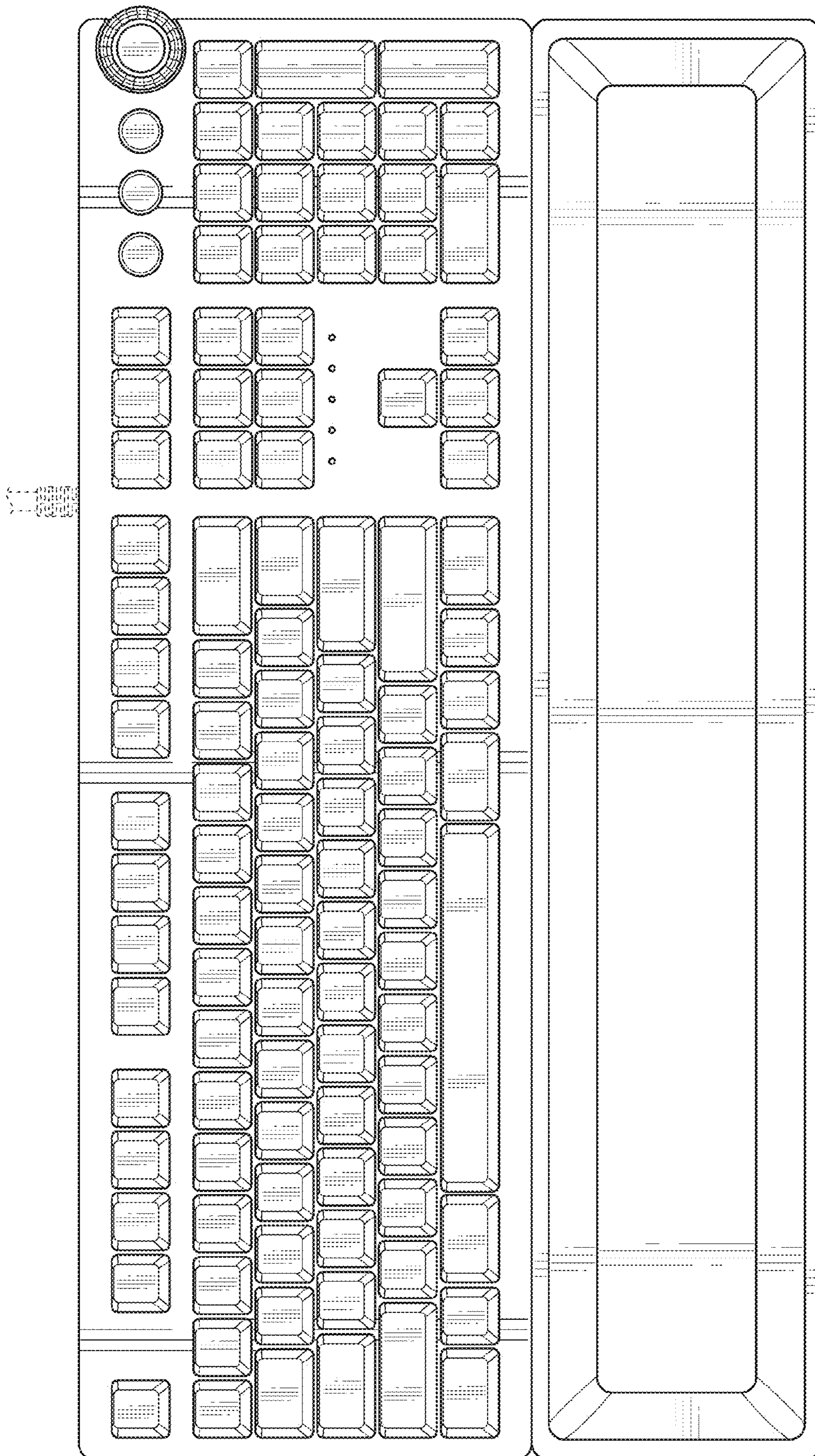


FIG. 9

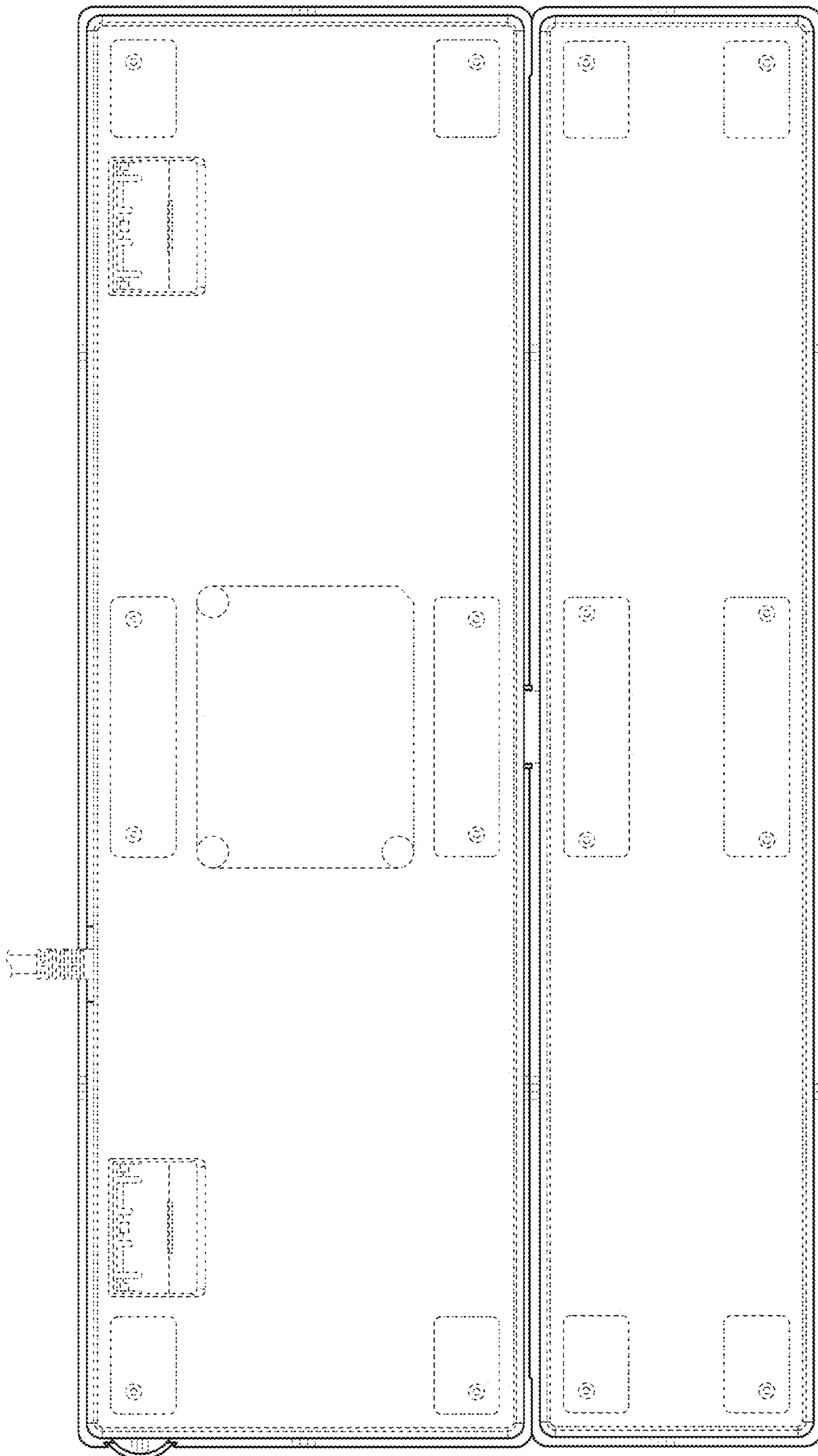


FIG. 10

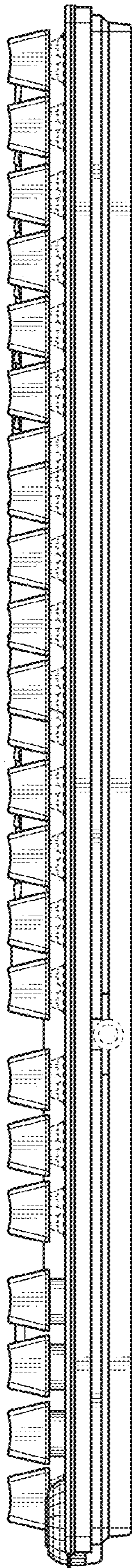


FIG. 11

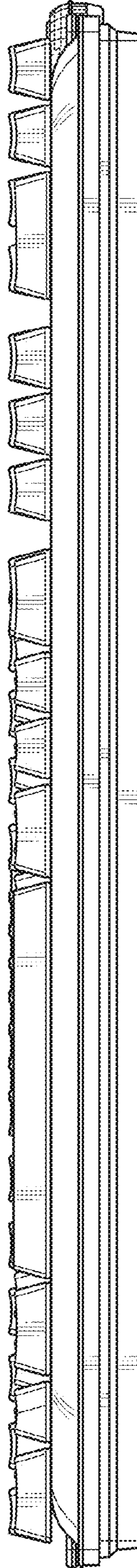


FIG. 12

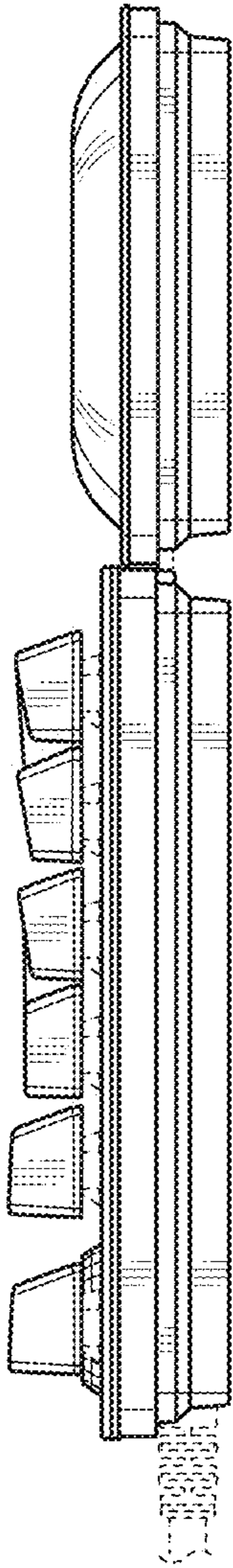


FIG. 13

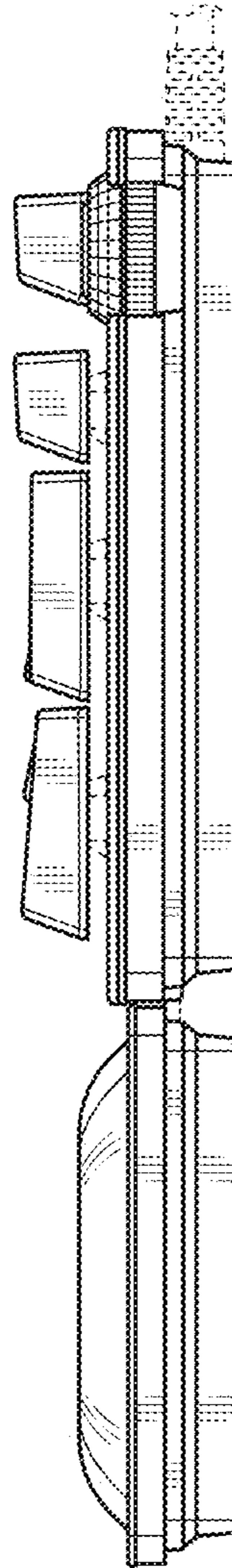


FIG. 14

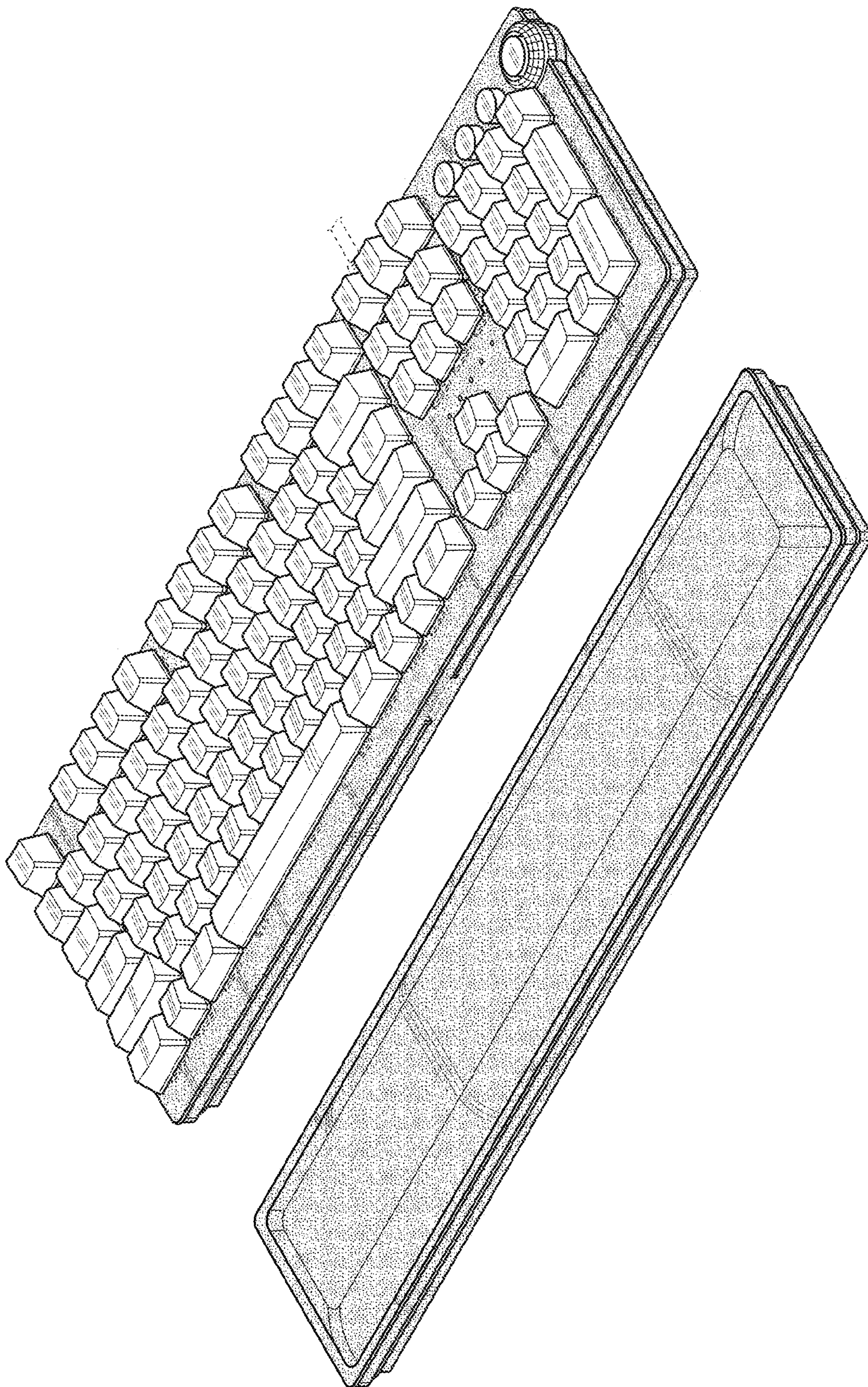


FIG. 15

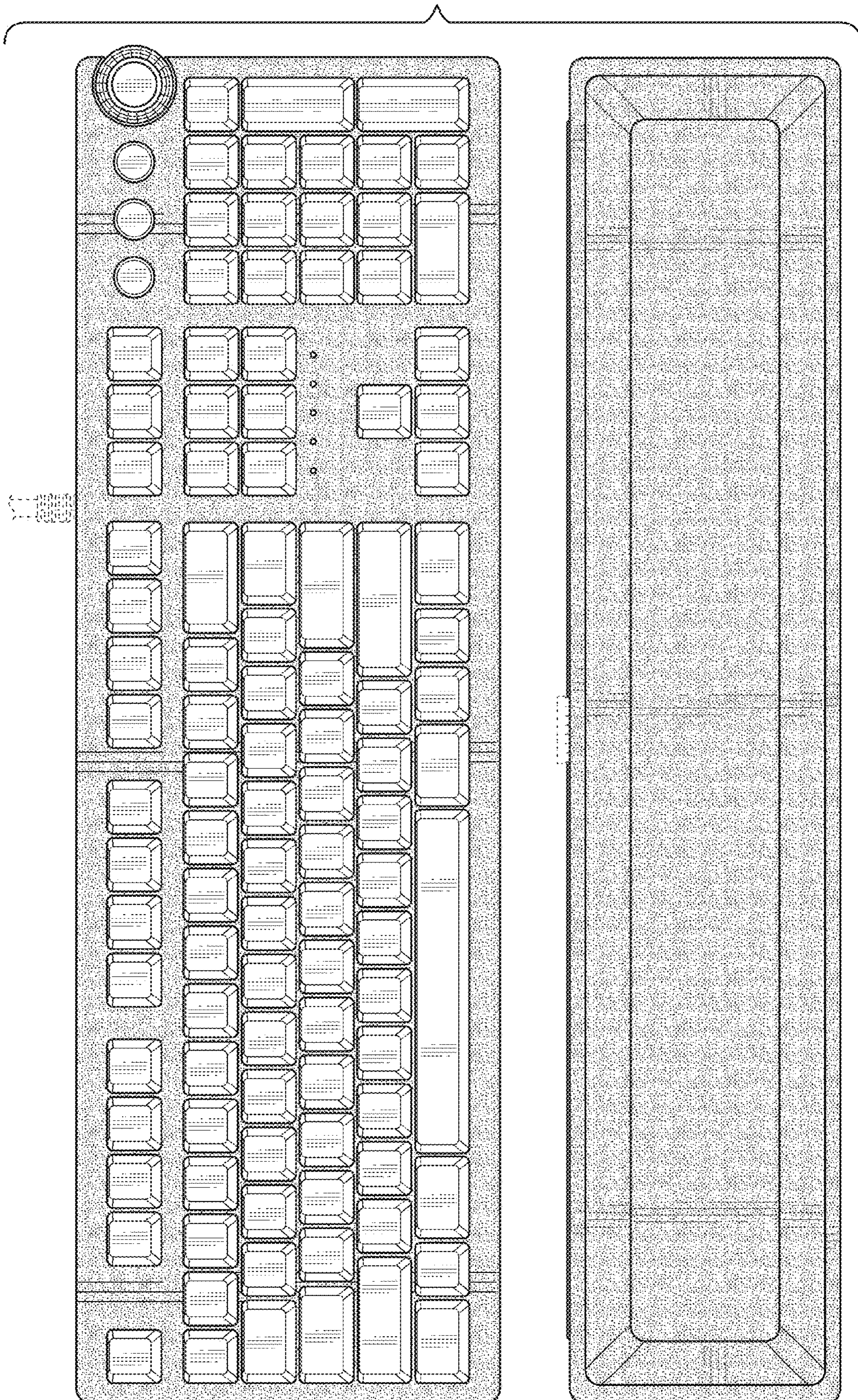


FIG. 16

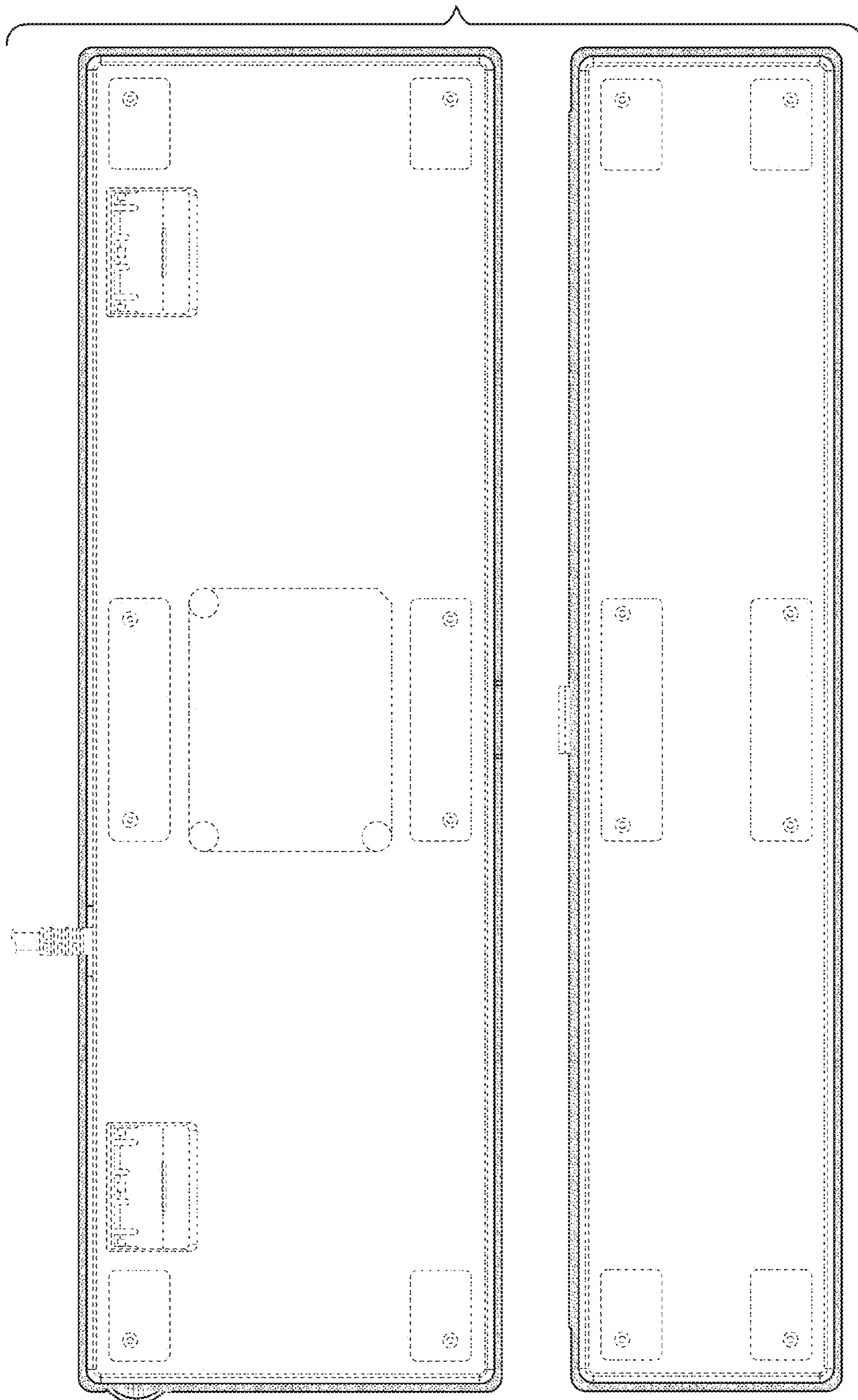


FIG. 17

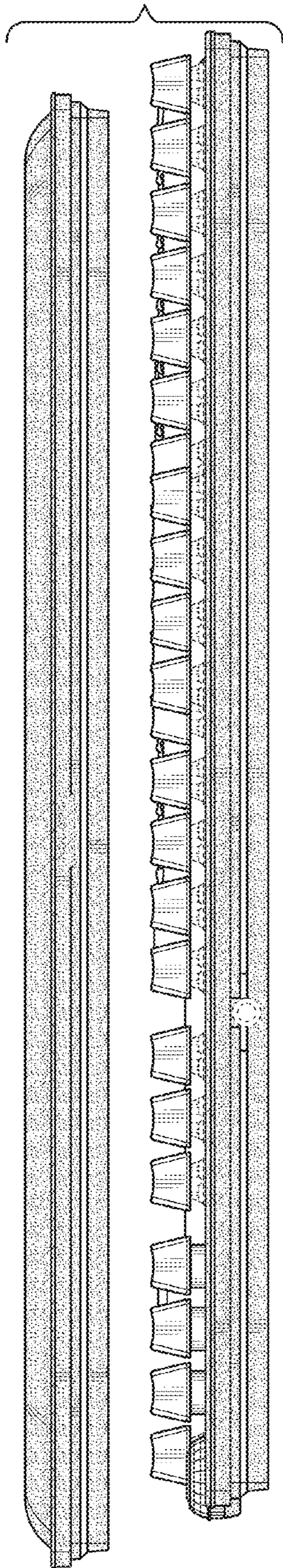


FIG. 18

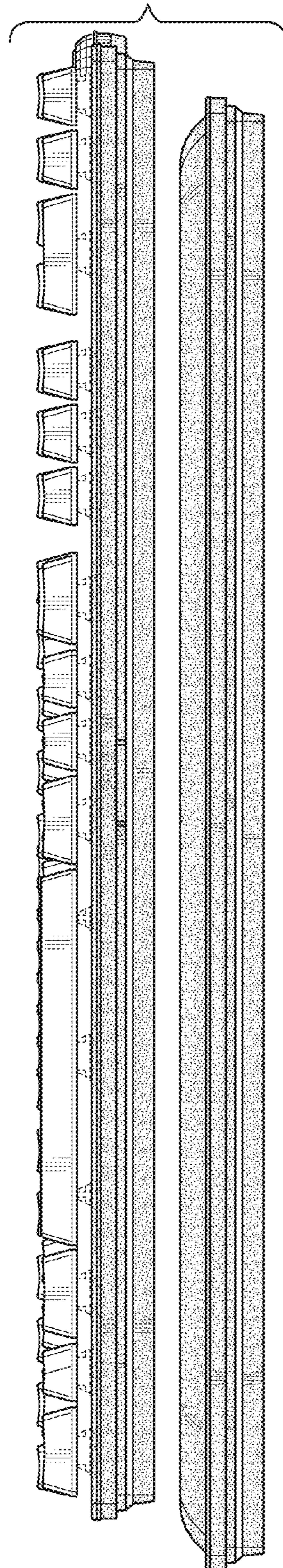


FIG. 19

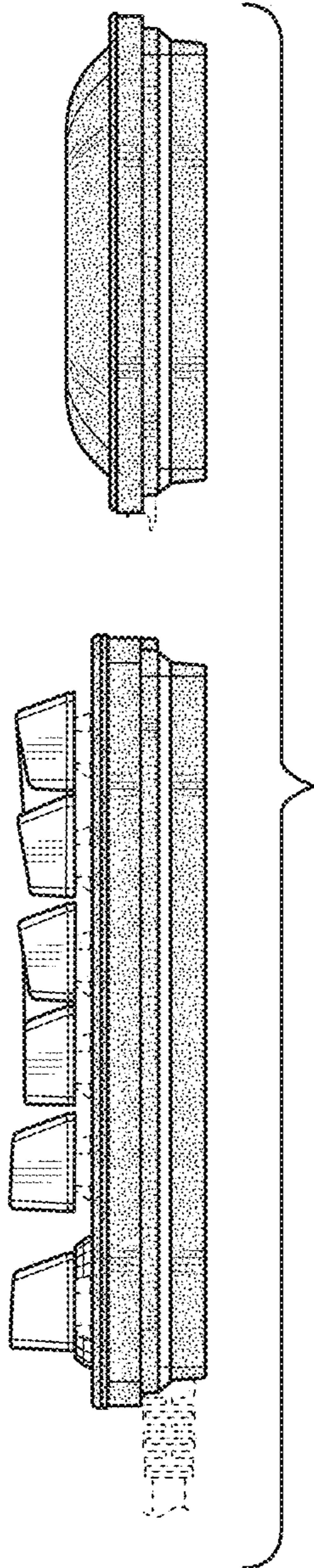


FIG. 20

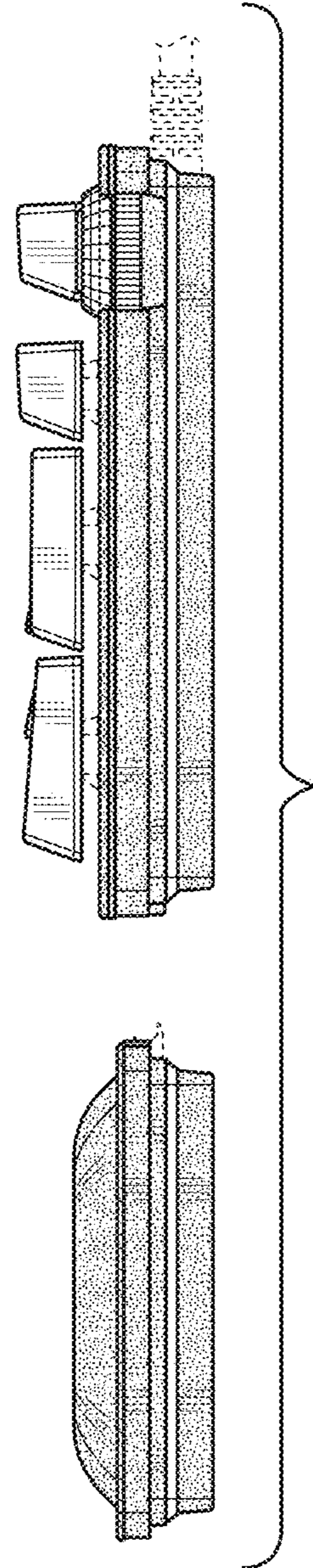


FIG. 21

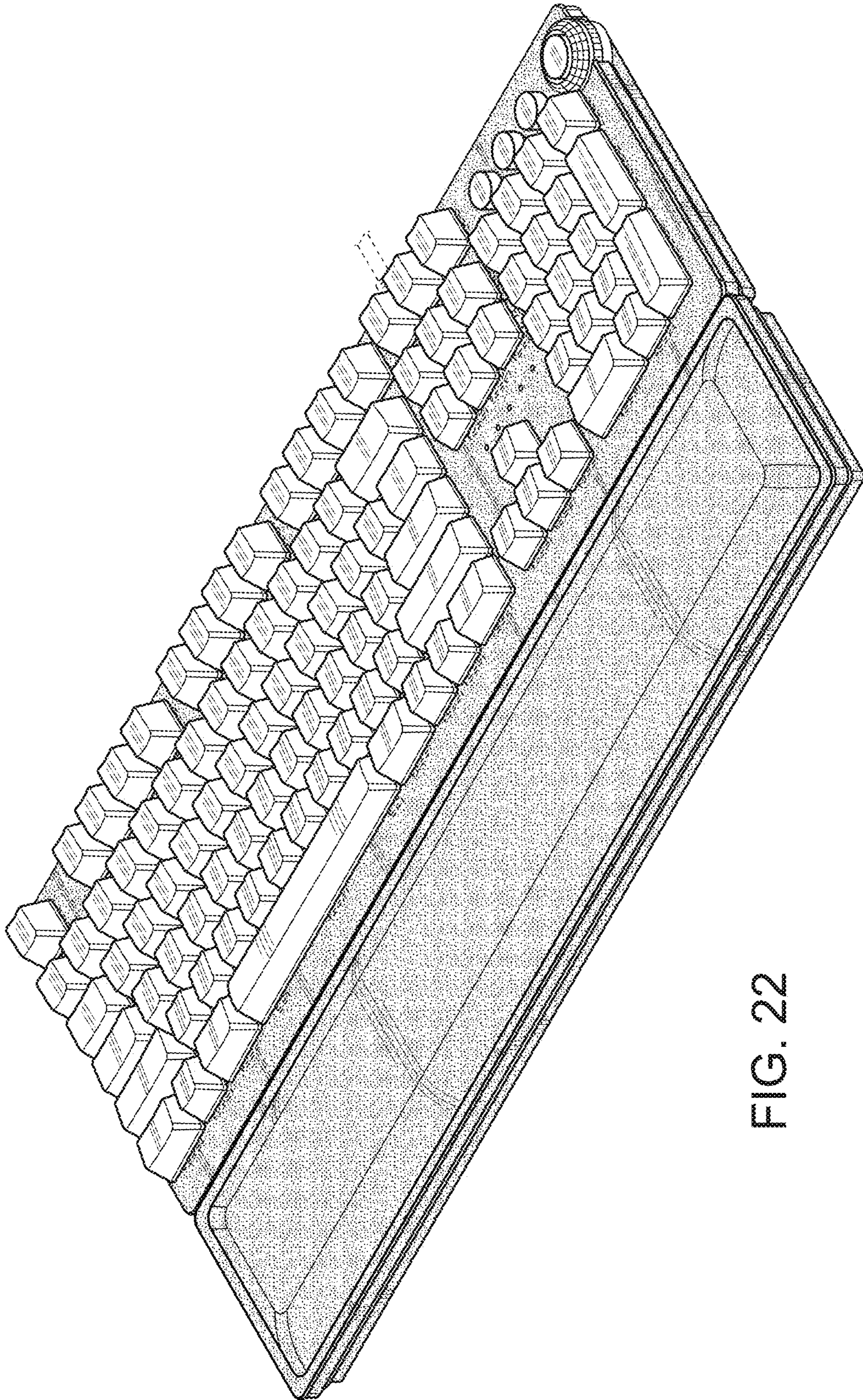


FIG. 22

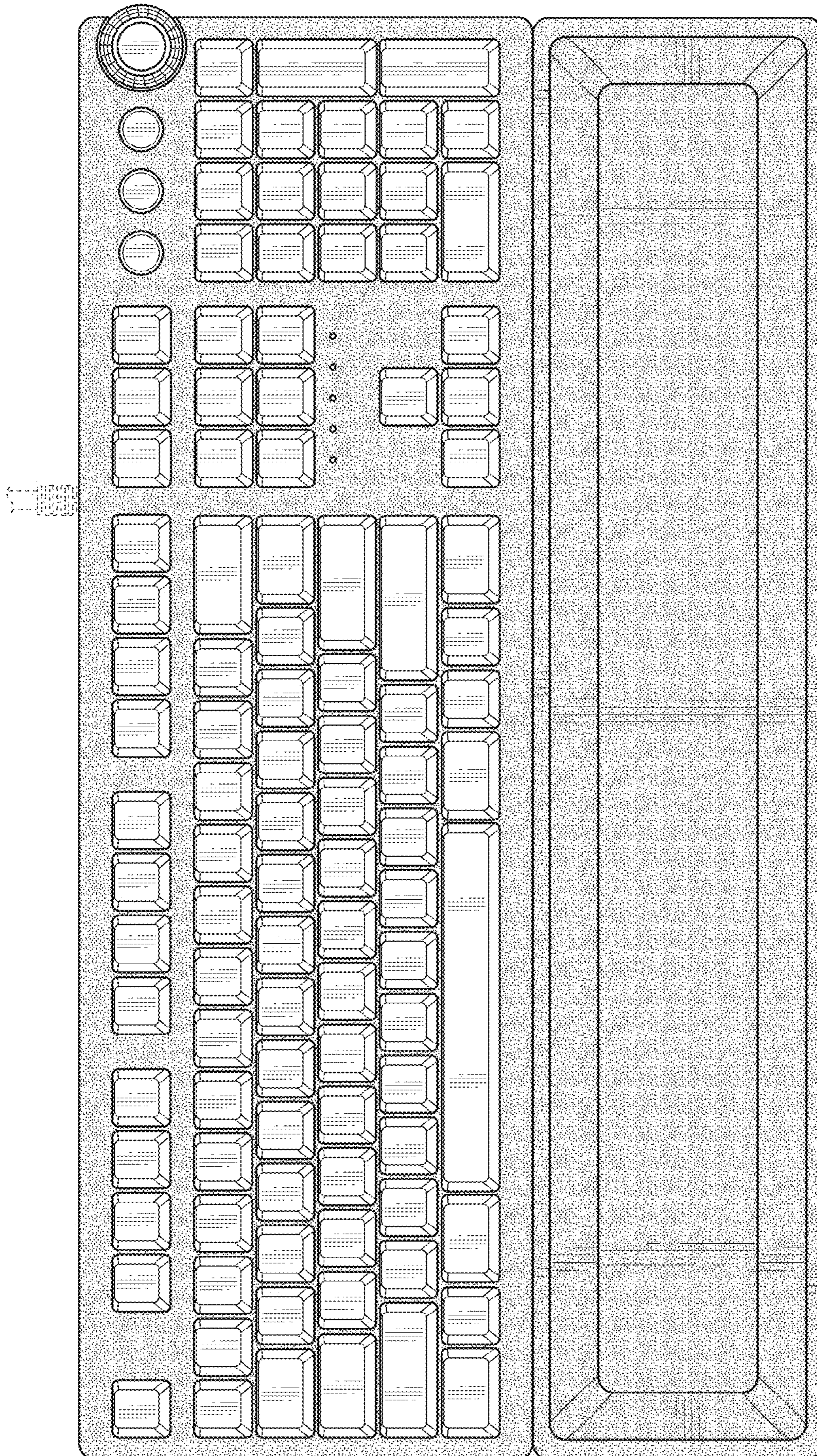


FIG. 23

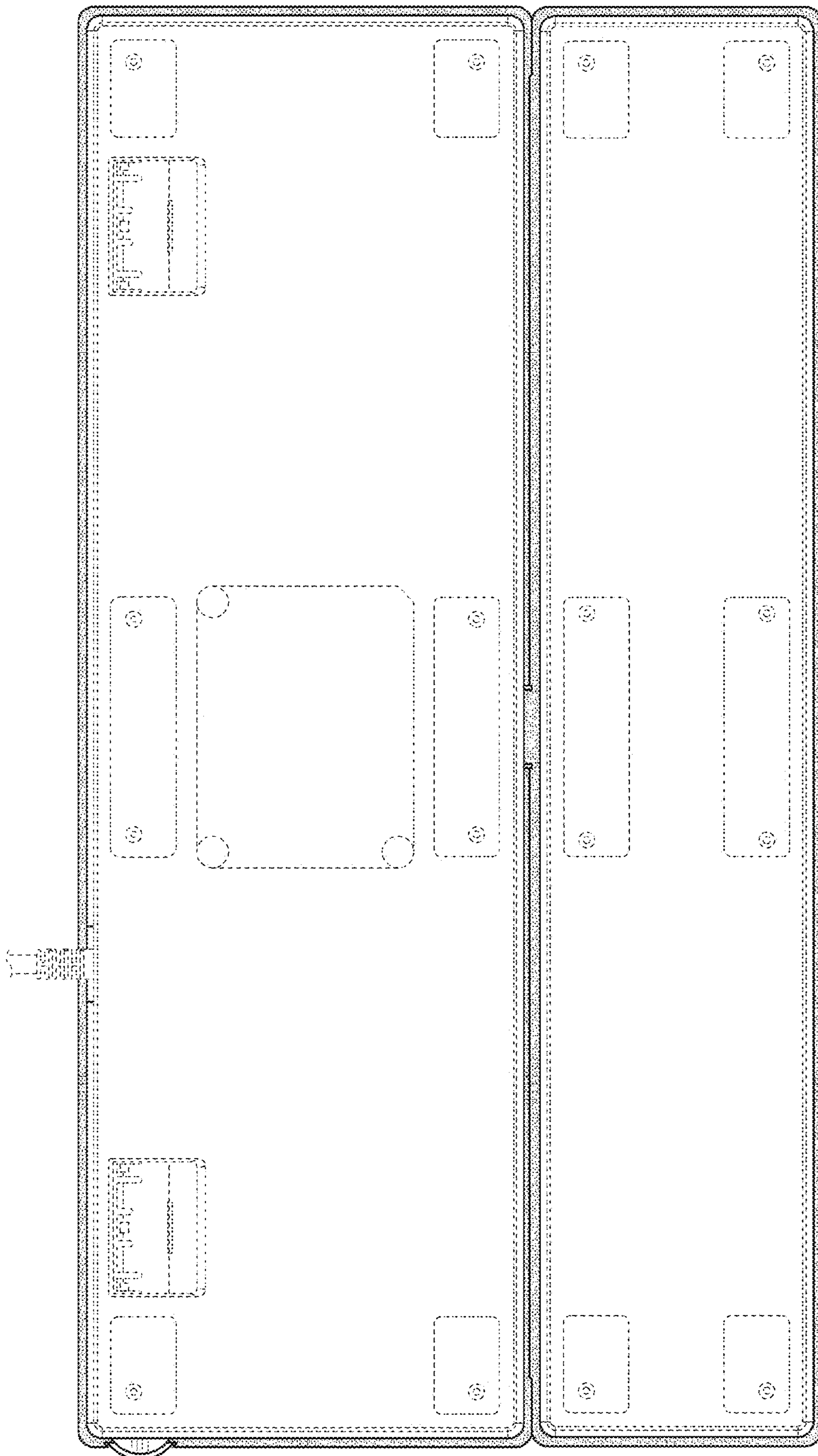


FIG. 24

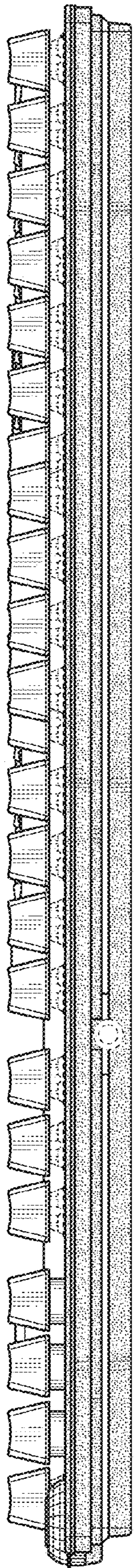


FIG. 25

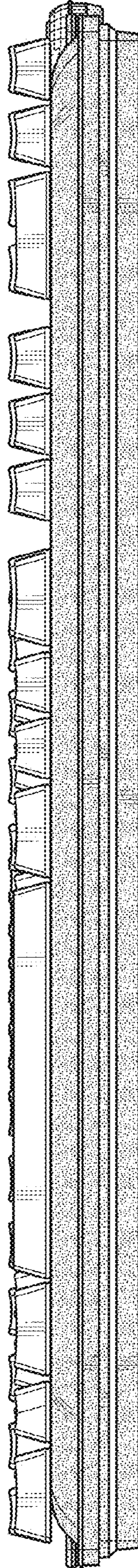


FIG. 26

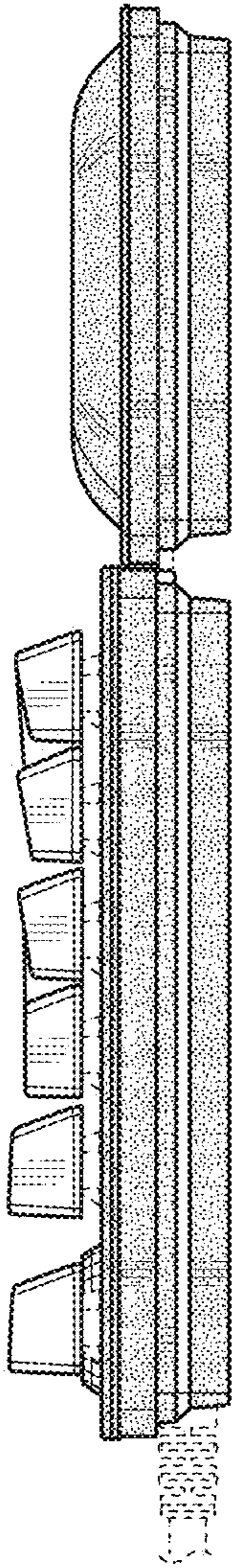


FIG. 27

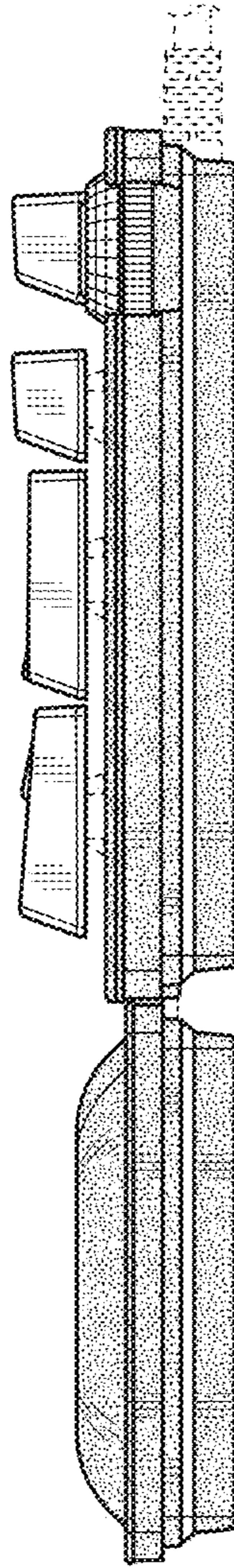


FIG. 28