



US00D951941S

(12) **United States Design Patent**
Fisher et al.

(10) **Patent No.:** **US D951,941 S**

(45) **Date of Patent:** **** May 17, 2022**

(54) **CARD MODULE**

(71) Applicant: **Baker Hughes Oilfield Operations LLC**, Houston, TX (US)

(72) Inventors: **Steven William Fisher**, Edmonds, TX (US); **Kevin Doan**, Seattle, WA (US); **Malgorzata Anna Blachnicka**, Seattle, WA (US); **Bryan Shadel**, Gardnerville, NV (US)

(73) Assignee: **Baker Hughes Oilfield Operations LLC**, Houston, TX (US)

(**) Term: **15 Years**

(21) Appl. No.: **29/705,064**

(22) Filed: **Sep. 9, 2019**

(51) **LOC (13) Cl.** **14-02**

(52) **U.S. Cl.**
USPC **D14/385**

(58) **Field of Classification Search**
USPC D18/4.4, 4.5, 4.6, 12, 12.1, 12.3;
D14/383, 384, 385, 386, 378, 420, 427,
D14/432-439, 447, 453; D13/107, 108,
D13/133, 146, 147, 152, 154, 156;
235/441, 451, 492, 380, 439, 375
CPC G06K 19/07749; G06K 19/0723; G06K
19/041; G06K 19/07758; G06K 19/0775;
G06K 19/07783; G06K 19/07794; G06K
19/06046; G06K 19/07722; G06K
19/07773; G06K 19/07779; G06K
19/07784; G06K 19/07786; G06K
19/0709

See application file for complete search history.

(56) **References Cited**

U.S. PATENT DOCUMENTS

6,301,123 B1 * 10/2001 Nealis H05K 7/1415
361/740
6,719,570 B2 * 4/2004 Tsuchioka G06K 19/077
235/492

D490,083 S * 5/2004 Wu D14/439
D491,189 S * 6/2004 Williams D14/439
D530,704 S * 10/2006 Cortes D14/217
D545,321 S * 6/2007 Frank D14/439
D556,204 S * 11/2007 Tosh D14/439
D565,573 S * 4/2008 Alo D14/435
7,443,016 B2 * 10/2008 Tsai H01L 21/565
257/678
7,719,845 B1 * 5/2010 Jang G06K 19/07745
361/737
D704,192 S * 5/2014 Ridyard D14/436
D754,665 S * 4/2016 Zhang D14/439
D783,623 S * 4/2017 Crisp D14/439

* cited by examiner

Primary Examiner — Austin Murphy

(74) *Attorney, Agent, or Firm* — Mintz Levin Cohn Ferris
Glovsky and Popeo, PC; Lisa Adams

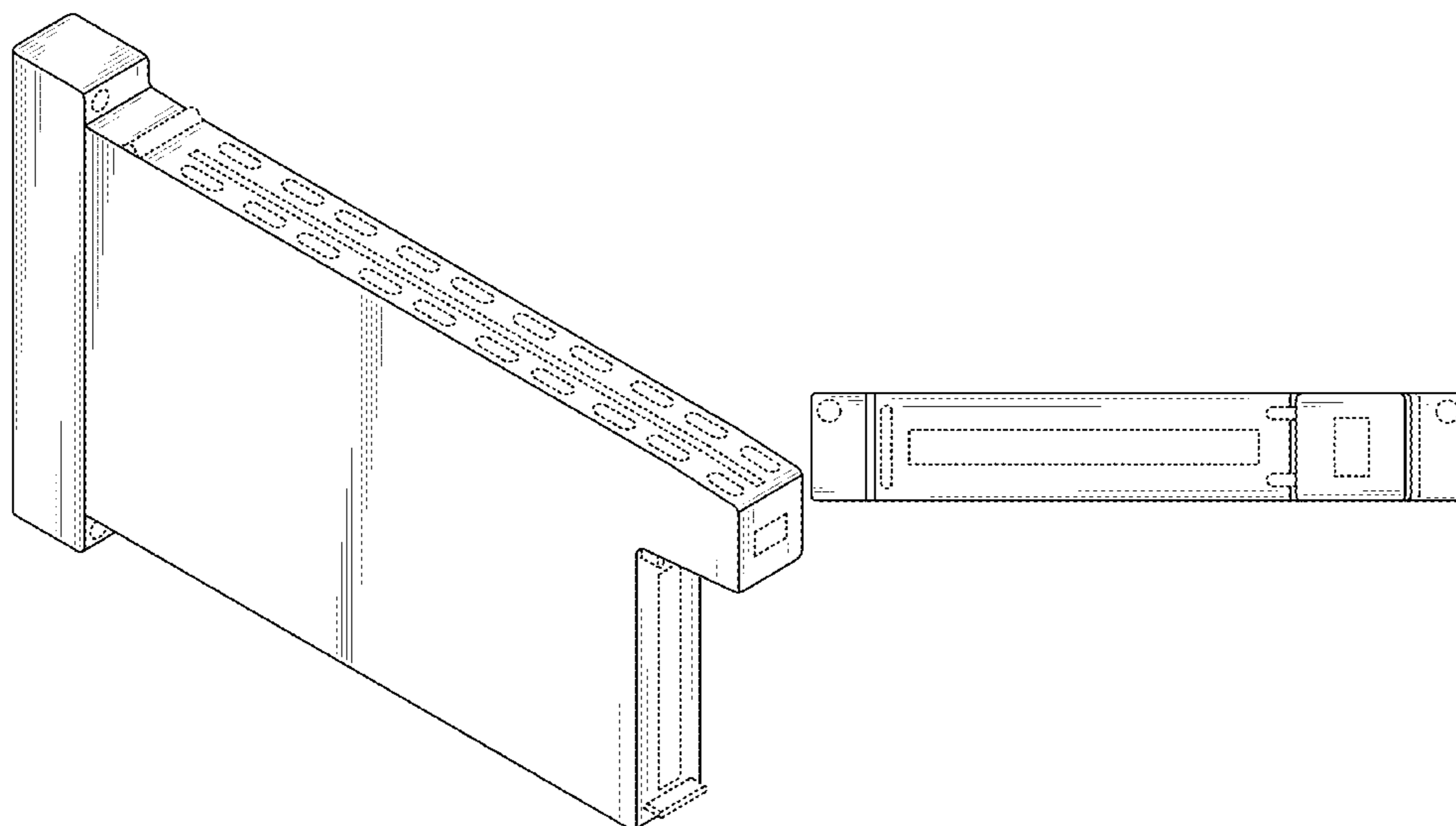
(57) **CLAIM**

The ornamental design for a card module, as shown and described.

DESCRIPTION

FIG. 1 is a front-facing, top perspective view of a card module showing our design;
FIG. 2 is a front-facing, bottom perspective view of the card module of FIG. 1;
FIG. 3 is a rear-facing, top perspective view of the card module of FIG. 1;
FIG. 4 is a front view of the card module of FIG. 1;
FIG. 5 is a rear view of the card module of FIG. 1;
FIG. 6 is a top view of the card module of FIG. 1;
FIG. 7 is a bottom view of the card module of FIG. 1;
FIG. 8 is a left view of the card module of FIG. 1; and,
FIG. 9 is a right view of the card module of FIG. 1.
Where applicable, elements are shown in broken lines herein for illustrative purposes only, and form no part of the claimed design.

1 Claim, 9 Drawing Sheets



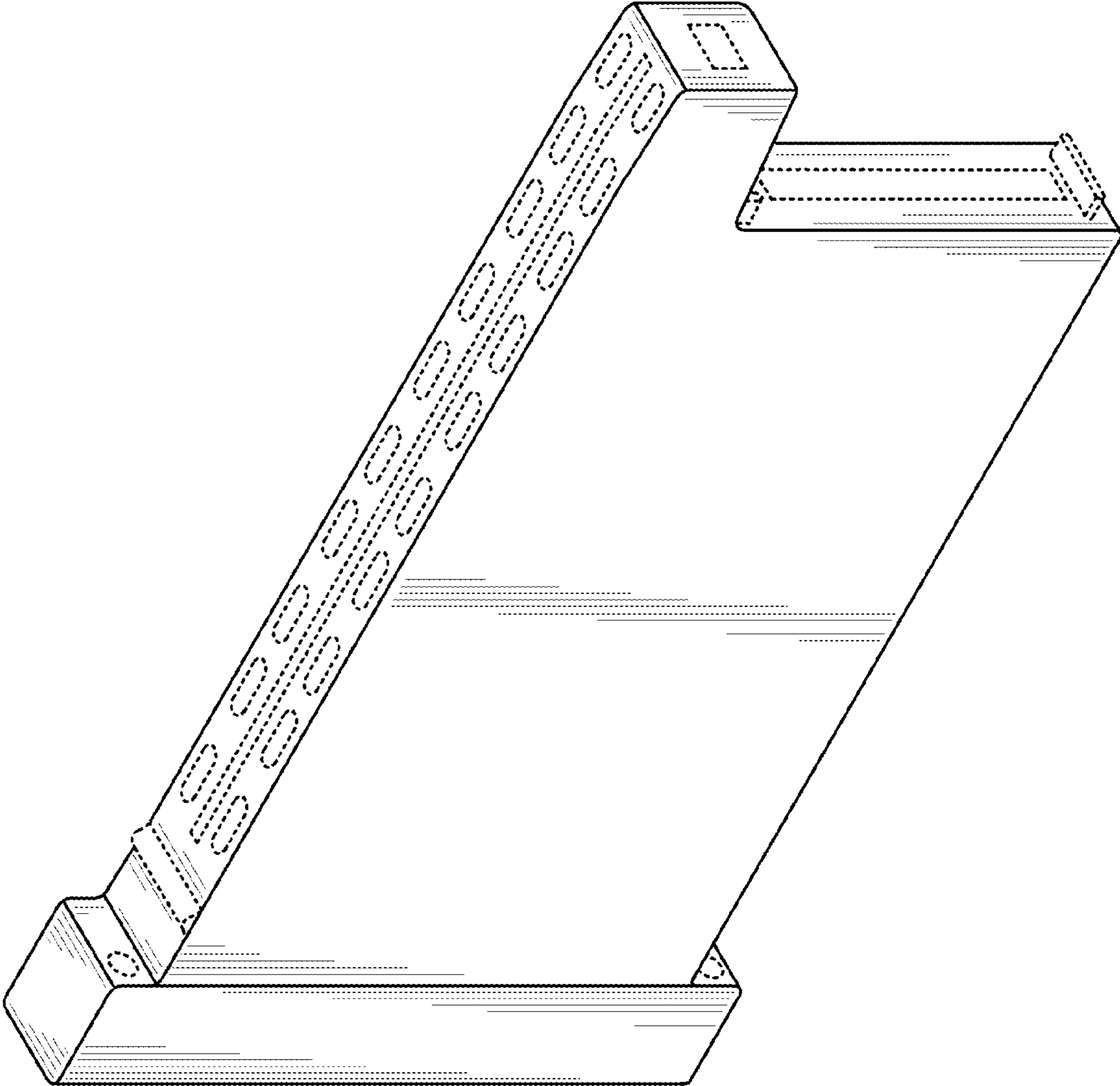


FIG. 1

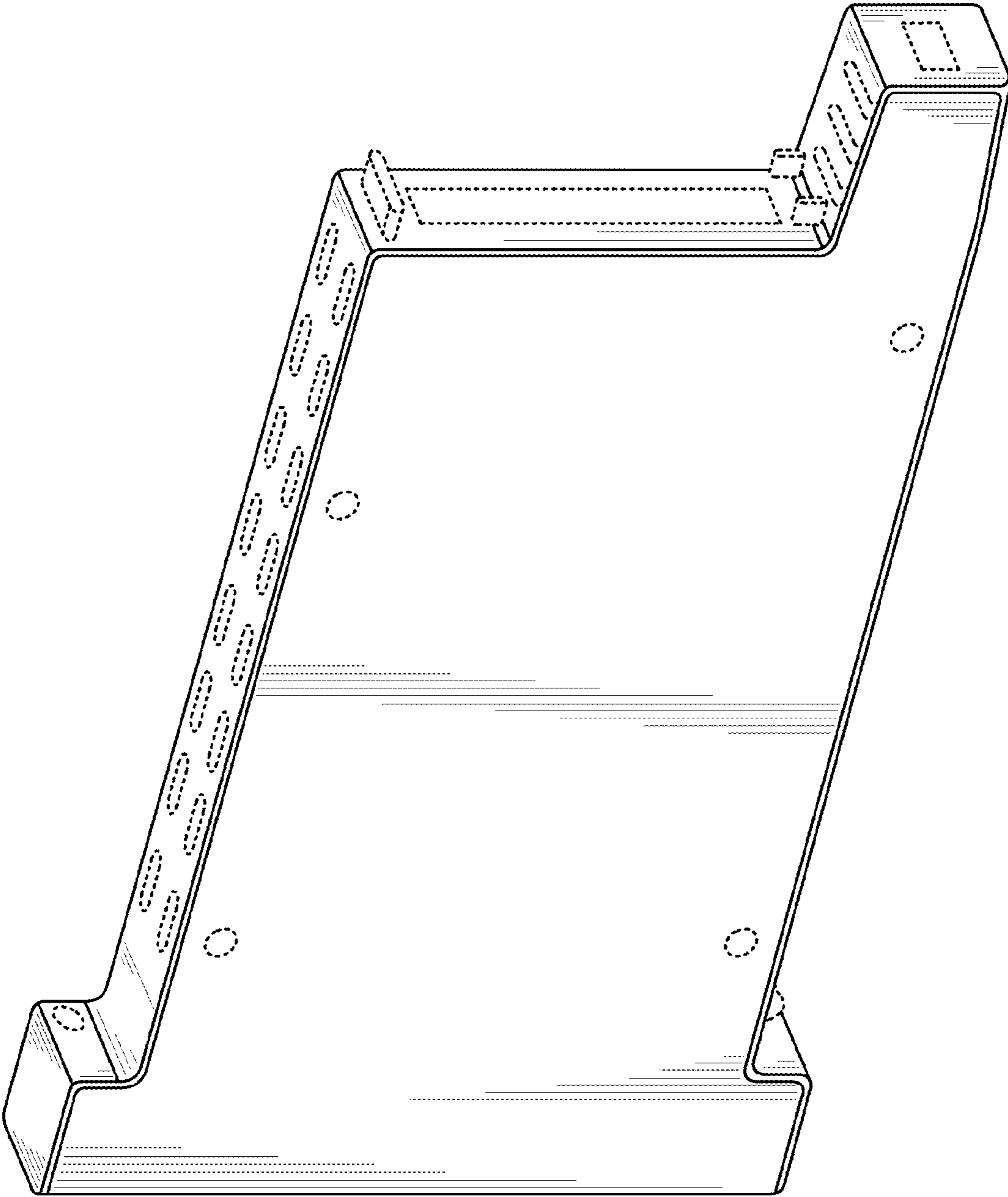


FIG. 2

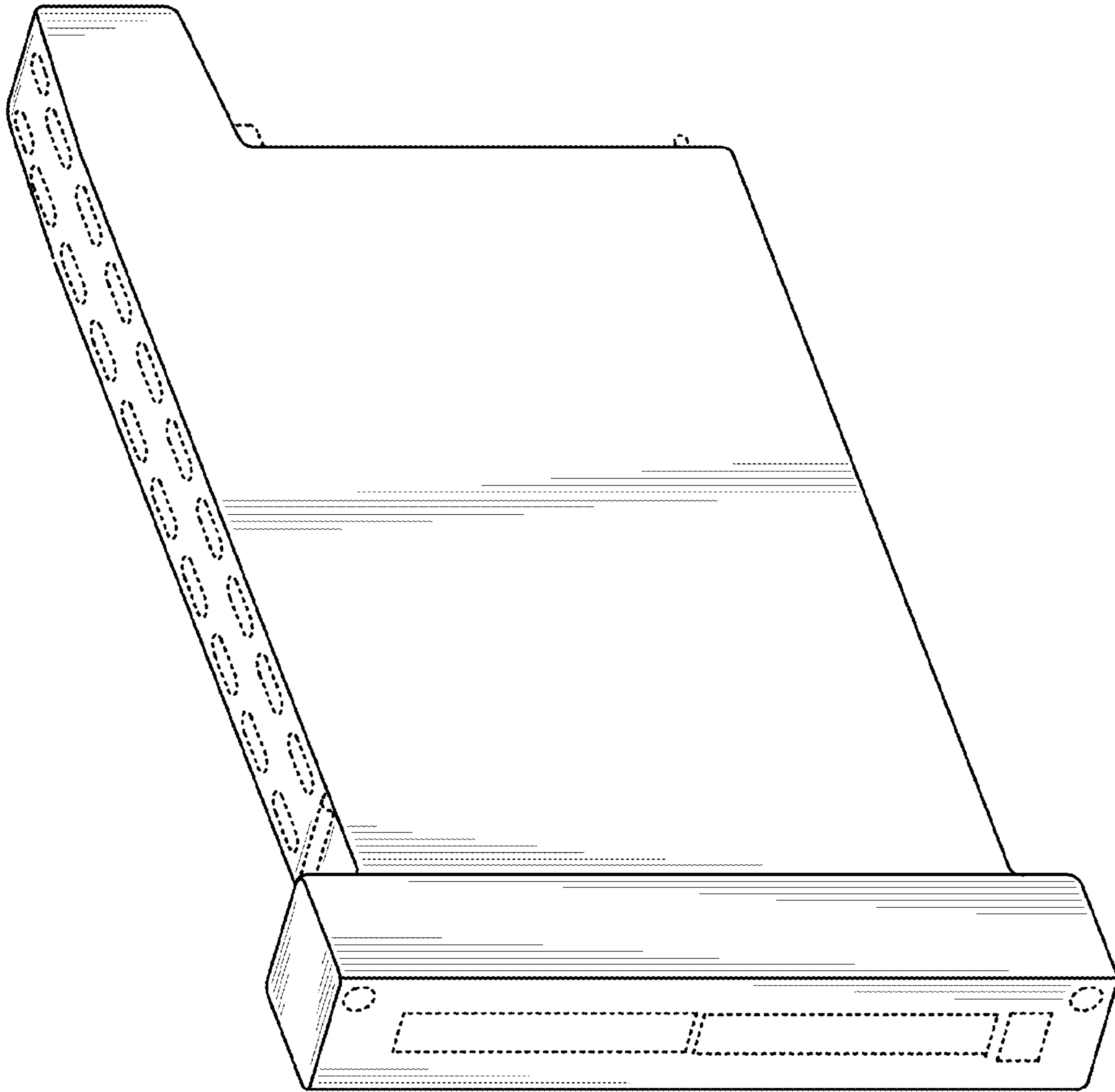


FIG. 3

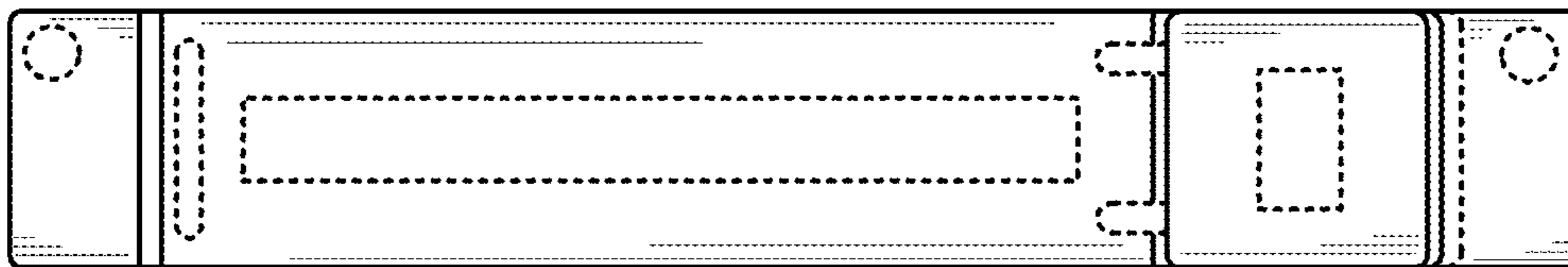


FIG. 4

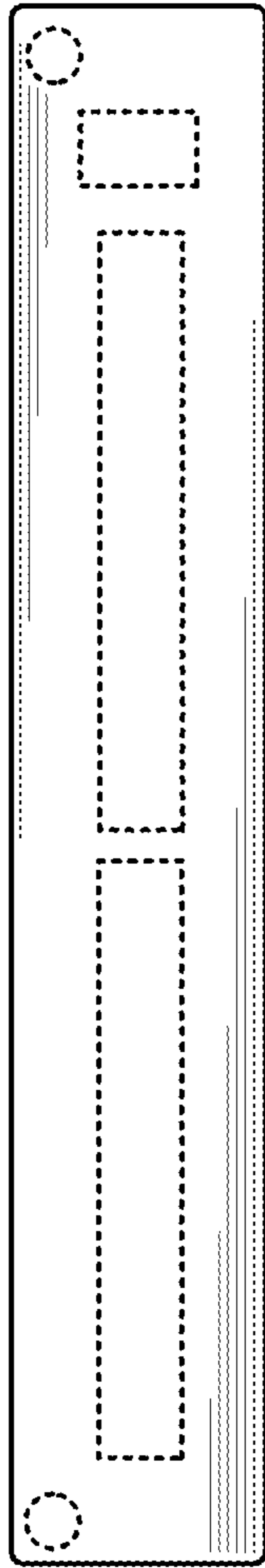


FIG. 5

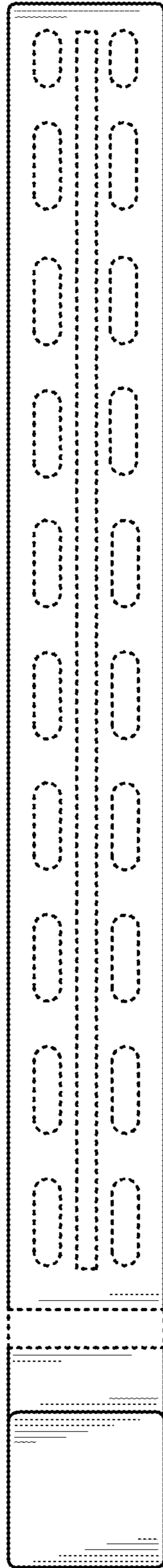


FIG. 6

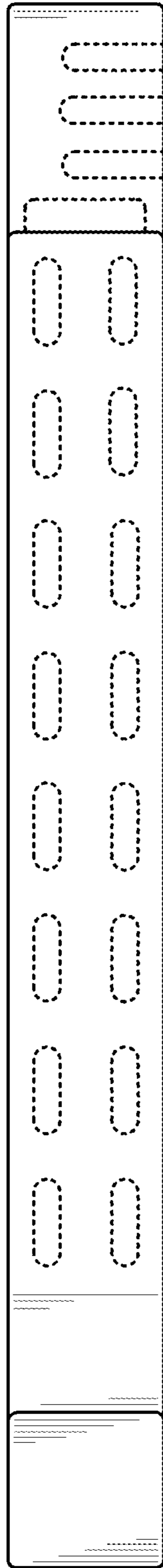


FIG. 7

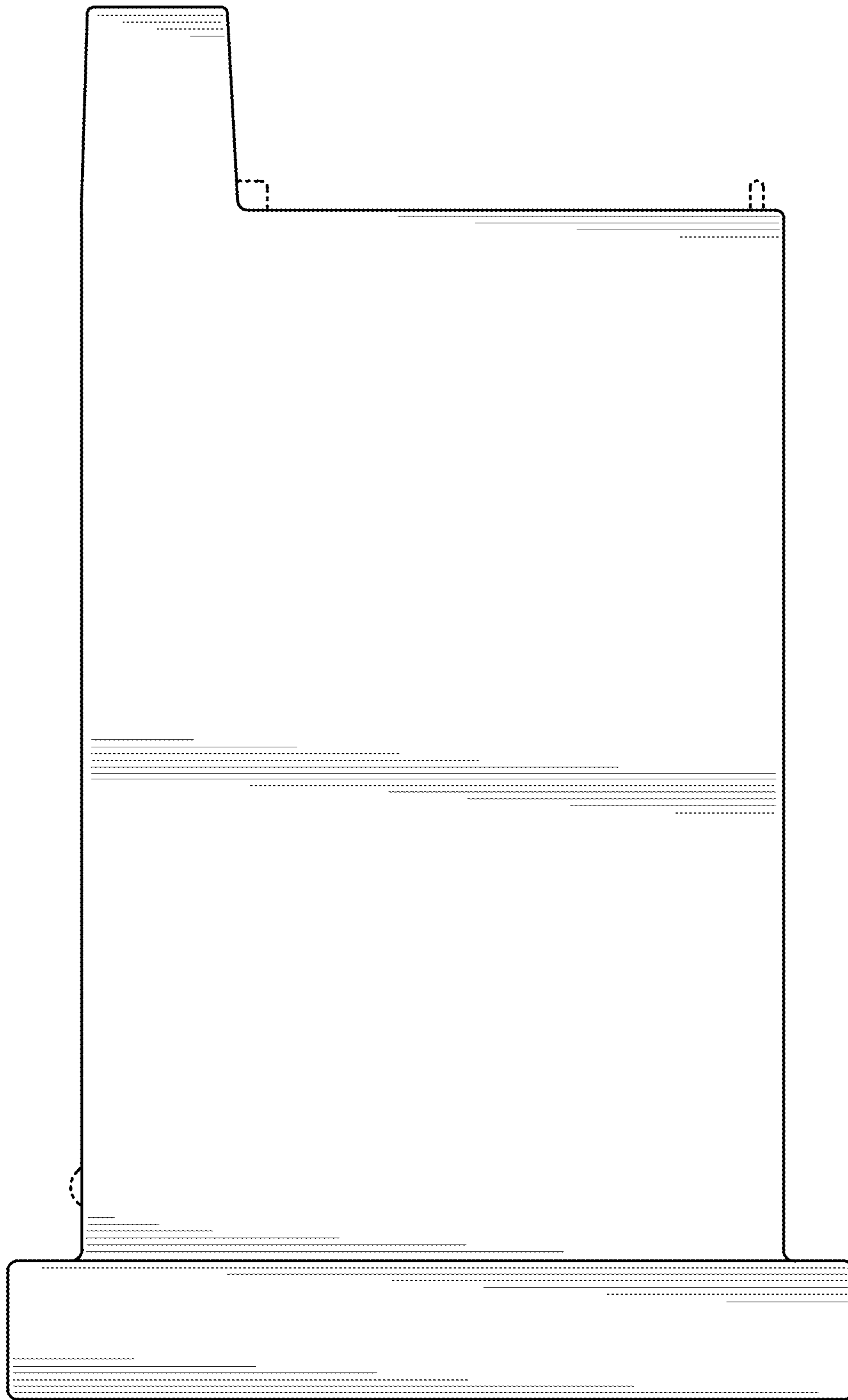


FIG. 8

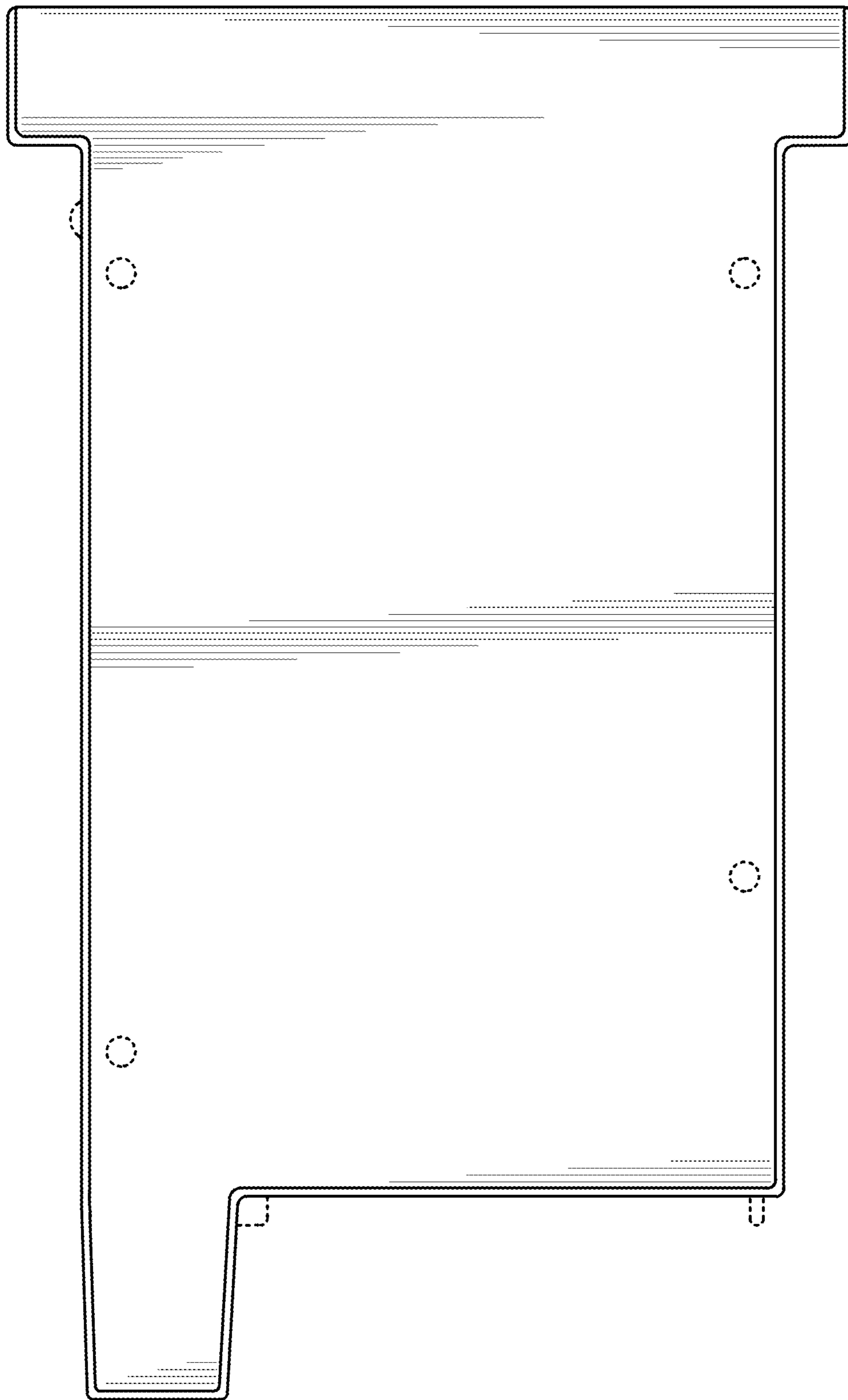


FIG. 9