



US00D951940S

(12) **United States Design Patent**
Fehr et al.

(10) **Patent No.:** **US D951,940 S**
(45) **Date of Patent:** **** May 17, 2022**

(54) **DISPLAY MOUNT**

(71) Applicant: **CKnapp Sales, Inc.**, Goodfield, IL (US)

(72) Inventors: **Micah Fehr**, Danvers, IL (US); **Nick Welander**, East Peoria, IL (US)

(73) Assignee: **CKnapp Sales, Inc.**, Goodfield, IL (US)

(**) Term: **15 Years**

(21) Appl. No.: **29/713,864**

(22) Filed: **Nov. 19, 2019**

(51) **LOC (13) Cl.** **14-02**

(52) **U.S. Cl.**

USPC **D14/375**

(58) **Field of Classification Search**

USPC ... D14/203.8, 214, 224, 229, 238, 253, 316, D14/324, 372, 374-377, 388-389, 434, D14/447, 452, 238.1; D20/10, 15, 40, D20/42-44; D8/306, 363, 380-382, 354; 248/121, 122.1, 127, 346.05, 676; 29/525.11

CPC A47G 1/141; A47G 1/0605; A47G 1/142; G09F 1/12; G06Q 20/202; F16M 2200/06; F16M 11/08; F16B 2/12; A47B 97/001

See application file for complete search history.

(56) **References Cited**

U.S. PATENT DOCUMENTS

D260,758 S *	9/1981	Borugian	D12/180
D560,677 S *	1/2008	Wohlford	D14/451
D568,325 S *	5/2008	Muday	D14/452
D574,222 S *	8/2008	Golias, Jr.	D34/38
D638,023 S *	5/2011	Skull	D14/452
D641,610 S *	7/2011	Sedalo	D8/354
D662,103 S *	6/2012	Brandt	D14/452

D662,104 S *	6/2012	Brandt	D14/452
D666,207 S *	8/2012	Brandt	D14/452
D776,514 S *	1/2017	Schroeder	D8/354

(Continued)

FOREIGN PATENT DOCUMENTS

CN	304553953	*	3/2018
KR	300768711.0000	*	11/2014

OTHER PUBLICATIONS

MOUNT-AR240H VESA Adapter, VIVO, vivo-us.com, author unlisted, published on Sep. 27, 2020 per wayback machine © VIVO, online, site visited Nov. 16, 2020. Available from Internet, URL: <https://vivo-us.com/products/mount-ar240h> (Year: 2020).*

(Continued)

Primary Examiner — Lakiya G Rogers

Assistant Examiner — Altaira J Swangin

(74) *Attorney, Agent, or Firm* — Hanley, Flight & Zimmerman, LLC

(57)

CLAIM

The ornamental design for a “display mount”, substantially as shown and described.

DESCRIPTION

FIG. 1 is a front elevational view of a display mount.

FIG. 2 is a back perspective view of the display mount of FIG. 1.

FIG. 3 is a right side perspective view of the display mount of FIG. 1.

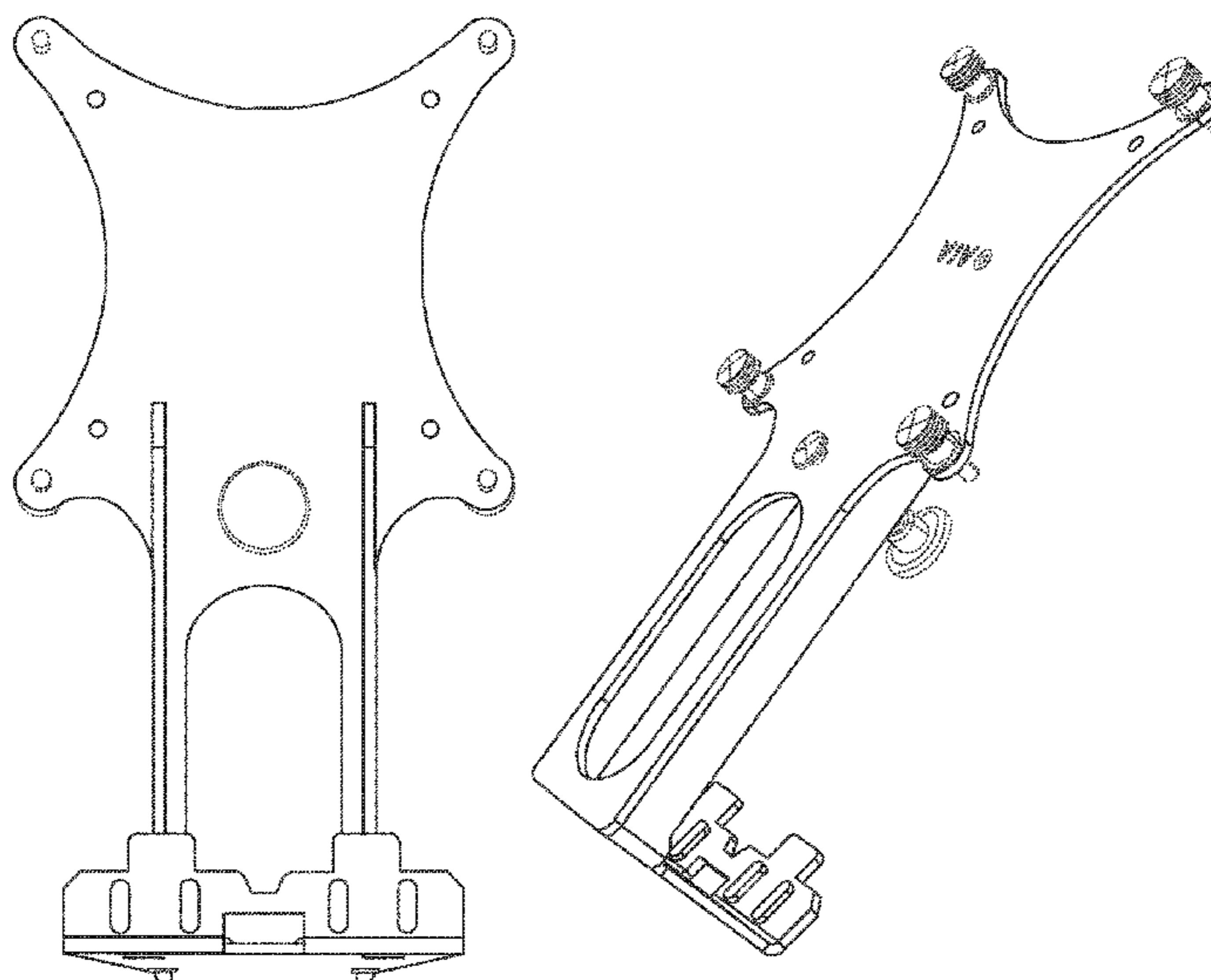
FIG. 4 is a left side perspective view of the display mount of FIG. 1.

FIG. 5 is a bottom plan view of the display mount of FIG. 1.

FIG. 6 is a top plan view of the display mount of FIG. 1; and, FIG. 7 is a front right perspective view of the display mount of FIG. 1.

The features shown in broken lines form no part of the claimed design.

1 Claim, 7 Drawing Sheets



(56)

References Cited

U.S. PATENT DOCUMENTS

D846,369 S * 4/2019 Ni D8/354
 D846,370 S * 4/2019 Ni D8/354
 D852,173 S * 6/2019 Ni D14/239
 D859,958 S * 9/2019 Ni D8/354
 D871,380 S * 12/2019 Fehr D14/239
 D894,717 S * 9/2020 Fehr D8/354
 D894,879 S * 9/2020 Fehr D14/238
 D901,469 S * 11/2020 Fehr D14/238
 D912,497 S * 3/2021 Herbertsson D8/354
 D921,616 S * 6/2021 Rissanen D14/224
 D932,499 S * 10/2021 Lu D14/452
 D932,874 S * 10/2021 Del Rossa D8/354
 2005/0258321 A1 * 11/2005 Worrall F16M 13/027
 248/201
 2010/0027199 A1 * 2/2010 Boycher G09F 7/18
 361/679.01
 2010/0123061 A1 * 5/2010 Vlies F16M 11/2014
 248/220.1
 2012/0187264 A1 * 7/2012 Vlies F16M 11/10
 248/220.1
 2015/0159804 A1 * 6/2015 Bowman F16M 11/045
 248/122.1
 2016/0305600 A1 * 10/2016 Bowman F16M 11/2021
 2016/0353885 A1 * 12/2016 Feldman F16M 11/10

2017/0350552 A1 * 12/2017 James A47C 4/02
 2018/0177299 A1 * 6/2018 Pei F16M 13/02
 2019/0191879 A1 * 6/2019 Pei F16M 11/105
 2019/0339593 A1 * 11/2019 Mayville F16C 11/10
 2020/0301258 A1 * 9/2020 Lowe G03B 17/561
 2021/0301975 A1 * 9/2021 Klegin F16B 2/065

OTHER PUBLICATIONS

Quick Attach VESA Adapter Plate Bracket, VIVO, amazon.com, published by VIVO on Mar. 30, 2019 © 1996-2020 Amazon.com, Inc., online, site visited Nov. 16, 2020. Available from Internet, URL: https://www.amazon.com/VIVO-Designed-SE2416HX-SE2717HX-Mount-DLSSE2/dp/B07N5XZC/ref=sr_1_27?dchild=1 (Year: 2019).*

VESA Mount Adapter for Asus VX-Series Monitors Fits VX279Q, VX248H, VX24AH, VX228H, VX229H, VX239H, VX238H, and VZ249H [Patented] by HumanCentric, retrieved from <https://www.amazon.com/VESA-Mount-Adapter-Asus-Monitors/dp/B01DAYSNU6/>, on Apr. 10, 2019, 1 page.

VESA Mount Adapter for Asus Monitors MX239H, MX259H, MX279H, MX299Q, MX25AQ, and MX27AQ—by HumanCentric, retrieved from <https://www.amazon.com/Adapter-Monitors-MX239H-MX259H-MX279H/dp/B01BFWROZU/>, on Apr. 11, 2019, 1 page.

* cited by examiner

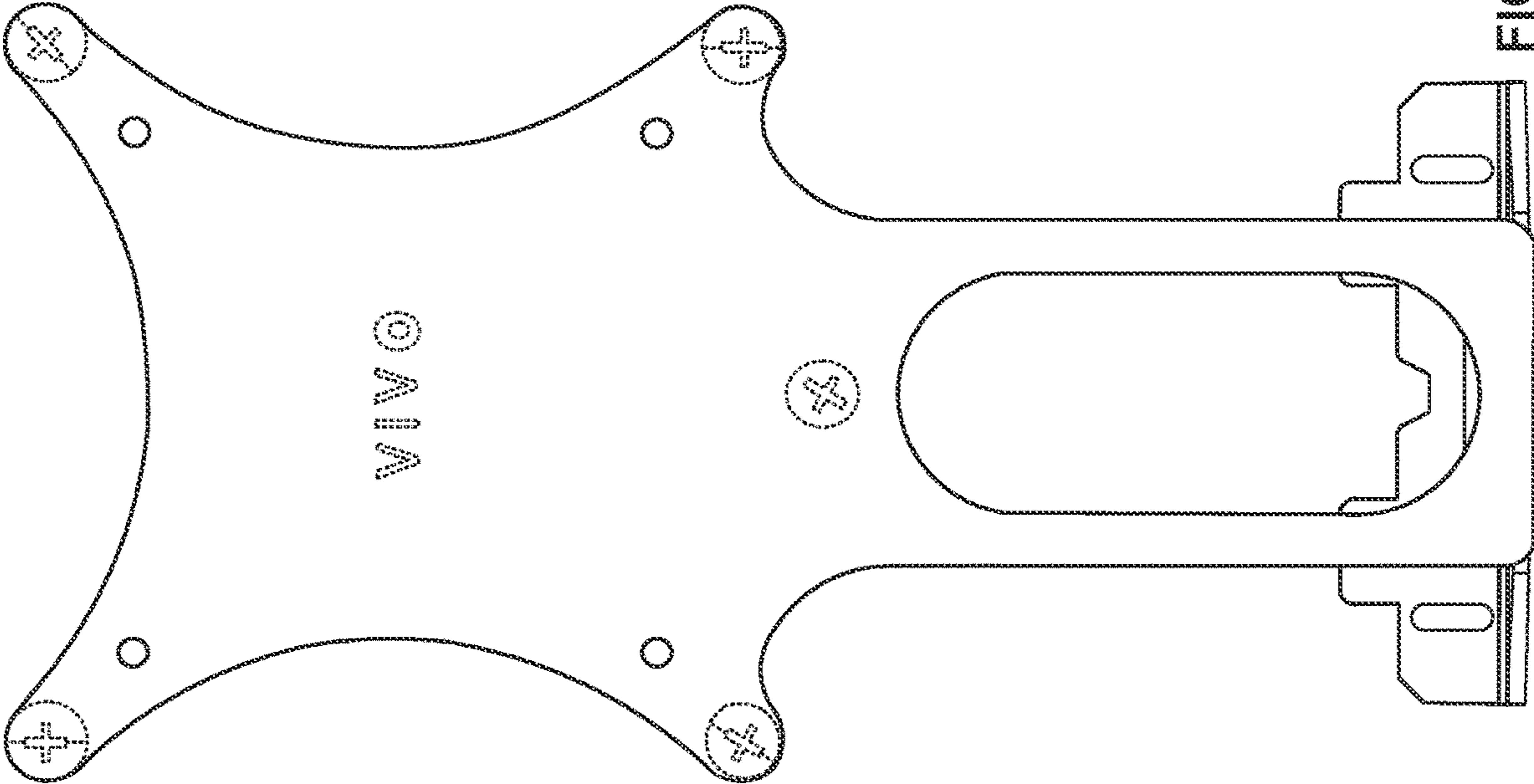


FIG. 1

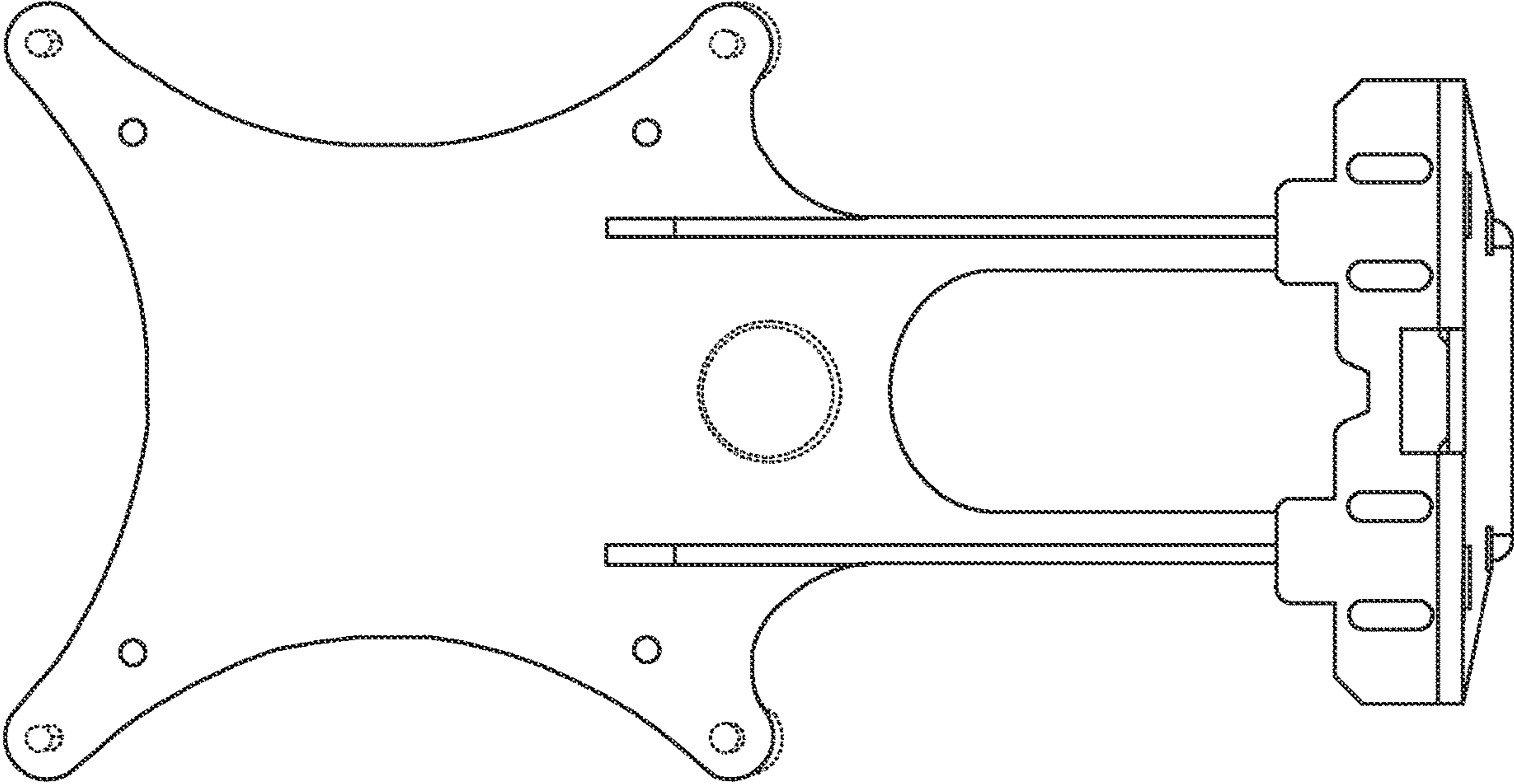


FIG. 2

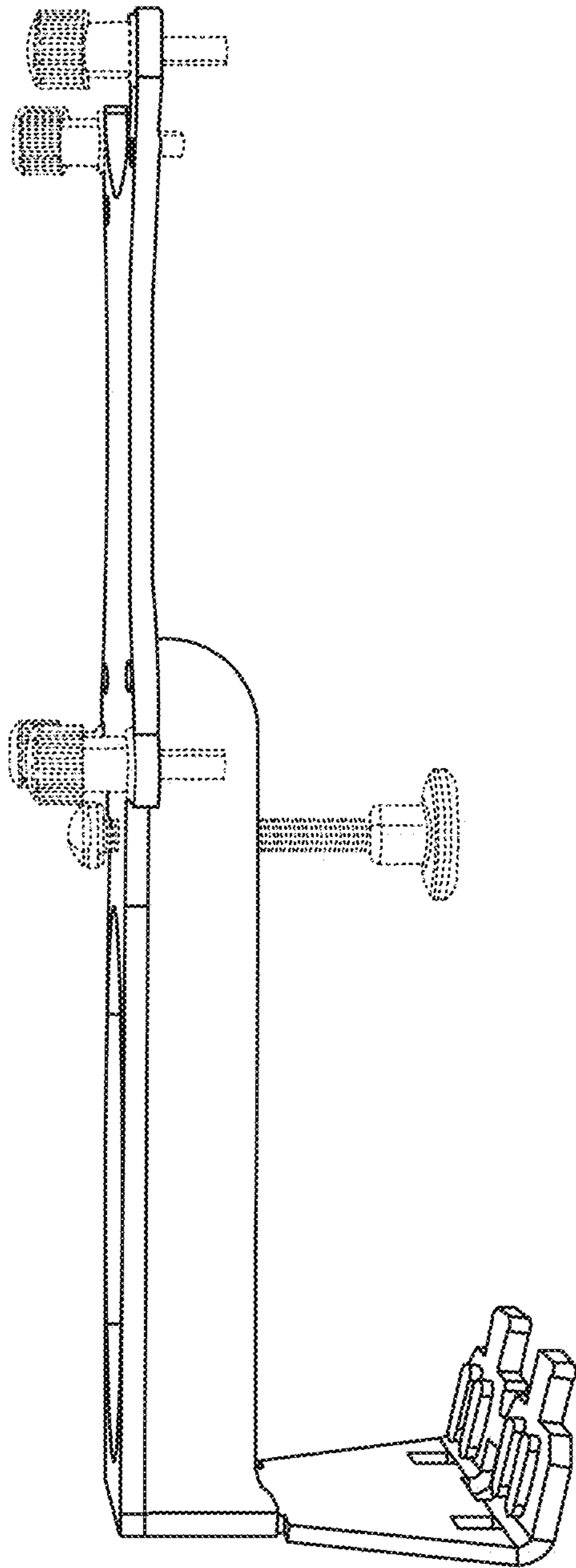


FIG. 3

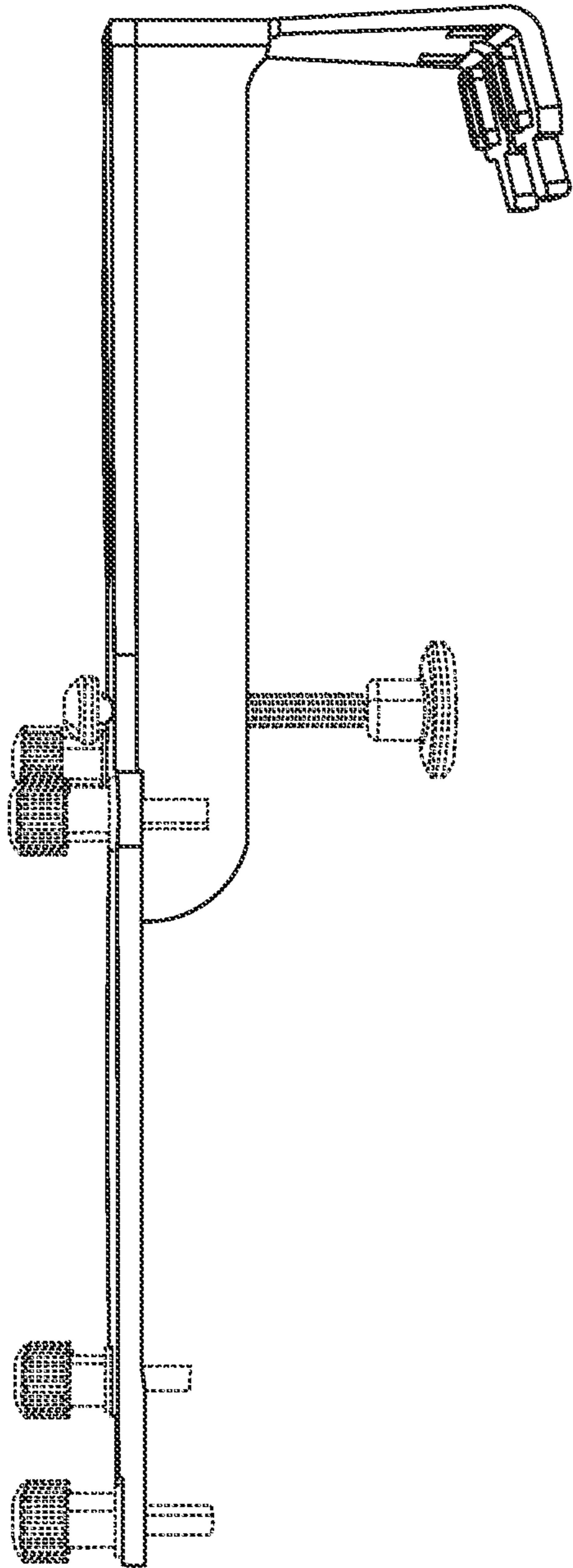


FIG. 4

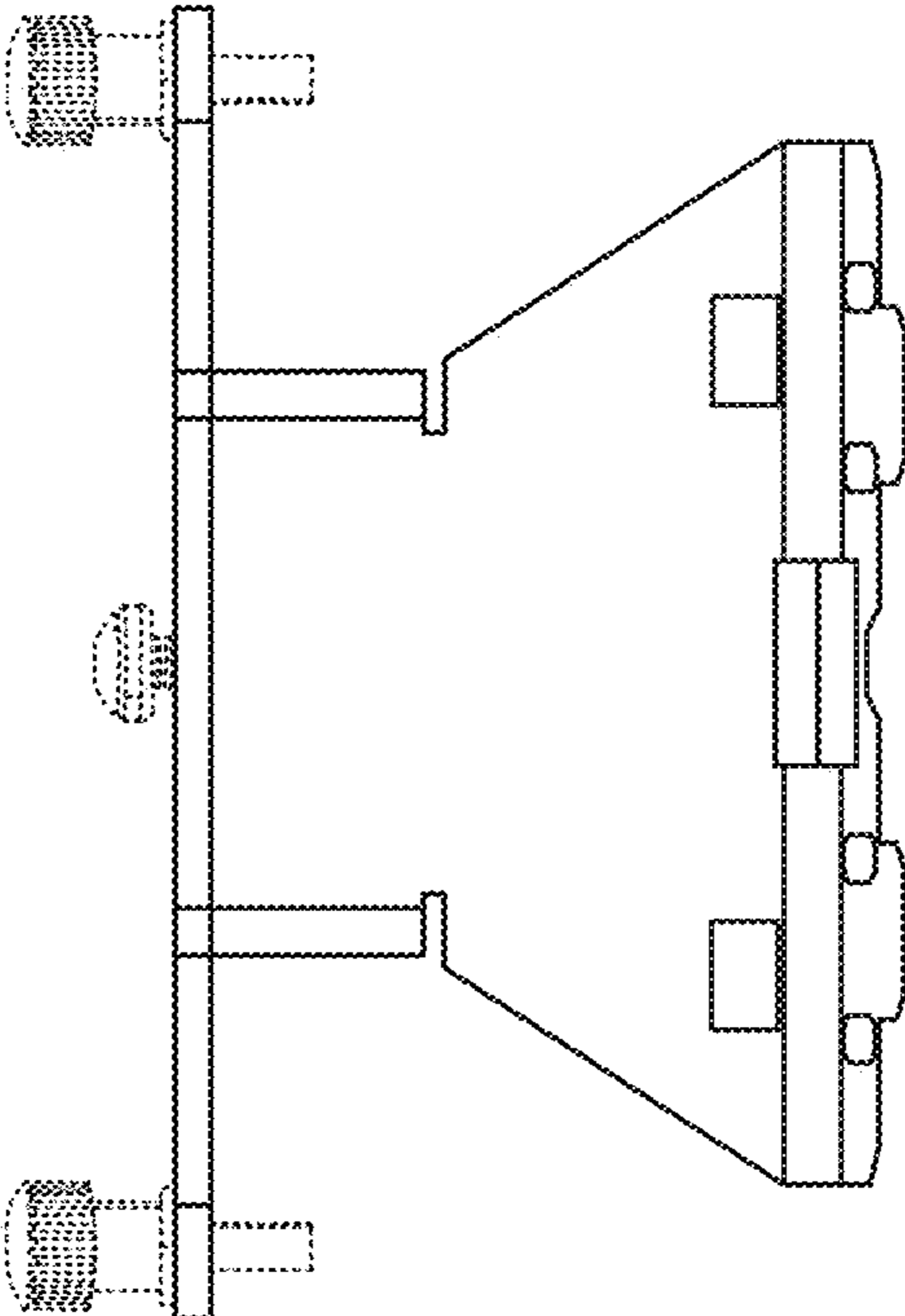


FIG. 5

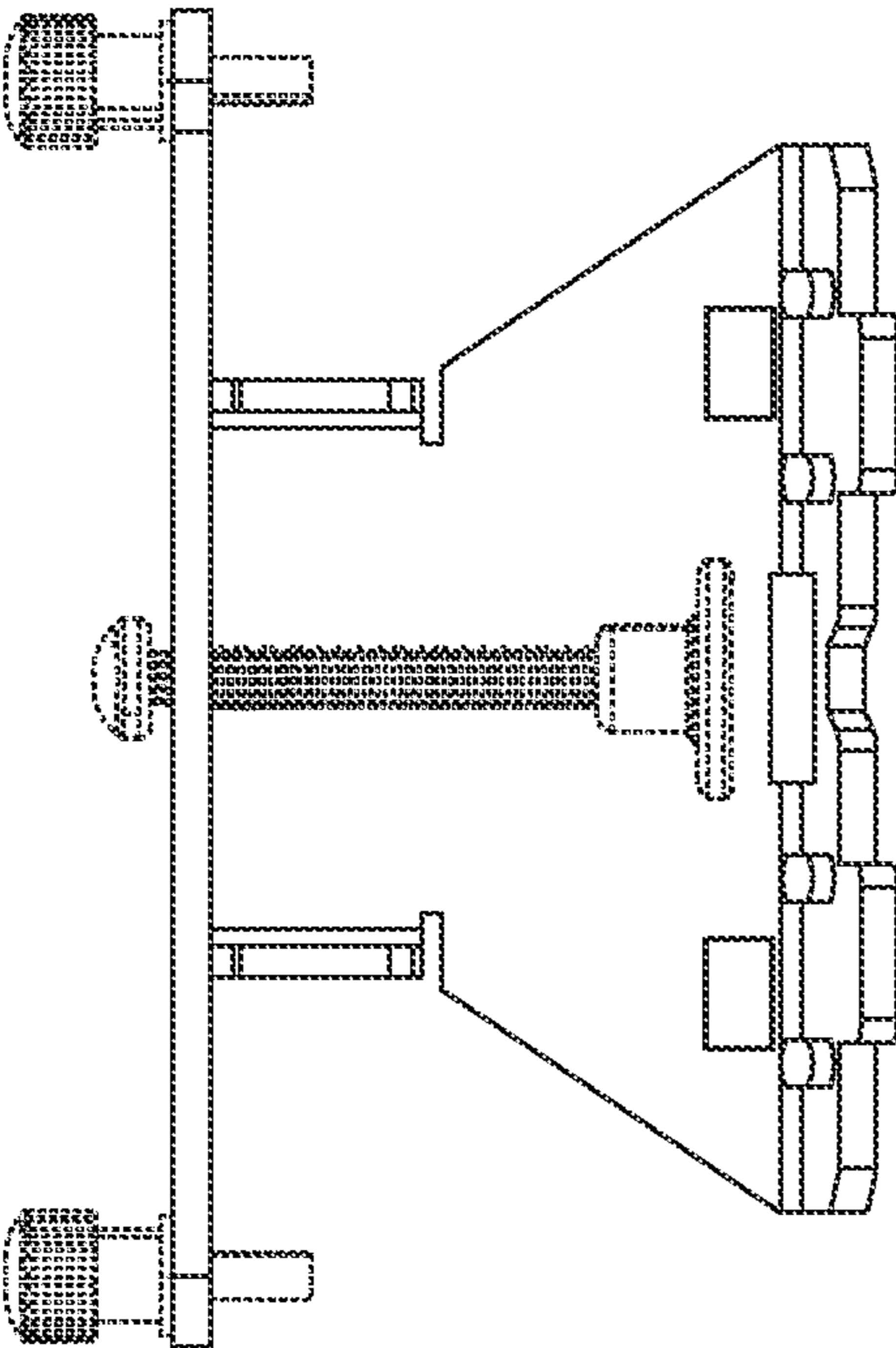


FIG. 6

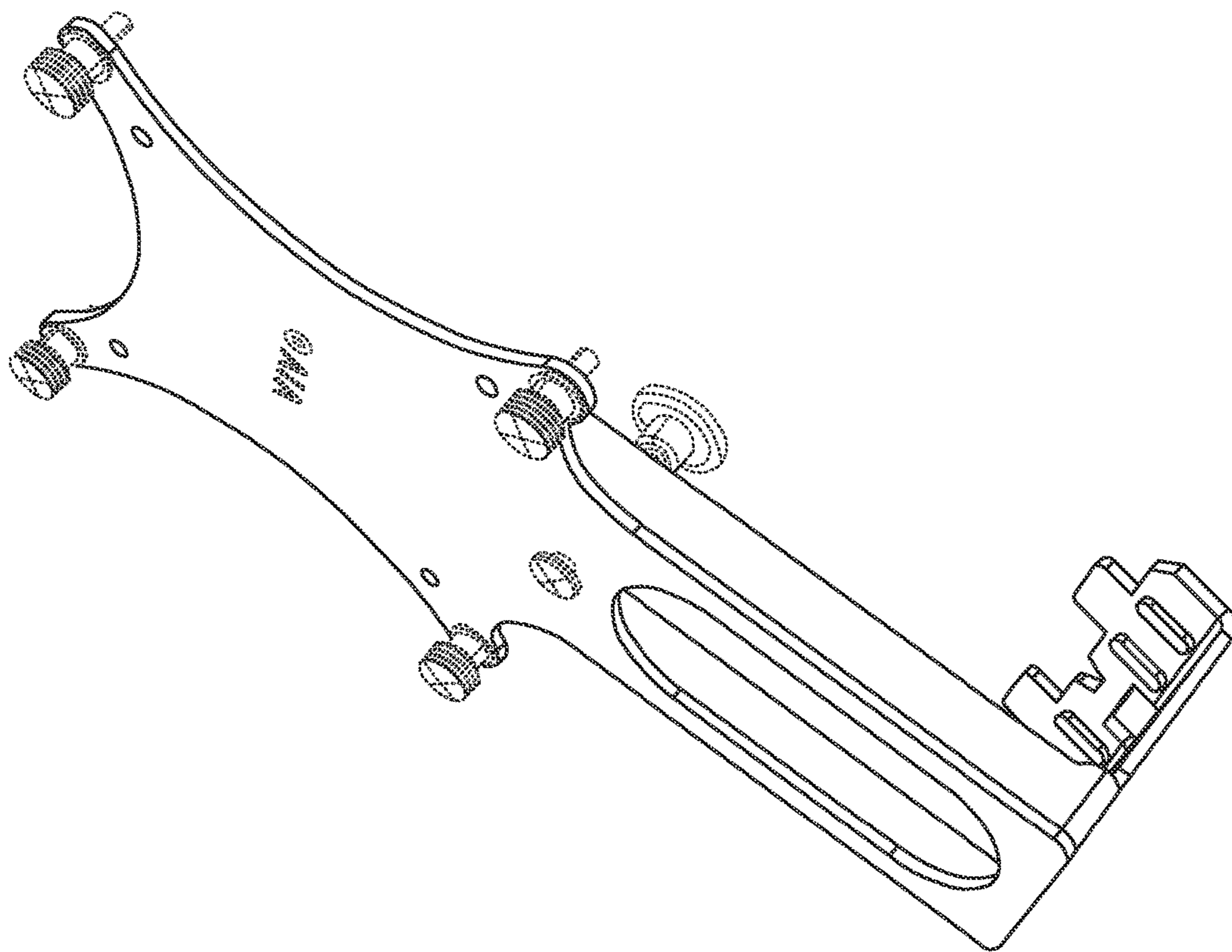


FIG. 7