



US00D951939S

(12) **United States Design Patent** (10) **Patent No.:** **US D951,939 S**  
**Cepress et al.** (45) **Date of Patent:** **\*\* May 17, 2022**

(54) **DISPLAY DEVICE**

(71) Applicant: **Google LLC**, Mountain View, CA (US)

(72) Inventors: **Carl Cepress**, Mountain View, CA (US); **Matthew Seflic**, San Jose, CA (US); **Maj Isabelle Olsson**, Sunnyvale, CA (US); **James Castro**, San Jose, CA (US); **Katherine Morgenroth**, San Mateo, CA (US)

(73) Assignee: **GOOGLE LLC**, Mountain View, CA (US)

(\*\*) Term: **15 Years**

(21) Appl. No.: **29/663,747**

(22) Filed: **Sep. 18, 2018**

(51) **LOC (13) Cl.** ..... **14-02**

(52) **U.S. Cl.**  
USPC ..... **D14/371**

(58) **Field of Classification Search**  
USPC ..... D14/138 AB, 336, 371, 374-375, 203.8, D14/206, 214, 253, 307, 348-355, 372,  
(Continued)

(56) **References Cited**

**U.S. PATENT DOCUMENTS**

3,527,208 A \* 9/1970 Hoegerman ..... A61H 7/003  
601/136  
4,374,187 A \* 2/1983 Sano ..... H01M 2/043  
429/175

(Continued)

**FOREIGN PATENT DOCUMENTS**

CN 302797536 S 4/2014  
CN 303309233 \* 7/2015

(Continued)

**OTHER PUBLICATIONS**

Nest Hub, Google, thegadgeteer.com, published by Julie Strietelmeier on Sep. 6, 2019 © 2020 The Gadgeteer, online, site visited Jun. 15, 2020. Available at URL: <https://the-gadgeteer.com/2019/09/06/google-nest-hub-review/> (Year: 2019).\*

(Continued)

*Primary Examiner* — Sandra Snapp

*Assistant Examiner* — Altaira J Swangin

(74) *Attorney, Agent, or Firm* — Leason Ellis LLP

(57) **CLAIM**

The ornamental design for a display device, as shown and described.

**DESCRIPTION**

The present application is related to U.S. Design patent application Ser. No. 29/663,749, filed concurrently herewith, the entire disclosure of which is incorporated herein by reference.

FIG. 1 is a perspective view of a display device showing our new design;

FIG. 2 is a front elevation view thereof;

FIG. 3 is a rear elevation view thereof;

FIG. 4 is a right side elevation view thereof;

FIG. 5 is a left side elevation view thereof;

FIG. 6 is a top plan view thereof;

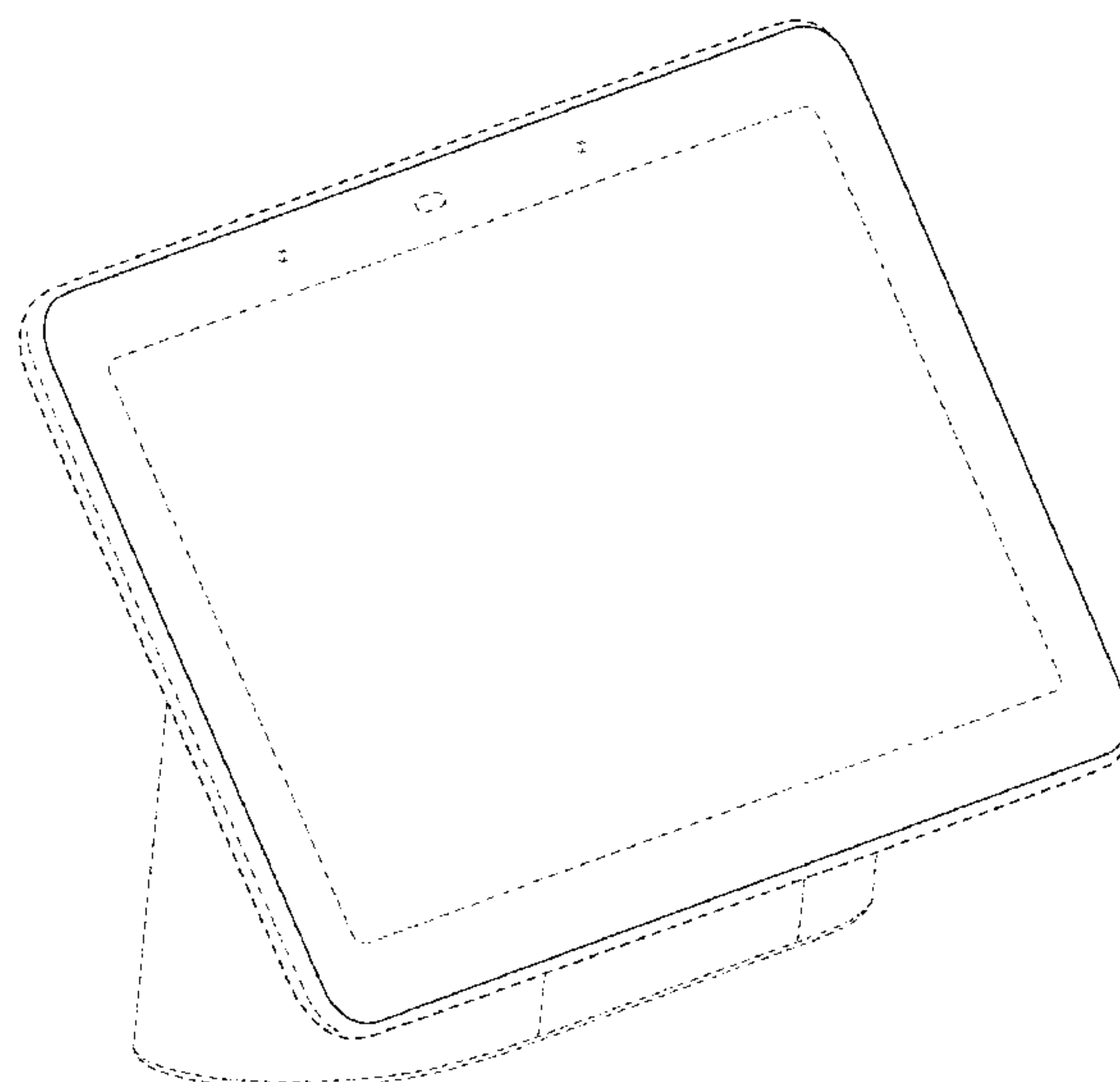
FIG. 7 is a bottom plan view thereof;

FIG. 8 is an enlarged view of the area '8' as seen in FIG. 3; and,

FIG. 9 is an enlarged view of the area '9' as seen in FIG. 4.

In the drawings, the evenly dashed broken lines illustrate portions of the display device that form no part of the claimed design; all unshaded portions including the unshaded regions immediately adjacent solid lines in FIGS. 1, 2, and 6, form no part thereof. The dash-dot broken lines showing enlarged detail views in FIGS. 3, 4, 8, and 9 are for annotative purposes and form no part thereof.

**1 Claim, 6 Drawing Sheets**



(58) **Field of Classification Search**

USPC ..... D14/375-380, 388-389, 900, 902, 224,  
 D14/229, 238, 324, 363, 452, 138 R,  
 D14/138 AA, 138 G, 138 AC, 138 AD,  
 D14/141.2, 142, 378-379, 381-382;  
 D20/10, 15, 40, 43-44; 40/765;  
 248/444, 444.1; D6/308, 310, 313;  
 348/14.02, 14.07, 14.15; 434/113-114,  
 434/191; D21/333; D8/352, 354;  
 D10/1, 2, 15, 24, 27  
 CPC ..... A47G 1/141; A47G 1/0605; A47G 1/142;  
 G09F 1/12; G09F 1/00; H04N 7/00;  
 H04N 5/64; H04N 7/14; H04N 5/44  
 See application file for complete search history.

(56) **References Cited**

U.S. PATENT DOCUMENTS

D291,539 S \* 8/1987 Holterscheidt ..... D10/18  
 4,796,150 A \* 1/1989 Dickey ..... H01T 1/14  
 361/119  
 D310,356 S \* 9/1990 Barron ..... D14/381  
 D319,820 S \* 9/1991 Uchibori ..... D14/381  
 D320,010 S \* 9/1991 Orchard ..... D14/381  
 D332,092 S \* 12/1992 Lo ..... D14/379  
 5,170,001 A \* 12/1992 Amendola ..... G10D 13/12  
 84/422.4  
 D338,740 S \* 8/1993 Nguyen ..... D28/59  
 D346,594 S \* 5/1994 Skaggs ..... D14/375  
 D359,673 S \* 6/1995 Gibson ..... D8/352  
 D372,331 S \* 7/1996 Cheng ..... D26/142  
 D380,854 S \* 7/1997 Bray ..... D26/142  
 D398,293 S \* 9/1998 Lindblom ..... D14/126  
 D406,187 S \* 3/1999 Garcia-Gutierrez ..... D1/127  
 D413,314 S \* 8/1999 Morimiya ..... D14/379  
 D417,281 S \* 11/1999 East ..... D24/200  
 D455,776 S \* 4/2002 Gardner ..... D18/24  
 D494,841 S \* 8/2004 Moon ..... D8/352  
 D531,523 S \* 11/2006 Bhavnani ..... D10/15  
 D550,636 S 9/2007 DeMaio et al.  
 D566,526 S \* 4/2008 Robbins, III ..... D8/354  
 D578,126 S \* 10/2008 Kawase ..... D14/317  
 D583,358 S \* 12/2008 Joseph ..... D10/2  
 D592,165 S \* 5/2009 Bai ..... D14/138 AA  
 D596,631 S \* 7/2009 Van Den Nieuwenhuizen .....  
 D14/247  
 D615,959 S \* 5/2010 Xiao ..... D14/171  
 D618,706 S \* 6/2010 Coleman ..... D15/7  
 D619,795 S \* 7/2010 McBride ..... D2/946  
 D624,528 S \* 9/2010 Hoehn ..... D14/214  
 D631,457 S \* 1/2011 Mo ..... D14/138 AA  
 D640,526 S \* 6/2011 Cash ..... D8/352  
 D660,263 S \* 5/2012 Hofer ..... D14/138 AA  
 D669,070 S \* 10/2012 Hsu ..... D14/341  
 D680,653 S \* 4/2013 Fullerton ..... D24/167  
 D686,184 S \* 7/2013 Takahata ..... D14/151  
 D687,825 S \* 8/2013 Lee ..... D14/341  
 D687,826 S \* 8/2013 Jeon ..... D14/341  
 D692,438 S \* 10/2013 Chang ..... D14/447  
 D693,813 S \* 11/2013 Symons ..... D14/432  
 D694,653 S \* 12/2013 Hsu ..... D10/15  
 D706,516 S \* 6/2014 Caglia ..... D1/105  
 D711,726 S \* 8/2014 Ann ..... D8/380  
 D720,326 S \* 12/2014 Chao ..... D14/138 AA  
 D724,085 S \* 3/2015 Dowd ..... D14/388  
 D741,853 S \* 10/2015 Barron ..... D14/336  
 D748,734 S \* 2/2016 Burgess ..... D21/333  
 D757,162 S \* 5/2016 Lyons ..... D18/50  
 D759,597 S \* 6/2016 Andre ..... D13/147  
 D760,181 S \* 6/2016 Tao ..... D14/138 AA  
 D766,446 S \* 9/2016 Leppert ..... G01C 9/36  
 D24/186  
 D768,785 S \* 10/2016 Kim ..... D21/333  
 D781,285 S 3/2017 Akana et al.  
 D795,217 S \* 8/2017 Akana ..... D14/203.7

D808,957 S 1/2018 Tian  
 D811,383 S \* 2/2018 Diasabeygunawardena .....  
 D14/336  
 D817,187 S \* 5/2018 Poandl ..... D10/15  
 D826,949 S \* 8/2018 Ehara ..... D14/454  
 D832,256 S \* 10/2018 King ..... D14/432  
 D835,072 S \* 12/2018 Won ..... D14/216  
 D845,954 S \* 4/2019 Bae ..... D14/434  
 D847,811 S \* 5/2019 Shim ..... D14/356  
 D850,314 S \* 6/2019 Laurans ..... D10/118.2  
 D850,315 S \* 6/2019 Laurans ..... D10/118.2  
 D850,525 S \* 6/2019 Eun ..... D18/4.6  
 D857,007 S \* 8/2019 Pitallano ..... D14/307  
 D871,500 S \* 12/2019 Balar ..... D18/4.5  
 D873,262 S \* 1/2020 Fernando ..... D14/307  
 D879,640 S \* 3/2020 Jacob ..... D10/118.2  
 D883,244 S \* 5/2020 Kim ..... D14/129  
 D883,283 S \* 5/2020 Chen ..... D14/388  
 D886,749 S \* 6/2020 Emigh ..... D13/170  
 D893,201 S \* 8/2020 Jiang ..... D6/308  
 D912,064 S \* 3/2021 DeFazio ..... D14/447  
 D918,897 S \* 5/2021 Andre ..... D14/341  
 D933,654 S \* 10/2021 Chung ..... D14/371  
 D934,244 S \* 10/2021 Cepass ..... D14/374  
 D935,456 S \* 11/2021 Seflic ..... D14/371  
 D936,651 S \* 11/2021 Seflic ..... D14/371  
 2015/0172798 A1 \* 6/2015 Chao ..... H04M 1/18  
 381/334

FOREIGN PATENT DOCUMENTS

EP 002604470-0005 3/2015  
 JP 1378818 5/2009  
 JP 1386744 5/2010  
 JP 1434261 S 2/2012  
 JP 1449398 8/2012  
 JP 1457728 S 12/2012  
 JP 1477300 S 8/2013  
 JP 1557343 S 8/2016  
 JP 1576686 5/2017  
 JP D1585336 \* 9/2017  
 JP 1596059 1/2018  
 JP 1622494 1/2019  
 KR 3010478210015 \* 3/2020  
 KR 3010478430001 \* 6/2020  
 KR 3010478430002 \* 6/2020  
 KR 3010478430003 \* 6/2020

OTHER PUBLICATIONS

Stainless Steel Edge Pull, Canaropa, doorware.com, author unlisted, published on Apr. 23, 2015 per wayback machine © 2020 US Homeware, Inc., online, site visited Jun. 15, 2020. Available at URL: <https://www.doorware.com/site/product.cfm?id=592240> (Year: 2015).\*

Kenko Co., Ltd, Aska Eye-Popper, Accessed via Internet Address URL: [http://www.jpo.go.jp/tetuzuki/t\\_ishou/kyozetsuriyuu\\_bunken.htm](http://www.jpo.go.jp/tetuzuki/t_ishou/kyozetsuriyuu_bunken.htm), 6 pages.

Korean Design Publication, vol. 07-14, (Mar. 16, 2007), 30-0443718, 5 pages.

Raymarine Dragonfly GPS, Raymarine, D00462, 1 page.

Notification of Grant for Japanese Design Application No. 2019-005692, 2 pages.

T. Chatani & Co., Ltd., mobile phone holder, website image received on Jun. 17, 2020, 1 page.

Notice of Grant for Japanese Patent Application No. 2019-025745, 3 pages.

Notice of Grant for Japanese Patent Application No. 2019-025746, 3 pages.

Notice of Grant for Japanese Patent Application No. 2019-025743, 3 pages.

Notice of Grant for Japanese Patent Application No. 2019-025753, 3 pages.

(56)

**References Cited**

OTHER PUBLICATIONS

Notice of Grant for Japanese Patent Application No. 2019-025749,  
3 pages.

\* cited by examiner



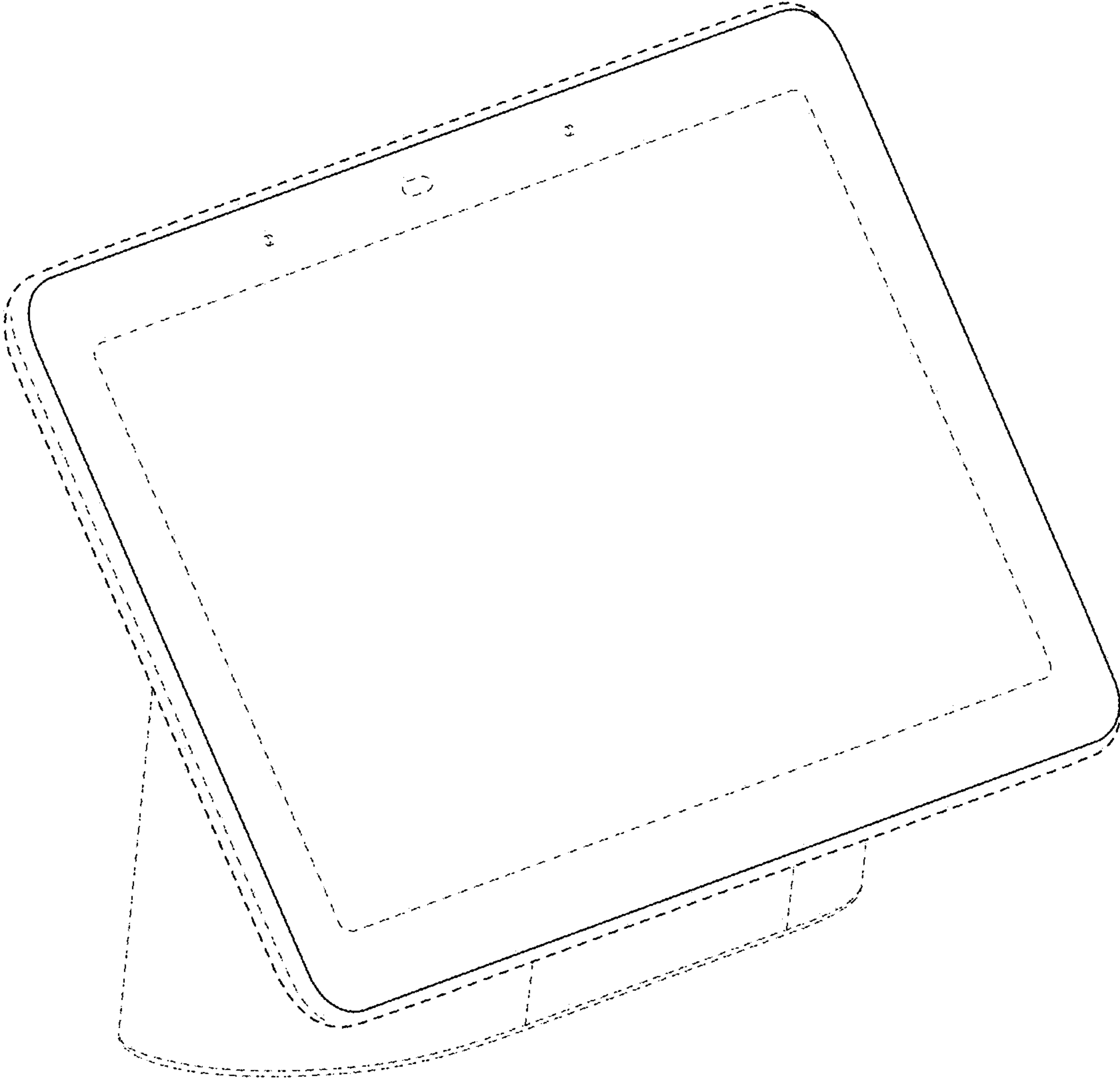


FIG. 1

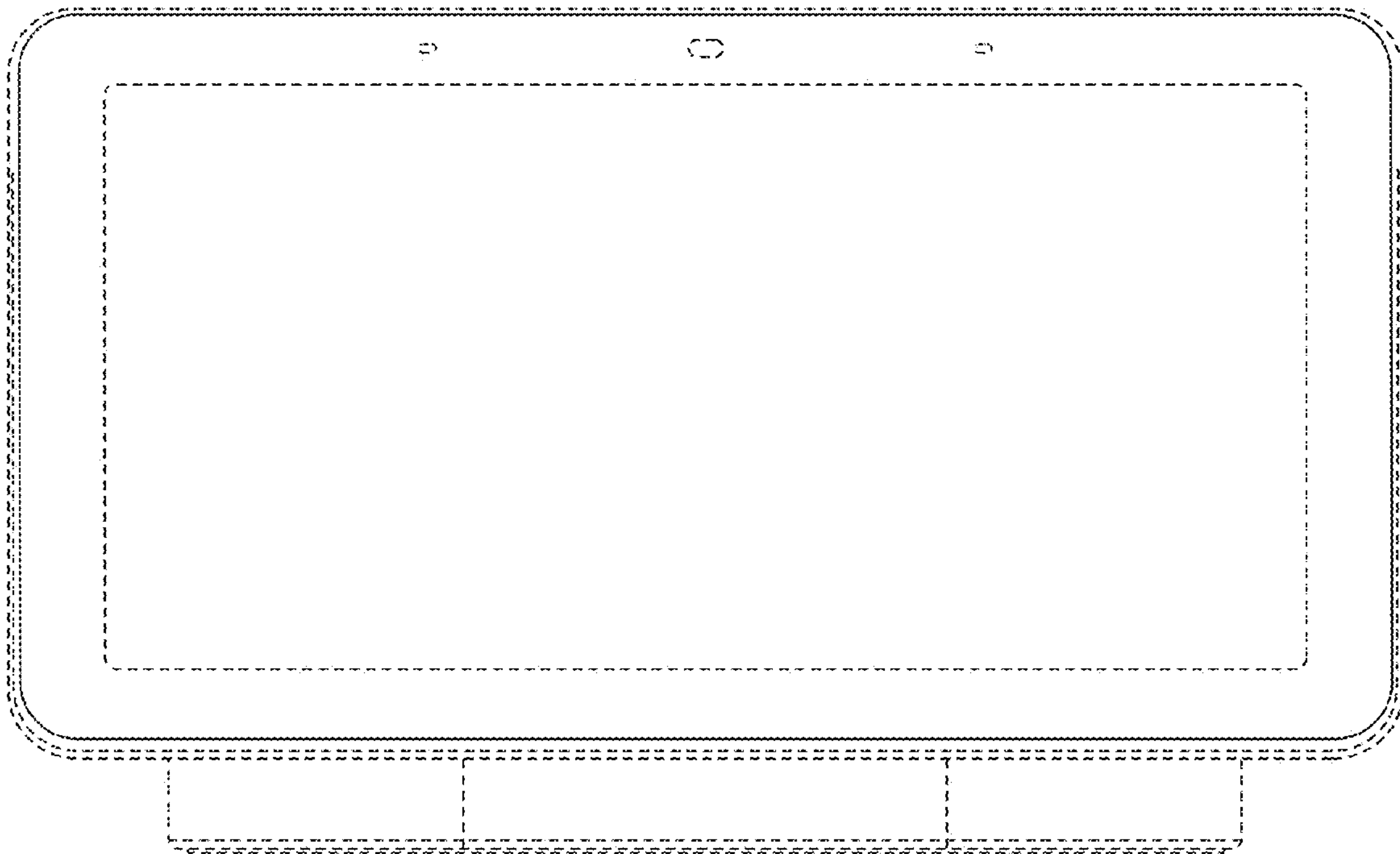


FIG. 2

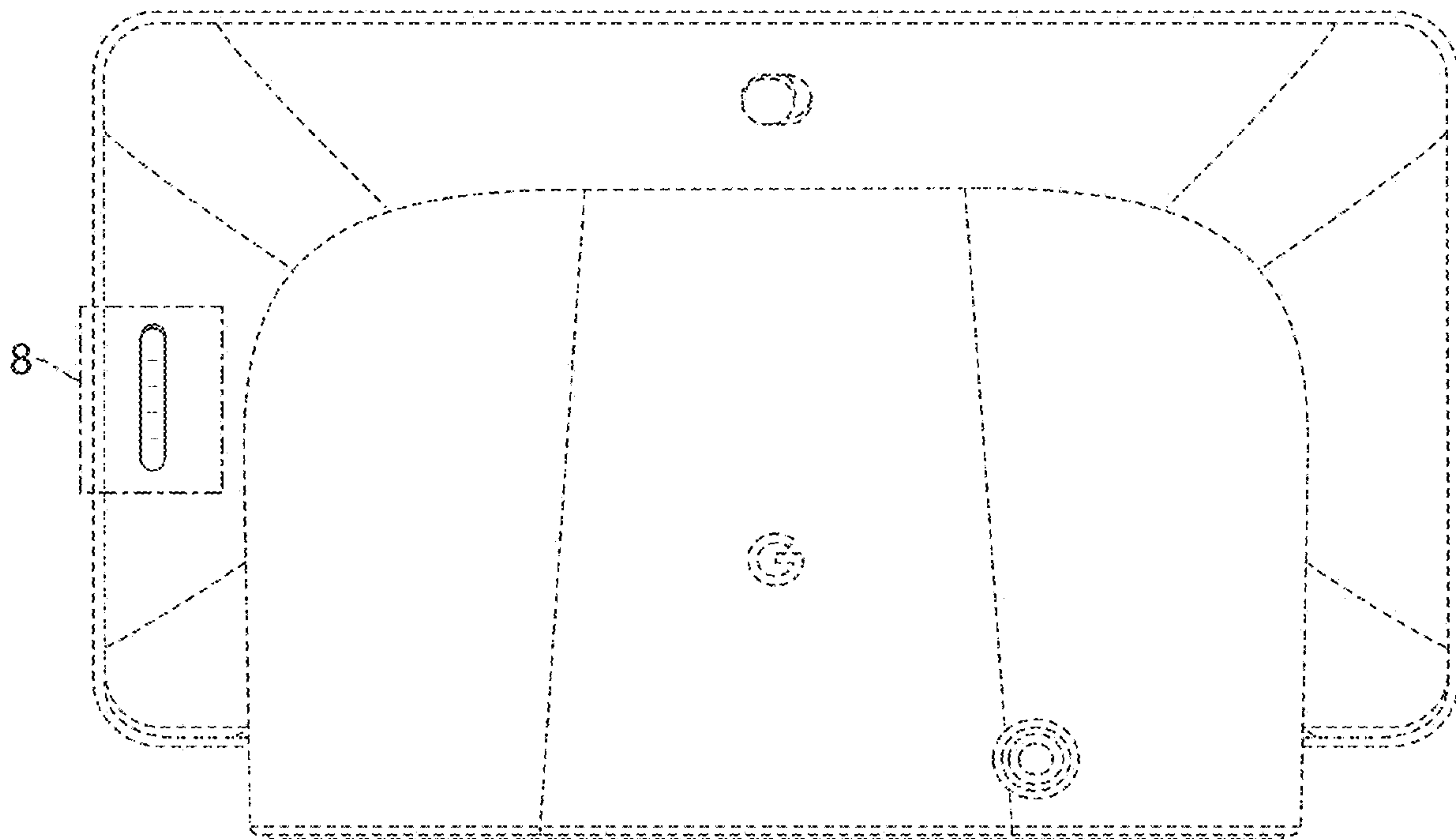


FIG. 3

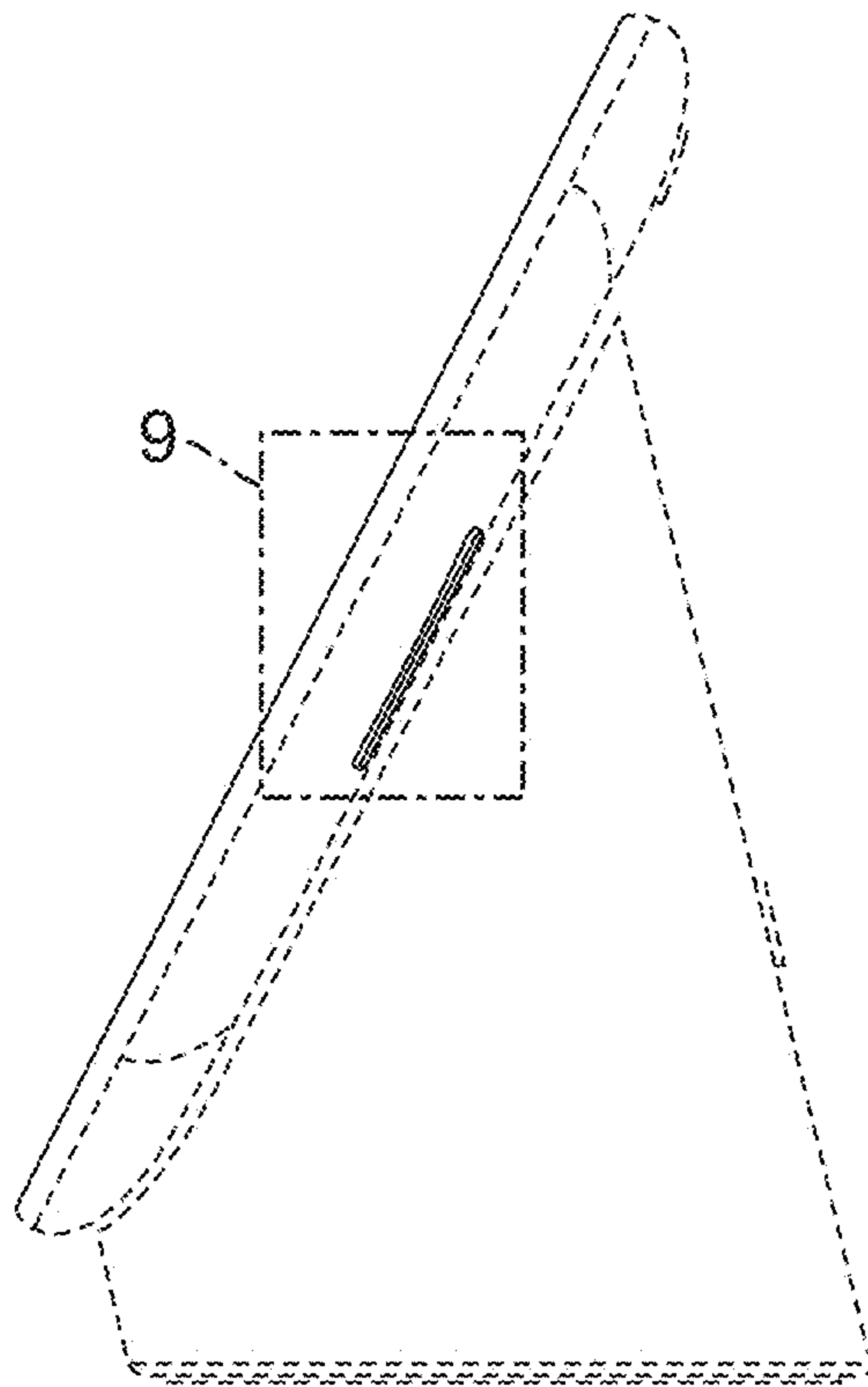


FIG. 4

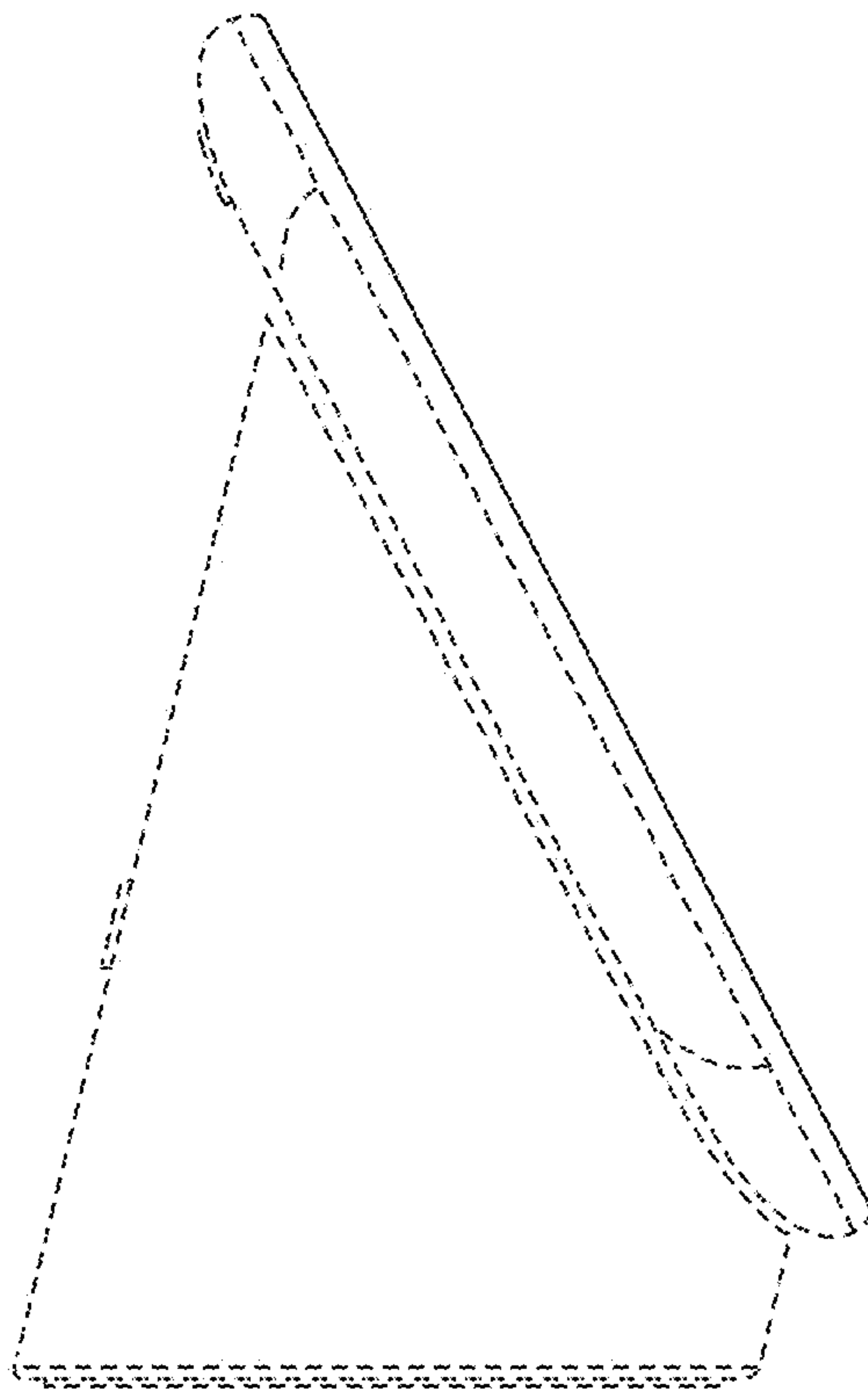


FIG. 5

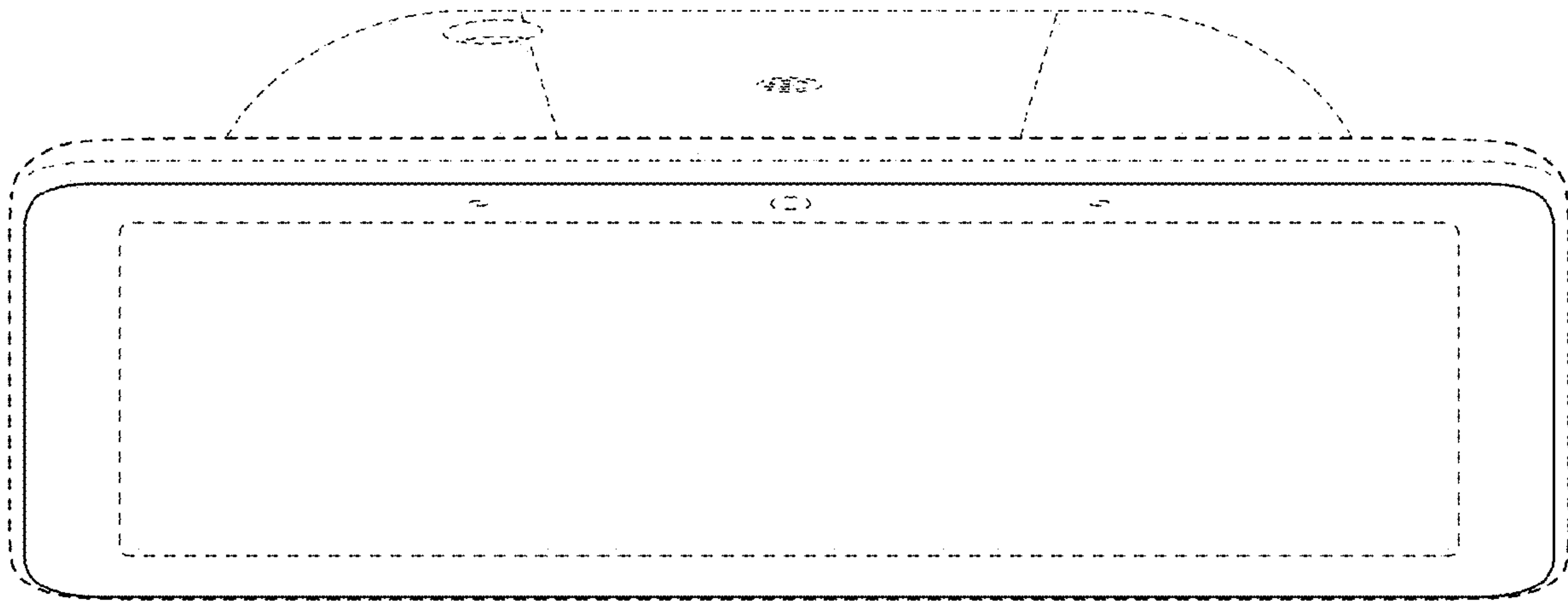


FIG. 6

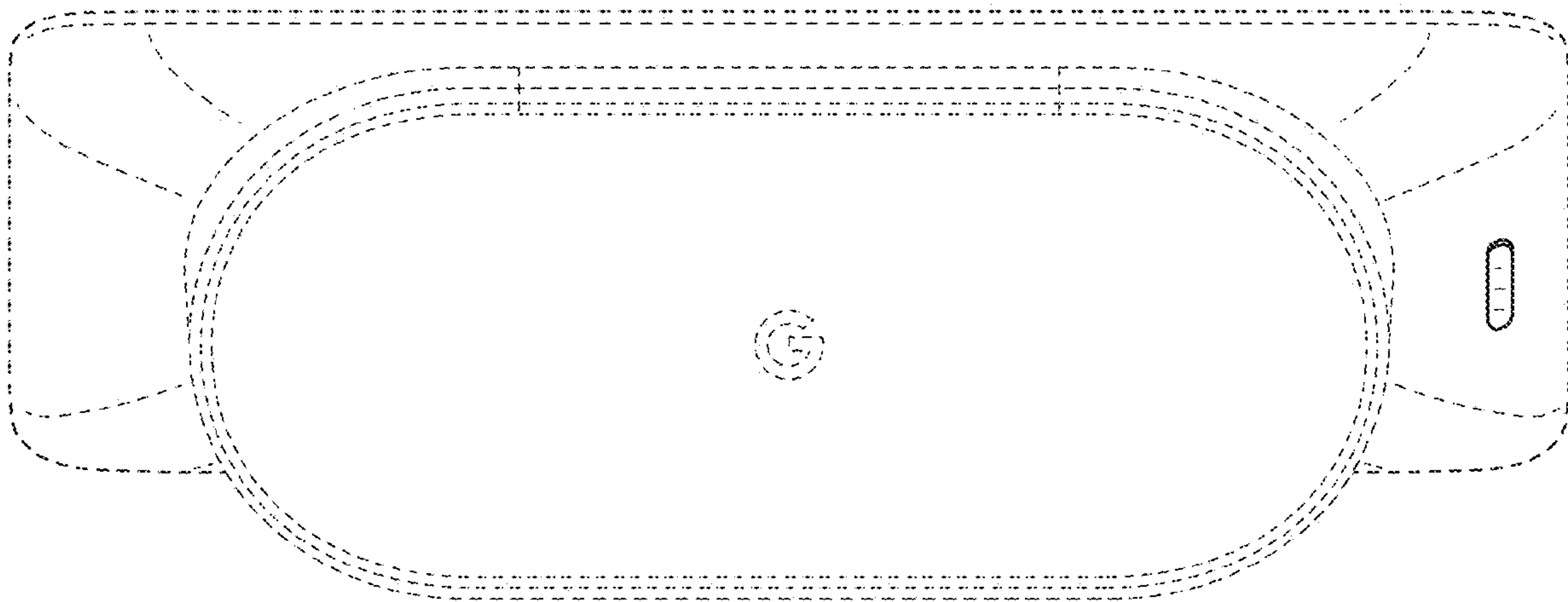


FIG. 7

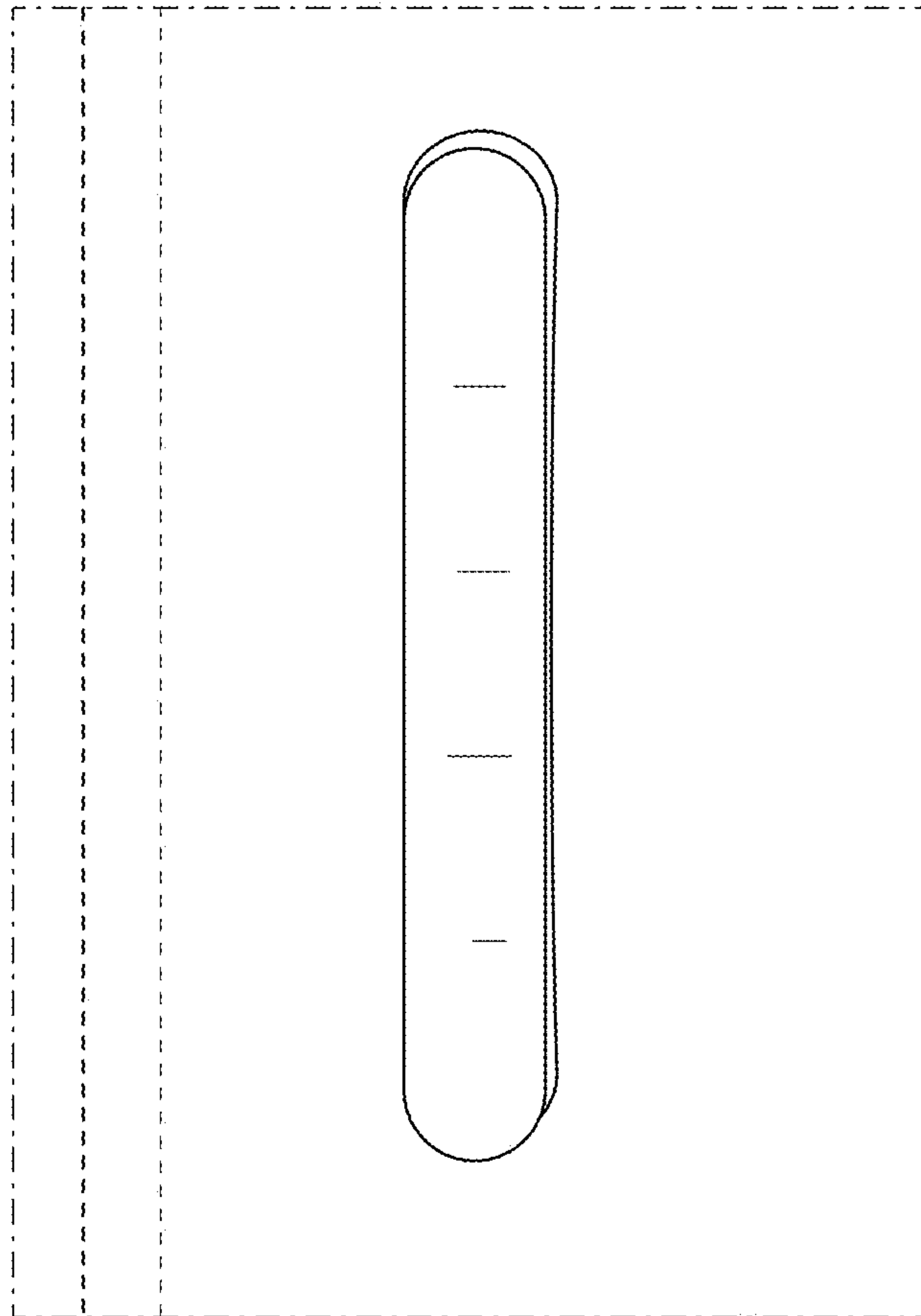


FIG. 8



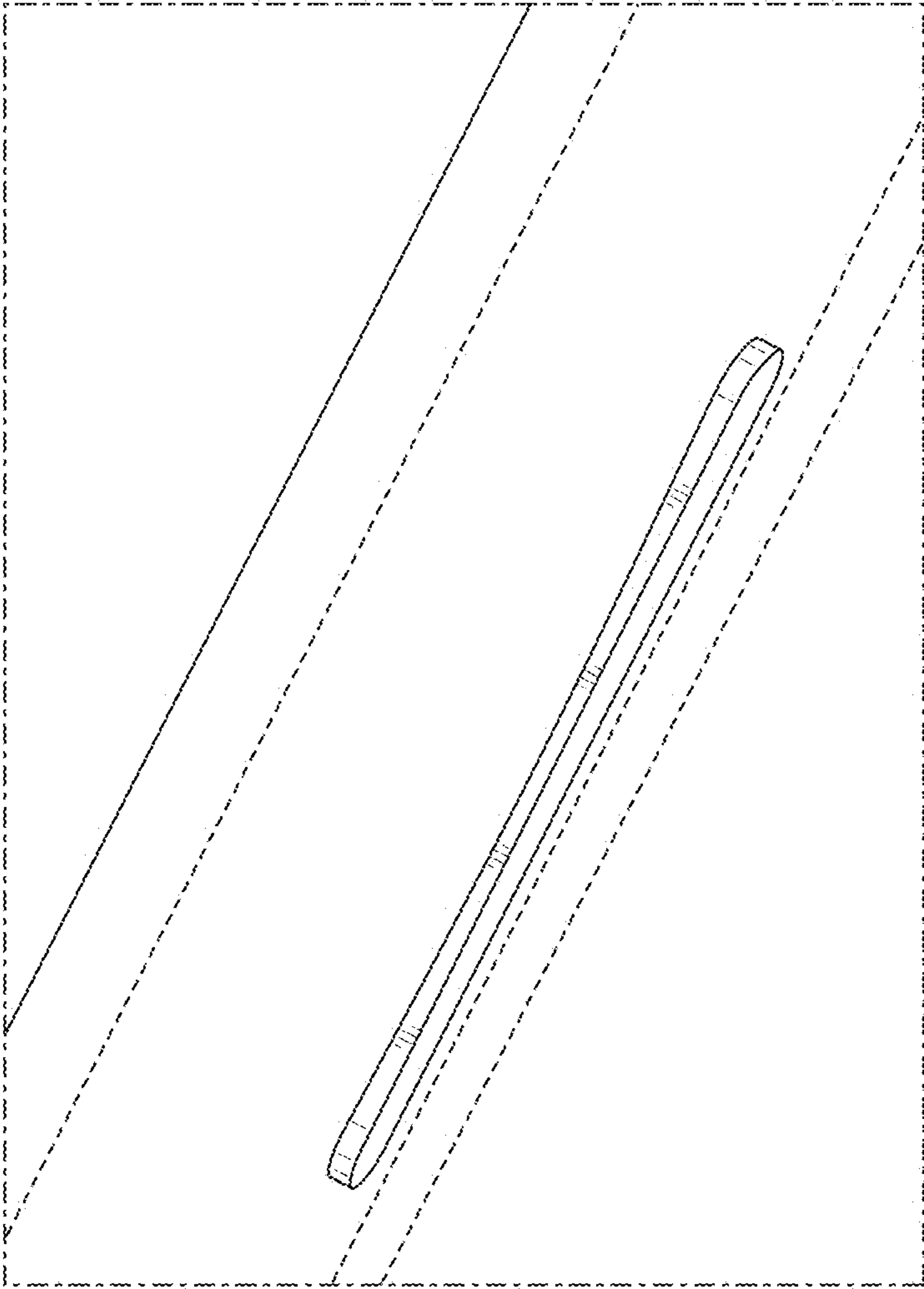


FIG. 9