



US00D951935S

(12) **United States Design Patent**  
**Ushery, Jr. et al.**

(10) **Patent No.:** **US D951,935 S**  
(45) **Date of Patent:** **\*\* May 17, 2022**

(54) **COMMUNICATION CONSOLE**

(71) Applicant: **Hill-Rom Services, Inc.**, Batesville, IN (US)

(72) Inventors: **Gerald Ushery, Jr.**, Raleigh, NC (US); **Theophile Reginald Lerebours**, Cary, NC (US); **Kiana Dezelon**, Cary, NC (US); **Patrice Etchison**, Raleigh, NC (US); **Nelda Johnson**, Cary, NC (US); **Benjamin Howell**, Cary, NC (US)

(73) Assignee: **HILL-ROM SERVICES, INC.**, Batesville, IN (US)

(\*\*) Term: **15 Years**

(21) Appl. No.: **29/794,381**

(22) Filed: **Jun. 11, 2021**

**Related U.S. Application Data**

(63) Continuation of application No. 29/691,116, filed on May 14, 2019, now Pat. No. Des. 925,517.

(51) **LOC (13) Cl.** ..... **14-02**

(52) **U.S. Cl.**  
USPC ..... **D14/307**

(58) **Field of Classification Search**

USPC ..... D14/302-307, 900-902; D13/163; D20/10; D21/332, 325, 369, 370; D99/28; D6/397, 466; 194/206; 361/679.01, 679.02, 679.04, 679.21, 361/679.57, 725  
CPC ..... G06Q 20/18; G06Q 20/10; G06Q 20/123; G06Q 20/20; G06Q 30/02; G06Q 30/06; A47F 9/047

See application file for complete search history.

(56) **References Cited**

**U.S. PATENT DOCUMENTS**

D306,854 S 3/1990 Davis et al.  
D313,595 S \* 1/1991 Morooka ..... D14/144  
D525,963 S \* 8/2006 Yukikado ..... D14/159  
D528,534 S \* 9/2006 Farnsworth ..... D14/159

(Continued)

**FOREIGN PATENT DOCUMENTS**

CN 301397804 12/2010  
EM 004671022-0022 1/2018

(Continued)

**OTHER PUBLICATIONS**

“Ascom Telligence” [online] [retrieved May 15, 2019], retrieved from the internet: <URL: <http://www.ascom.com/products/category/staff-devices/annunciators.html> Dated (2019).

(Continued)

*Primary Examiner* — Austin Murphy

(74) *Attorney, Agent, or Firm* — Alston & Bird LLP

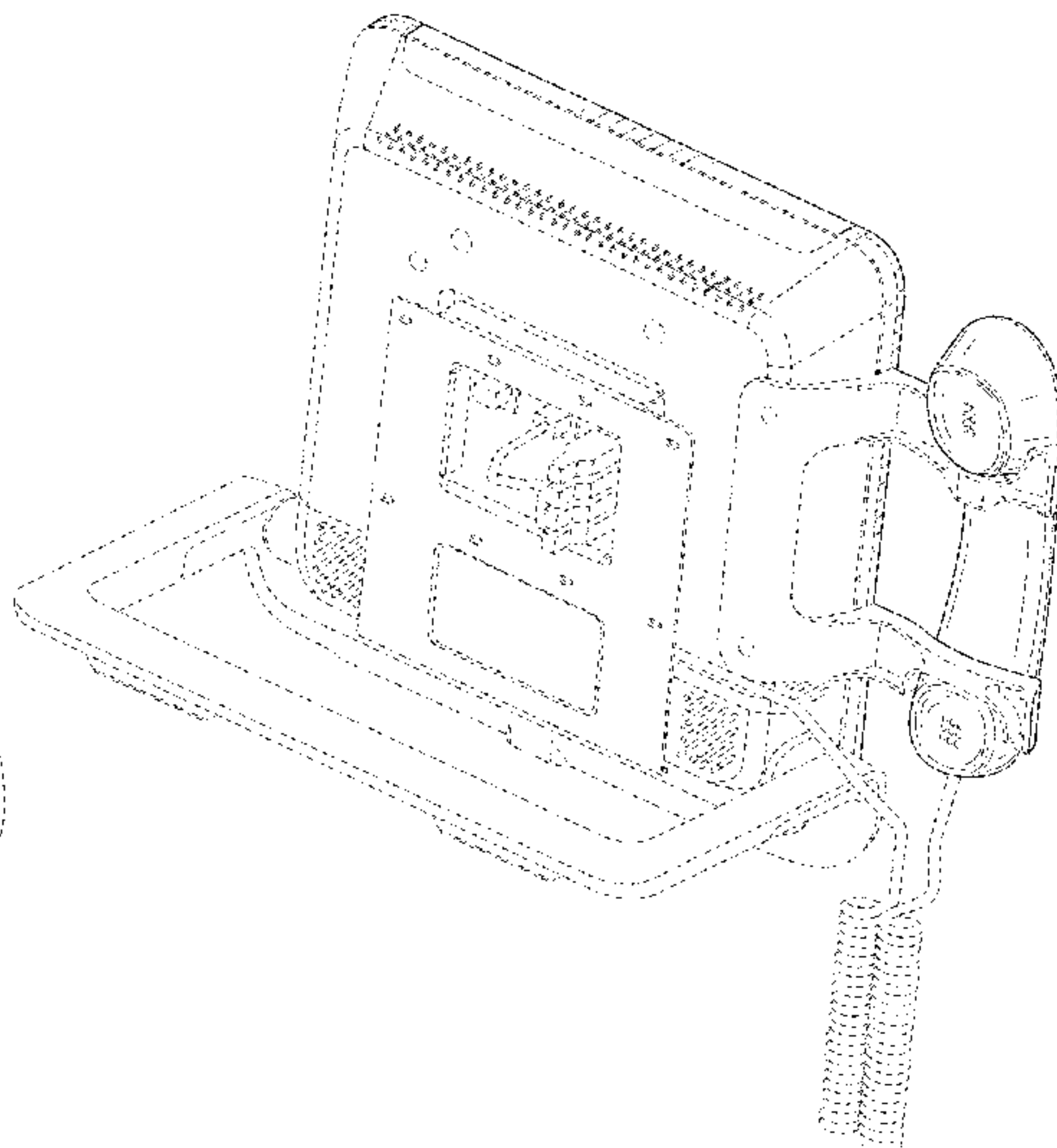
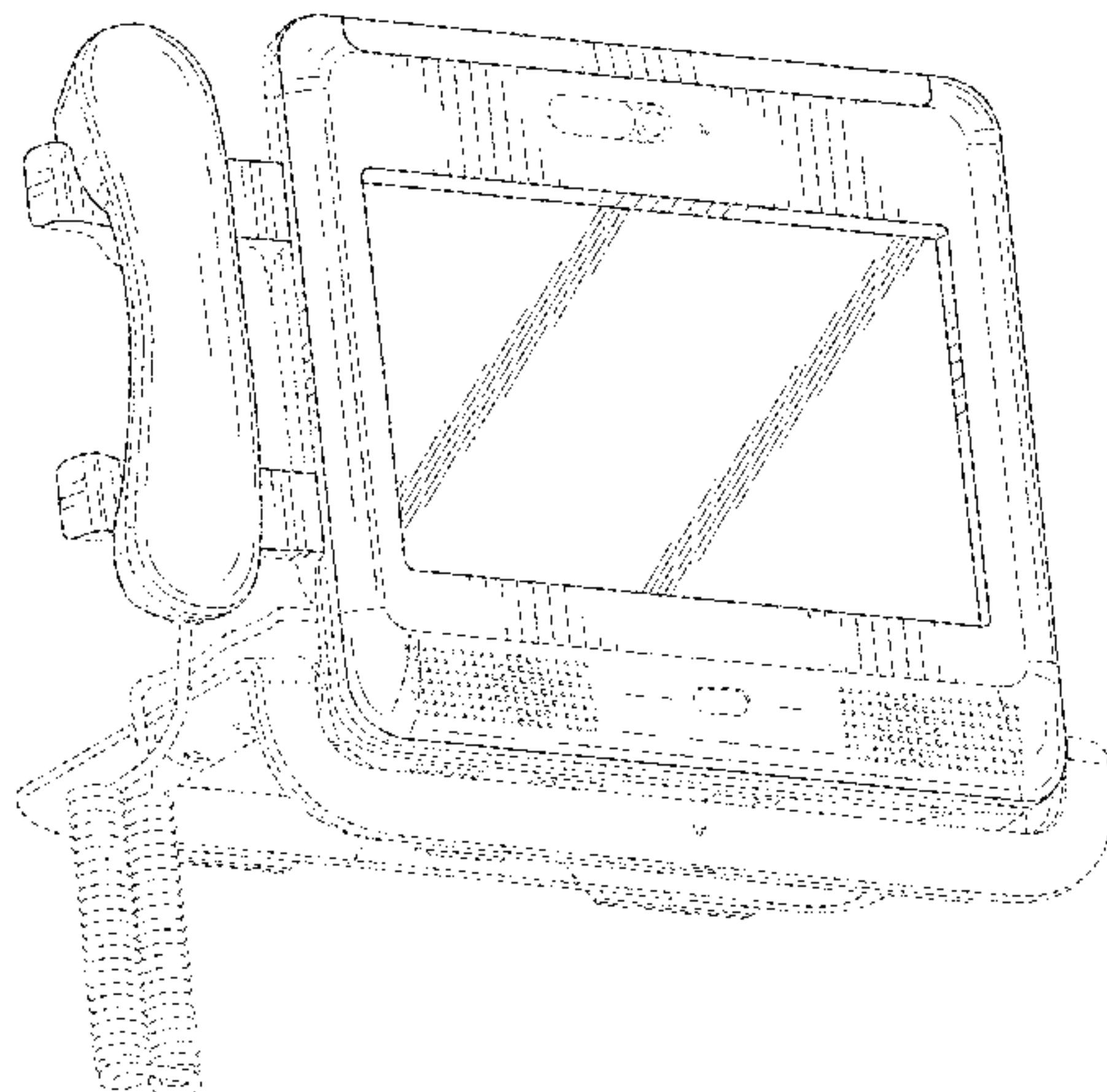
(57) **CLAIM**

We claim the ornamental design for a communication console, as shown and described.

**DESCRIPTION**

FIG. 1 is a perspective view of another embodiment of a communication console showing our new design; FIG. 2 is another perspective view thereof; FIG. 3 is a front elevation view thereof; FIG. 4 is a rear elevation view thereof; FIG. 5 is a right side elevation view thereof; FIG. 6 is a left side elevation view thereof; FIG. 7 is a top plan view thereof; and, FIG. 8 is a bottom plan view thereof. The dash-dot-dash broken lines adjacent shaded areas represent bounds of the claimed design. All other broken lines are directed to unclaimed features and form no part of the claimed design.

**1 Claim, 8 Drawing Sheets**



(56)

**References Cited**

U.S. PATENT DOCUMENTS

D565,044 S 3/2008 Witts et al.  
 D597,062 S \* 7/2009 Lando ..... D14/159  
 7,965,309 B2 6/2011 Mattila et al.  
 D648,312 S \* 11/2011 Lando ..... D14/159  
 D712,396 S 9/2014 Johnson et al.  
 9,298,818 B1 3/2016 Donneau-Golencer et al.  
 9,299,242 B2 3/2016 Schuman et al.  
 D761,754 S \* 7/2016 Michielan ..... D14/159  
 D761,755 S \* 7/2016 Michielan ..... D14/159  
 9,411,934 B2 8/2016 Robinson et al.  
 D829,704 S 10/2018 Oross et al.  
 D842,296 S 3/2019 Oross et al.  
 D853,378 S 7/2019 Vaananen  
 D857,007 S \* 8/2019 Pitallano ..... D14/307  
 D861,778 S 10/2019 Day et al.  
 D864,193 S \* 10/2019 Oosawa ..... D14/307  
 D900,089 S 10/2020 Harris  
 D902,296 S 11/2020 Cathala  
 D912,655 S 3/2021 Ahn et al.  
 D918,193 S \* 5/2021 Fredette ..... D14/307

D925,517 S \* 7/2021 Ushery, Jr. .... D14/307  
 D928,772 S \* 8/2021 Ahn ..... D14/307  
 D932,483 S \* 10/2021 Weldon ..... D14/307  
 2011/0050411 A1 3/2011 Schuman et al.

FOREIGN PATENT DOCUMENTS

JP 5992296 9/2016  
 JP 2018/050740 4/2018  
 MK 2013/00019 12/2013

OTHER PUBLICATIONS

“Captel—2400i Captioned Telephone” [online] [retrieved May 15, 2019], retrieved from the internet: <URL: <http://www.captel.com/captel/phones/captel-2400i/> Dated (2018).  
 “Grandstream—GXV3275” [online] [retrieved May 15, 2019], retrieved from the internet: <URL: <http://www.grandstream.com/products/ip-video-telephony/ip-video-phones-android/product/gxv3275>. Dated (2019).

\* cited by examiner

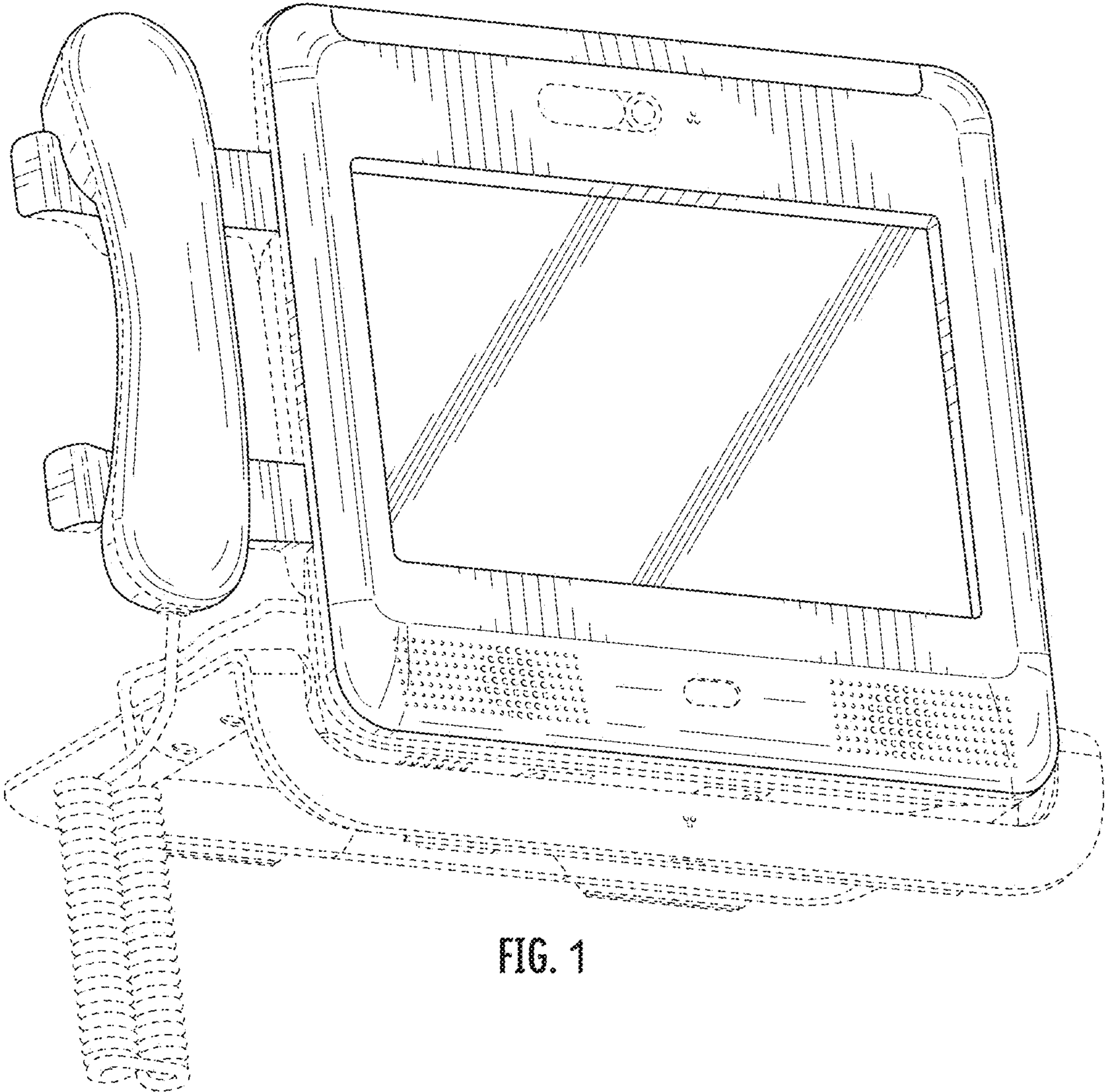


FIG. 1



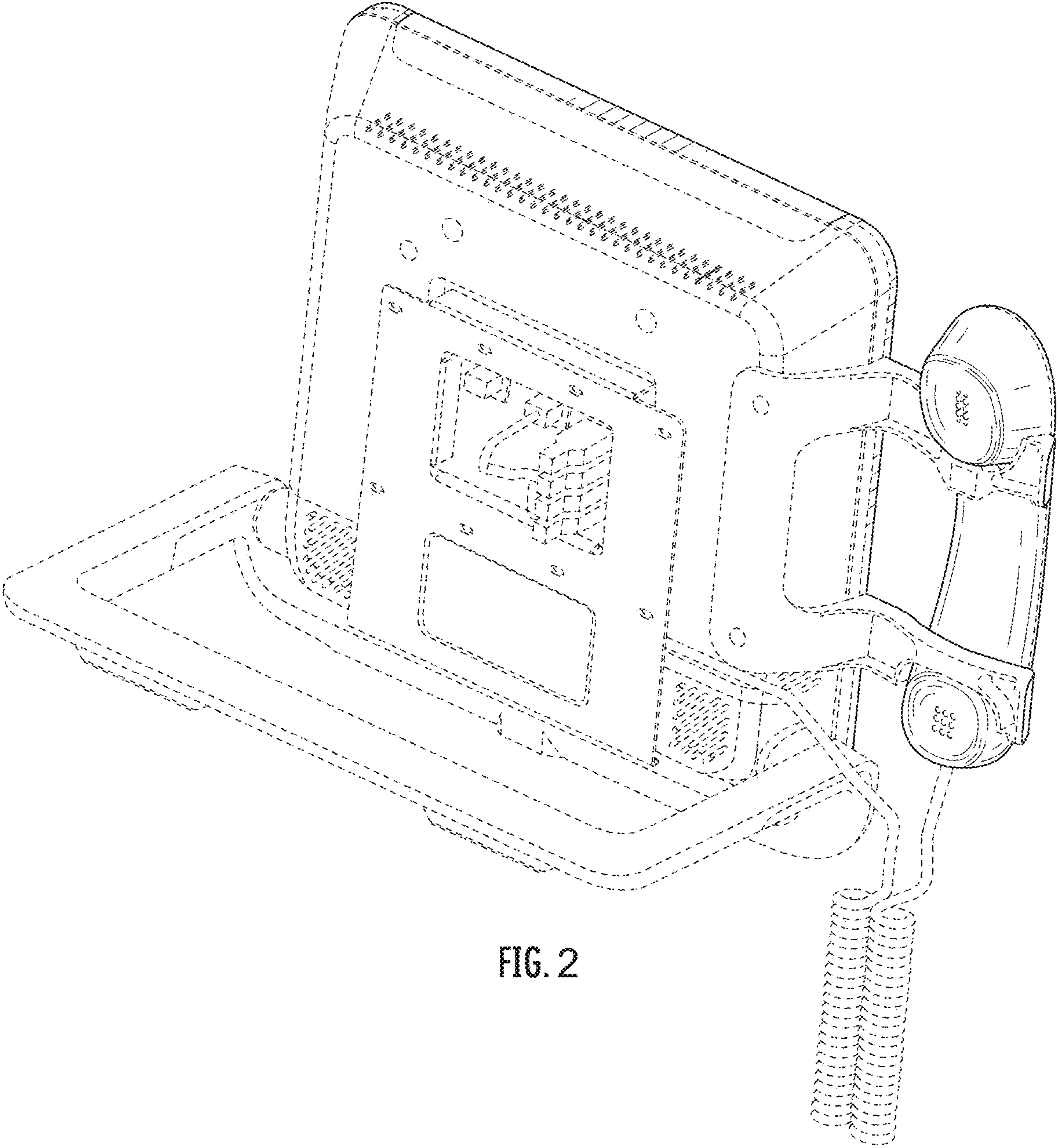
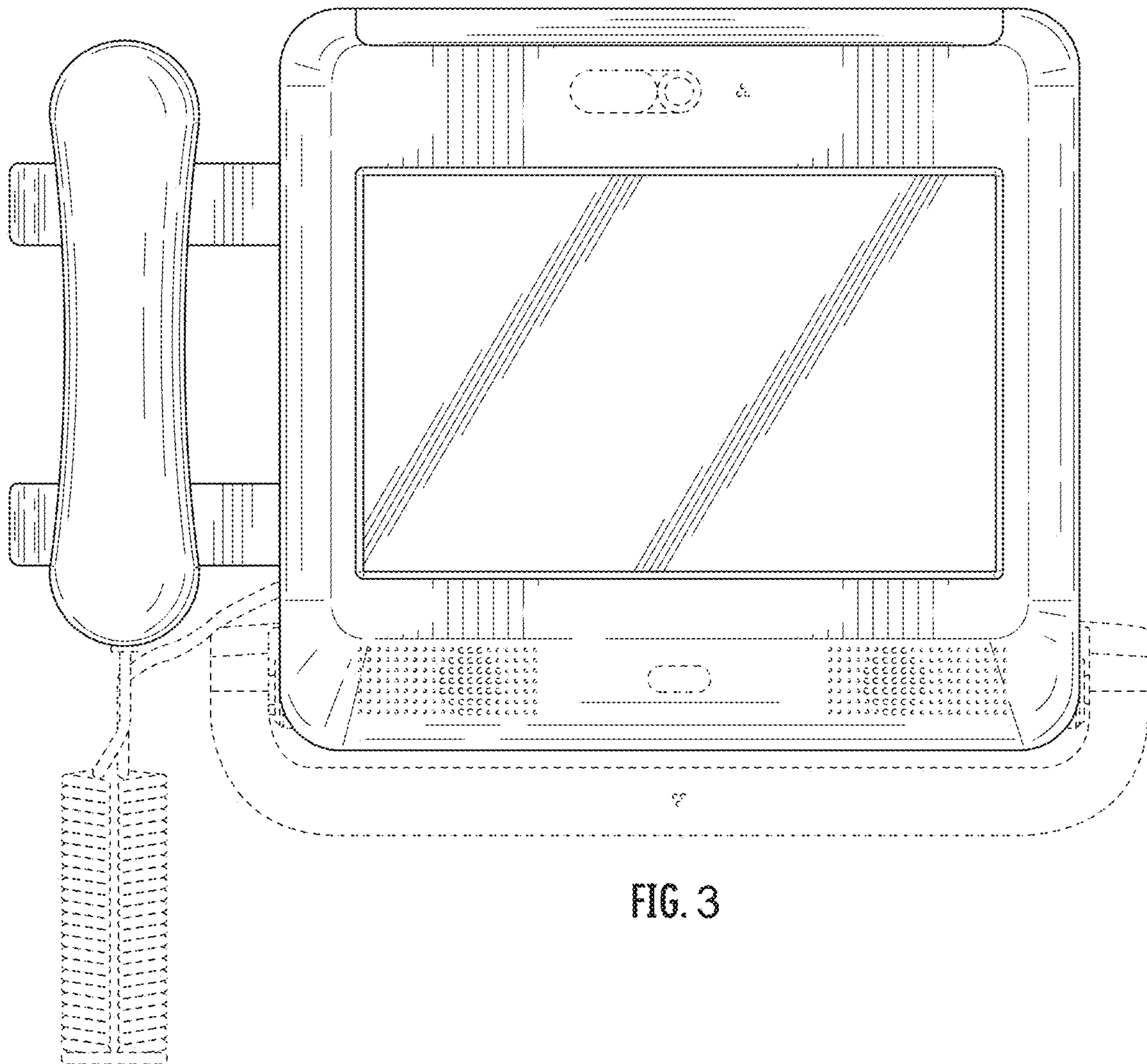
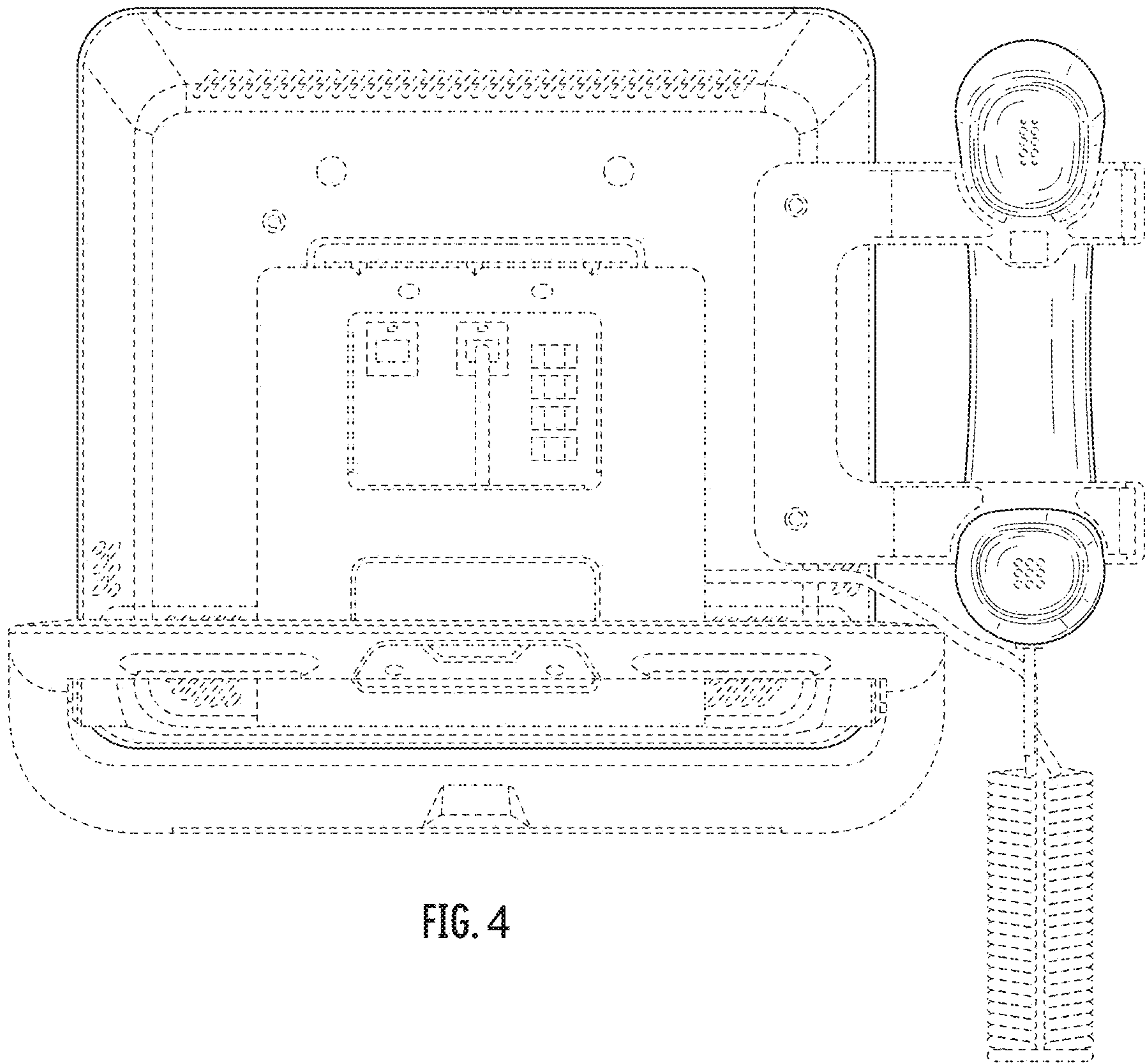


FIG. 2





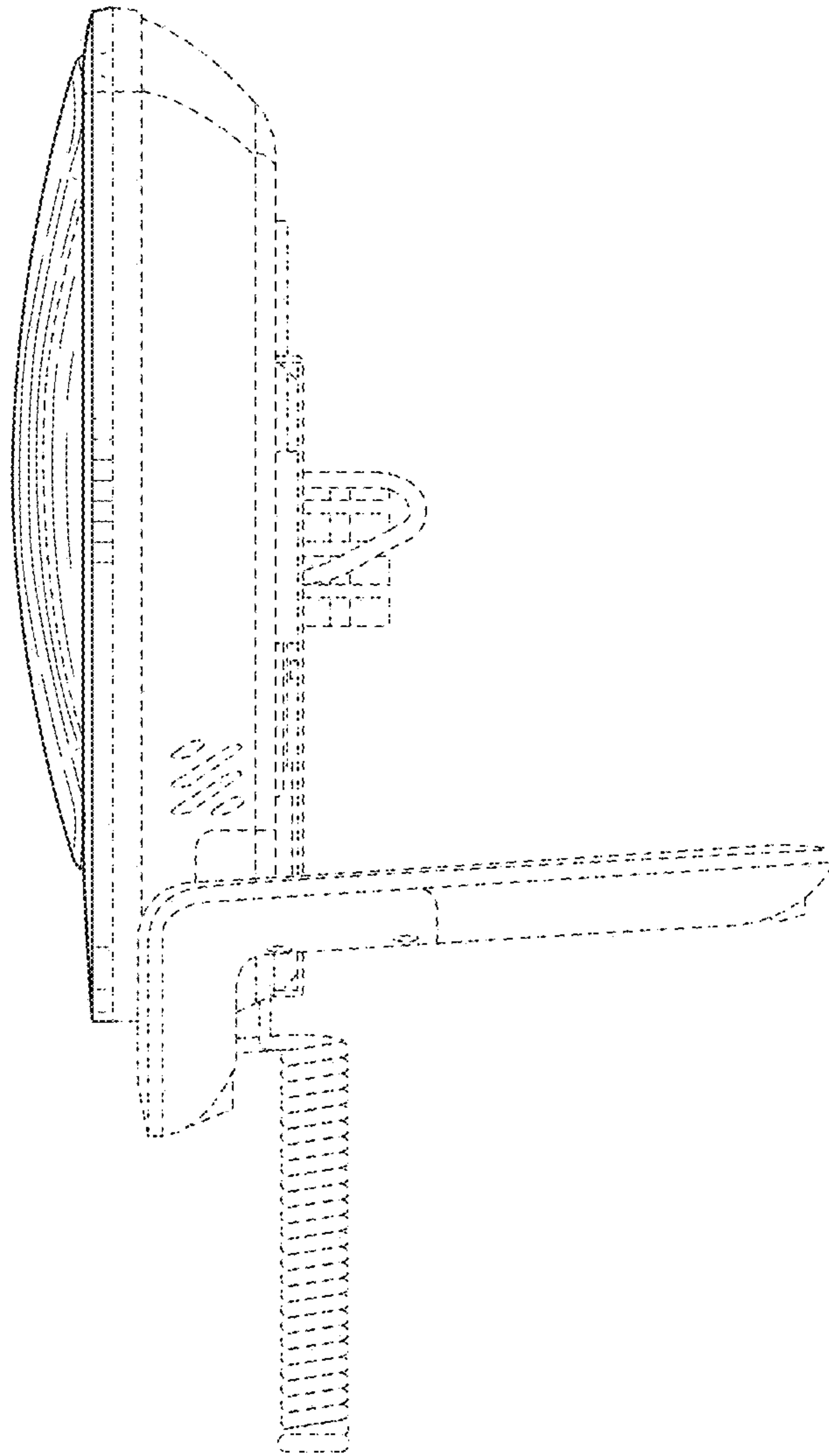


FIG. 5

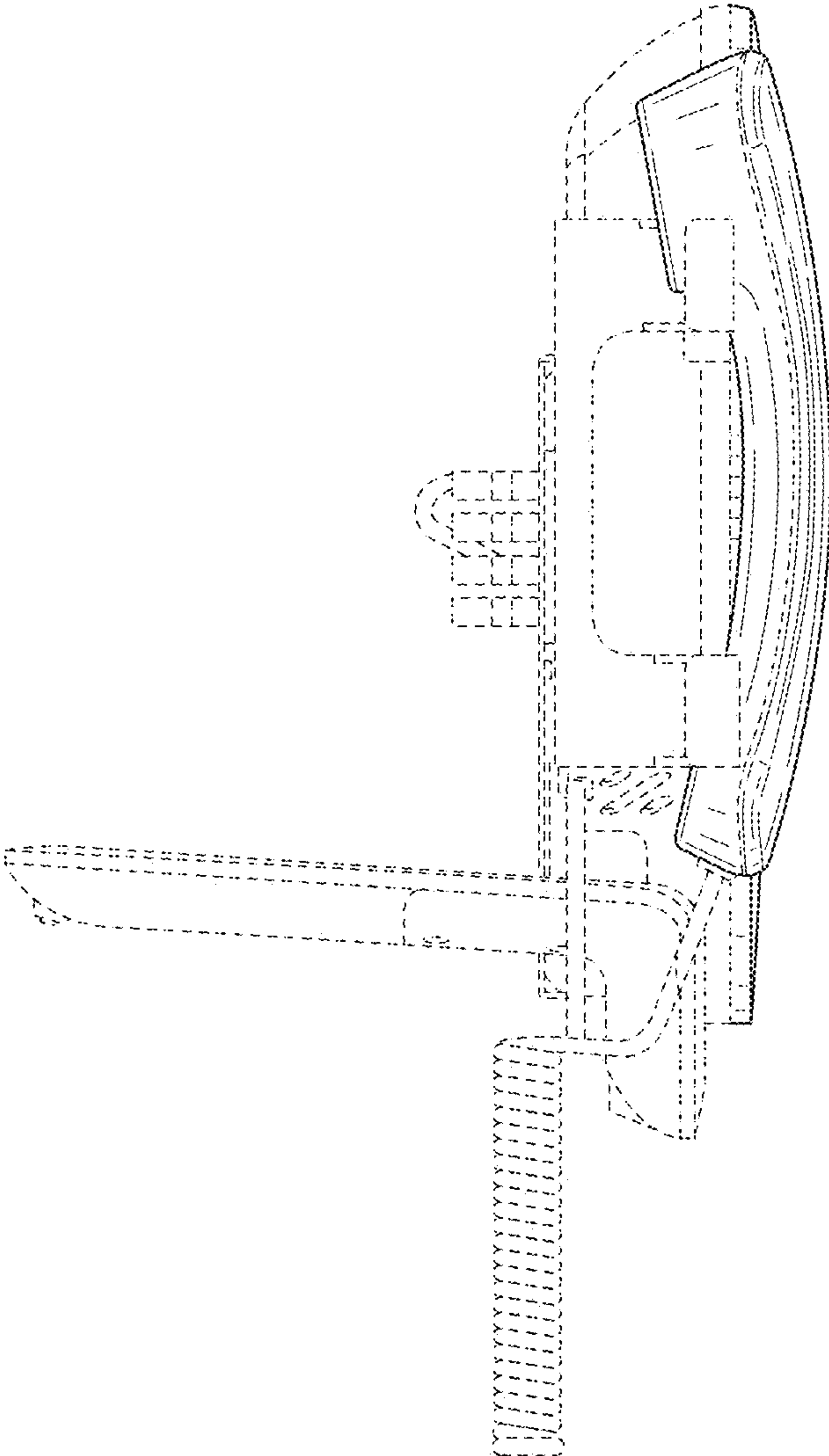


FIG. 6



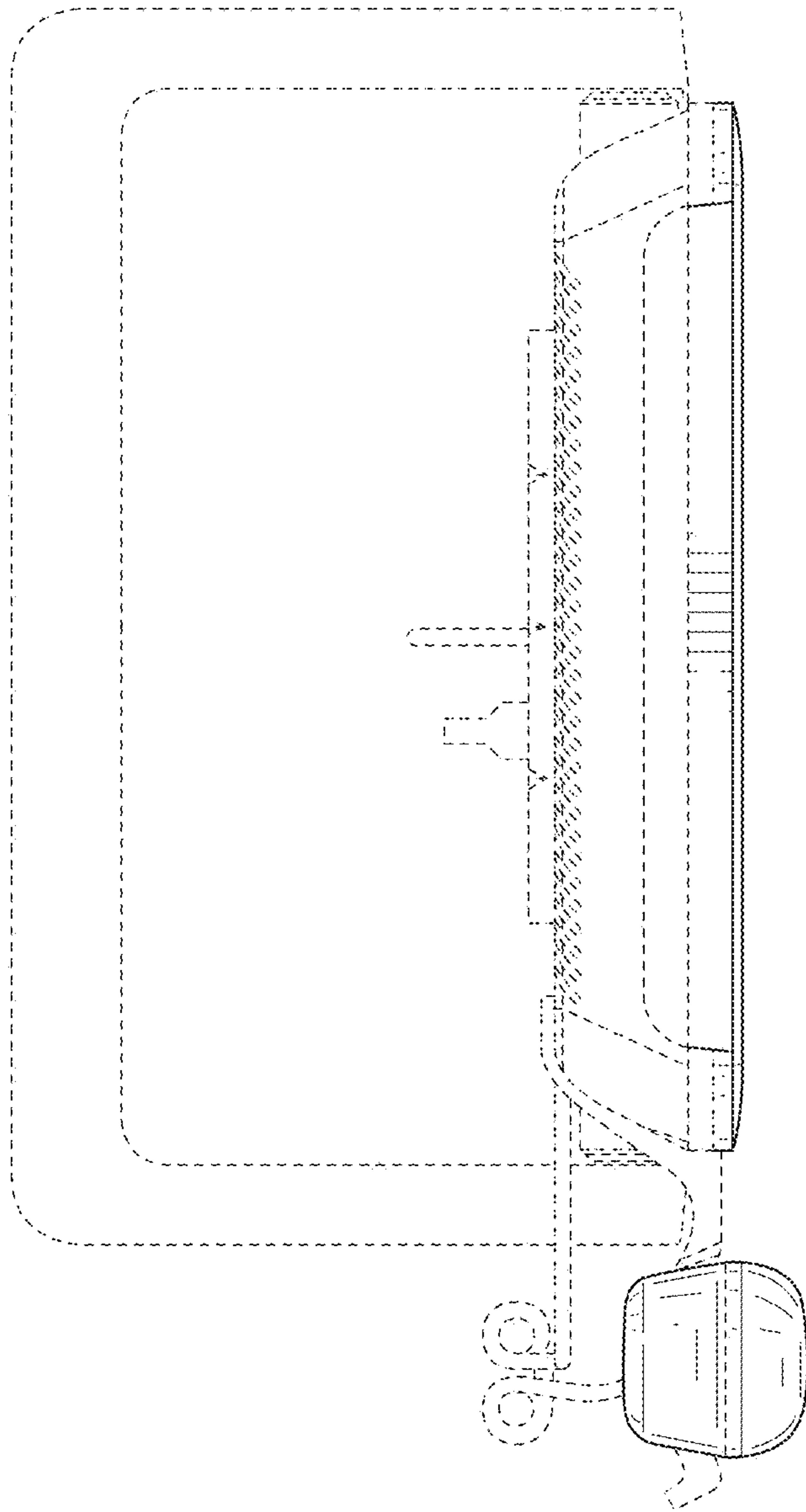


FIG. 7

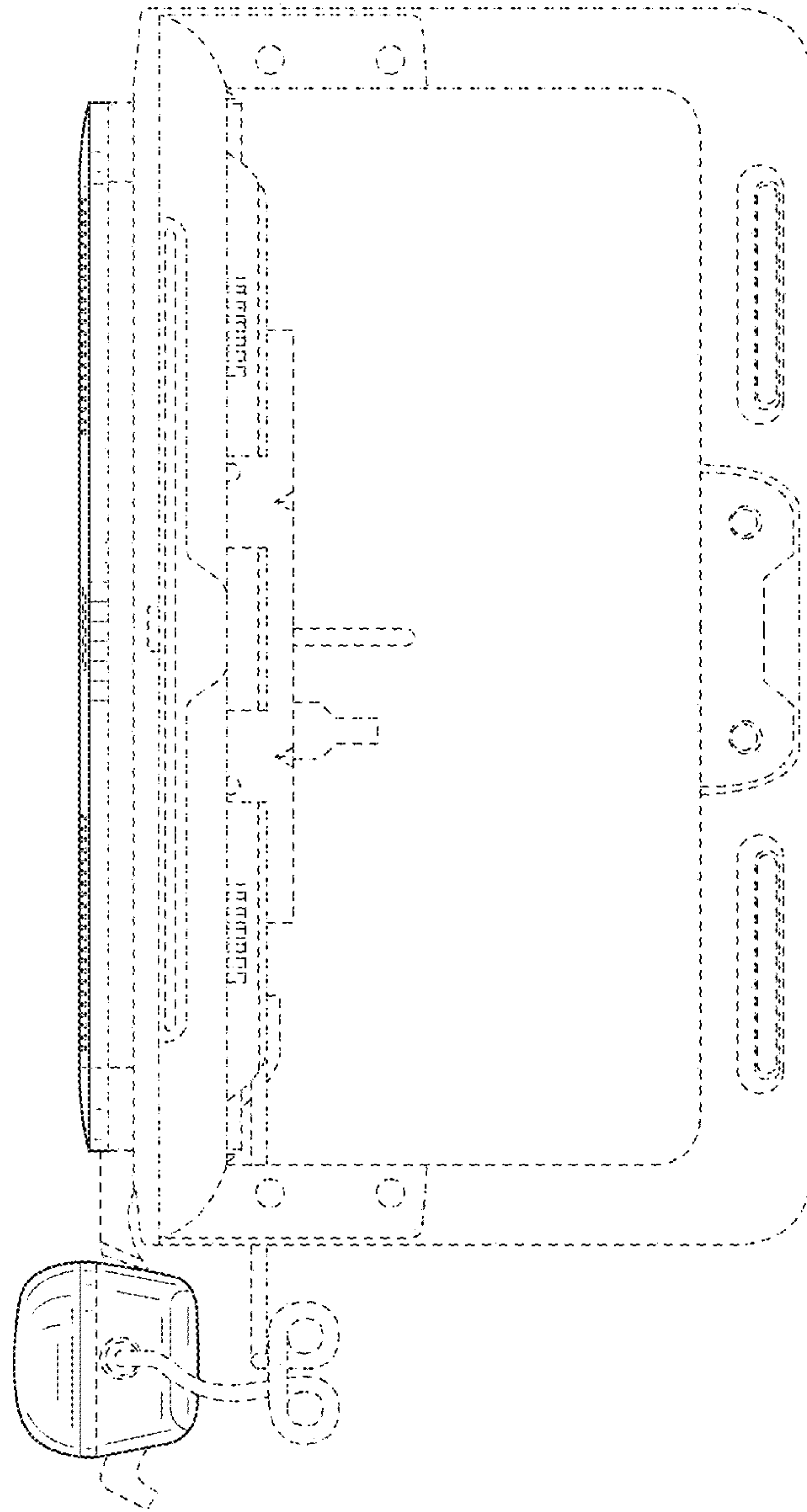


FIG. 8