



US00D951934S

(12) **United States Design Patent**
Swee et al.

(10) **Patent No.:** **US D951,934 S**

(45) **Date of Patent:** **** May 17, 2022**

(54) **KIOSK TERMINAL**

(71) Applicant: **TOSHIBA TEC KABUSHIKI**
KAISHA, Tokyo (JP)

(72) Inventors: **Ong Lee Swee**, Singapore (SG); **Tong**
Wey Shyang, Singapore (SG)

(73) Assignee: **TOSHIBA TEC KABUSHIKI**
KAISHA, Tokyo (JP)

(**) Term: **15 Years**

(21) Appl. No.: **29/740,814**

(22) Filed: **Jul. 7, 2020**

(30) **Foreign Application Priority Data**

Jan. 9, 2020 (JP) 2020-000233

(51) **LOC (13) Cl.** **14-02**

(52) **U.S. Cl.**
USPC **D14/307**

(58) **Field of Classification Search**
USPC D14/302-307, 900-902; D13/163;
D20/10; D21/332, 325, 369, 370;
D99/28; D6/397, 466; 194/206;
361/679.01, 679.02, 679.04, 679.21,
361/679.57, 725

CPC G06Q 20/18; G06Q 20/10; G06Q 20/123;
G06Q 20/20; G06Q 30/02; G06Q 30/06;
A47F 9/047

See application file for complete search history.

(56) **References Cited**

U.S. PATENT DOCUMENTS

D836,625 S * 12/2018 Szeredi D14/307
D864,193 S * 10/2019 Oosawa D14/307

D883,278 S * 5/2020 Yopez D14/307
D888,705 S * 6/2020 Saito D14/307
D902,918 S * 11/2020 Friedli D14/307
D904,394 S * 12/2020 Friedli D14/307
D912,655 S * 3/2021 Ahn D14/307
D922,369 S * 6/2021 Hirvesaar D14/307
D923,094 S * 6/2021 Adams D20/1
D928,141 S * 8/2021 Huang D14/303
D928,772 S * 8/2021 Ahn D14/307
D934,236 S * 10/2021 Giacomini D14/307
D937,823 S * 12/2021 Ahn D14/307

* cited by examiner

Primary Examiner — Austin Murphy

(74) *Attorney, Agent, or Firm* — Foley & Lardner LLP

(57) **CLAIM**

We claim the ornamental design for a kiosk terminal, as shown and described.

DESCRIPTION

FIG. 1 is a front perspective view of a kiosk terminal, in accordance with an embodiment;

FIG. 2 is a front view of the kiosk terminal of FIG. 1;

FIG. 3 is a rear view of the kiosk terminal of FIG. 1;

FIG. 4 is a top view of the kiosk terminal of FIG. 1;

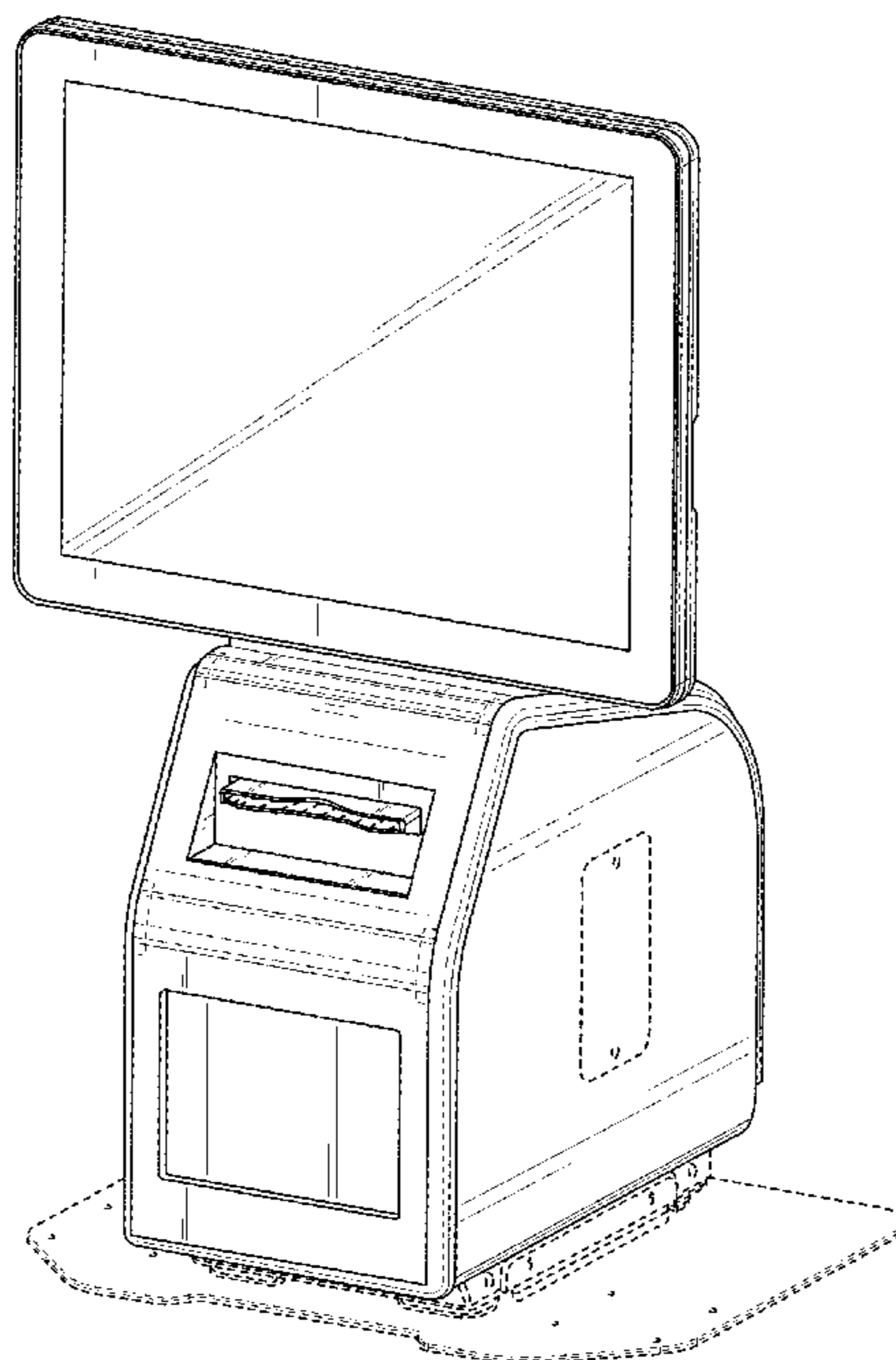
FIG. 5 is a bottom view of the kiosk terminal of FIG. 1;

FIG. 6 is a right side view of the kiosk terminal of FIG. 1; and,

FIG. 7 is a left side view of the kiosk terminal of FIG. 1.

The ornamental design which is claimed is shown in solid lines in the drawings. The broken lines in the drawings are for illustrative purposes only, depict environment subject matter, and form no part of the claimed design.

1 Claim, 7 Drawing Sheets



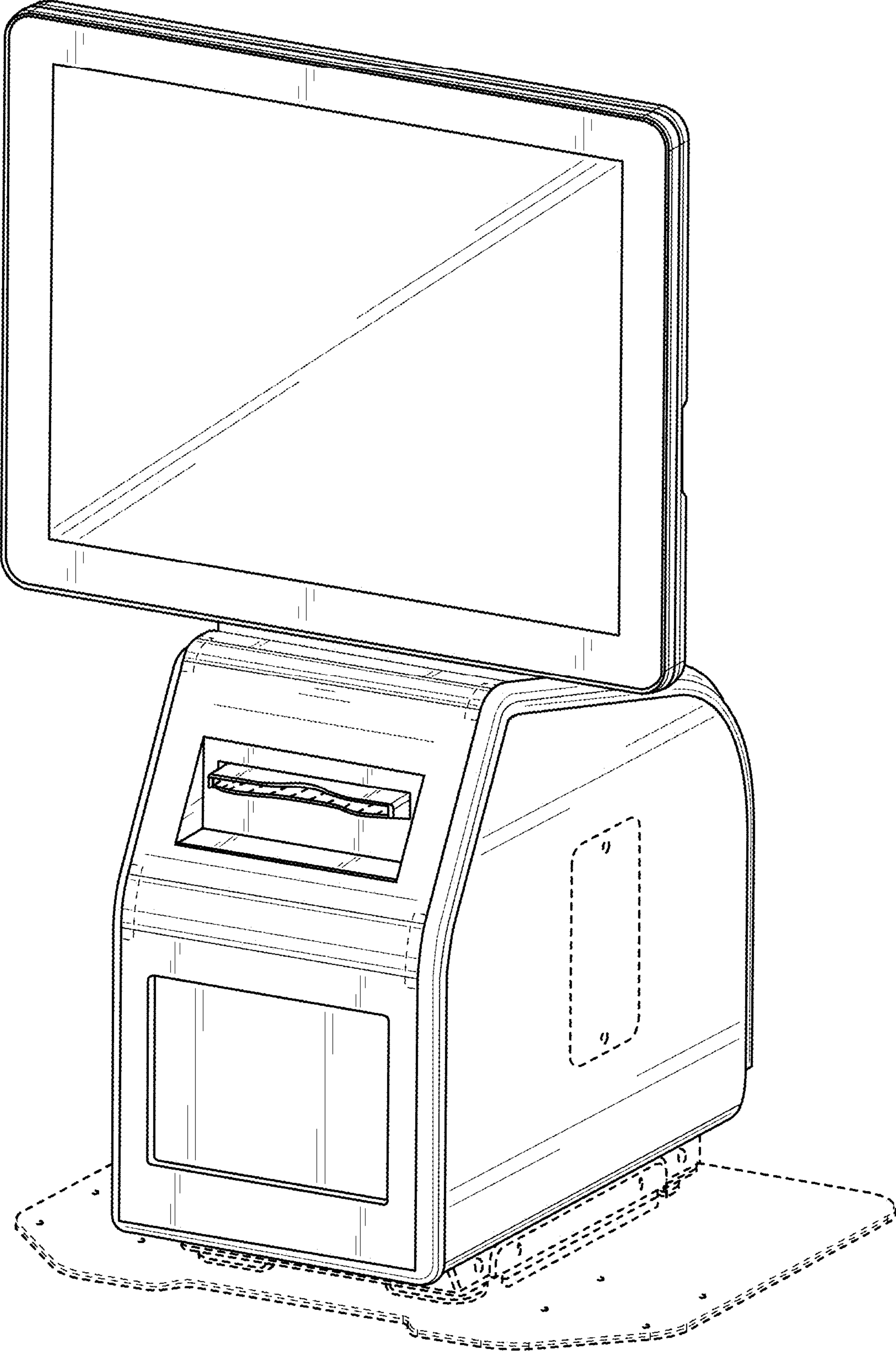


FIG. 1

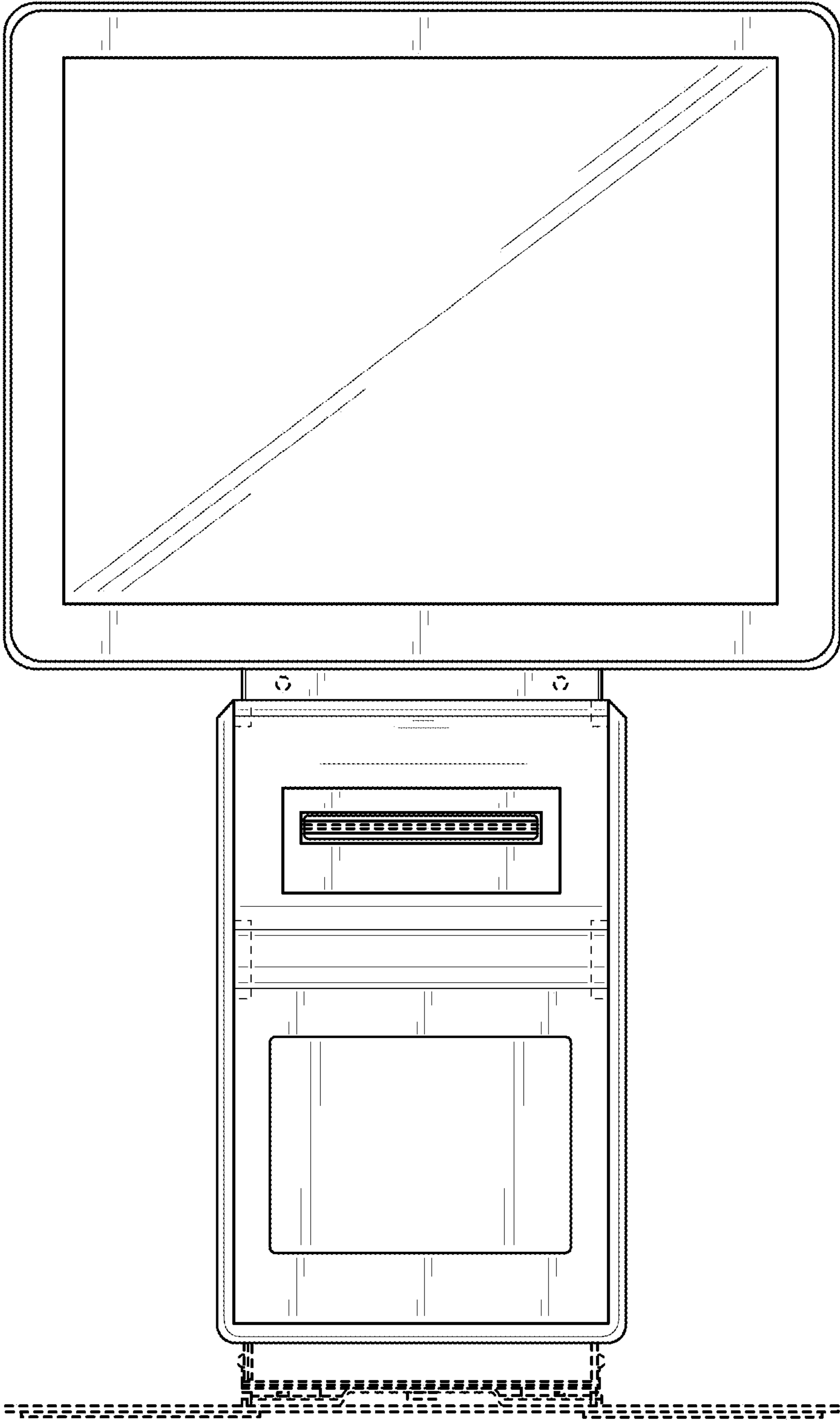


FIG. 2

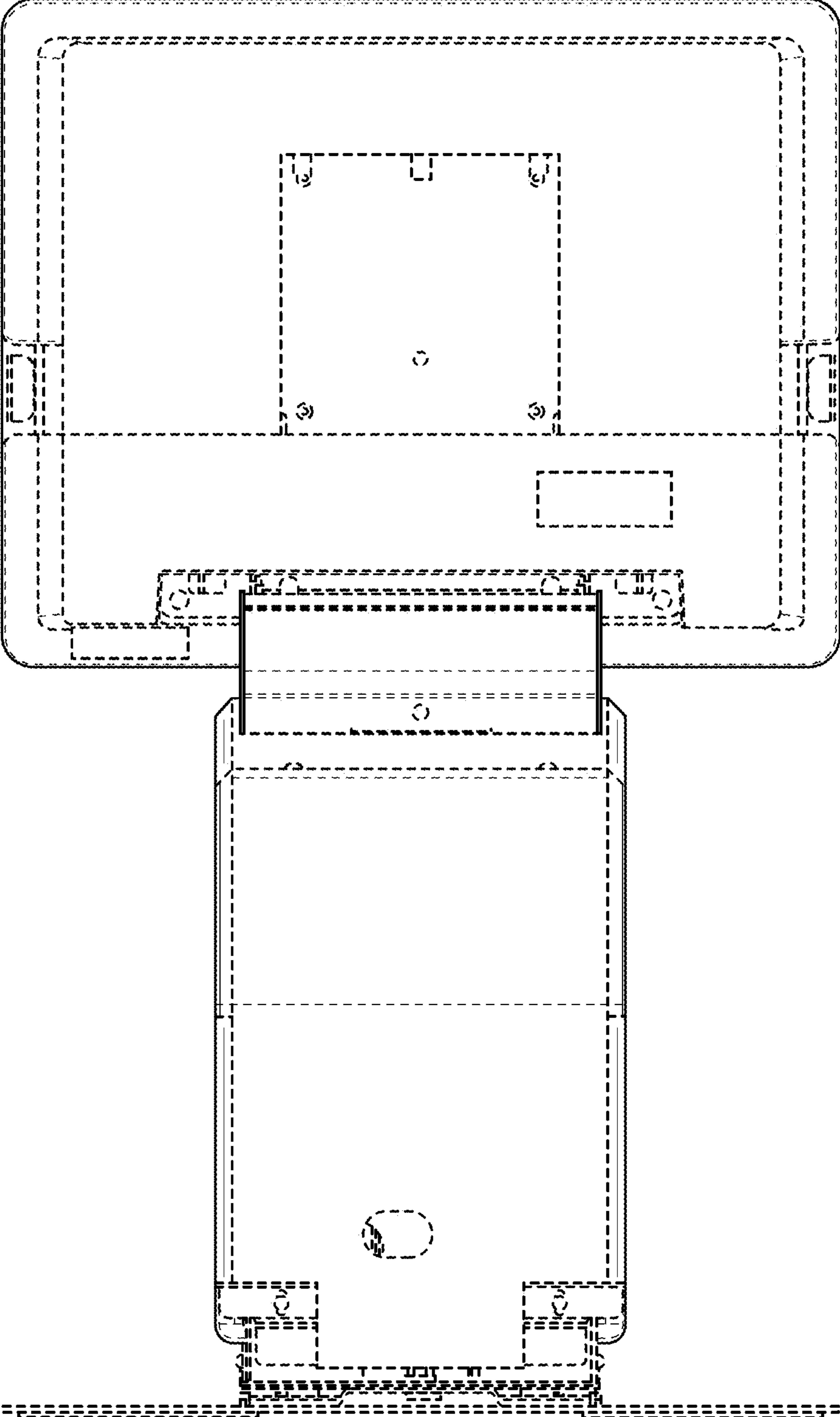


FIG. 3

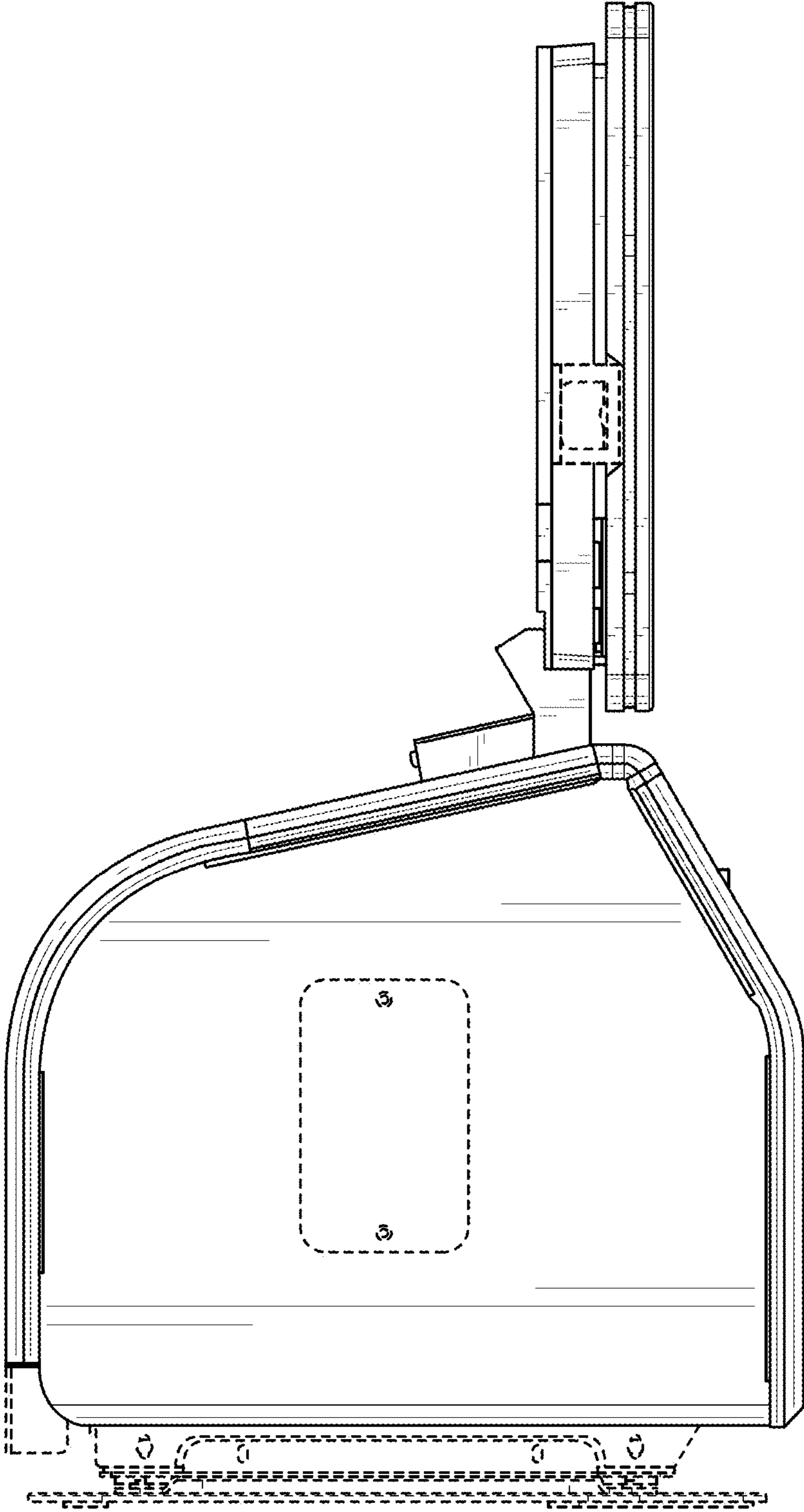


FIG. 4

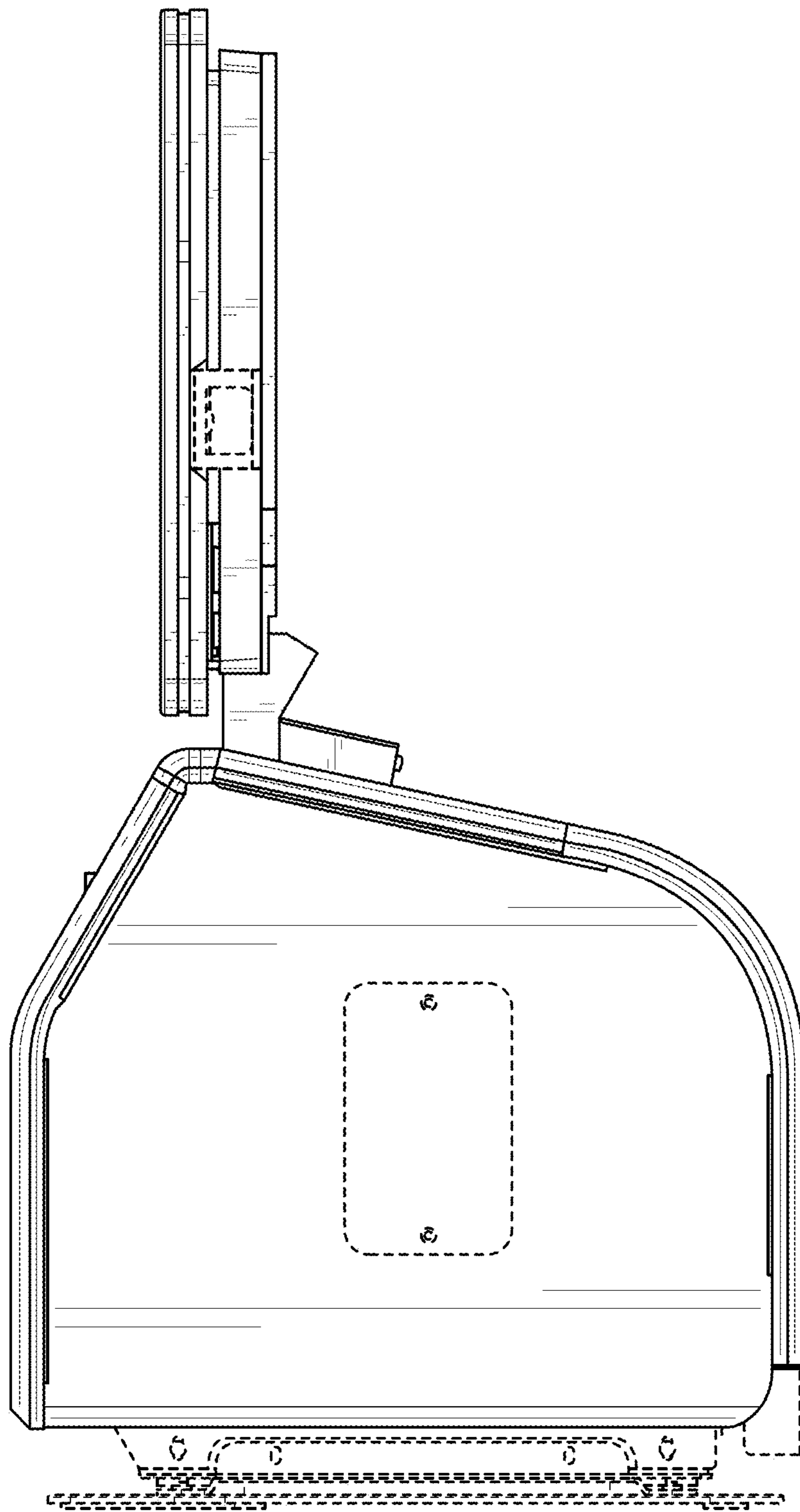


FIG. 5

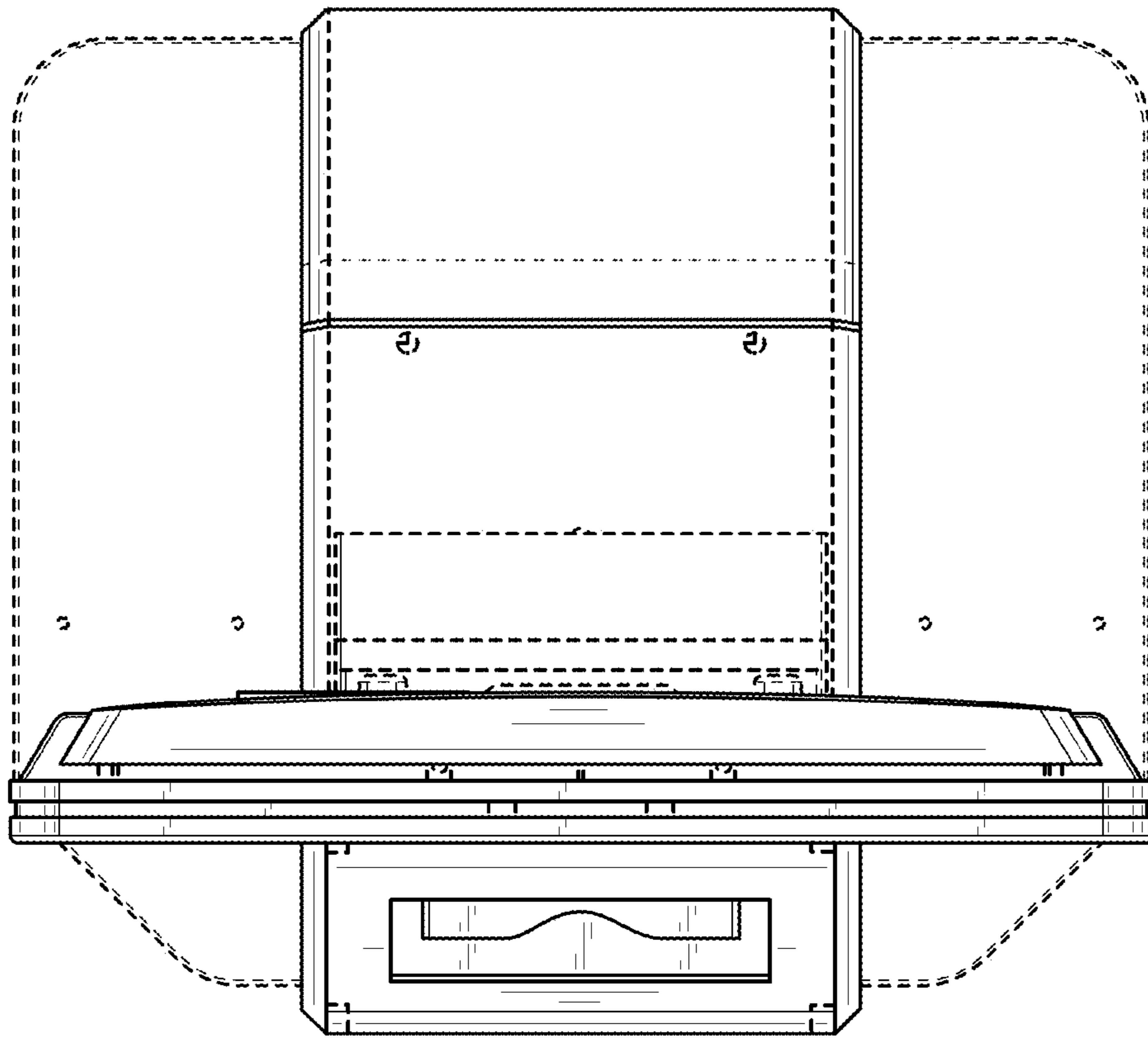


FIG. 6

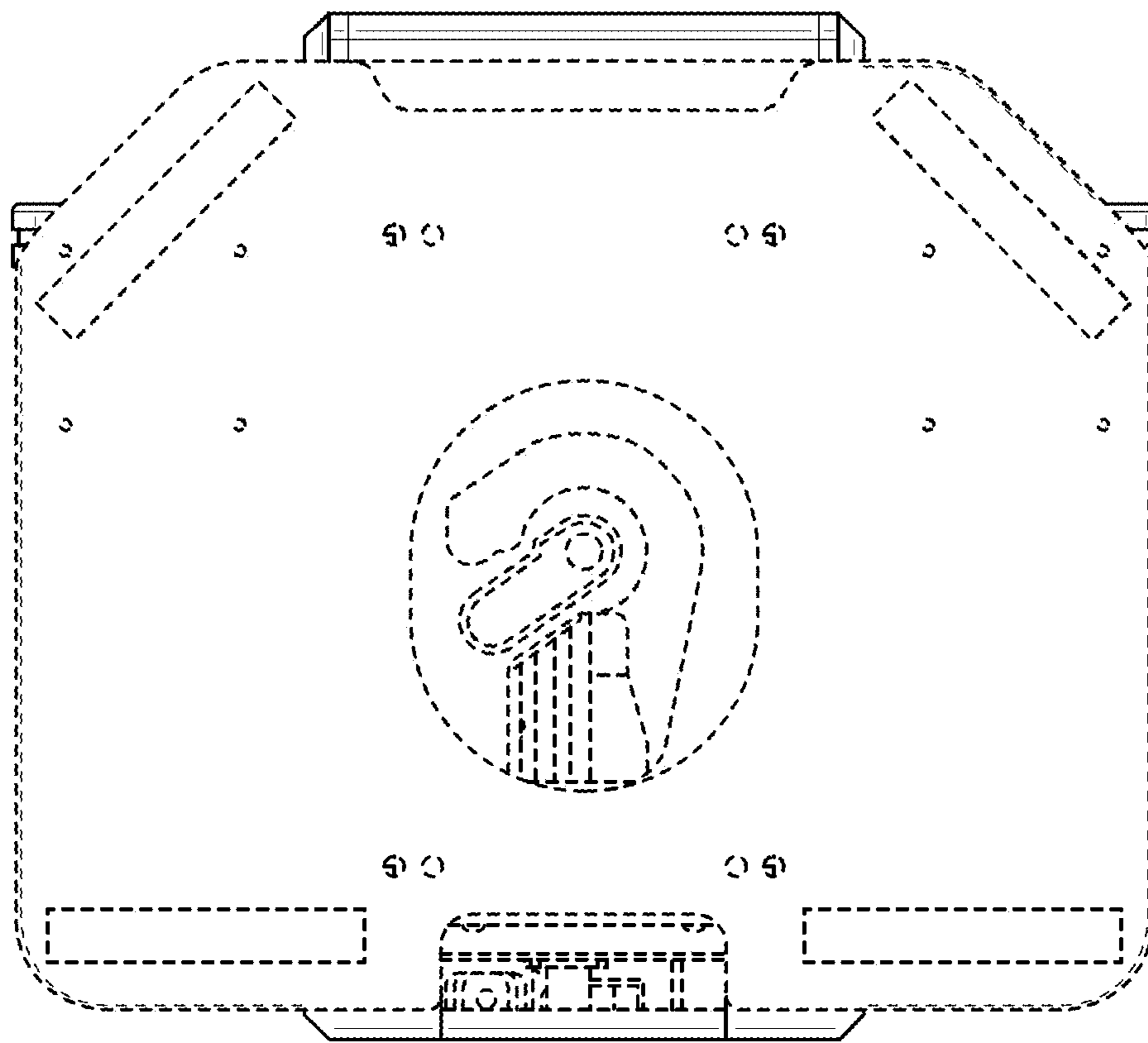


FIG. 7