



US00D951933S

(12) **United States Design Patent**  
**Lee**

(10) **Patent No.:** **US D951,933 S**  
(45) **Date of Patent:** **\*\* May 17, 2022**

(54) **COVER FOR ELECTRONIC DEVICE**

(71) Applicant: **elago CO. LTD**, Goyang-si (KR)

(72) Inventor: **Chanwoo Lee**, Goyang-si (KR)

(73) Assignee: **elago CO. LTD**, Goyang-si (KR)

(\*\*) Term: **15 Years**

(21) Appl. No.: **29/735,465**

(22) Filed: **May 21, 2020**

(51) **LOC (13) Cl.** ..... **14-03**

(52) **U.S. Cl.**  
USPC ..... **D14/250; D14/218; D21/333**

(58) **Field of Classification Search**  
USPC ..... D21/324, 331–337, 566, 572–574, 328;  
D14/217, 218, 250, 356, 387, 388, 389,  
D14/400, 401, 415, 418, 426–431, 443,  
D14/447, 449, 450, 454, 455, 471, 474,  
D14/483, 496, 511; D13/164, 168  
CPC .. A63F 9/02; A63F 9/24; A63F 9/0291; A63F  
9/0252; A63F 13/00; A63F 13/23; A63F  
13/24; A63F 13/26; A63F 13/98; A63F  
13/02; A63F 13/12; A63F 9/00; A63F  
2300/00; A63F 2300/1031  
See application file for complete search history.

(56) **References Cited**  
U.S. PATENT DOCUMENTS

D357,918 S *	5/1995	Doria	.....	D14/218
D610,807 S *	3/2010	Bau	.....	D3/269
D638,006 S *	5/2011	Chang	.....	D14/250
D683,340 S *	5/2013	Chang	.....	D14/250
D706,255 S *	6/2014	Akana	.....	D14/250
D716,281 S *	10/2014	Melanson	.....	D14/250
D716,284 S *	10/2014	Melanson	.....	D14/250
D720,342 S *	12/2014	Starrett	.....	D14/401
D739,394 S *	9/2015	Rayner	.....	D14/250
D744,471 S *	12/2015	Fitzgerald	.....	D14/250

D756,344 S *	5/2016	Roberts	.....	D14/250
D756,978 S *	5/2016	Addonisio	.....	D14/250
D775,615 S *	1/2017	Tien	.....	D14/250
D784,975 S *	4/2017	Ballou	.....	D14/250
D786,233 S *	5/2017	Kim	.....	D14/250
D787,490 S *	5/2017	Akana	.....	D14/250
D794,625 S *	8/2017	Armstrong	.....	D14/440
D809,496 S *	2/2018	Kim	.....	D14/250
D812,600 S *	3/2018	Altaras	.....	D14/250
9,989,999 B2 *	6/2018	Yturralde	.....	G06F 1/1628
D837,194 S *	1/2019	Roberts	.....	D14/250
D837,771 S *	1/2019	Yun	.....	D14/250
D863,278 S *	10/2019	Ravid	.....	D14/250
D865,739 S *	11/2019	Altschul	.....	D14/250
D868,052 S *	11/2019	Jia	.....	D14/250
D875,089 S *	2/2020	Hemesath	.....	D14/250
D875,725 S *	2/2020	Hintermann	.....	D14/250
D879,760 S *	3/2020	Altschul	.....	D14/250

(Continued)

*Primary Examiner* — Mehri F Bajoul  
(74) *Attorney, Agent, or Firm* — Paratus Law Group, PLLC

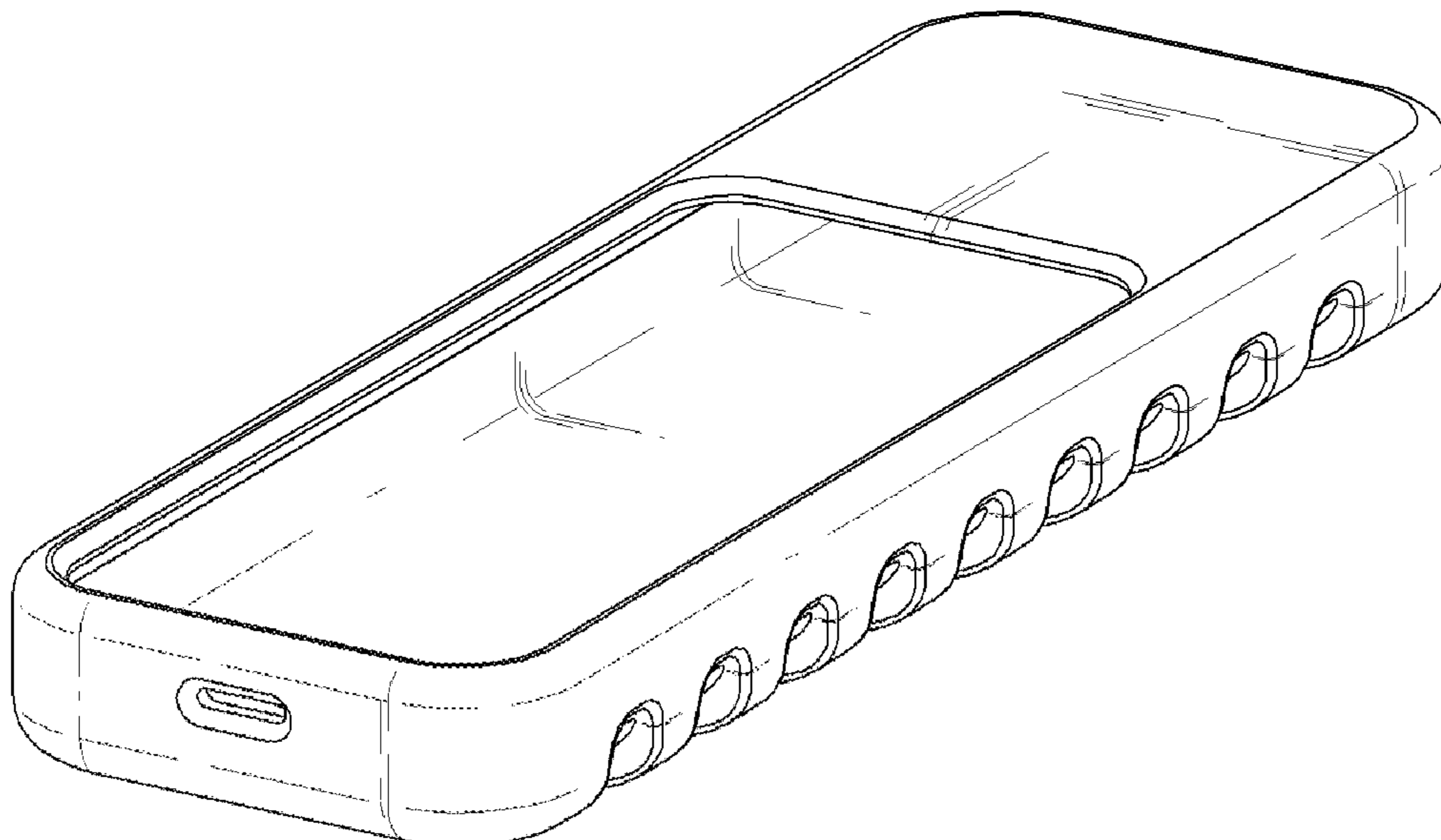
(57) **CLAIM**

The ornamental design for a cover for electronic device, as shown and described.

**DESCRIPTION**

FIG. 1 is a front, top, and left sides perspective view of a cover for electronic device, showing my new design;  
FIG. 2 is a front view thereof;  
FIG. 3 is a back view thereof;  
FIG. 4 is a left-side view thereof;  
FIG. 5 is a right-side view thereof;  
FIG. 6 is a top view thereof;  
FIG. 7 is a bottom view thereof;  
FIG. 8 is a front top right perspective view thereof;  
FIG. 9 is a front top right perspective view thereof; and,  
FIG. 10 is another front, top, and left sides perspective view thereof.

**1 Claim, 3 Drawing Sheets**



(56)

**References Cited**

U.S. PATENT DOCUMENTS

D883,269 S \* 5/2020 Akana ..... D14/250  
D903,320 S \* 12/2020 Lee ..... D3/302  
D908,686 S \* 1/2021 Lee ..... D14/250  
D908,801 S \* 1/2021 Lee ..... D21/333  
D912,035 S \* 3/2021 Lee ..... D14/250  
D913,270 S \* 3/2021 Lee ..... D14/250  
D924,863 S \* 7/2021 Wright ..... D14/250  
D932,478 S \* 10/2021 Zhou ..... D14/250  
D936,659 S \* 11/2021 Li ..... D14/440  
D938,406 S \* 12/2021 Li ..... D14/250  
D938,948 S \* 12/2021 Luo ..... D14/250  
D939,475 S \* 12/2021 Lee ..... D14/218  
D944,238 S \* 2/2022 Morgan ..... D14/250  
2011/0159324 A1 \* 6/2011 Huang ..... H02J 7/0044  
429/7  
2016/0021996 A1 \* 1/2016 Tien ..... B65D 81/053  
224/191

\* cited by examiner

FIG. 1

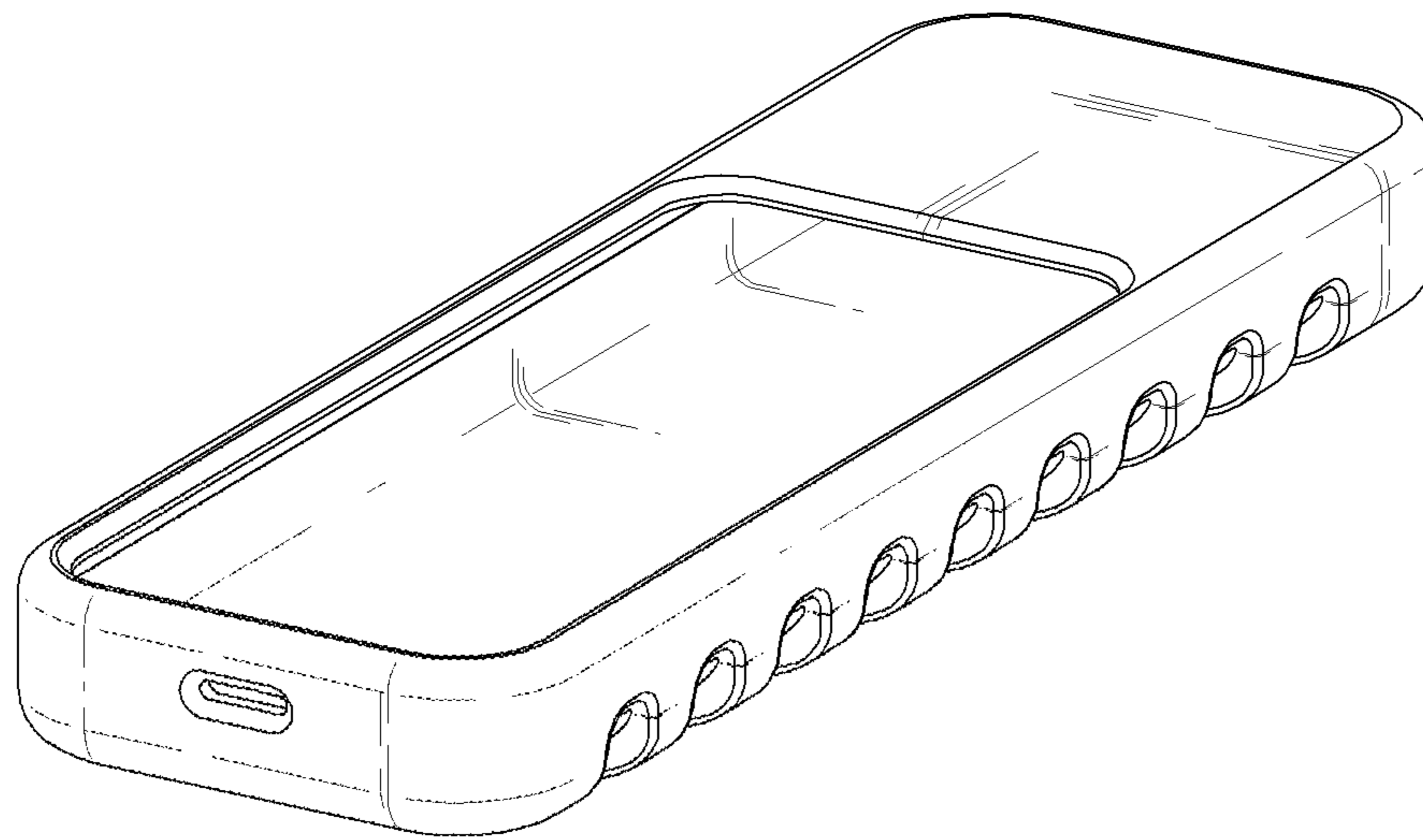


FIG. 2



FIG. 3

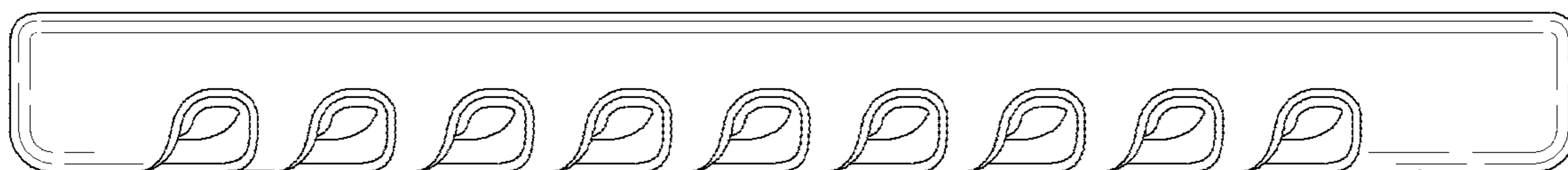


FIG. 4

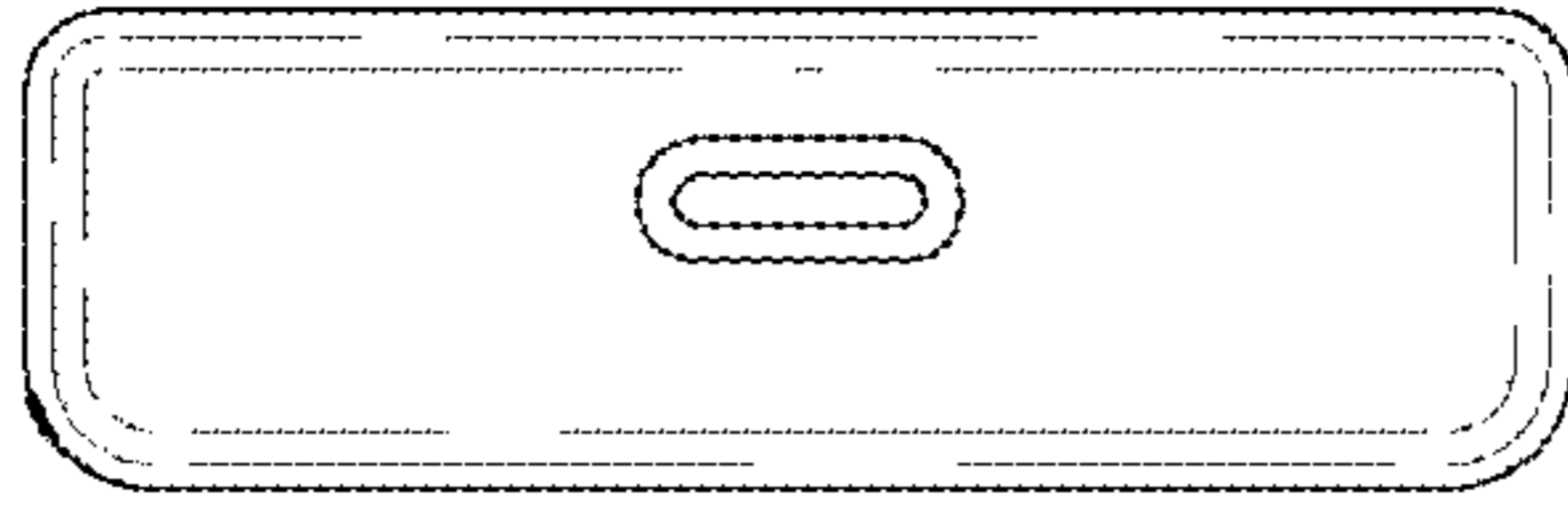


FIG. 5

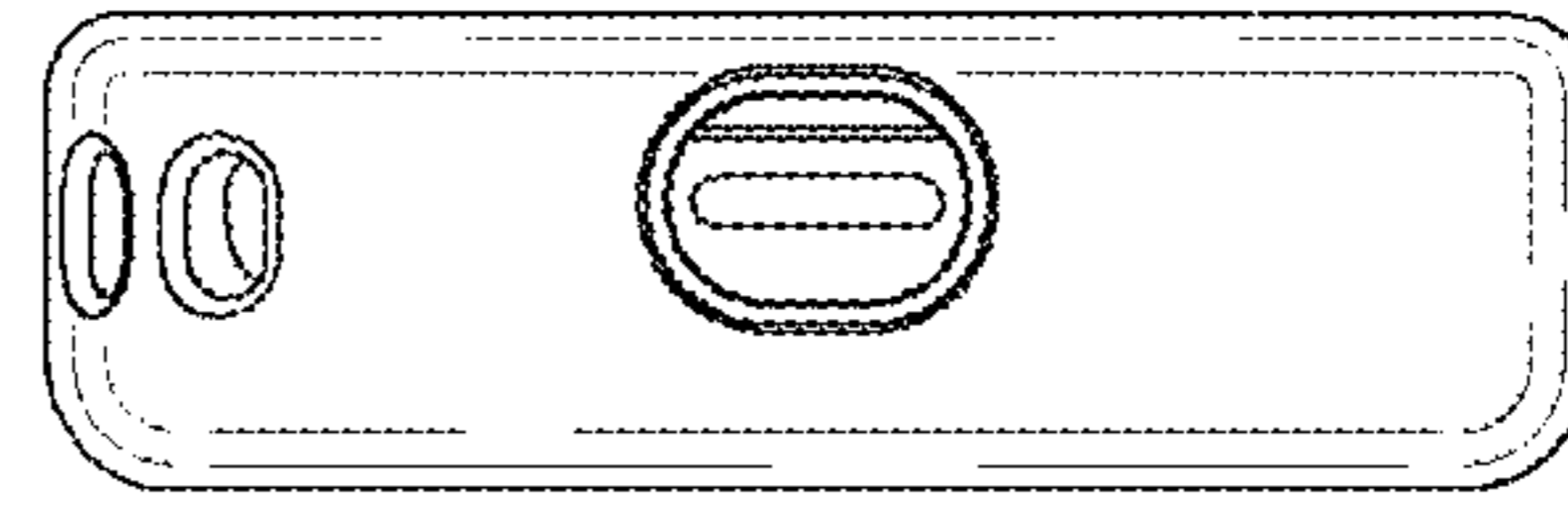


FIG. 6

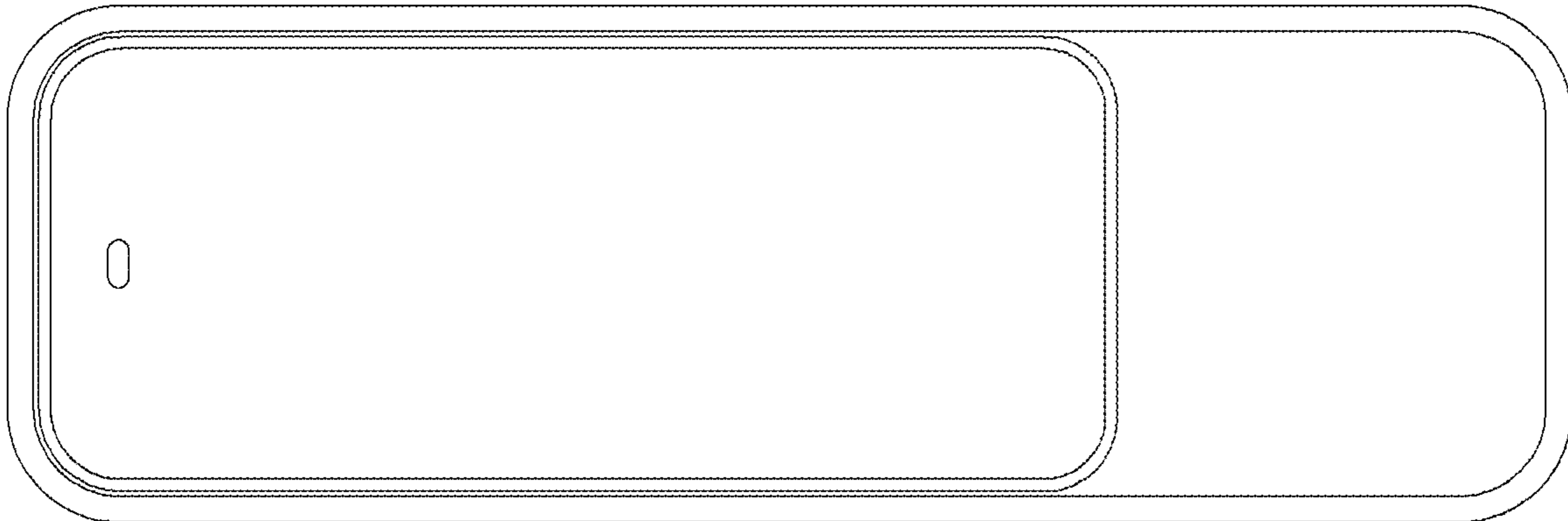


FIG. 7

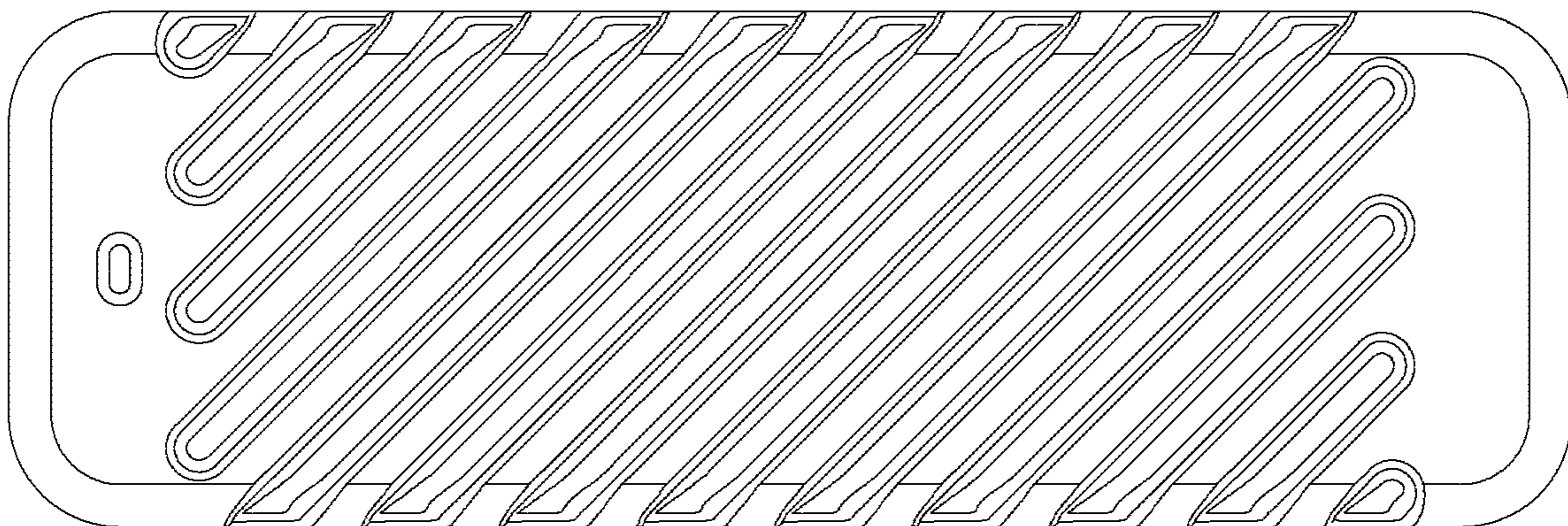


FIG. 8

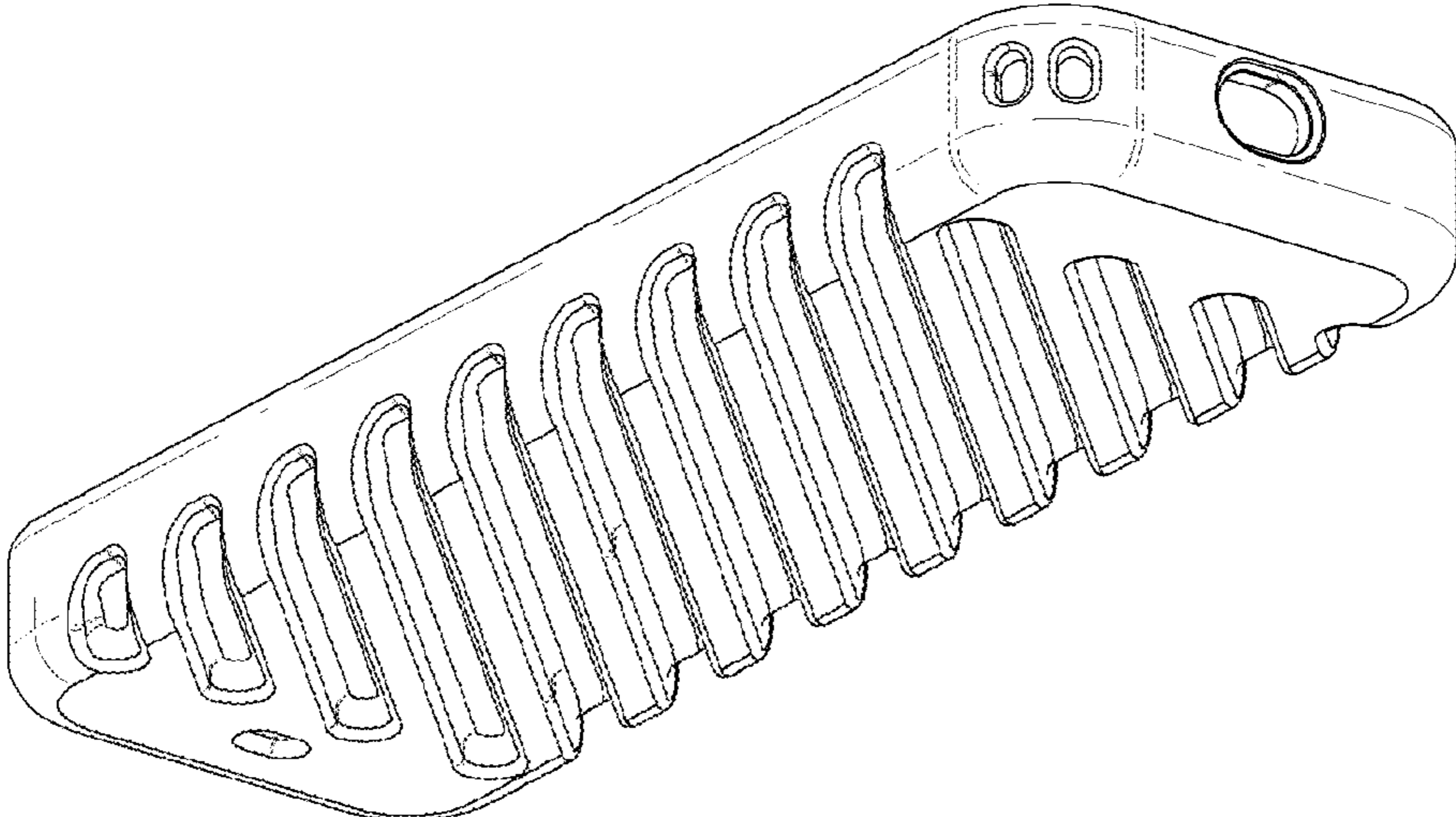


FIG. 9

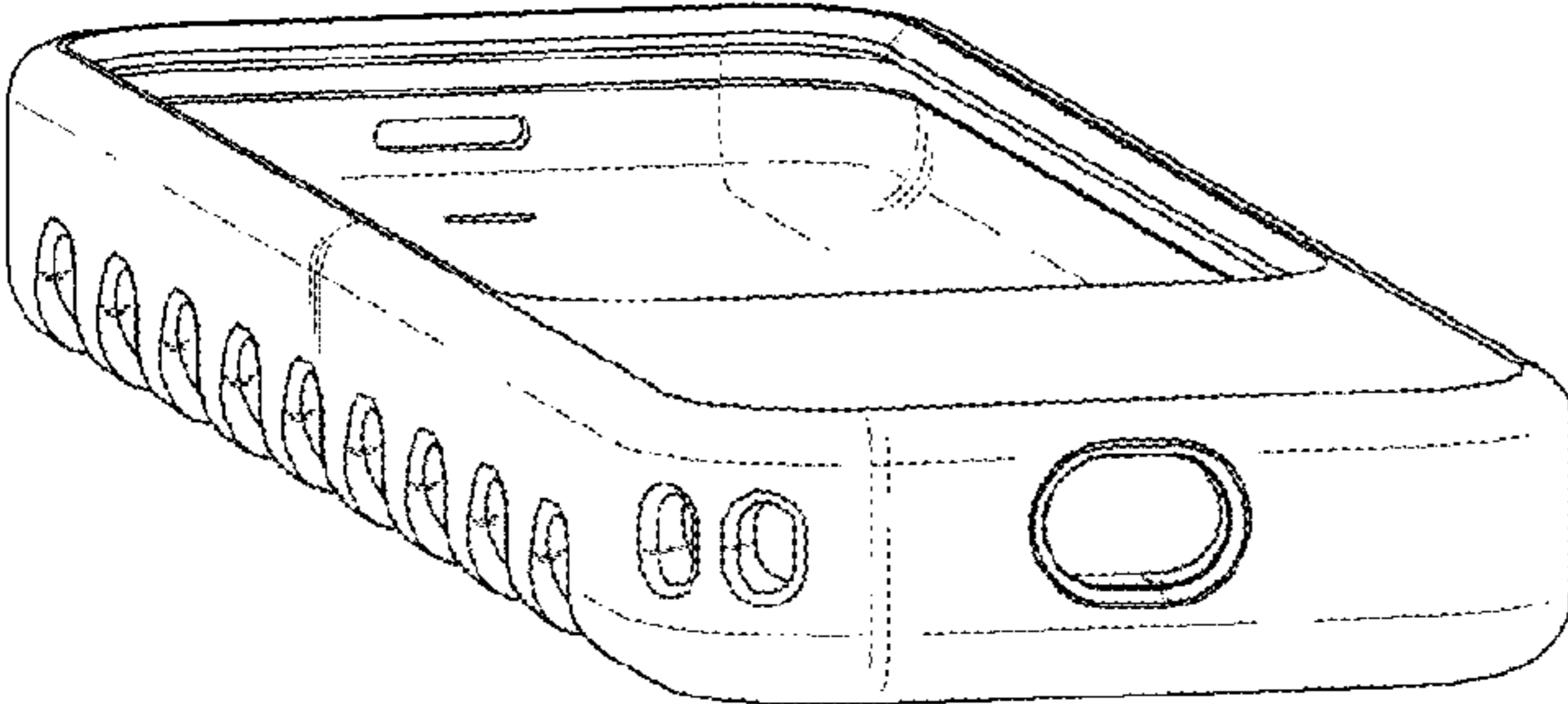


FIG. 10

