



US00D951931S

(12) **United States Design Patent**
Ryu et al.

(10) **Patent No.:** **US D951,931 S**
(45) **Date of Patent:** **** May 17, 2022**

(54) **MOBILE PHONE**

FOREIGN PATENT DOCUMENTS

(71) Applicant: **Samsung Electronics Co., Ltd.**,
Suwon-si (KR)

CN 306004037 * 8/2020
CN 306004038 * 8/2020

(72) Inventors: **Jinie Ryu**, Suwon-si (KR); **Jongdeuk Son**, Suwon-si (KR); **Jaewoong Chung**, Suwon-si (KR); **Hyounghsin Park**, Suwon-si (KR)

OTHER PUBLICATIONS

Samsung Galaxy Note 10, announced Aug. 7, 2019, [online], [retrieved on Apr. 21, 2021]. Retrieved from Internet ,<URL: <http://www.gsmarena.com>>.*

(73) Assignee: **SAMSUNG ELECTRONICS CO., LTD.**, Suwon-si (KR)

(Continued)

(**) Term: **15 Years**

Primary Examiner — Bridget L Eland

(74) *Attorney, Agent, or Firm* — McAndrews Held & Malloy, Ltd.

(21) Appl. No.: **29/707,192**

(57) **CLAIM**

(22) Filed: **Sep. 26, 2019**

The ornamental design for a mobile phone, as shown and described.

(30) **Foreign Application Priority Data**

DESCRIPTION

Mar. 26, 2019 (KR) 30-2019-0013737

(51) **LOC (13) Cl.** **14-03**

(52) **U.S. Cl.**
USPC **D14/248**

(58) **Field of Classification Search**

USPC D14/138 G, 248, 138 C, 138 AB, 341, D14/439, 432, 345, 138 R, 138 AA, D14/138 AC, 138 AD, 371, 374
CPC H04M 1/0202; H04M 1/0235; H04M 1/0237; H04M 1/0239; H04M 1/0266; H04M 1/0268; H04M 1/027; H04M 1/0295;

FIG. 1 is a front perspective view of a mobile phone showing our new design;

FIG. 2 is a front elevation view thereof;

FIG. 3 is a rear elevation view thereof;

FIG. 4 is a left side elevation view thereof;

FIG. 5 is a right side elevation view thereof;

FIG. 6 is a top plan view thereof;

FIG. 7 is a bottom plan view thereof;

FIG. 8 is a rear perspective view thereof;

FIG. 9 is an enlarged view of the portion 9 encircled in FIG. 1; and,

FIG. 10 is an enlarged view of the portion 10 encircled in FIG. 5.

(Continued)

The dashed broken lines in the drawings depict portions of the mobile phone that form no part of the claimed design.

The dot-dash broken lines in the drawings define the boundaries of the claimed design and form no part thereof.

The dot-dot-dash broken lines in the drawings encircle portions of the claimed design that are illustrated in enlargements and form no part of the claimed design.

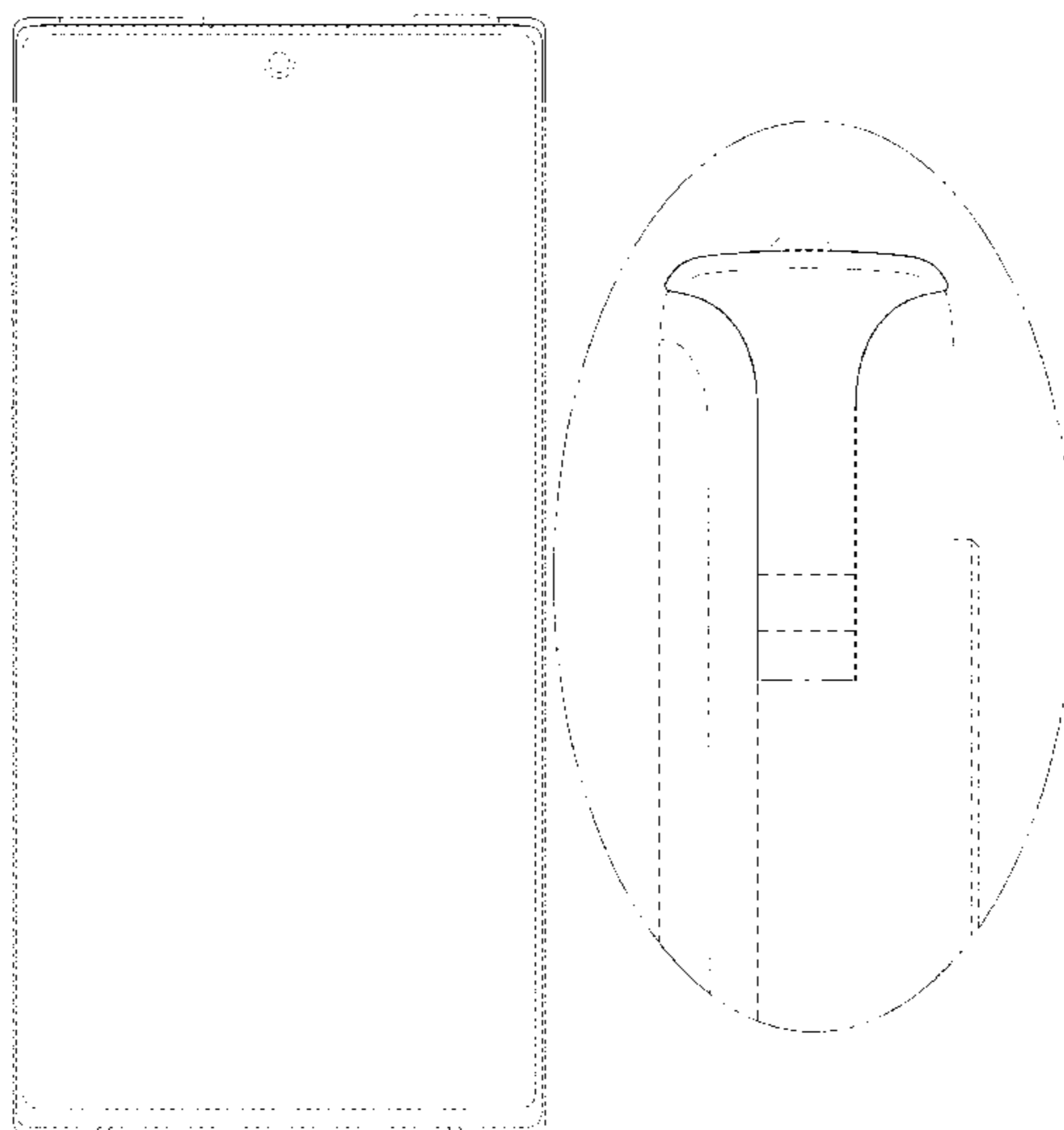
(56) **References Cited**

U.S. PATENT DOCUMENTS

D713,373 S * 9/2014 Hibi D14/138 G
D767,522 S * 9/2016 Wu D14/138 G
D775,600 S * 1/2017 Kim D14/138 G

(Continued)

1 Claim, 8 Drawing Sheets



(58) **Field of Classification Search**
 CPC ... H04M 1/02; H04M 1/0279; H04M 1/0283
 See application file for complete search history.

(56) **References Cited**

U.S. PATENT DOCUMENTS

D781,804 S * 3/2017 Park D14/138 G
 D783,010 S * 4/2017 Lee D14/248
 D783,565 S * 4/2017 Kim D14/138 G
 D787,467 S * 5/2017 Xu D14/138 C
 D788,728 S * 6/2017 Kim D14/138 AA
 D797,724 S * 9/2017 Lee D14/341
 D797,725 S * 9/2017 Lee D14/341
 D801,297 S * 10/2017 Song D14/138 G
 D855,032 S * 7/2019 Cho D14/138 G
 D881,831 S * 4/2020 Song D14/138 G
 D881,861 S * 4/2020 Song D14/248
 D881,862 S * 4/2020 Song D14/248
 D890,113 S * 7/2020 Ma D14/138 G

D924,193 S * 7/2021 Ryu D14/138 G
 D924,194 S * 7/2021 Ryu D14/138 G
 D924,195 S * 7/2021 Son D14/138 G
 D924,216 S * 7/2021 Ryu D14/248
 D924,217 S * 7/2021 Ryu D14/248
 D924,218 S * 7/2021 Son D14/248
 D924,219 S * 7/2021 Son D14/248
 D924,829 S * 7/2021 Ryu D14/138 G
 D924,830 S * 7/2021 Son D14/138 G
 D938,404 S * 12/2021 Seo D14/248

OTHER PUBLICATIONS

Samsung Galaxy Note 10 5G, announced Aug. 2019, [online],
 [retrieved on Apr. 21, 2021]. Retrieved from Internet ,<URL:
<http://www.gsmarena.com>>.*
 Samsung Galaxy Note9, announced Aug. 9, 2018, [online], [retrieved
 on Apr. 21, 2021]. Retrieved from Internet ,<URL: <http://www.gsmarena.com>>.*

* cited by examiner

FIG. 1

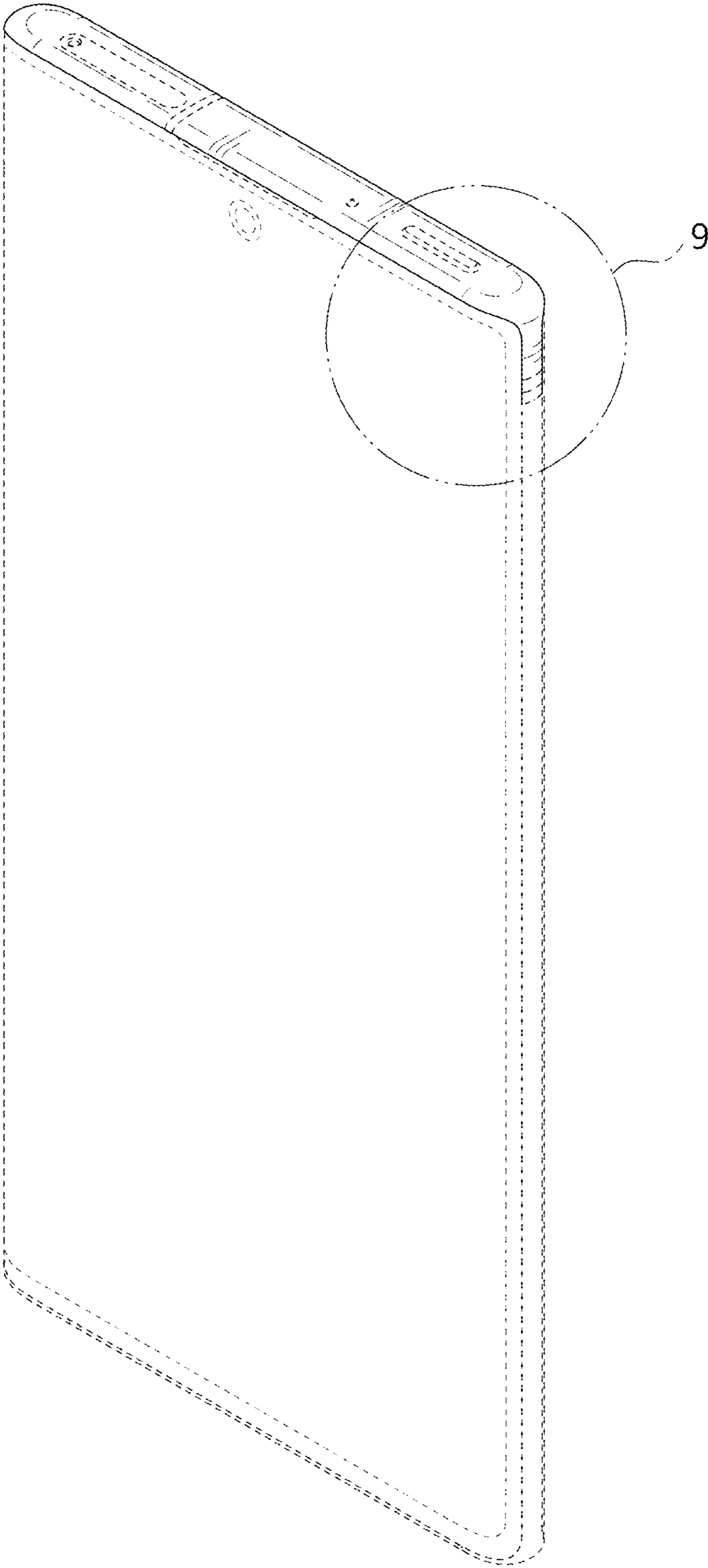


FIG. 2

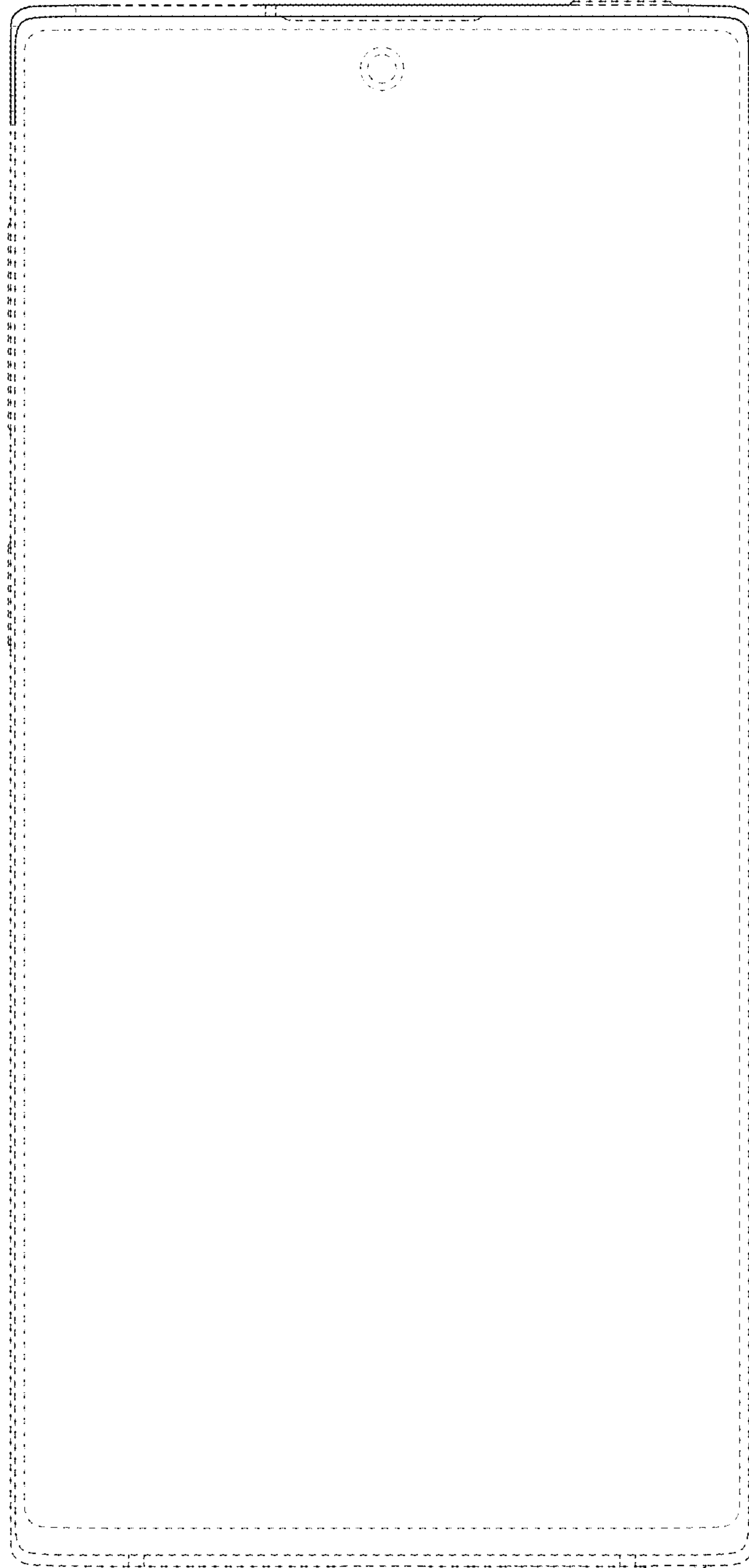


FIG. 3

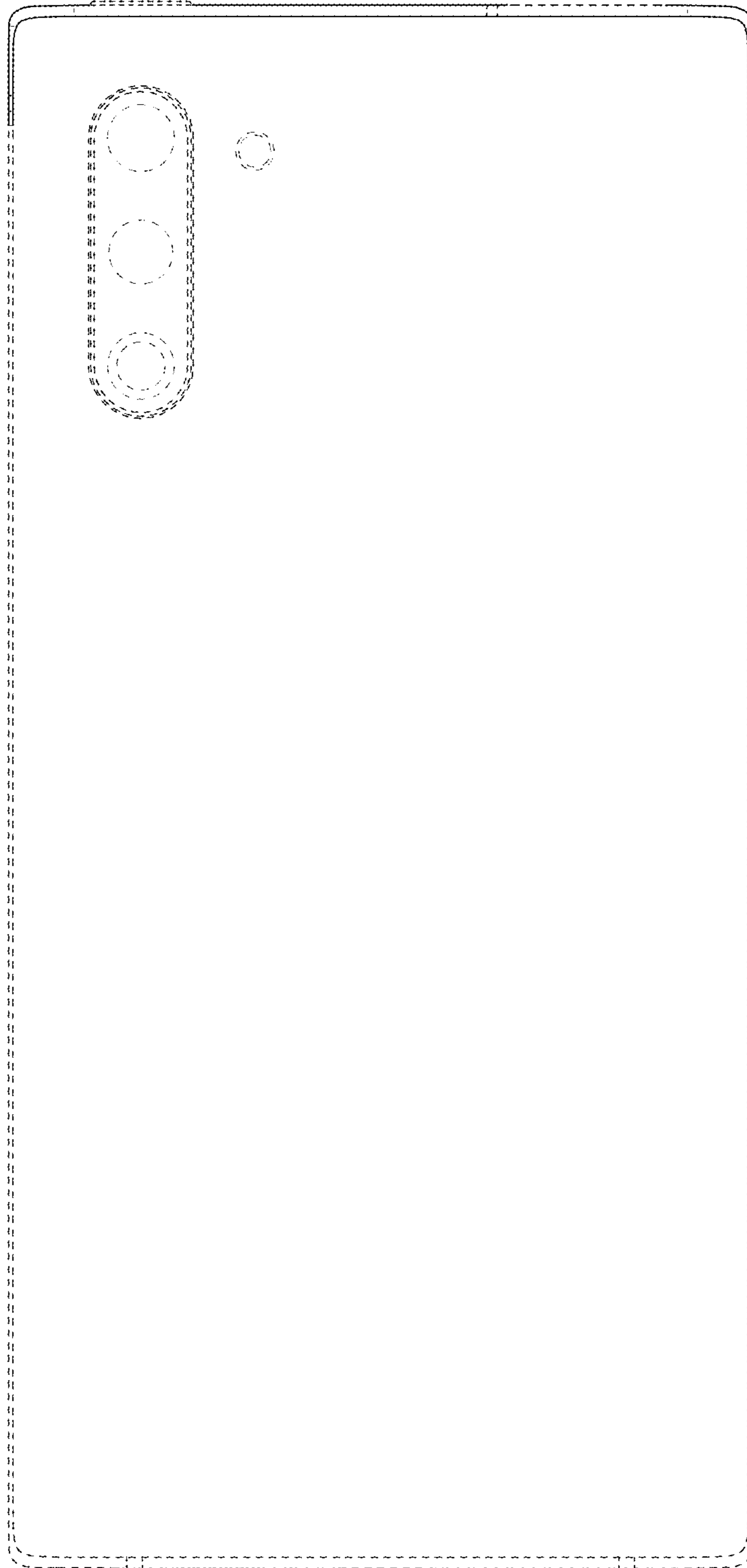


FIG. 4

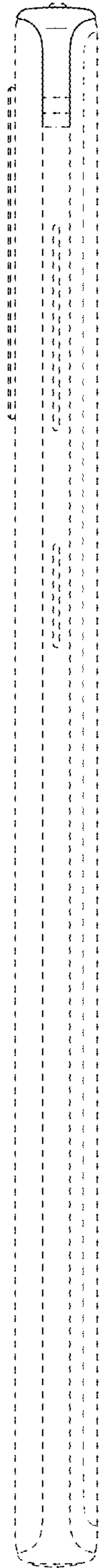


FIG. 5

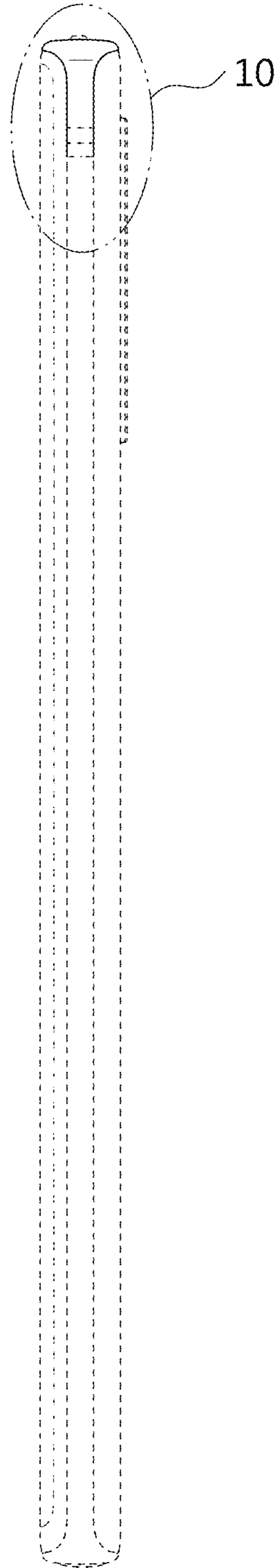


FIG. 6

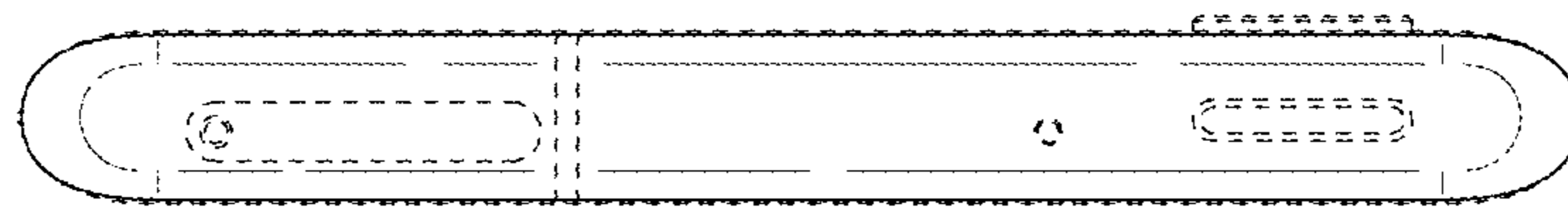


FIG. 7

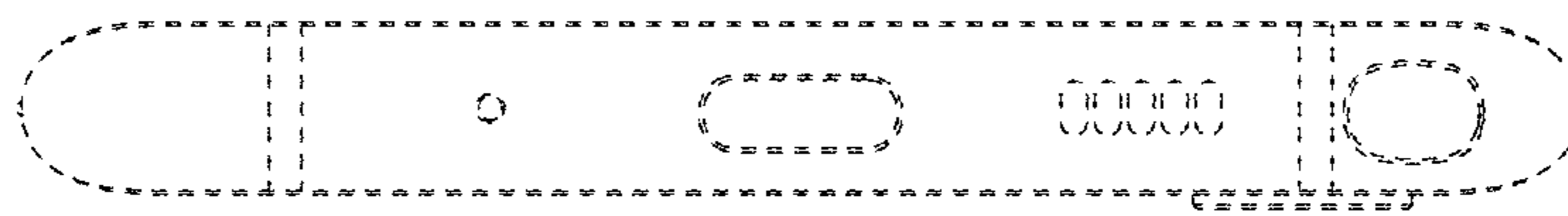


FIG. 8

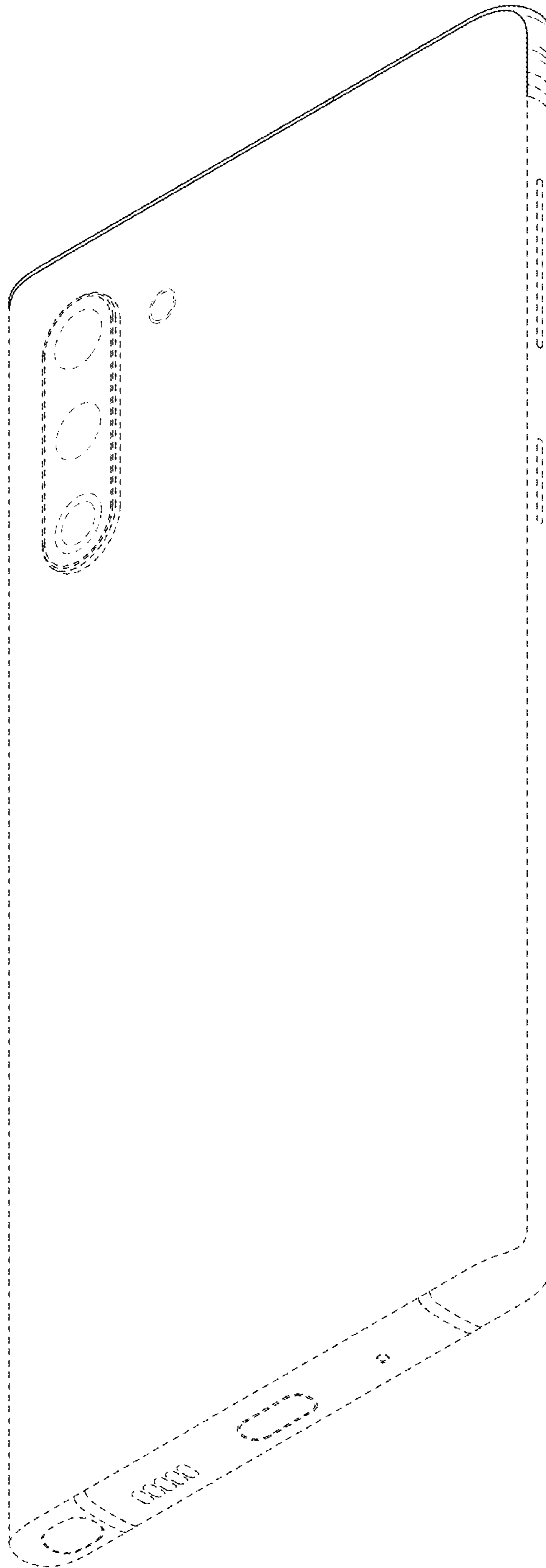


FIG. 9

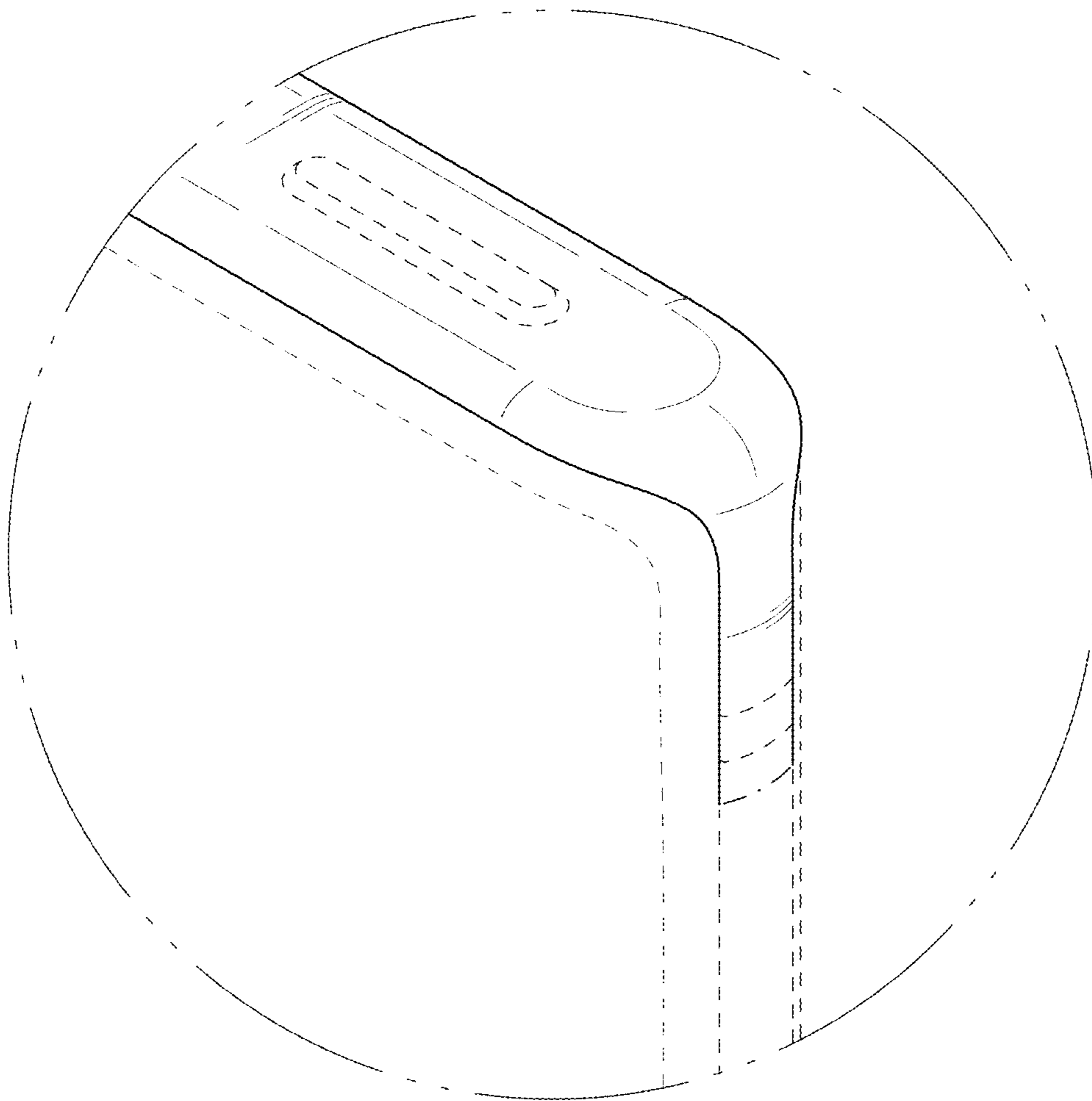


FIG. 10

