



US00D951927S

(12) **United States Design Patent** (10) **Patent No.:** **US D951,927 S**
Unter Ecker et al. (45) **Date of Patent:** **** May 17, 2022**

(54) **GATEWAY ROUTER**
(71) Applicant: **Telefonaktiebolaget LM Ericsson (publ)**, Stockholm (SE)
(72) Inventors: **Oliver Unter Ecker**, Los Angeles, CA (US); **Alexander Dakin**, San Francisco, CA (US); **Scott Janis**, Pleasant Hill, CA (US); **Lucas Menanix**, Richmond, CA (US); **Colton Sanford**, Seattle, WA (US); **Isamu Taguchi**, San Francisco, CA (US); **Germain Verbrackel**, Arradon (FR)
(73) Assignee: **TELEFONAKTIEBOLAGET LM ERICSSON (PUBL)**, Stockholm (SE)
(**) Term: **15 Years**
(21) Appl. No.: **29/756,893**
(22) Filed: **Oct. 30, 2020**
(51) **LOC (13) Cl.** **14-03**
(52) **U.S. Cl.**
USPC **D14/242**
(58) **Field of Classification Search**
USPC D14/240, 242, 357, 358, 140-140.9, 155, D14/125, 137, 139, 243, 348, 349, 351, D14/354, 355
CPC H04L 12/00; H03K 17/00; H04W 88/00; H04W 88/005; H04W 88/02; H04W 88/08; H04W 88/085; H04W 88/10; H04W 88/12; H04W 88/14; H04B 1/38
See application file for complete search history.

D835,600 S * 12/2018 Weiss D14/204
D840,436 S * 2/2019 Demin D14/496
D846,598 S * 4/2019 Wang D14/496
D856,318 S * 8/2019 Ramones D14/242
D862,436 S * 10/2019 Ramones D14/242
D887,390 S * 6/2020 Weiss D14/204
D890,006 S * 7/2020 Takano D10/104.1
D893,457 S * 8/2020 Wei D14/216
D905,049 S * 12/2020 Lu D14/496
D922,367 S * 6/2021 Garbelman D14/242

FOREIGN PATENT DOCUMENTS

WO D214071-001 * 11/2021
* cited by examiner

Primary Examiner — Bridget L Eland
(74) *Attorney, Agent, or Firm* — Nicholson De Vos Webster & Elliott LLP

(57) **CLAIM**

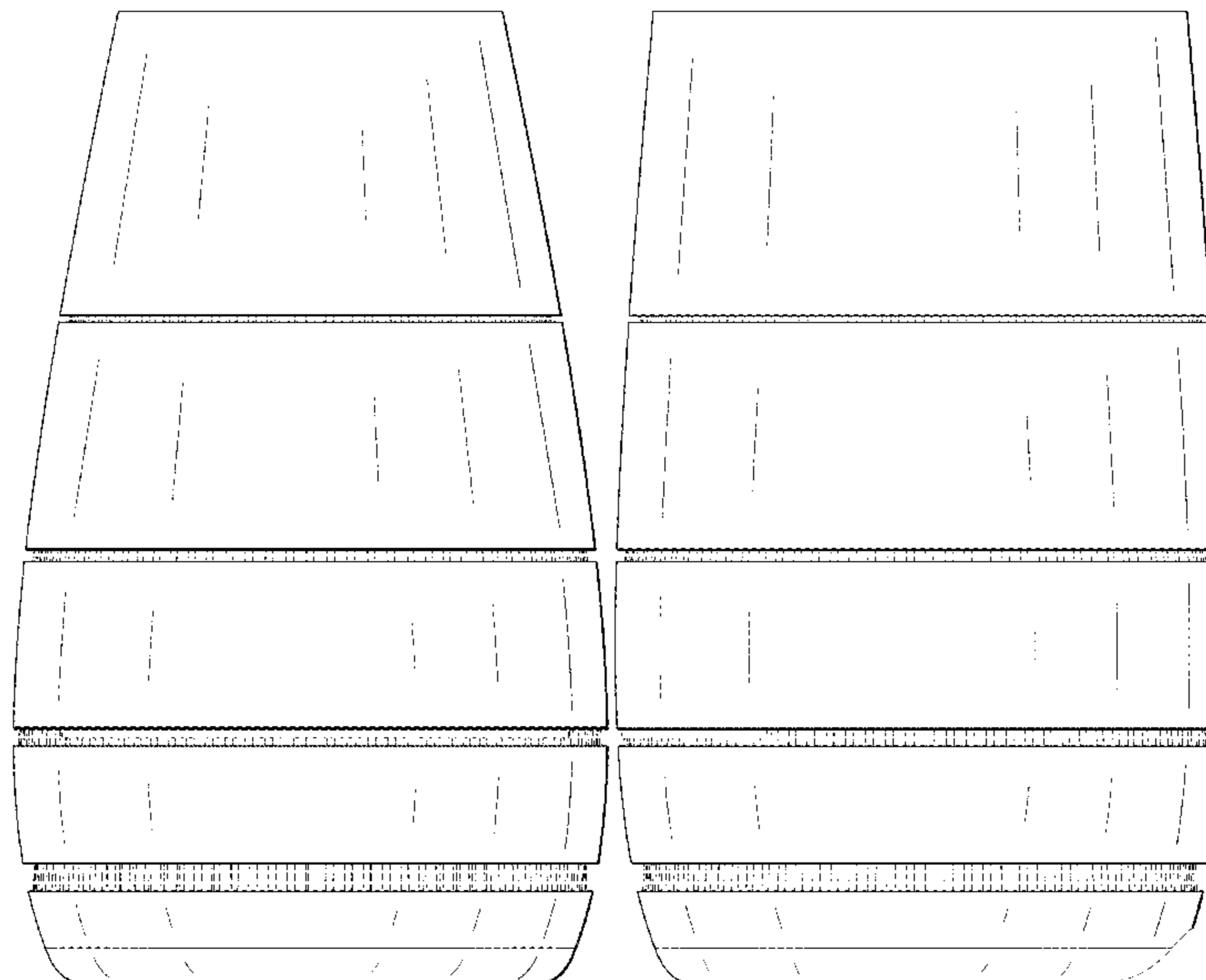
The ornamental design for a gateway router, as shown and described.

DESCRIPTION

FIG. 1 is a front perspective view of a gateway router showing our new design;
FIG. 2 is a front elevation view of the gateway router of FIG. 1;
FIG. 3 is a rear elevation view of the gateway router of FIG. 1;
FIG. 4 is a right view of the gateway router of FIG. 1;
FIG. 5 is a left view of the gateway router of FIG. 1;
FIG. 6 is a top view of the gateway router of FIG. 1;
FIG. 7 is a bottom view of the gateway router of FIG. 1; and,
FIG. 8 is a bottom perspective view of the gateway router of FIG. 1.
The broken lines in the figures illustrate portions of the gateway router that form no part of the claimed design.

1 Claim, 8 Drawing Sheets

(56) **References Cited**
U.S. PATENT DOCUMENTS
D324,050 S * 2/1992 Ando D14/357
D461,178 S * 8/2002 Solland D14/216
D691,587 S * 10/2013 Ferber D14/216



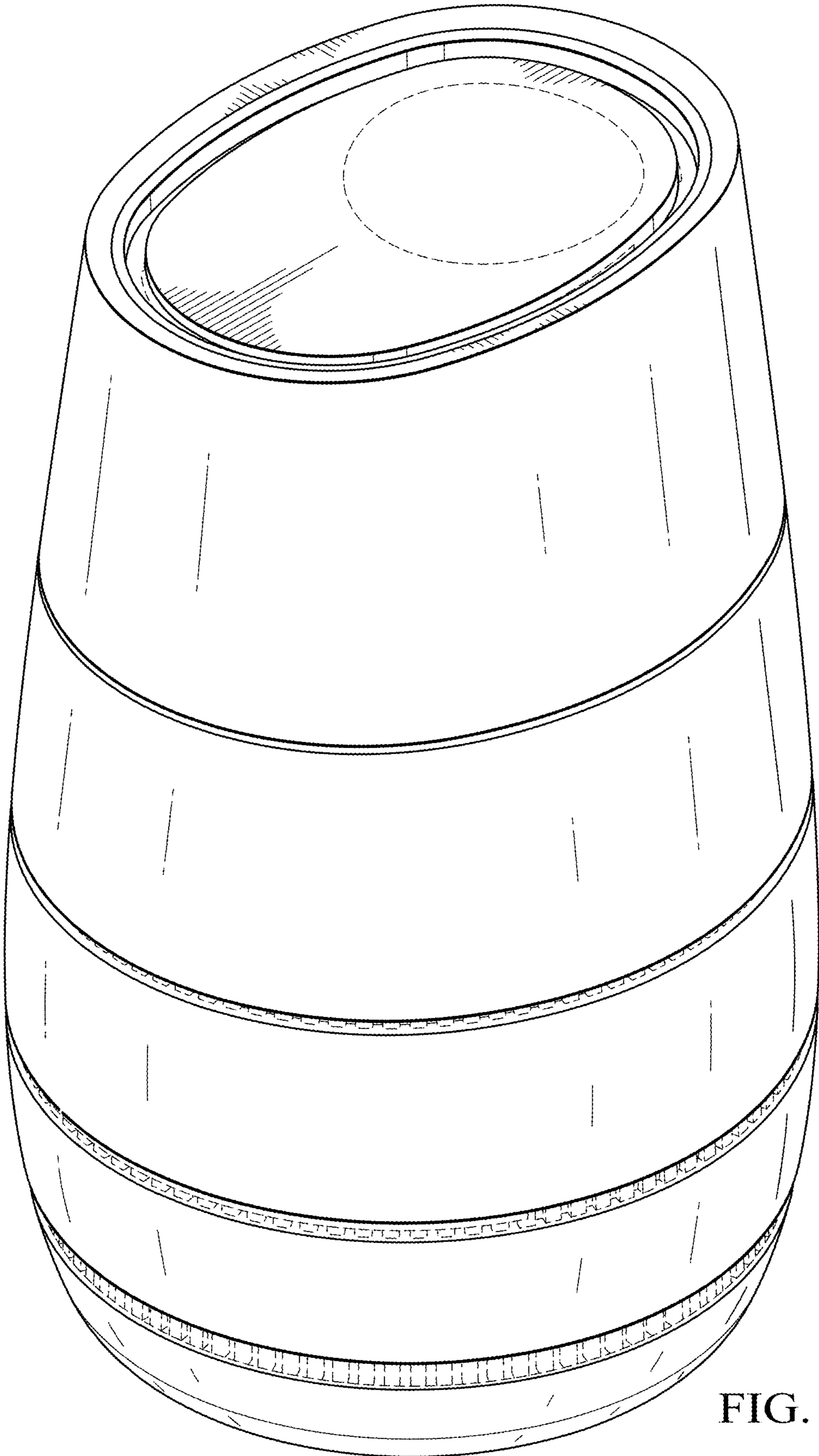


FIG. 1

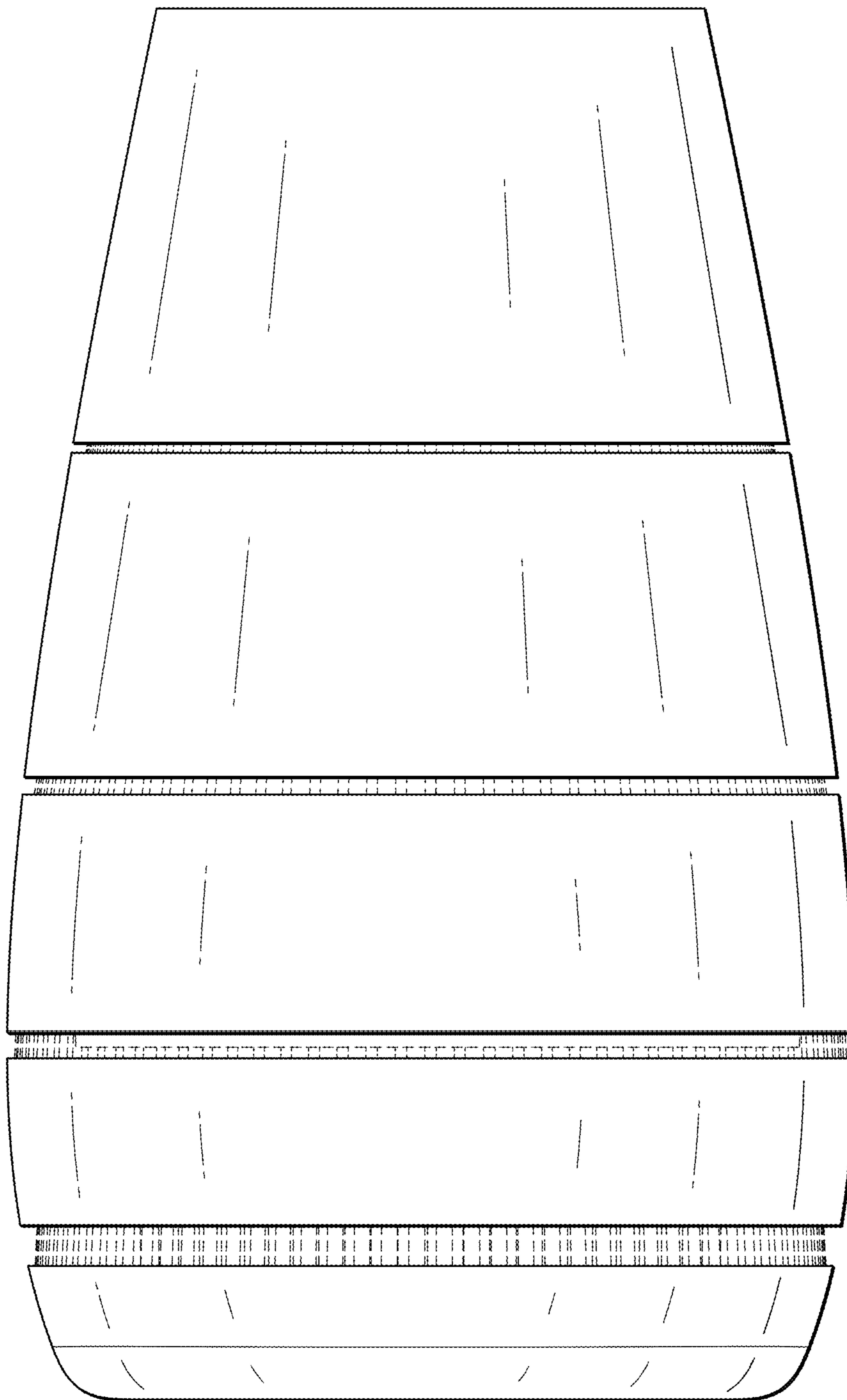


FIG. 2

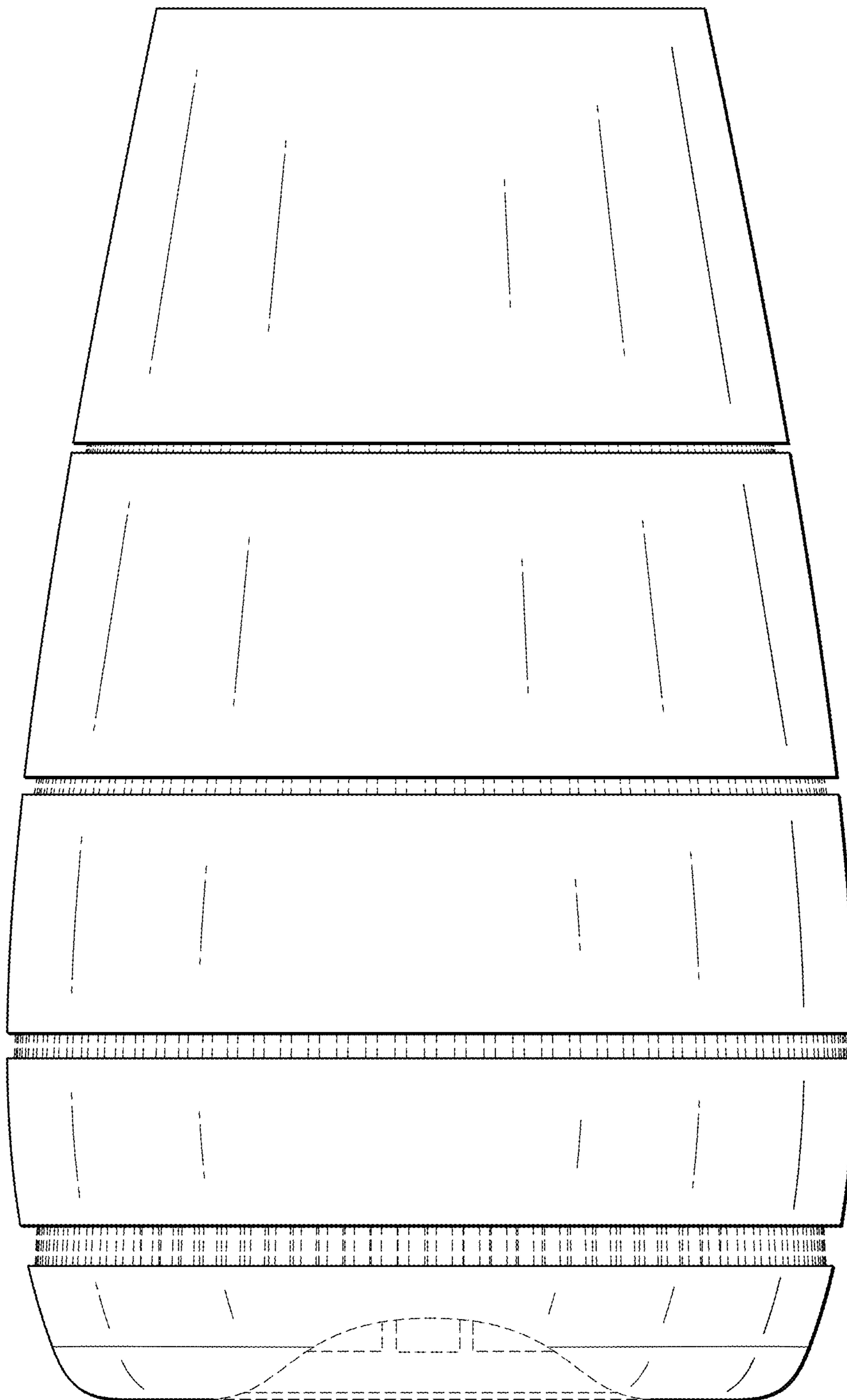


FIG. 3

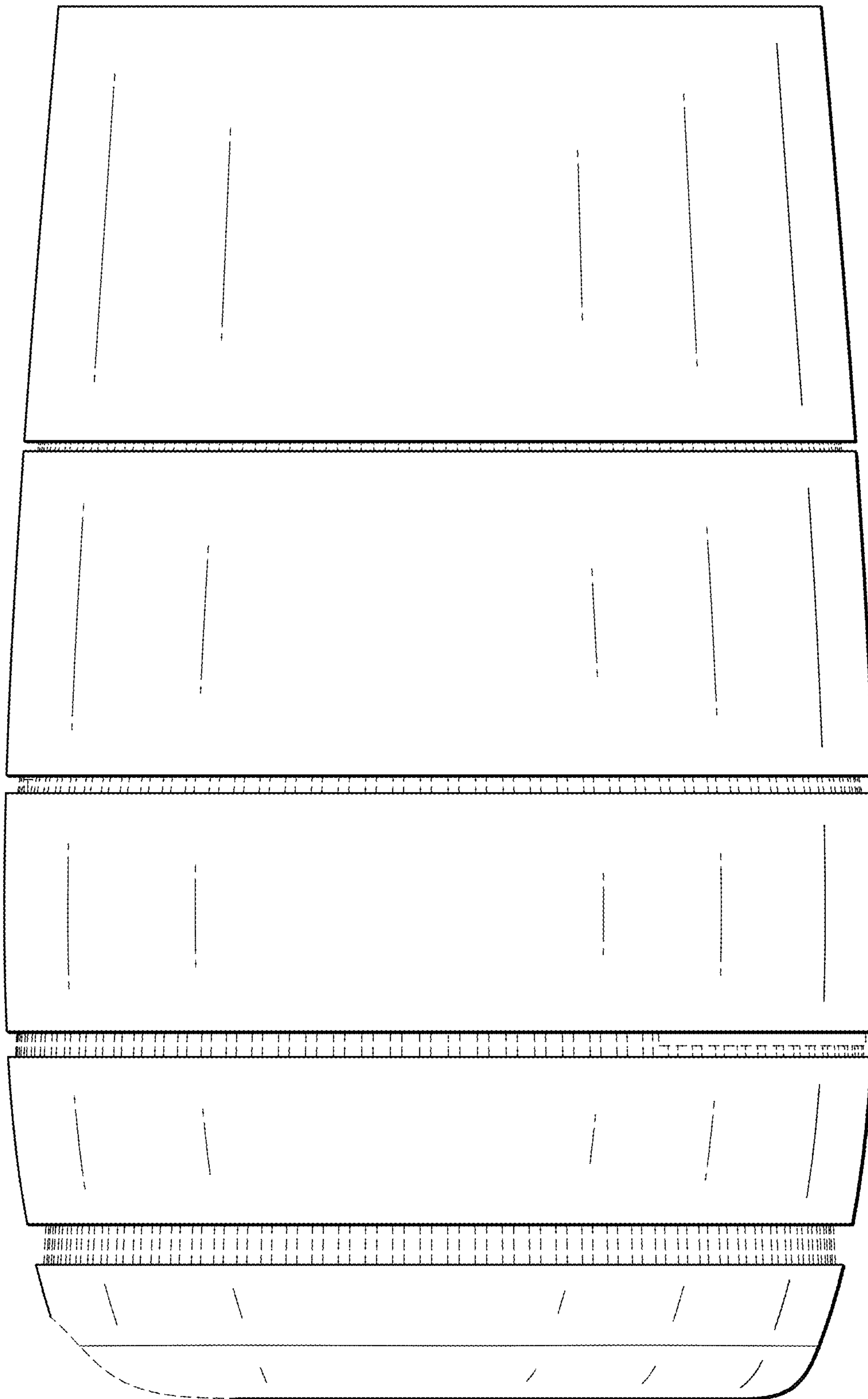


FIG. 4

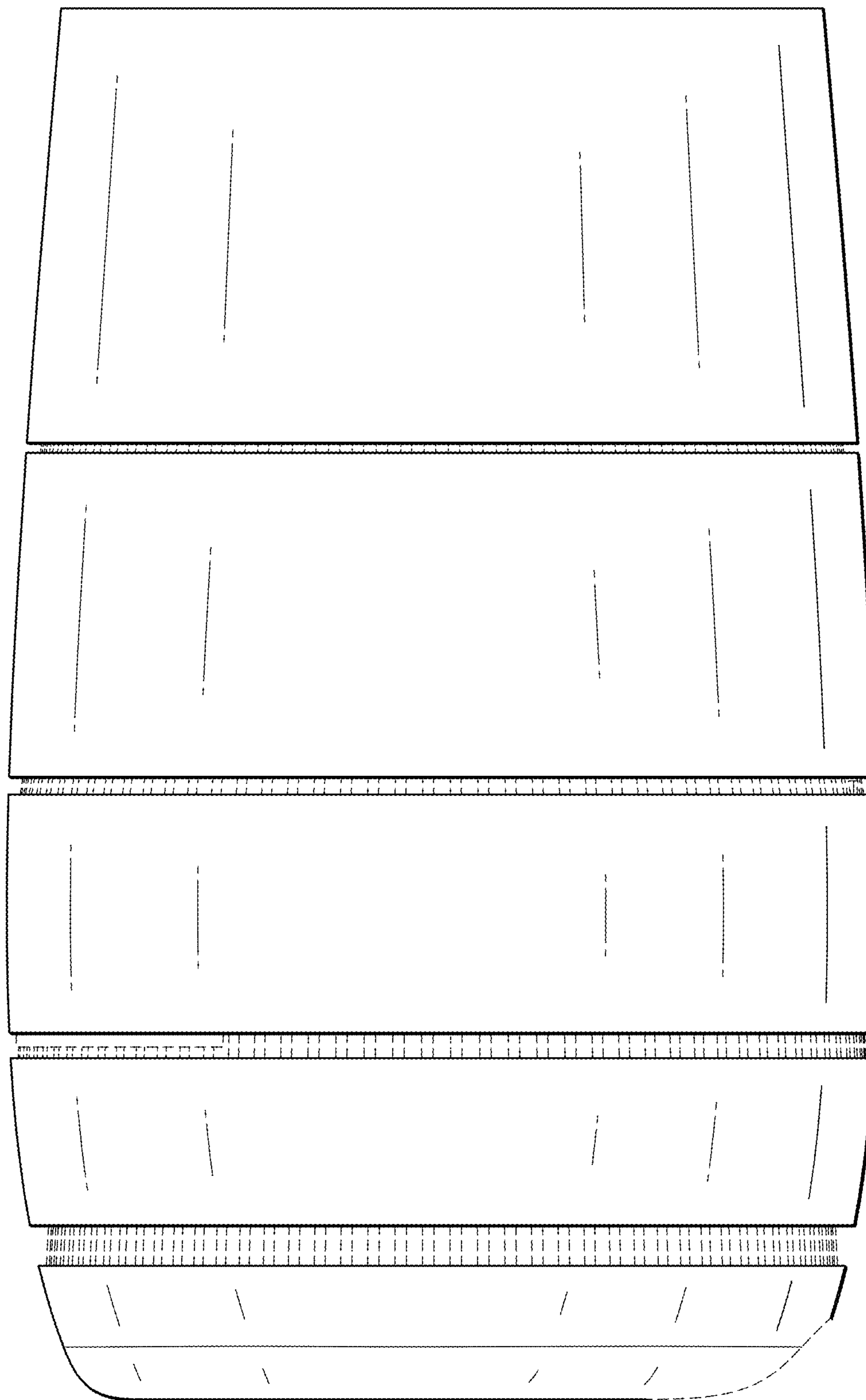


FIG. 5

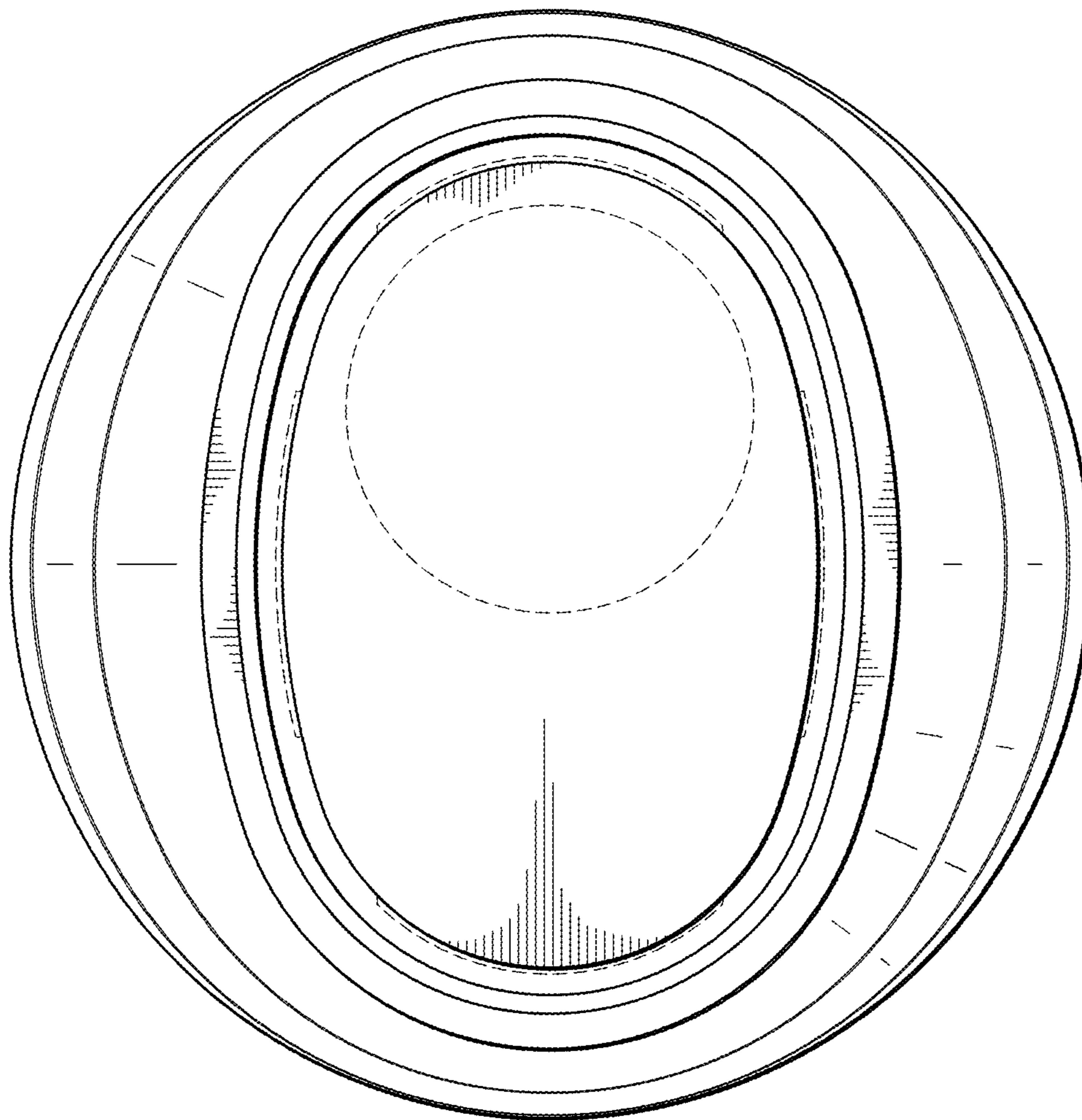


FIG. 6

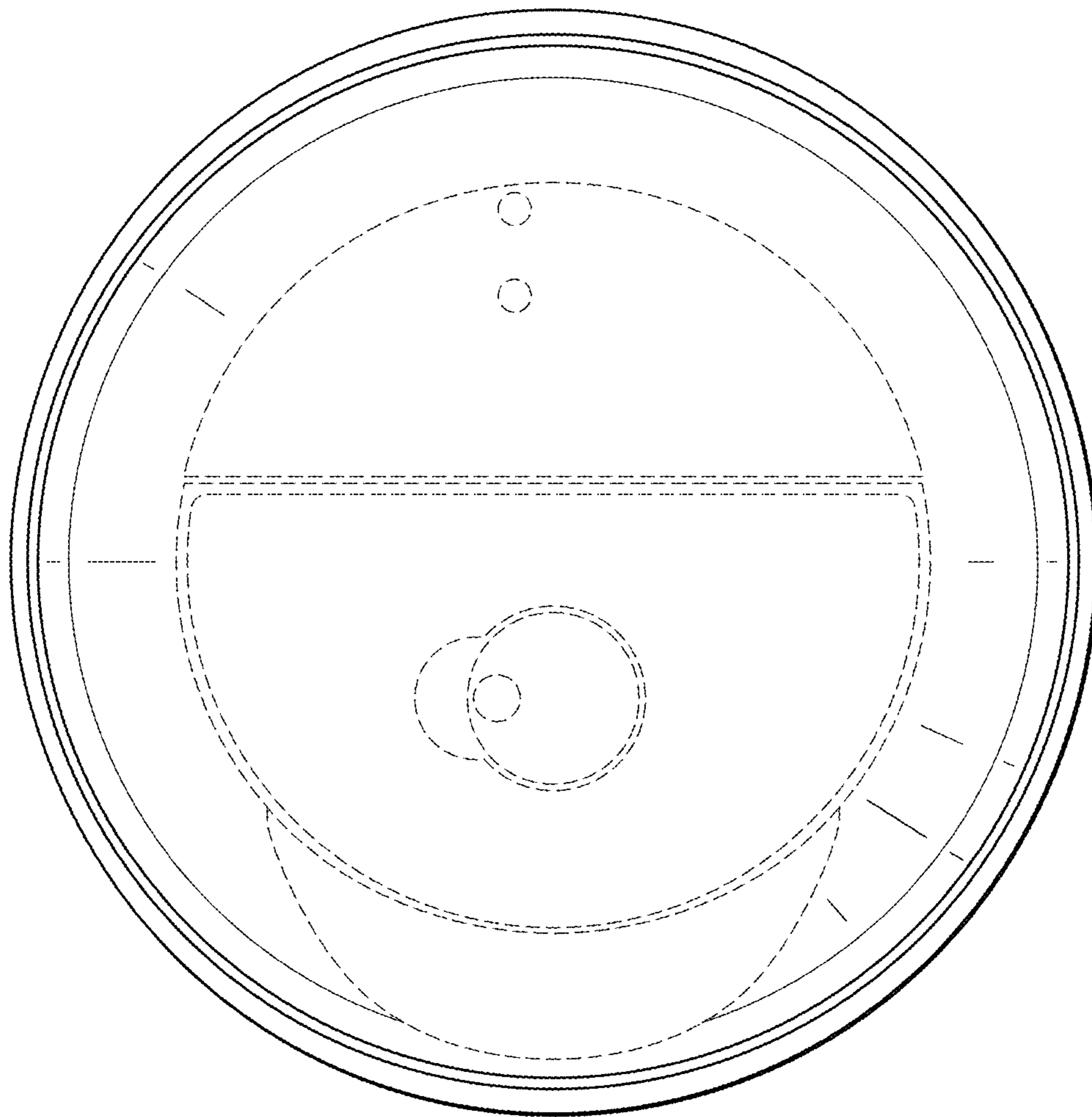


FIG. 7

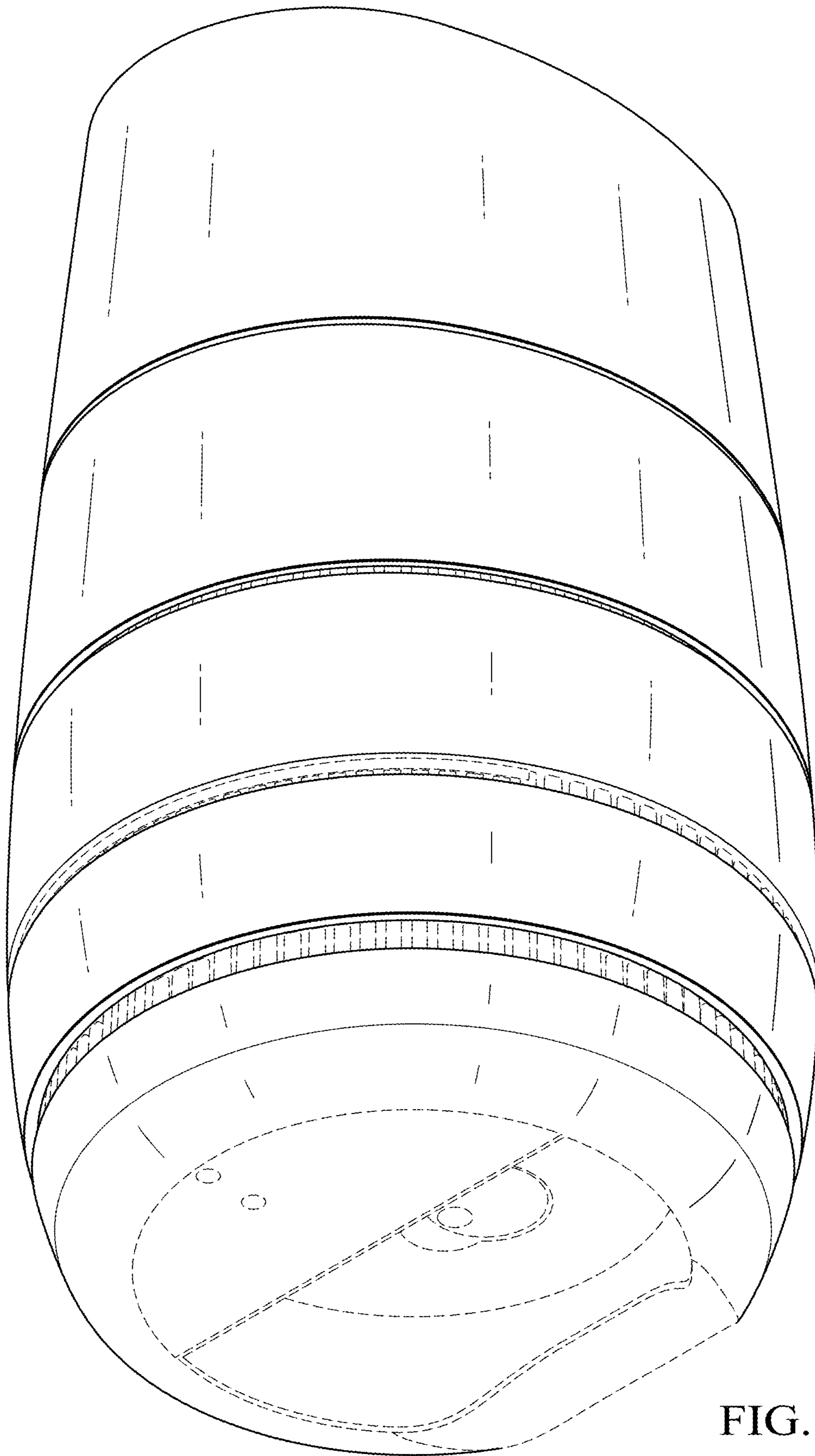


FIG. 8