



US00D951926S

(12) **United States Design Patent** (10) **Patent No.:** **US D951,926 S**
O'Neil et al. (45) **Date of Patent:** **** May 17, 2022**

(54) **ELECTRONIC GATEWAY**

(71) Applicant: **Microsoft Corporation**, Redmond, WA (US)

(72) Inventors: **Daniel O'Neil**, Sammamish, WA (US);
Moe Tanabian, Bellevue, WA (US);
Krzysztof Jan Luchowiec, Bellevue, WA (US)

(73) Assignee: **Microsoft Corporation**, Redmond, WA (US)

(**) Term: **15 Years**

(21) Appl. No.: **29/734,916**

(22) Filed: **May 15, 2020**

(51) **LOC (13) Cl.** **14-03**

(52) **U.S. Cl.**

USPC **D14/242**; D14/358

(58) **Field of Classification Search**

USPC D14/356, 357, 358, 432, 441, 488, 140, D14/140.1, 150, 217, 257, 240, 496, 299, D14/242, 125, 129, 130, 142, 155, 167, D14/168, 172, 188, 195, 348, 351, 197, D14/198, 230, 104.6, 300, 301, 312, 313, D14/388, 474; D13/123, 162, 162.1, 168, D13/173, 177, 184, 199, 152, 158, 146; D10/104.1, 106.1, 106.95, 46, 52, 53, 60, D10/75, 80, 83, 94, 103, 122, 123-125, D10/61, 62, 70, 71; D23/370, 371, 373, D23/374, 386

CPC G06F 1/1686; G06F 1/1684; G06F 1/181; H04L 12/2834; H04W 88/00; H04W 88/005; H04W 88/02; H04W 88/08; H04W 88/12; H04W 88/14; H04W 88/16; H04W 88/18; H05K 7/20; H05K 7/20154

See application file for complete search history.

(56) **References Cited**

U.S. PATENT DOCUMENTS

D215,940 S *	11/1969	Kahn	D14/230
D258,577 S *	3/1981	Bottner	D13/184
D304,935 S *	12/1989	Muller	D14/242
D348,254 S *	6/1994	Ratzlaff	D14/348
D386,186 S *	11/1997	Schnetzer	D14/230
D437,316 S *	2/2001	Lin	D14/356
D440,960 S *	4/2001	Barber	D14/230
D473,220 S *	4/2003	Smith	D14/256
D484,497 S *	12/2003	Alviar	D14/240
D540,794 S *	4/2007	Jeon	D14/240
D573,985 S *	7/2008	Jeong	D14/240
D580,920 S *	11/2008	Wikel	D14/240
D594,456 S *	6/2009	Huang	D14/358
D596,626 S *	7/2009	Andre	D14/240
D625,800 S *	10/2010	Daniels	D23/373
D671,116 S *	11/2012	Phillips	D14/356
D675,173 S *	1/2013	Paradise	D14/125
8,385,850 B1 *	2/2013	Thompson	G06F 1/182 455/90.3

(Continued)

Primary Examiner — Marie D. Fast Horse

(74) *Attorney, Agent, or Firm* — Banner & Witcoff, Ltd.

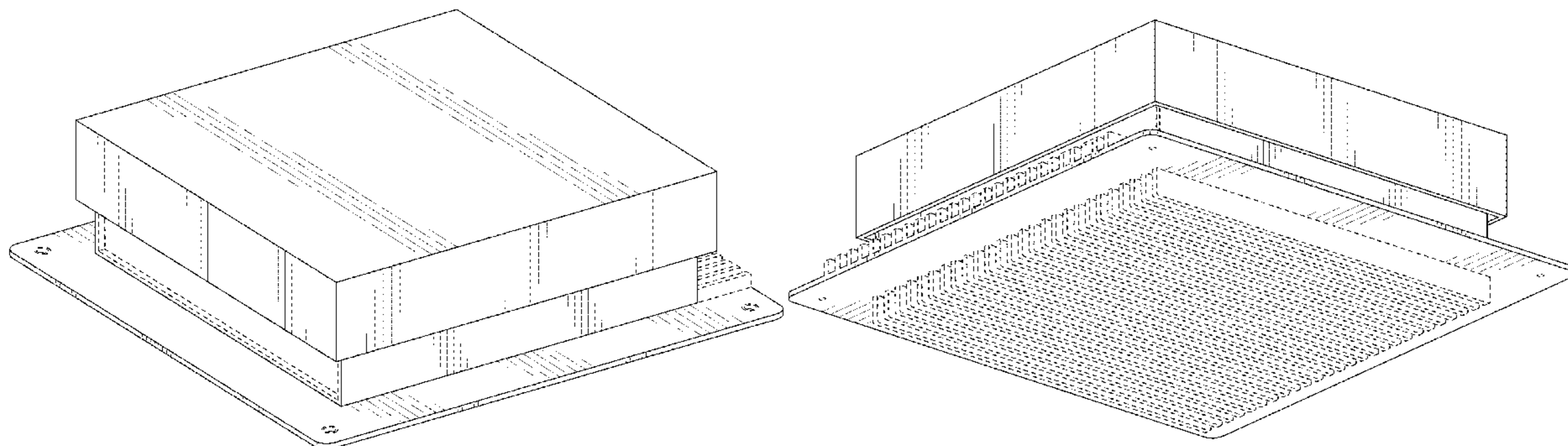
(57) **CLAIM**

The ornamental design for an electronic gateway, as shown and described.

DESCRIPTION

FIG. 1 is a front top perspective view of an electronic gateway showing our new design; FIG. 2 is a rear bottom perspective view thereof; FIG. 3 is a left side view thereof; FIG. 4 is a right side view thereof; FIG. 5 is a front view thereof; FIG. 6 is a rear view thereof; FIG. 7 is a top view thereof; and, FIG. 8 is a bottom view thereof. The broken lines depict portions of the electronic gateway that form no part of the claimed design.

1 Claim, 6 Drawing Sheets



(56)

References Cited

U.S. PATENT DOCUMENTS

D689,051	S *	9/2013	Lee	D14/358
D742,884	S *	11/2015	Seflic	D14/433
D743,359	S *	11/2015	Tatem	D14/125
D744,483	S *	12/2015	Barbu	D14/358
D757,697	S *	5/2016	Dubrulle	D14/240
D774,023	S *	12/2016	Fariello	D14/230
D780,731	S *	3/2017	Kim	D14/242
D797,712	S *	9/2017	Chang	D14/240
D836,619	S *	12/2018	Yokoyama	D14/240
D857,678	S *	8/2019	Vardi	D14/242
D873,269	S *	1/2020	Hu	D14/358
D894,138	S *	8/2020	Seflic	D14/358
D894,162	S *	8/2020	Carroll	D14/242
D896,217	S *	9/2020	Jaggers	D14/300
D901,462	S *	11/2020	Oba	D14/230
D904,362	S *	12/2020	Menendez	D14/240
D917,409	S *	4/2021	Seflic	D14/358
D922,365	S *	6/2021	Liu	D14/240
2010/0184366	A1 *	7/2010	Hassenstab	F24F 7/02 454/367
2013/0115871	A1 *	5/2013	Bourque	F24F 7/02 454/365

* cited by examiner

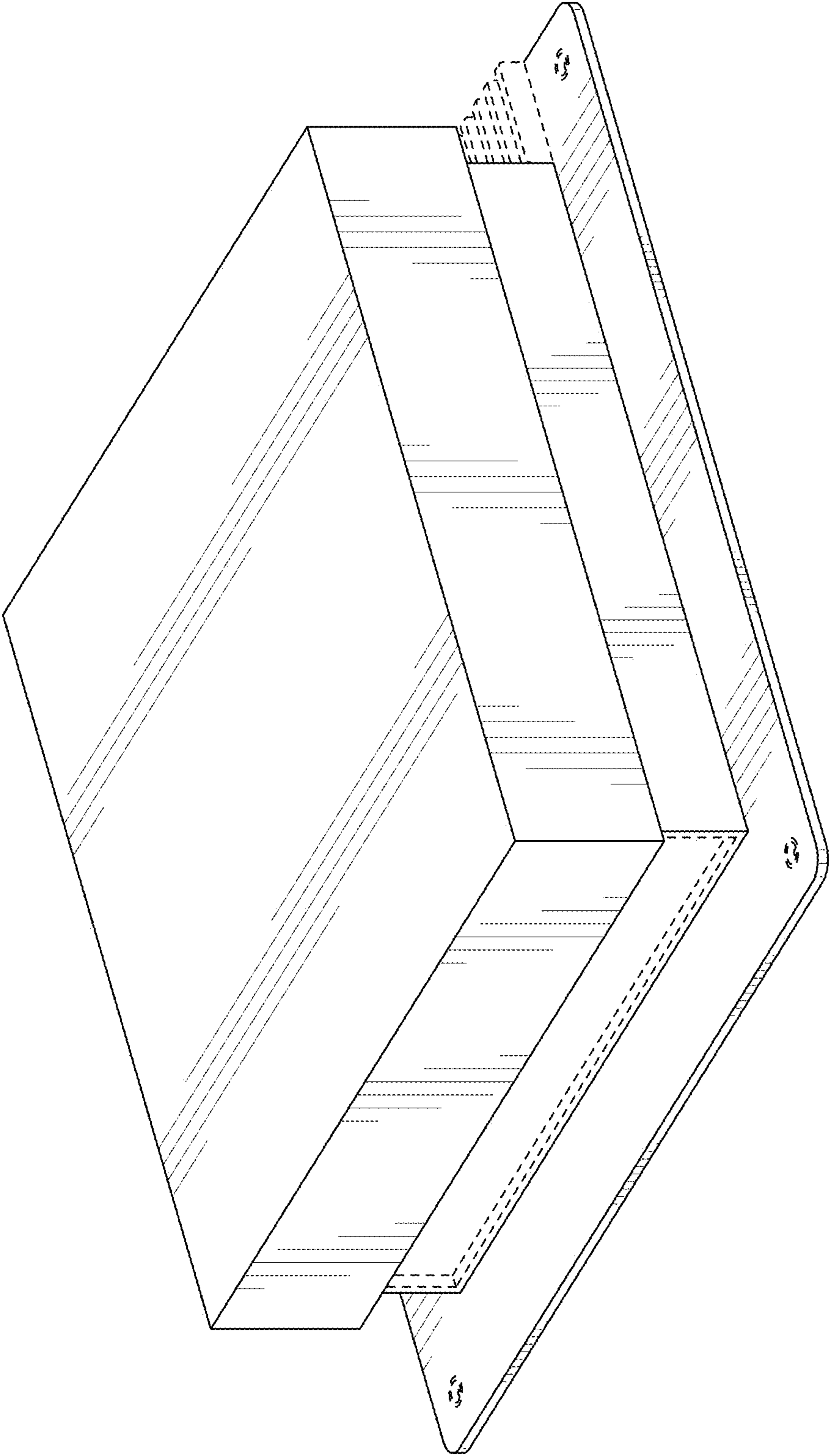


FIG. 1

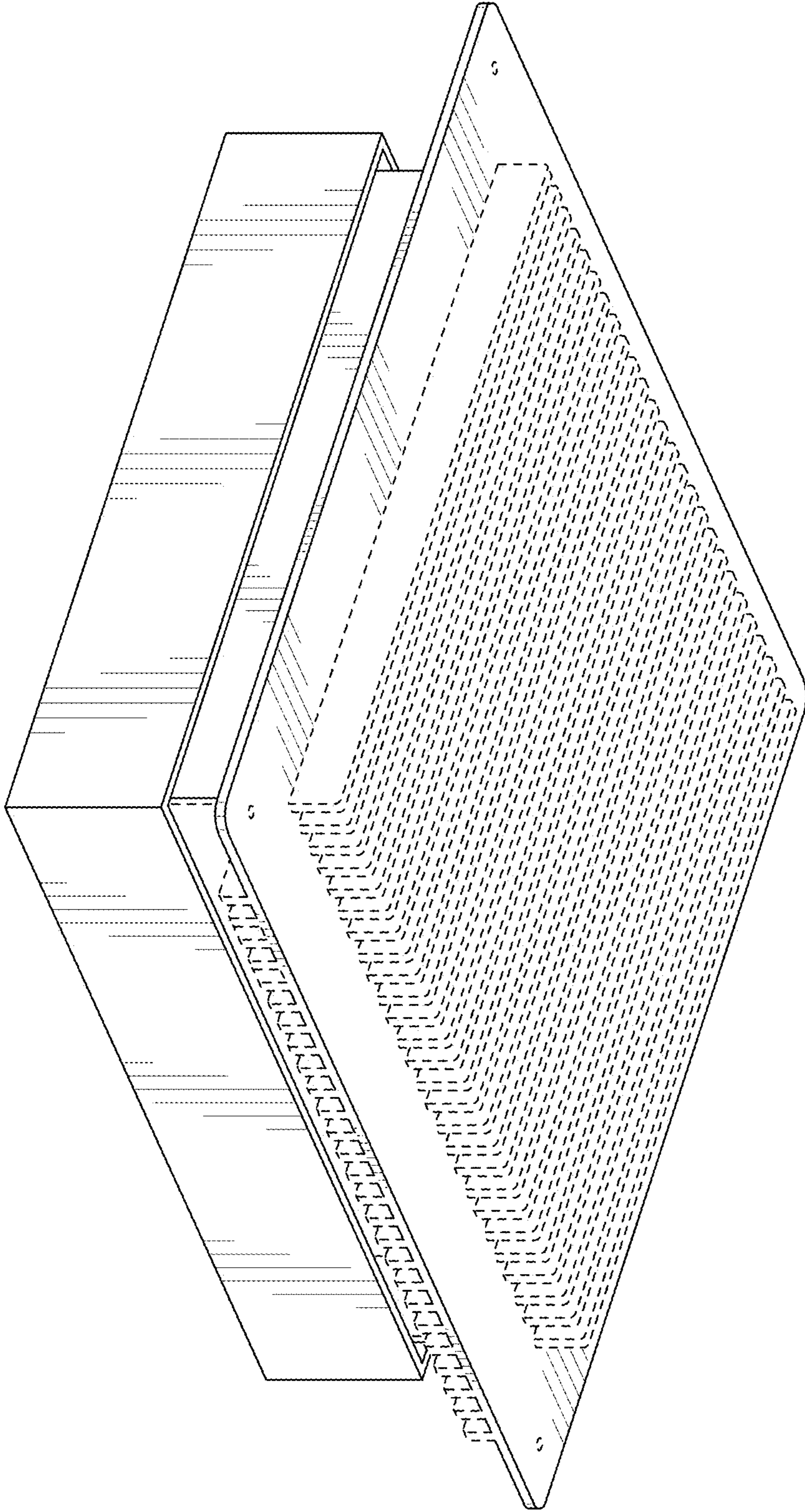


FIG. 2

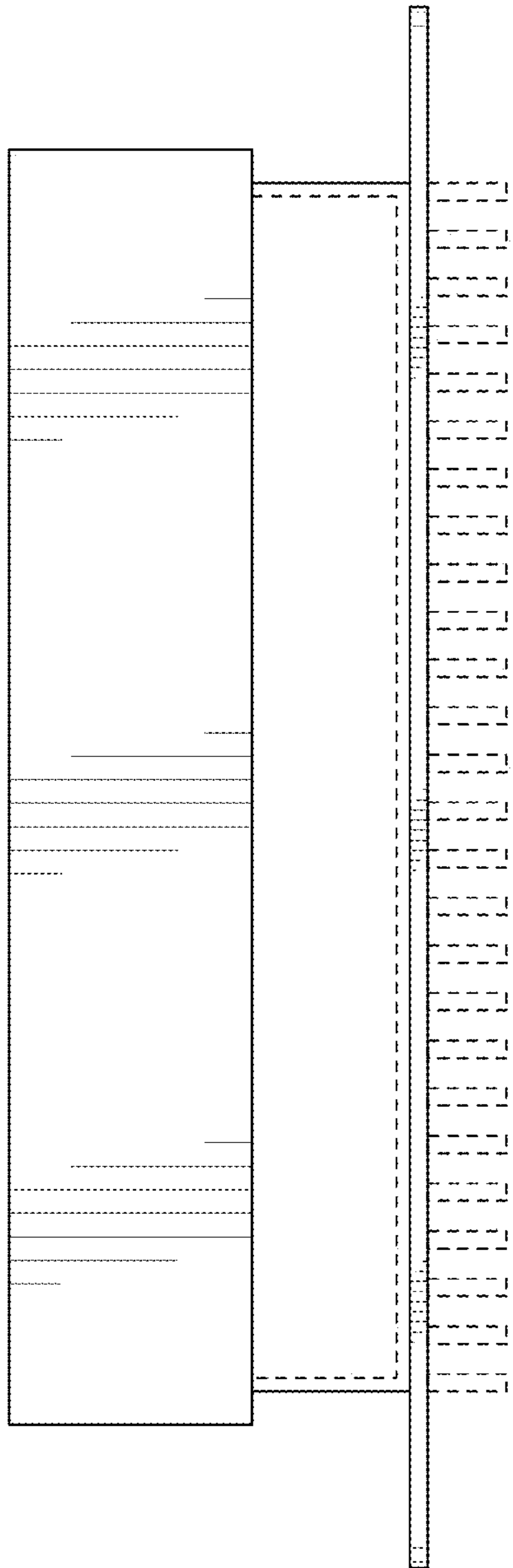


FIG. 3

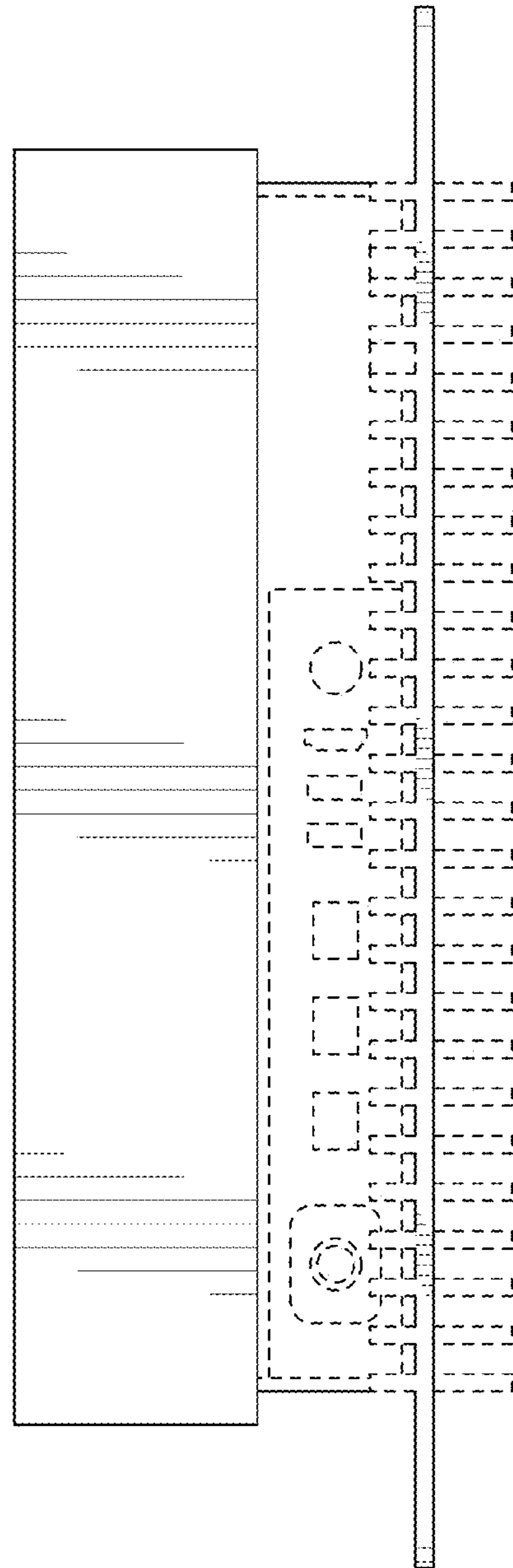


FIG. 4

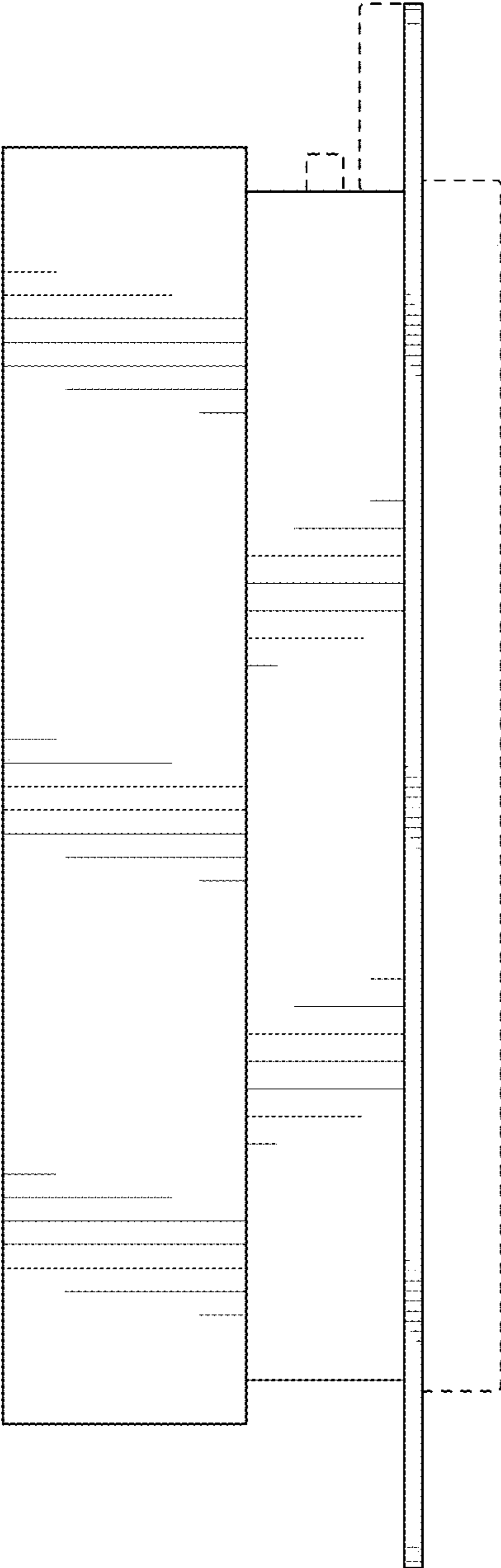


FIG. 5

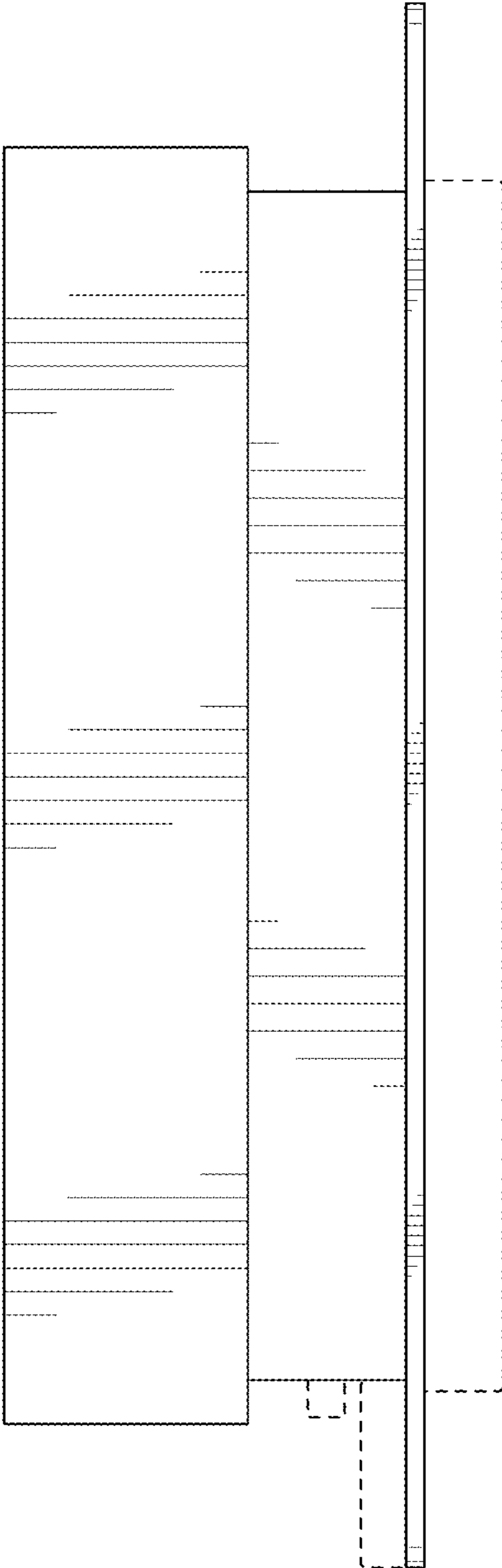
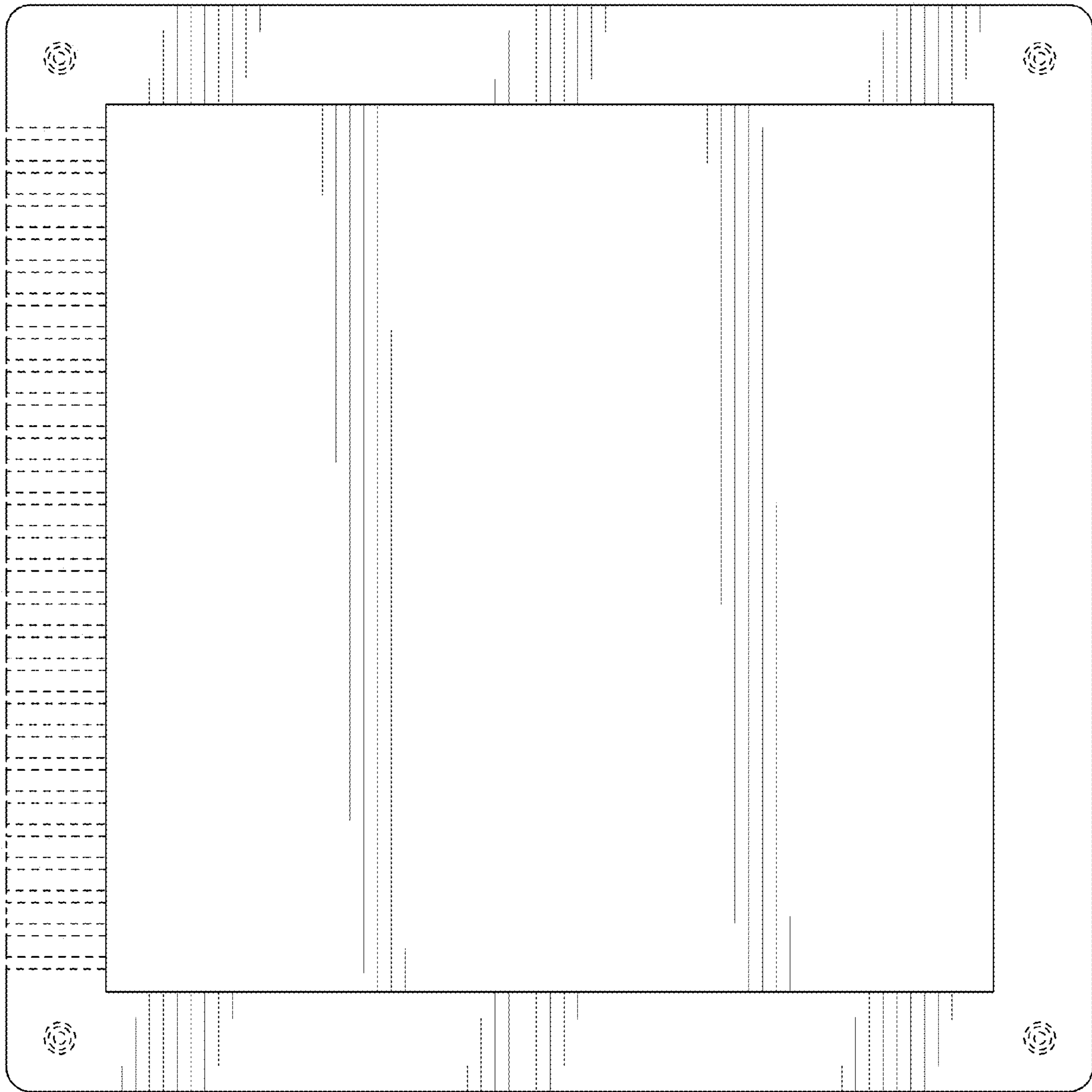


FIG. 6

FIG. 7



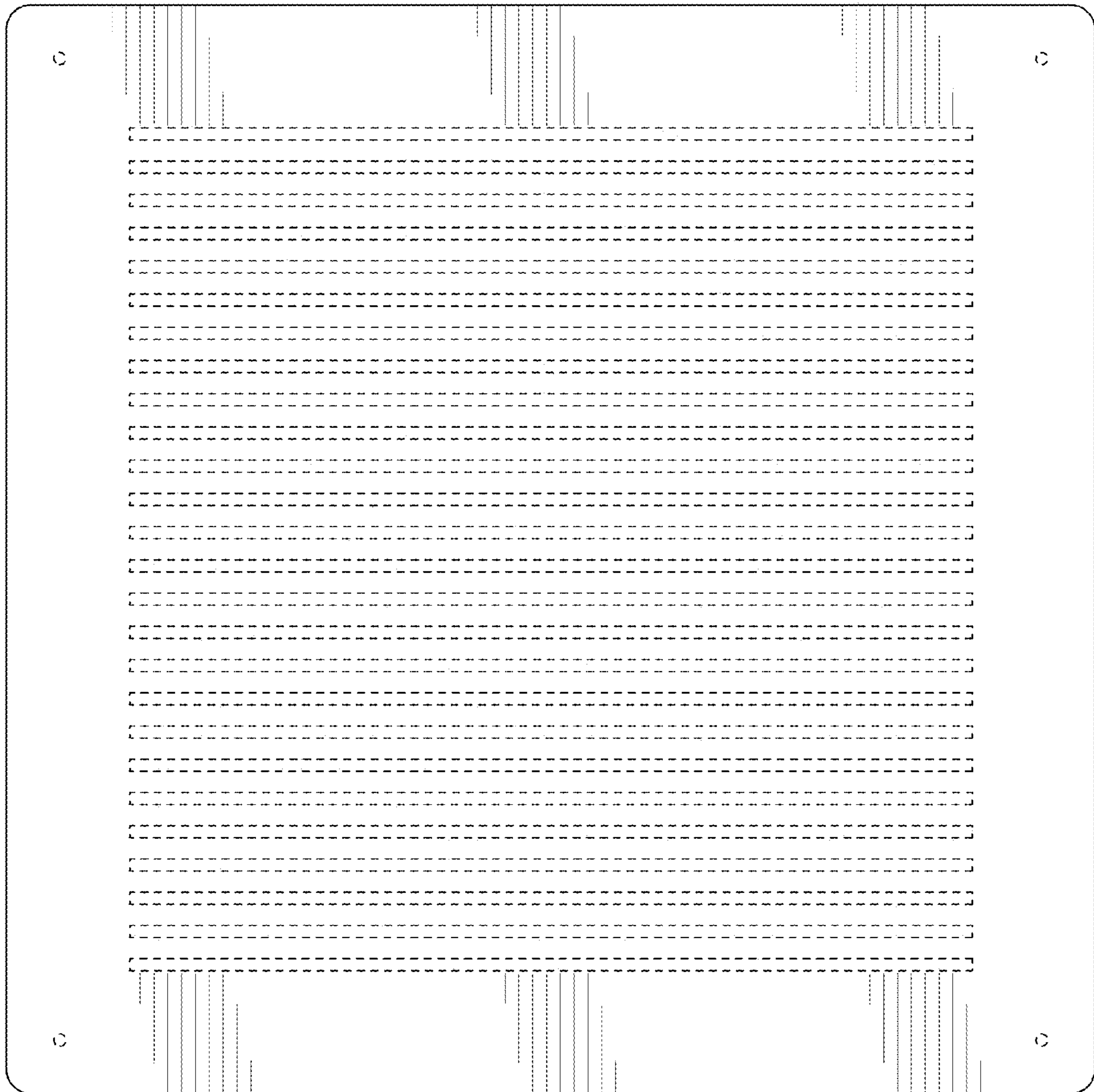


FIG. 8