



US00D951925S

(12) **United States Design Patent** (10) **Patent No.:** **US D951,925 S**
Diehl (45) **Date of Patent:** **** May 17, 2022**

- (54) **COMMUNICATION EQUIPMENT**
- (71) Applicant: **Energybox Ltd.**, Shatin (HK)
- (72) Inventor: **Holger Diehl**, Frankfurt (DE)
- (73) Assignee: **ENERGYBOX LTD.**, Shatin (HK)
- (**) Term: **15 Years**
- (21) Appl. No.: **29/725,378**
- (22) Filed: **Feb. 25, 2020**

Related U.S. Application Data

- (62) Division of application No. 29/672,606, filed on Dec. 6, 2018, now Pat. No. Des. 895,589.

(30) **Foreign Application Priority Data**

- Jun. 13, 2018 (EM) 005309598-0001
- Jun. 13, 2018 (EM) 005309598-0002
- Jun. 13, 2018 (EM) 005309598-0003
- Jun. 13, 2018 (EM) 005309598-0004

- (51) **LOC (13) Cl.** **14-03**

- (52) **U.S. Cl.**
USPC **D14/240**

- (58) **Field of Classification Search**
USPC D14/240, 242, 357, 358, 140-140.9, 155,
D14/125, 137, 139, 243, 348, 349, 351,
D14/354, 355
CPC H04L 12/00; H03K 17/00; H04W 88/00;
H04W 88/005; H04W 88/02; H04W
88/08; H04W 88/085; H04W 88/10;
H04W 88/12; H04W 88/14; H04B 1/38
See application file for complete search history.

(56) **References Cited**

U.S. PATENT DOCUMENTS

- D292,283 S * 10/1987 Matsuda D14/212
- D487,892 S * 3/2004 Ogura D14/356

- D528,105 S * 9/2006 Green D14/230
- D568,304 S 5/2008 Park
- D640,692 S * 6/2011 Waisman-Diamond D14/358
- D694,740 S 12/2013 Apostolakis
- D704,177 S * 5/2014 Chun D14/240
- D704,178 S * 5/2014 Kwak D14/240
- D725,088 S * 3/2015 Kwak D14/240
- D733,107 S 6/2015 Porter
- D743,954 S 11/2015 Chuang et al.
- D751,538 S 3/2016 Koehler
- D766,844 S 9/2016 Turksu et al.
- D806,072 S 12/2017 Gummalla et al.
- D806,709 S 1/2018 Gummalla et al.
- D812,577 S 3/2018 Turksu et al.
- D829,198 S * 9/2018 Cho D14/240
- D895,589 S * 9/2020 Diehl D14/240
- D910,001 S * 2/2021 Chang D14/240

* cited by examiner

Primary Examiner — Bridget L Eland

(74) *Attorney, Agent, or Firm* — Slater Matsil, LLP

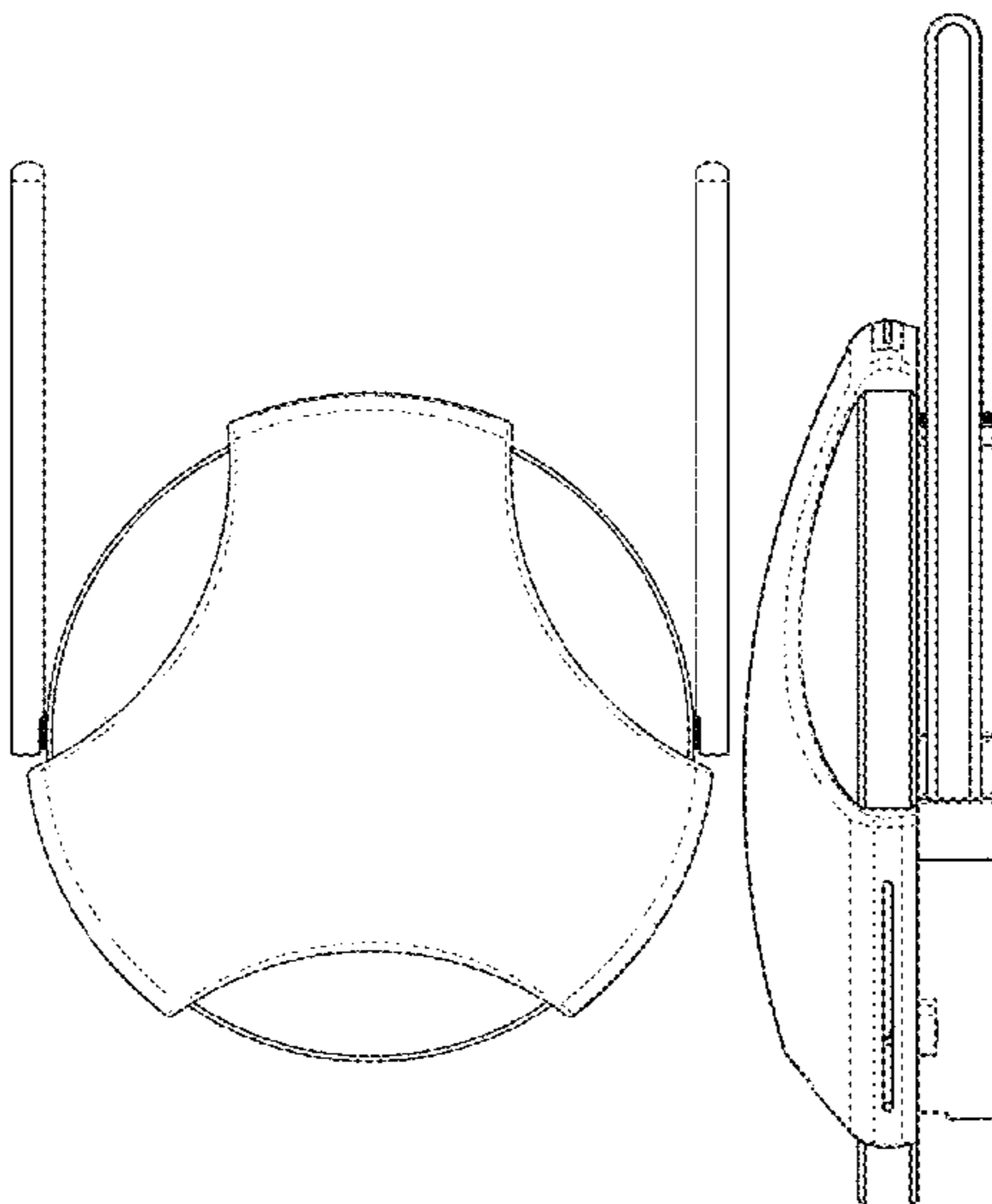
(57) **CLAIM**

The ornamental design for a communication equipment, as shown and described.

DESCRIPTION

FIG. 1 is a front perspective view of a communication equipment with antennas in a first position; FIG. 2 is a front view of the communication equipment of FIG. 1 with antennas in a second position; FIG. 3 is a rear view thereof; FIG. 4 is a bottom view thereof; FIG. 5 is a top view thereof; FIG. 6 is a right side view thereof; and, FIG. 7 is a left side view thereof. The broken lines in the drawings are for the purpose of illustrating portions of the communication equipment that form no part of the claimed design.

1 Claim, 7 Drawing Sheets



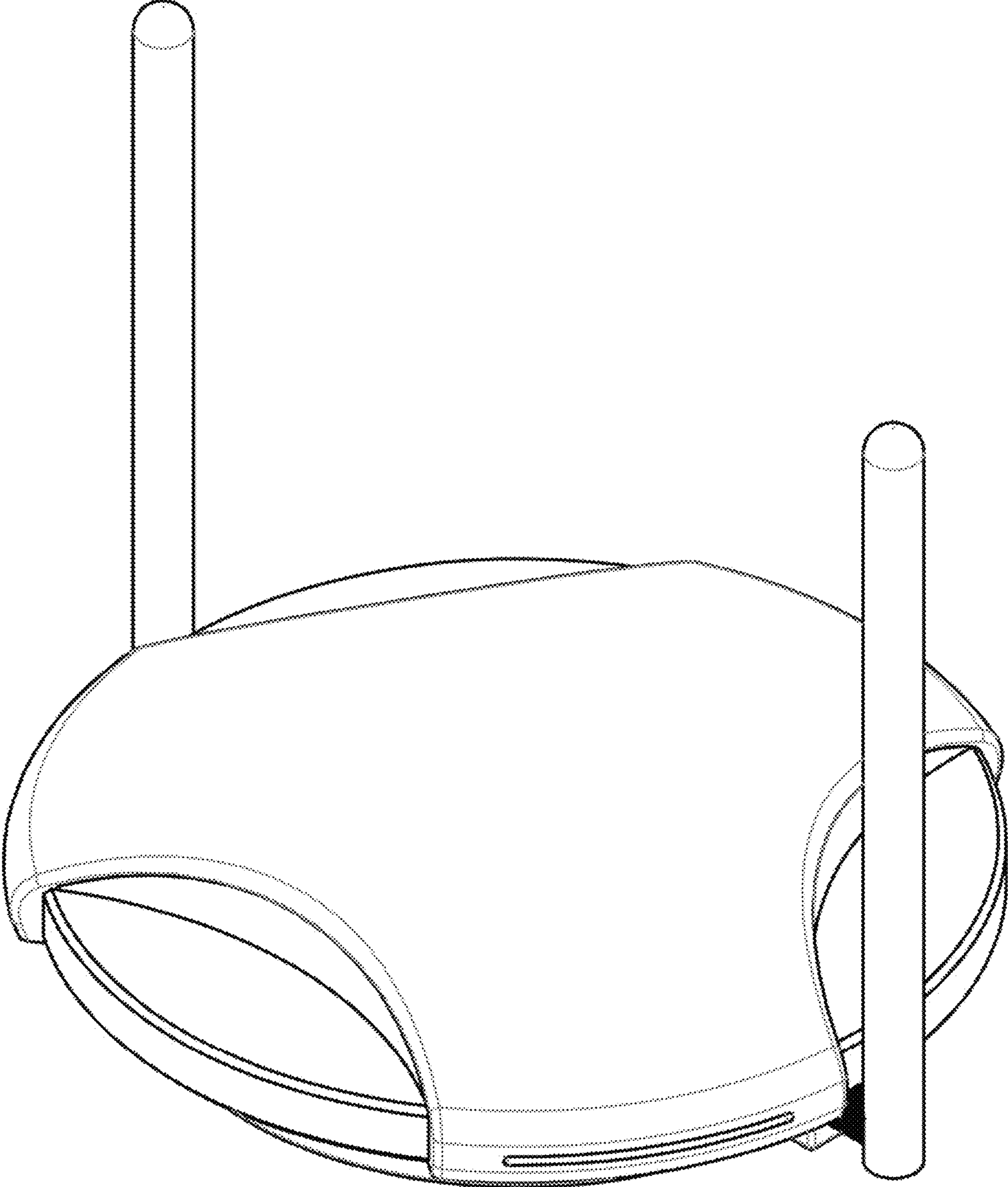


Fig. 1

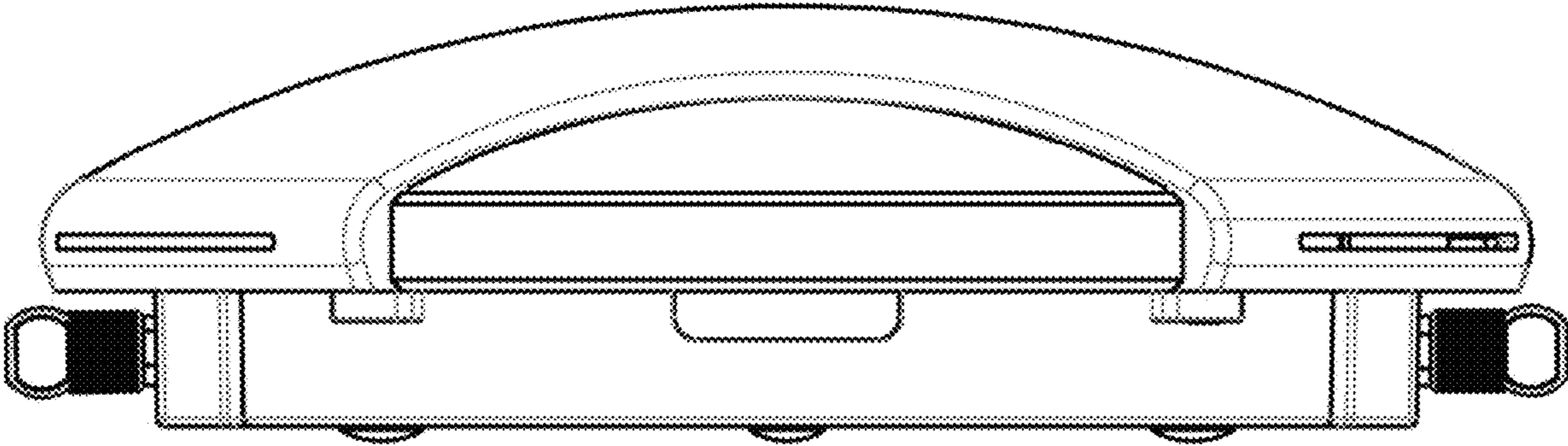


Fig. 2

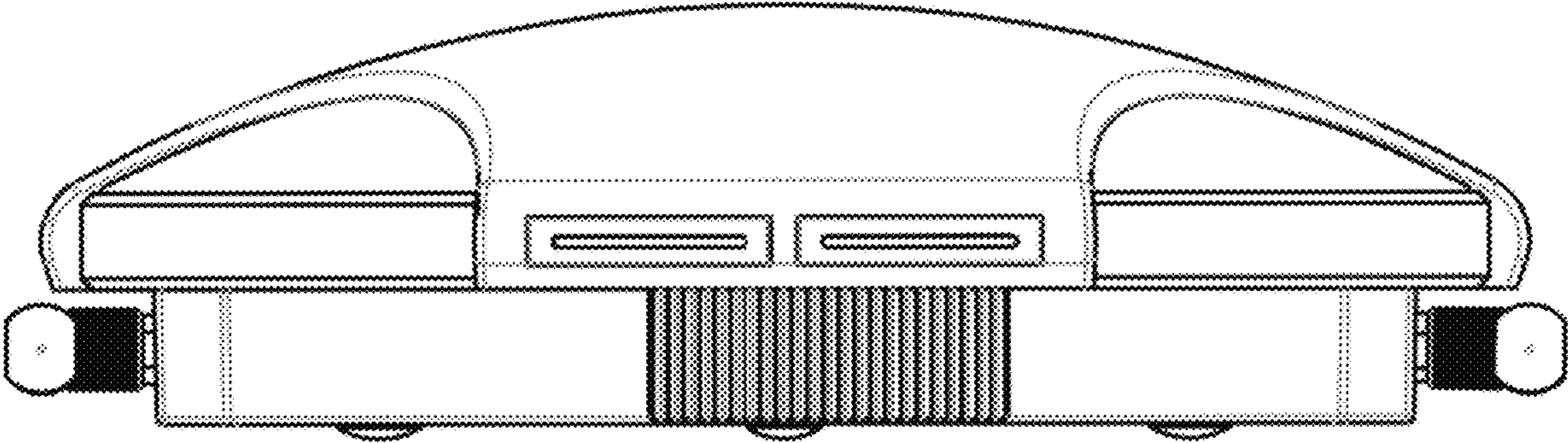


Fig. 3

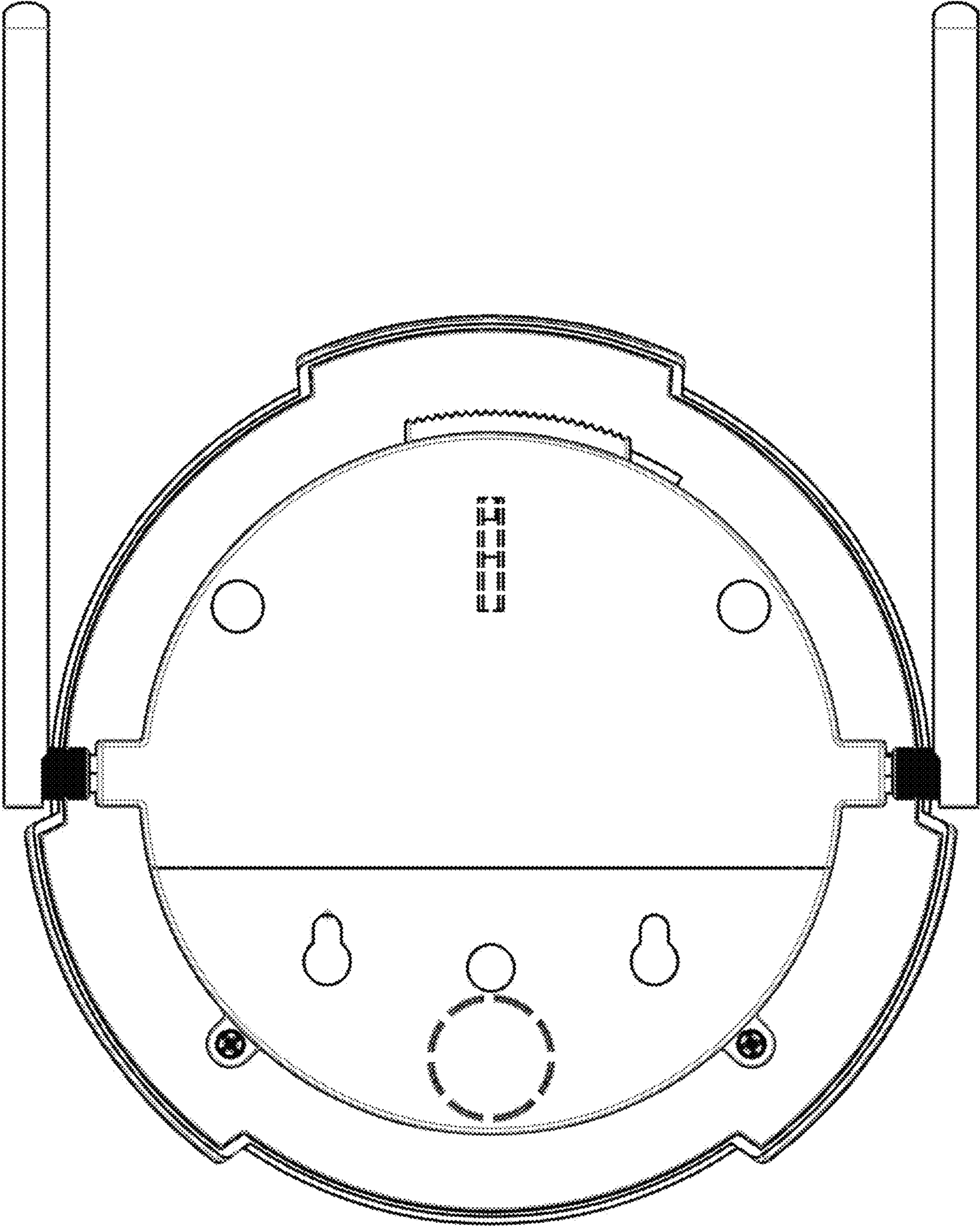


Fig. 4

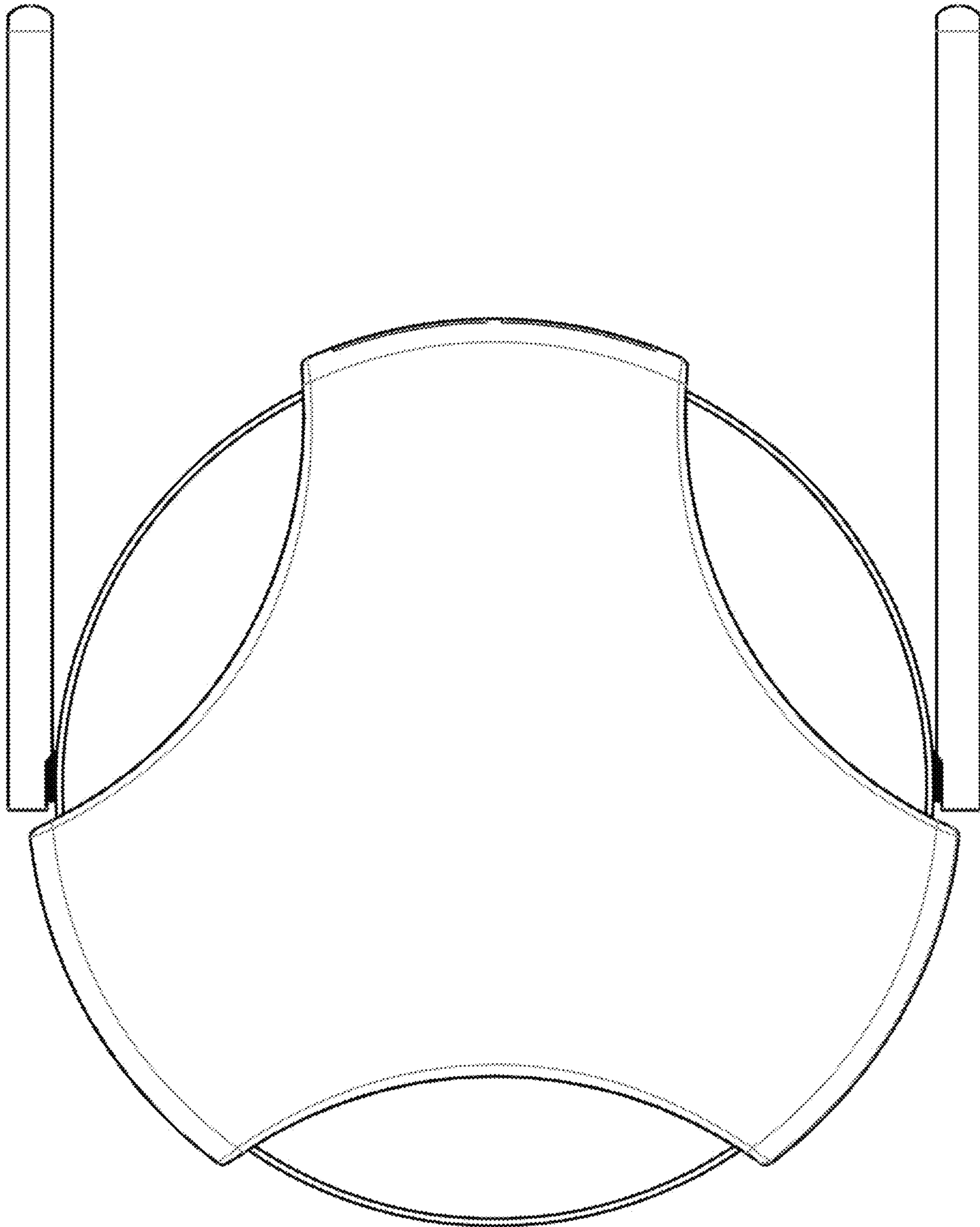


Fig. 5

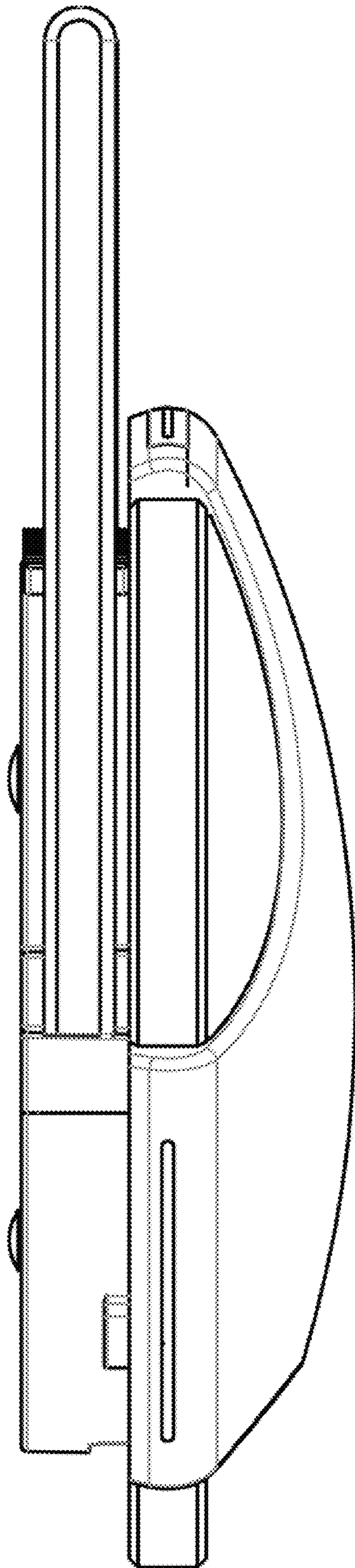


Fig. 6

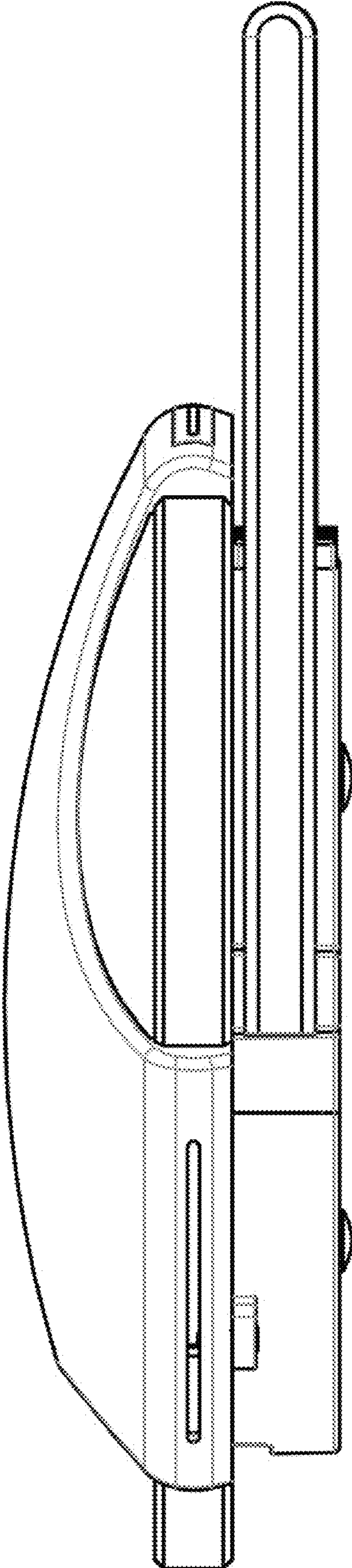


Fig. 7