



US00D951924S

(12) **United States Design Patent** (10) **Patent No.:** **US D951,924 S**  
**Baiz et al.** (45) **Date of Patent:** **\*\* May 17, 2022**

(54) **VEHICLE ANTENNA**

FOREIGN PATENT DOCUMENTS

(71) Applicants: **Enrique J Baiz**, Davie, FL (US);  
**Oswaldo Izquierdo**, Hallsville, TX (US)  
(72) Inventors: **Enrique J Baiz**, Davie, FL (US);  
**Oswaldo Izquierdo**, Hallsville, TX (US)

CN 305217931 \* 1/2019  
RU 00124065 \* 2/2021  
TR 202106504-0003 \* 11/2021

(\*\*) Term: **15 Years**

OTHER PUBLICATIONS

(21) Appl. No.: **29/759,712**

.50 Cal API Ammunition, available in xproducts.com, oldest review date Mar. 8, 2021 [site visited Dec. 27, 2021], Internet URL: <https://xproducts.com/product/50-cal-api-ammo-50-bmg> (Year: 2021).\*

(22) Filed: **Nov. 24, 2020**

(Continued)

(51) **LOC (13) Cl.** ..... **14-03**

*Primary Examiner* — Daniel J Domino

(52) **U.S. Cl.**

*Assistant Examiner* — Samina Vieth

USPC ..... **D14/230**

(74) *Attorney, Agent, or Firm* — QuickPatents, LLC;  
Kevin Prince

(58) **Field of Classification Search**

USPC ..... D14/220, 230, 232, 233, 238, 2;  
D21/572, 573; D22/103, 108  
CPC ... H01Q 1/3266; H01Q 1/3275; H01Q 1/3283  
See application file for complete search history.

(57) **CLAIM**

The ornamental design for a vehicle antenna, as shown and described.

(56) **References Cited**

U.S. PATENT DOCUMENTS

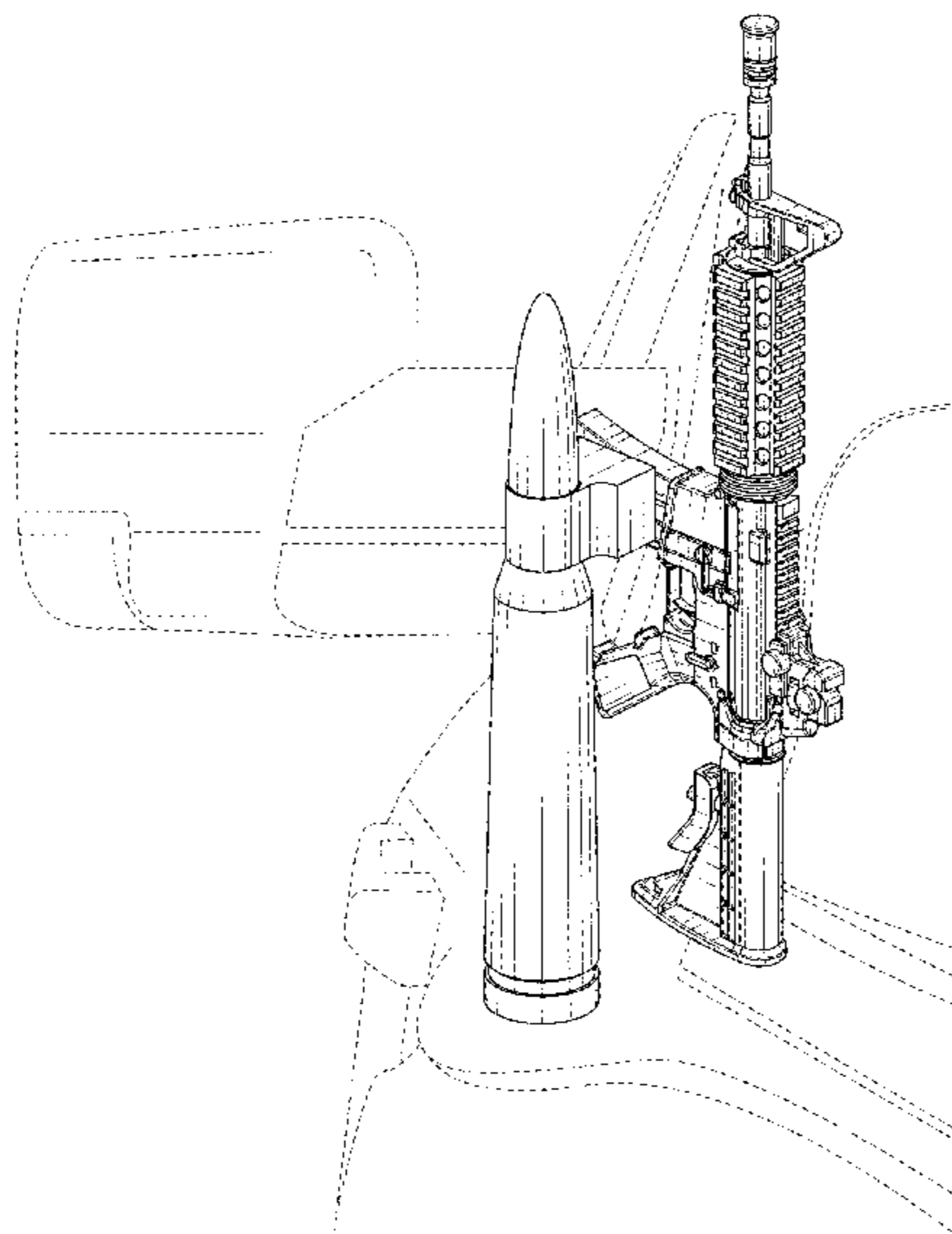
**DESCRIPTION**

948,124 A \* 2/1910 Arends ..... B43K 21/08  
401/85  
1,241,409 A \* 9/1917 Lizarraga ..... F42B 12/74  
102/501  
2,051,564 A \* 8/1936 Marra ..... F41B 7/003  
42/54  
2,200,338 A 5/1940 Mason  
2,301,764 A 11/1942 Wainwright  
2,481,823 A 9/1949 Benjamin  
2,563,540 A 8/1951 Ludwig  
2,683,416 A \* 7/1954 Keller ..... F42B 12/06  
102/513  
2,771,604 A 11/1956 Goldstein  
2,800,004 A 7/1957 Schroter  
2,836,648 A 5/1958 Cejka  
2,866,032 A 12/1958 McCloud  
2,972,744 A 2/1961 Rickards  
3,003,149 A 10/1961 Grashow

FIG. 1 is a top perspective view of a vehicle antenna, showing our new design;  
FIG. 2 is a bottom perspective view thereof;  
FIG. 3 is a front elevational view thereof;  
FIG. 4 is a rear elevational view thereof;  
FIG. 5 is a left-side elevational view thereof;  
FIG. 6 is a right-side elevational view thereof;  
FIG. 7 is a top plan view thereof; and,  
FIG. 8 is a bottom plan view thereof.  
The broken lines showing a vehicle in FIG. 1 depict environmental matter and form no part of the claimed design. The remaining broken lines illustrate portions of the vehicle antenna that form no part of the claimed design.

(Continued)

**1 Claim, 8 Drawing Sheets**



(56)

References Cited

U.S. PATENT DOCUMENTS

3,873,985 A 3/1975 Altmayer  
D290,153 S \* 6/1987 Reaume ..... D21/573  
4,734,703 A 3/1988 Nakase  
4,742,360 A 5/1988 Carolus  
4,958,163 A 9/1990 Leonard  
5,361,654 A 11/1994 Rasipovits  
5,583,522 A 12/1996 Radomski  
5,697,797 A 12/1997 Wendel  
D389,221 S \* 1/1998 Borg ..... D22/115  
5,995,066 A 11/1999 Muccioli  
6,020,854 A \* 2/2000 Jagnow ..... H01Q 1/281  
343/705  
6,098,547 A \* 8/2000 West ..... F42B 30/006  
102/214  
D435,886 S \* 1/2001 Benini ..... D22/100  
6,219,007 B1 4/2001 Kline  
D444,171 S \* 6/2001 McCullough ..... D19/154  
6,469,678 B1 10/2002 Pullen  
D546,657 S \* 7/2007 Buening ..... D8/103  
D561,746 S 2/2008 Green  
D594,914 S \* 6/2009 Choi ..... D21/573  
7,548,202 B1 \* 6/2009 Jennings ..... F42C 13/04  
342/418  
D638,887 S \* 5/2011 En ..... D21/573  
D646,179 S \* 10/2011 Jansen ..... D9/680  
8,161,885 B1 \* 4/2012 Emary ..... F42B 30/02  
102/506  
8,210,090 B2 \* 7/2012 Brown ..... F41A 29/00  
89/193  
D680,611 S \* 4/2013 Emde ..... D22/103  
D703,016 S \* 4/2014 Crane ..... D8/38  
D729,880 S \* 5/2015 Nichols ..... D21/573  
D739,195 S \* 9/2015 Scharch ..... D8/38  
D747,422 S \* 1/2016 Chu ..... D21/573  
D759,189 S \* 6/2016 Pederson ..... D22/116  
D766,380 S \* 9/2016 Crye ..... D21/573  
D778,384 S \* 2/2017 Zlobin ..... D22/103  
9,574,852 B1 \* 2/2017 McKillips ..... F41G 11/003  
D780,508 S \* 3/2017 Crane ..... D7/395  
D791,264 S \* 7/2017 Burczynski ..... D22/115  
D791,265 S \* 7/2017 Burczynski ..... D22/115  
D801,166 S \* 10/2017 Baiz ..... D8/397  
D803,955 S \* 11/2017 Martelli ..... D21/573  
D814,695 S \* 4/2018 Petteys ..... D27/195  
D814,907 S \* 4/2018 Baiz ..... D8/356  
D814,913 S 4/2018 Baiz  
D821,187 S \* 6/2018 Baiz ..... D8/387  
D821,369 S 6/2018 Baiz  
D8,211,187 6/2018 Baiz  
10,054,379 B2 \* 8/2018 Lammers ..... F41A 17/64

10,088,268 B2 \* 10/2018 Hewes ..... F41C 23/14  
D832,718 S \* 11/2018 Aboabdo ..... D9/680  
D836,457 S \* 12/2018 Johnson ..... D9/680  
D847,799 S 5/2019 Radey  
D868,190 S \* 11/2019 Laney ..... D22/103  
D869,286 S \* 12/2019 Aboabdo ..... D9/680  
D870,842 S 12/2019 Fitzsimonds  
D878,178 S \* 3/2020 Cheng ..... D8/47  
D882,704 S \* 4/2020 Iwasawa ..... D21/573  
10,675,929 B1 6/2020 Baiz  
D895,046 S \* 9/2020 Easley ..... D22/108  
D896,801 S \* 9/2020 Baiz ..... D14/232  
D898,855 S \* 10/2020 Chin ..... D22/108  
10,819,003 B1 \* 10/2020 Baiz ..... H01Q 1/3275  
D903,032 S \* 11/2020 Swoboda ..... D22/103  
D916,224 S \* 4/2021 Laney ..... D22/103  
D916,225 S \* 4/2021 Laney ..... D22/103  
2002/0036594 A1 3/2002 Gyenes  
2007/0204758 A1 \* 9/2007 Spatz ..... F42B 12/74  
102/514  
2010/0263565 A1 \* 10/2010 Hugus, IV ..... F42B 12/44  
102/364  
2012/0106170 A1 \* 5/2012 Matthews ..... F41G 1/30  
362/311.06  
2012/0297656 A1 \* 11/2012 Langevin ..... F41A 3/66  
42/16  
2014/0015717 A1 1/2014 Kowalewicz  
2014/0062814 A1 3/2014 Gyenes  
2015/0007698 A1 \* 1/2015 Crane ..... B67B 7/16  
81/3.55  
2016/0116250 A1 \* 4/2016 Mather ..... F41C 23/04  
42/73  
2016/0187092 A1 \* 6/2016 Mather ..... F41A 3/66  
42/69.02  
2016/0207406 A1 7/2016 Kauffman  
2017/0059273 A1 \* 3/2017 Geissele ..... F41C 23/16

OTHER PUBLICATIONS

Bullet Antenna for Jeep Wrangler . . . , available at ebay.com, first available Jan. 26, 2021 [site visited Dec. 27, 2021], Internet URL: <https://www.ebay.com/itm/114649440004> (Year: 2021).\*

GoatGuns Miniature AR15 Model . . . , available at amazon.com, oldest reveiw date Oct. 10, 2019 [site visited Dec. 27, 2021], Internet URL: [https://www.amazon.com/GoatGuns-Miniature-Model-Scale-Build/dp/B07W57YB5T/ref=cm\\_cr\\_arp\\_d\\_pl\\_foot\\_top?ie=UTF8](https://www.amazon.com/GoatGuns-Miniature-Model-Scale-Build/dp/B07W57YB5T/ref=cm_cr_arp_d_pl_foot_top?ie=UTF8) (Year: 2019).\*

50 Caliber Machine Gun . . . , available at pennstateind.com, oldest review date Dec. 28, 2014, [site visited Dec. 27, 2021], Internet URL: <https://www.pennstateind.com/store/PK50RBX.html> (Year: 2014).\*

\* cited by examiner

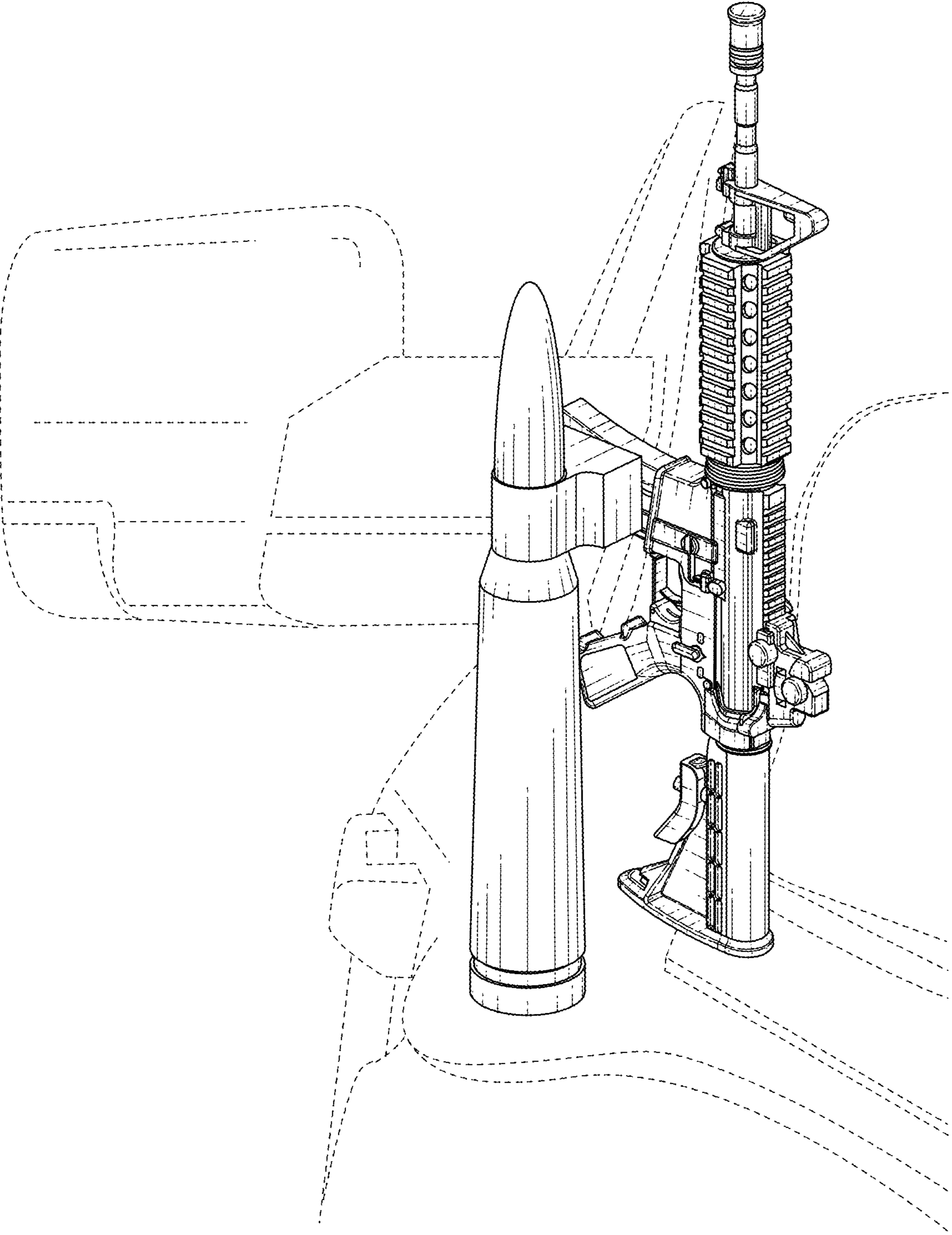


FIG. 1

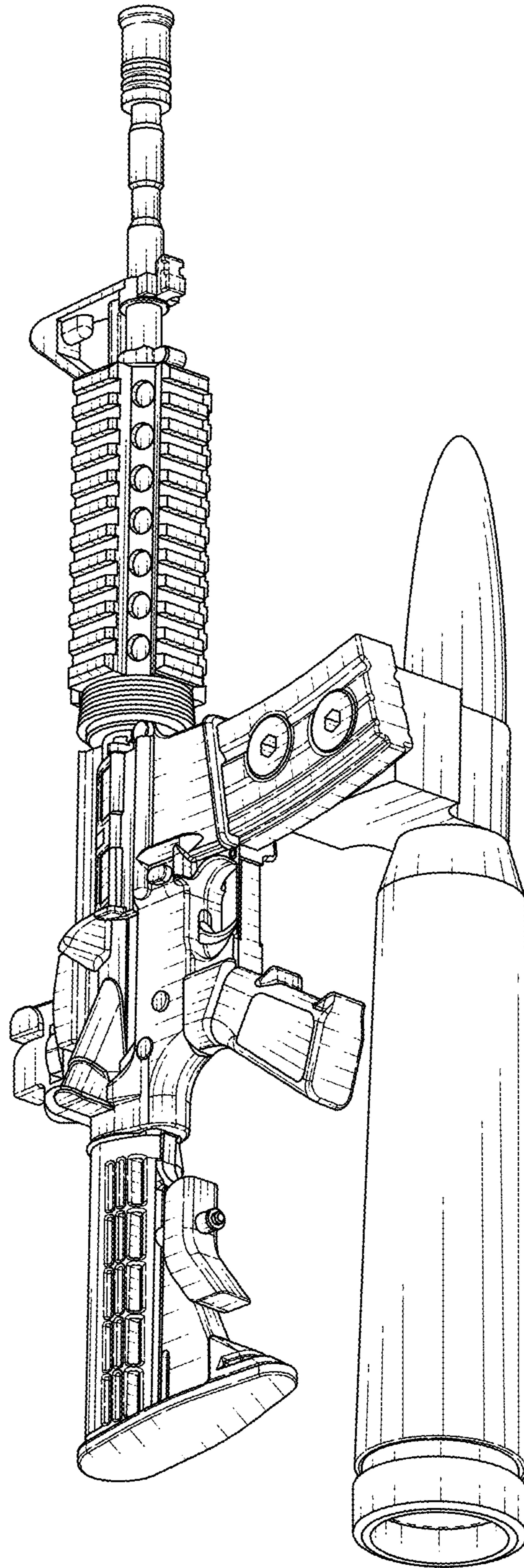


FIG. 2

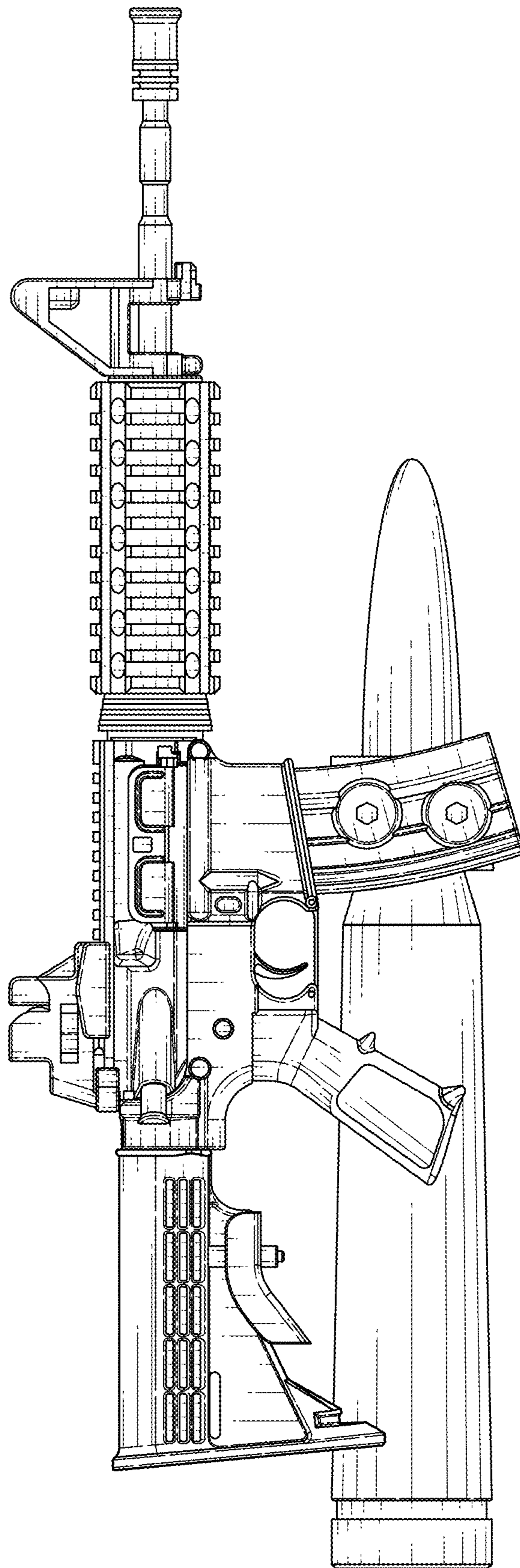


FIG. 3

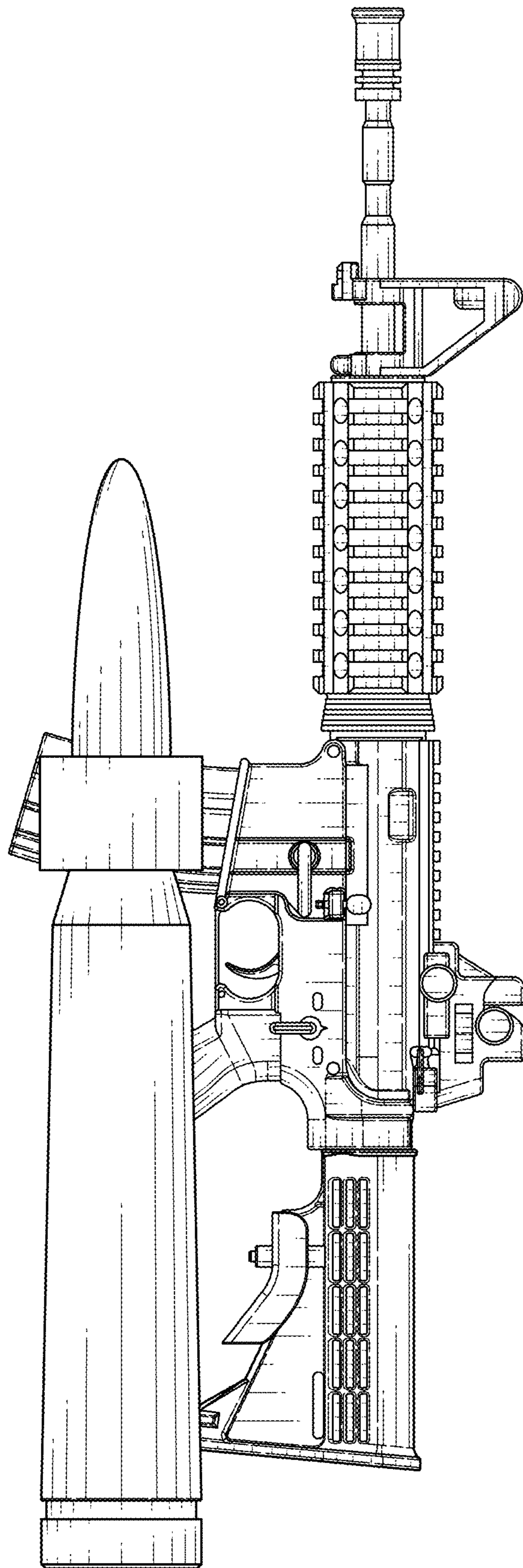


FIG. 4

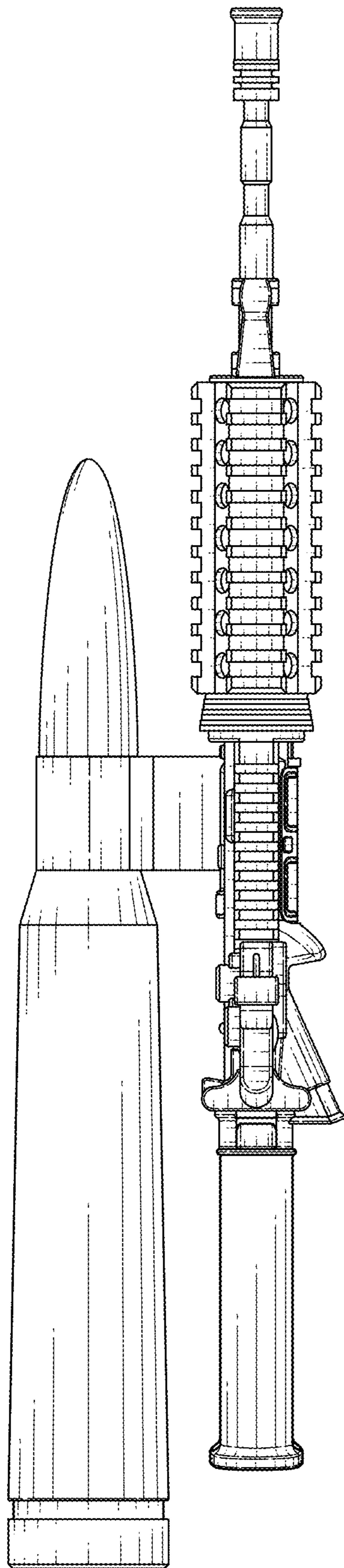


FIG. 5

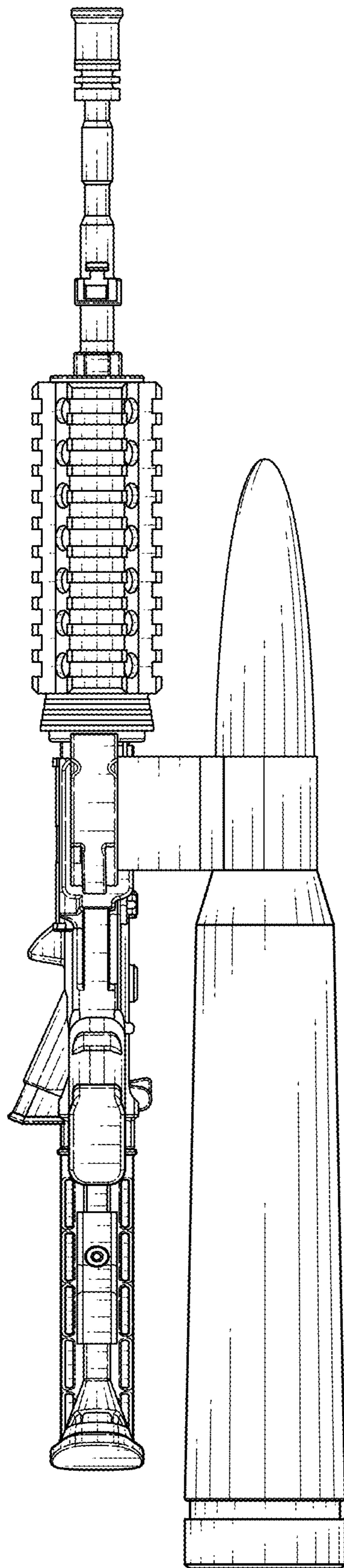


FIG. 6



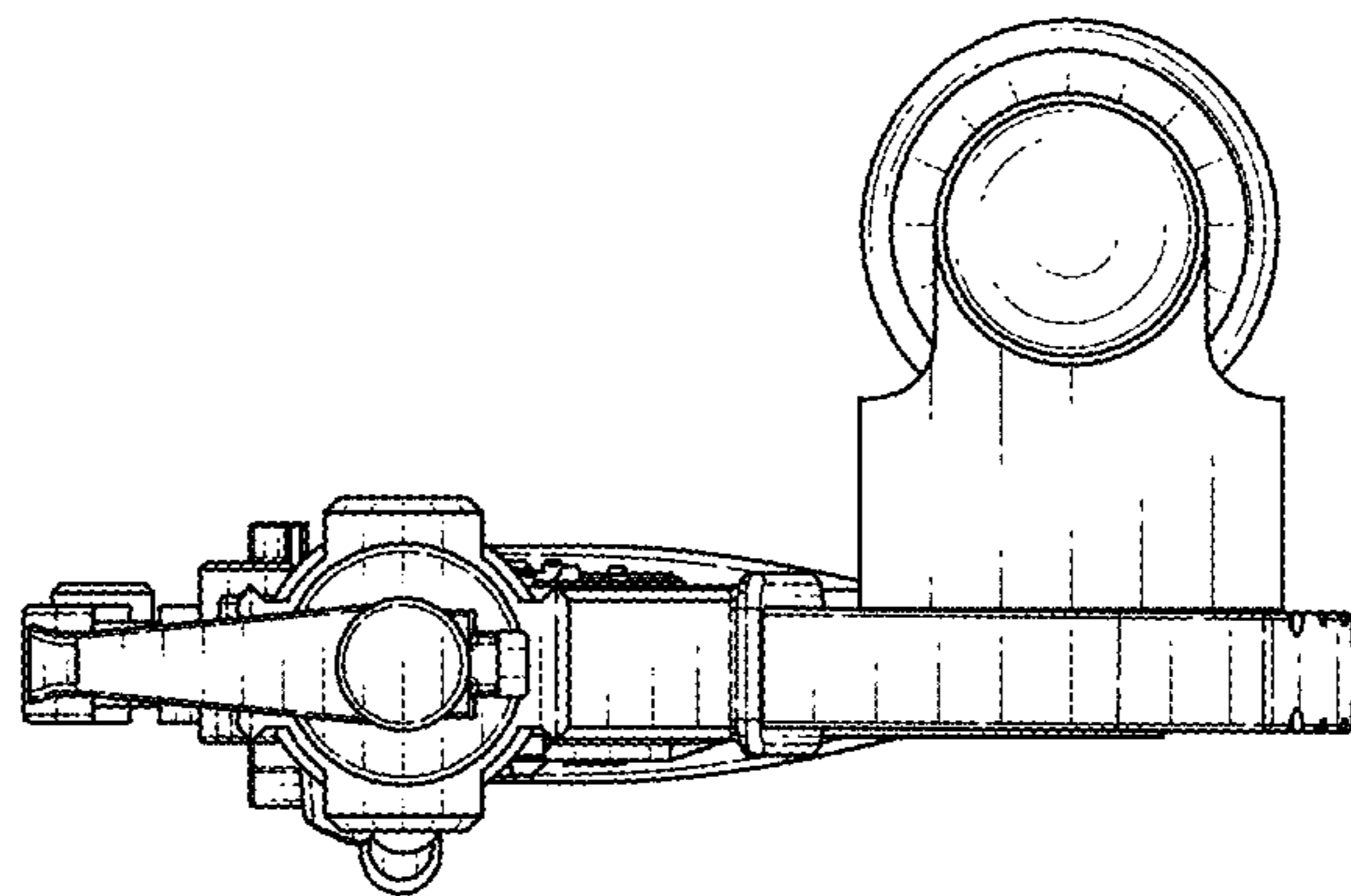


FIG. 7

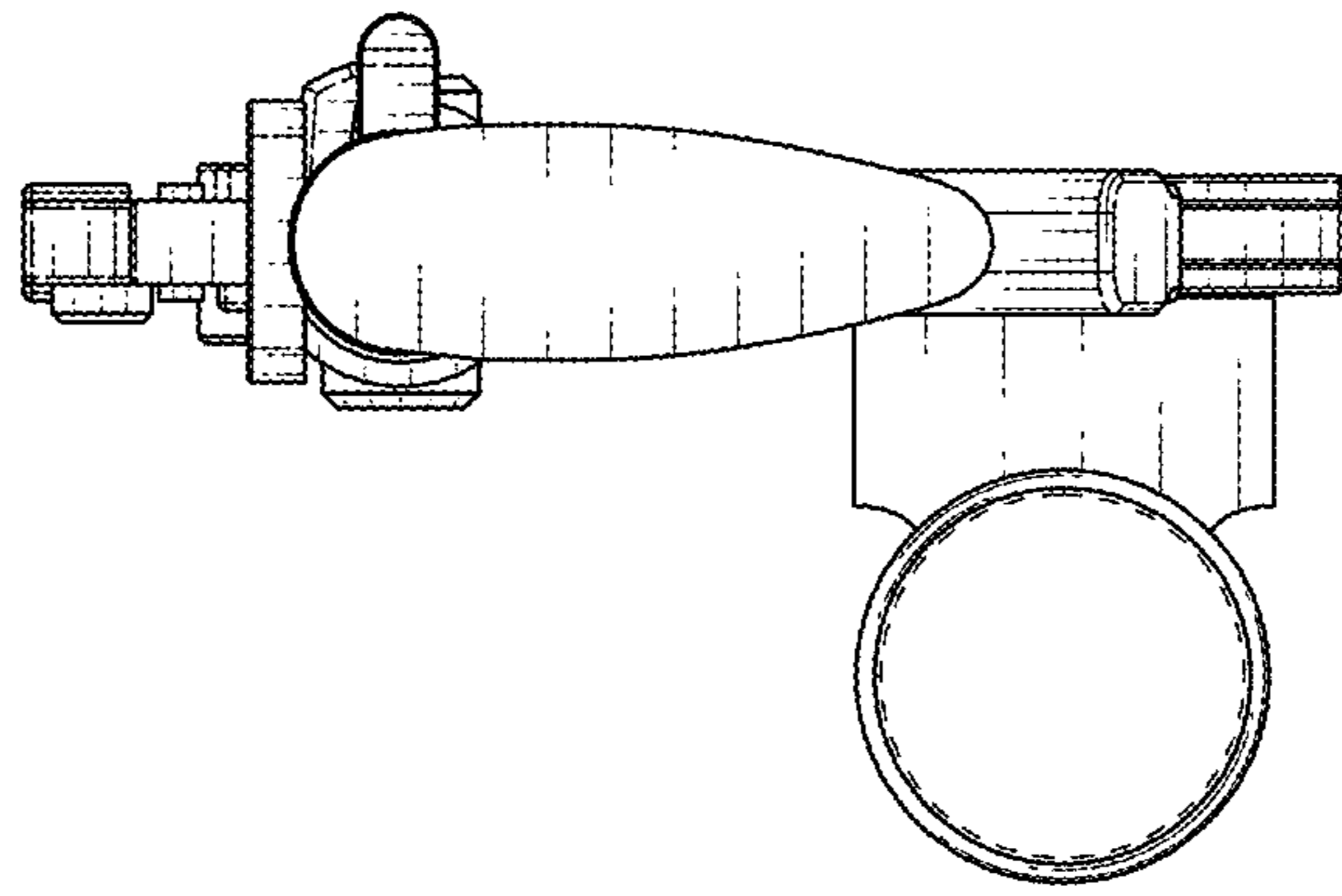


FIG. 8