



US00D951922S

(12) **United States Design Patent**
Nakagawa

(10) **Patent No.:** **US D951,922 S**
(45) **Date of Patent:** **** May 17, 2022**

(54) **MICROPHONE**
(71) Applicant: **ICOM INCORPORATED**, Osaka (JP)
(72) Inventor: **Masashi Nakagawa**, Osaka (JP)
(73) Assignee: **ICOM INCORPORATED**, Osaka (JP)
(**) Term: **15 Years**

D302,423 S * 7/1989 Martensson D14/138 AA
D307,907 S * 5/1990 Siddoway D14/225
5,086,509 A * 2/1992 Inubushi H01M 50/20
455/575.8
D324,518 S * 3/1992 Ichimura D14/137
5,249,235 A * 9/1993 Davis, II H04R 1/08
381/357
D376,599 S * 12/1996 Lindeman D14/225
D388,094 S * 12/1997 Tokiyama D14/204
5,701,355 A * 12/1997 Brannan H04R 1/08
381/361

(21) Appl. No.: **29/765,203**

(Continued)

(22) Filed: **Jan. 6, 2021**

FOREIGN PATENT DOCUMENTS

(30) **Foreign Application Priority Data**

CA 188266 * 3/2021
CN 306611799 * 6/2021

Jul. 8, 2020 (JP) 2020-013999 D

(Continued)

(51) **LOC (13) Cl.** **14-01**

Primary Examiner — Paula Allen Greene

(52) **U.S. Cl.**
USPC **D14/225**

(74) *Attorney, Agent, or Firm* — Birch, Stewart, Kolasch & Birch, LLP

(58) **Field of Classification Search**
USPC D14/225, 227, 192, 188, 147, 137–138,
D14/218; D21/483; 381/380, 381;
455/90.3, 575.1, 569.1
CPC H04R 25/00; H04R 25/02; H04R 1/02;
H04R 9/08; H04B 1/3822
See application file for complete search history.

(57) **CLAIM**

The ornamental design for a microphone, as shown and described.

(56) **References Cited**

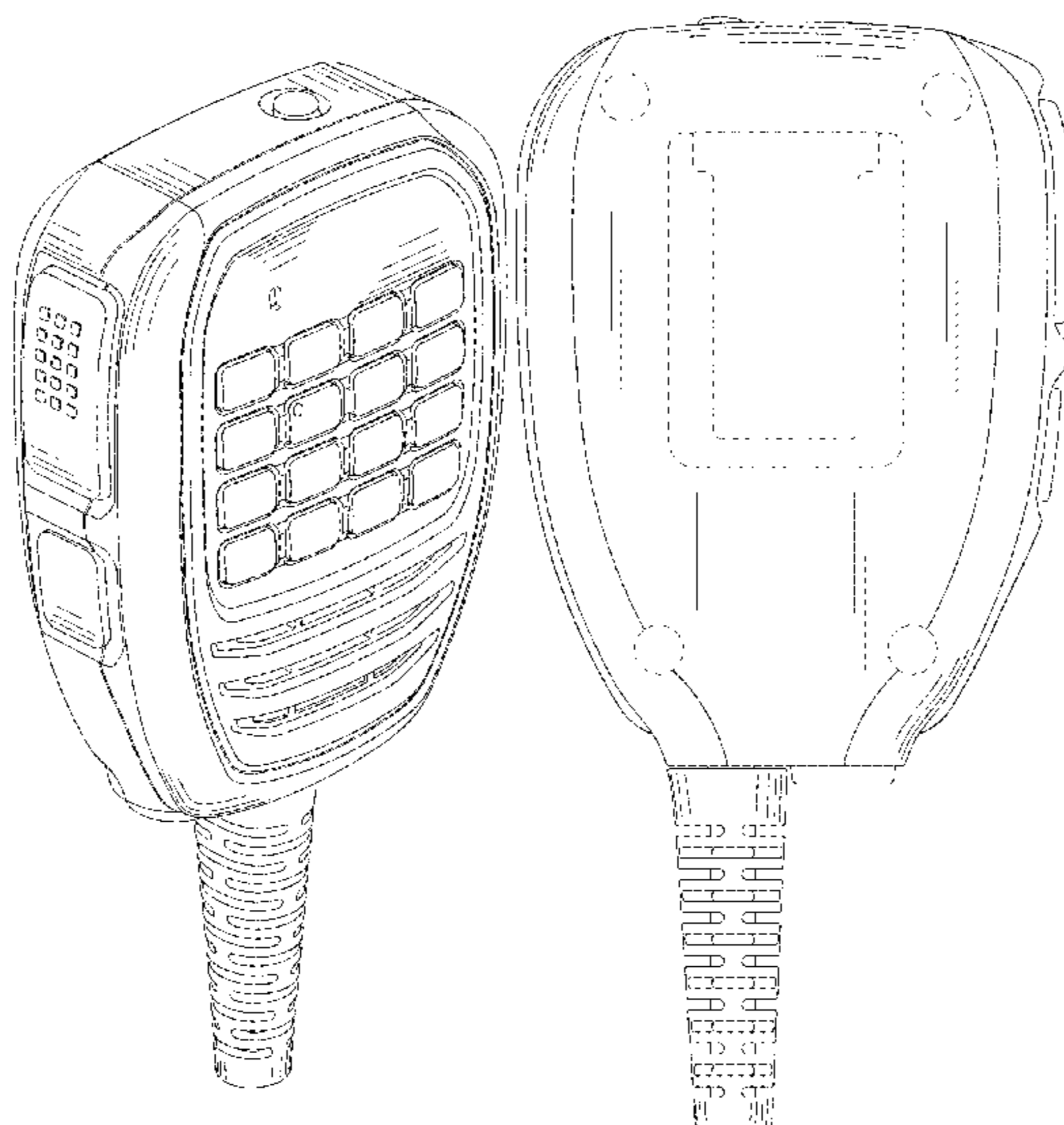
DESCRIPTION

U.S. PATENT DOCUMENTS

FIG. 1 is a perspective view of a microphone showing our new design;
FIG. 2 is a front view thereof;
FIG. 3 is a rear view thereof;
FIG. 4 is a left side view thereof;
FIG. 5 is a right side view thereof;
FIG. 6 is a top view thereof; and,
FIG. 7 is a bottom view thereof.
The broken lines depict portions of the microphone in which the design is embodiment that form no part of the claimed design.

D155,270 S * 9/1949 Burroughs D14/227
2,963,577 A * 12/1960 Errichiello H04B 1/086
361/814
4,142,312 A * 3/1979 Stokes H04M 1/21
455/550.1
4,199,721 A * 4/1980 Ono H04B 1/3822
455/77
D259,564 S * 6/1981 Huntington D14/137
D276,159 S * 10/1984 Huntington D14/137
D282,661 S * 2/1986 Imazeki D14/137
4,718,110 A * 1/1988 Schaefer H04B 1/38
455/349
D302,161 S * 7/1989 Siddoway D14/137

1 Claim, 5 Drawing Sheets



(56)

References Cited

U.S. PATENT DOCUMENTS

D440,560 S * 4/2001 Tokiyama D14/225
 D467,889 S * 12/2002 Cebe D14/137
 D477,816 S * 7/2003 Yahaya D14/137
 D499,391 S * 12/2004 Robertson, Jr. D14/137
 D503,398 S * 3/2005 Haase D14/225
 D515,558 S * 2/2006 Case D10/106.1
 D526,993 S * 8/2006 Richards D14/188
 D530,313 S * 10/2006 Leng D14/225
 D540,763 S * 4/2007 Liang D14/129
 D540,765 S * 4/2007 Pritchard D14/137
 D566,075 S * 4/2008 Leng D14/137
 D569,853 S * 5/2008 Nishida D14/225
 D576,157 S * 9/2008 Nishizawa D14/225
 D598,876 S * 8/2009 Leng D14/137
 D632,679 S * 2/2011 Emge D14/225
 D662,090 S * 6/2012 Richards D14/226
 D718,746 S * 12/2014 Tran D14/137
 D718,747 S * 12/2014 Tran D14/137
 D720,726 S * 1/2015 Yu D14/225
 D725,085 S * 3/2015 Barker D14/137

D743,950 S * 11/2015 Derdzinski D14/225
 D744,457 S * 12/2015 Vuorio D14/226
 D744,458 S * 12/2015 Derdzinski D14/226
 D843,337 S * 3/2019 Nakagawa D14/137
 D881,851 S * 4/2020 Tran D14/225
 D883,263 S * 5/2020 Page D14/225
 2001/0054217 A1* 12/2001 Wang A45F 5/02
 24/3.1
 2003/0027606 A1* 2/2003 Tsai H04M 1/05
 455/575.2
 2016/0150303 A1* 5/2016 Tan H04W 4/10
 381/334

FOREIGN PATENT DOCUMENTS

GB 9005831773-0008 * 11/2018
 JP D1549545 * 4/2016
 JP D1549545 5/2016
 JP D1550080 5/2016
 JP D1667201 * 8/2020
 JP D1677704 * 1/2021

* cited by examiner

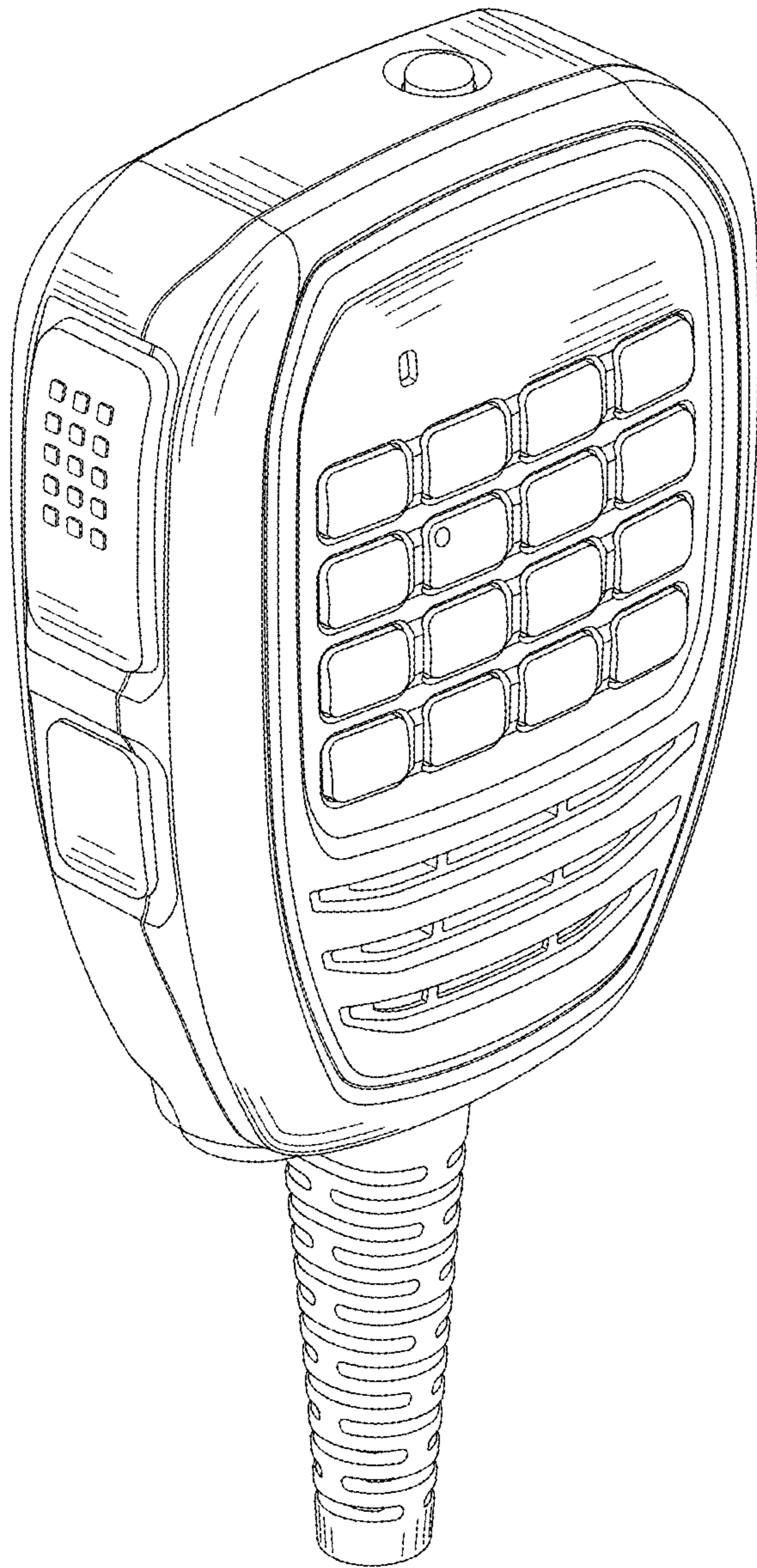


FIG. 1

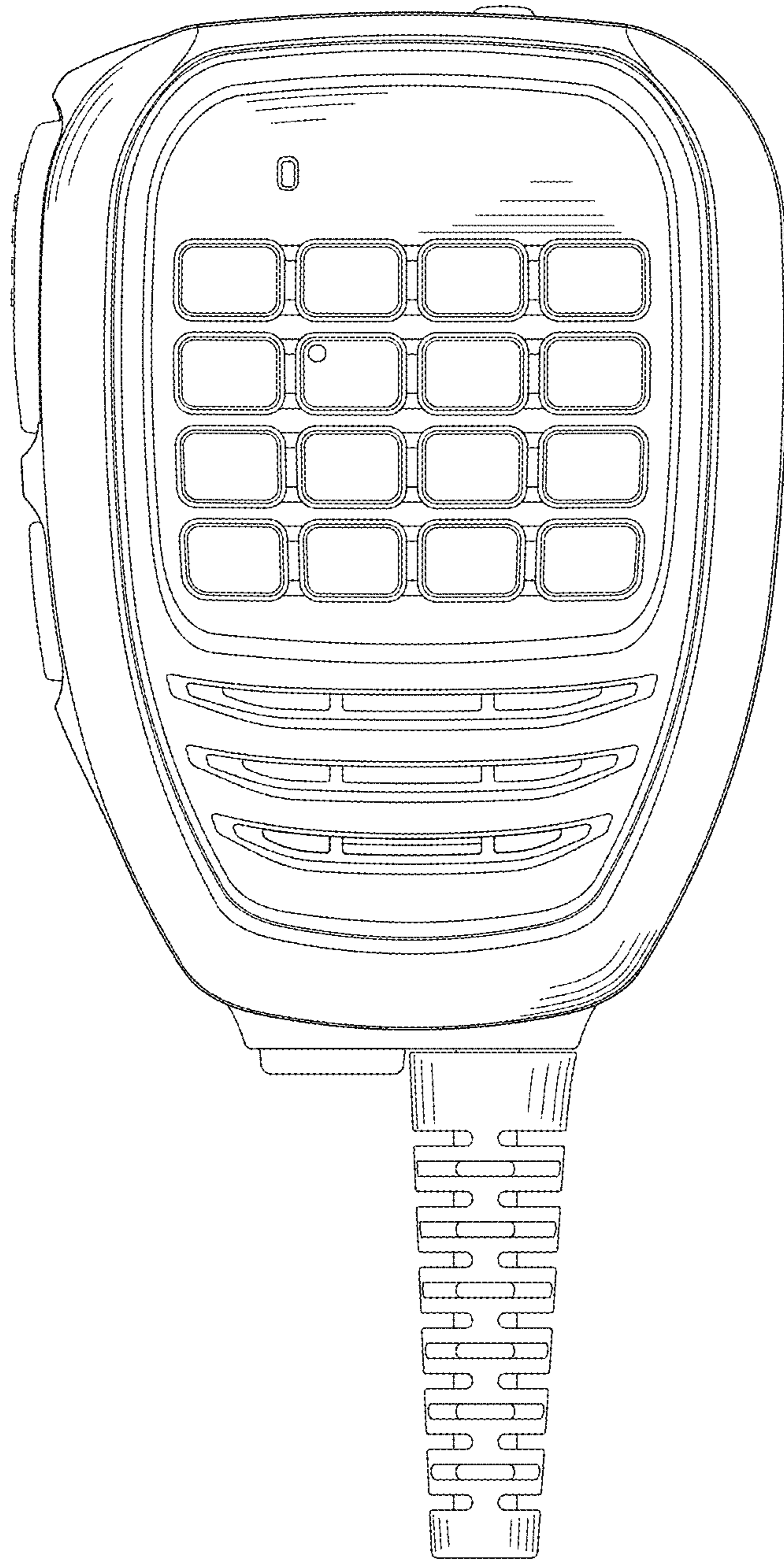


FIG.2

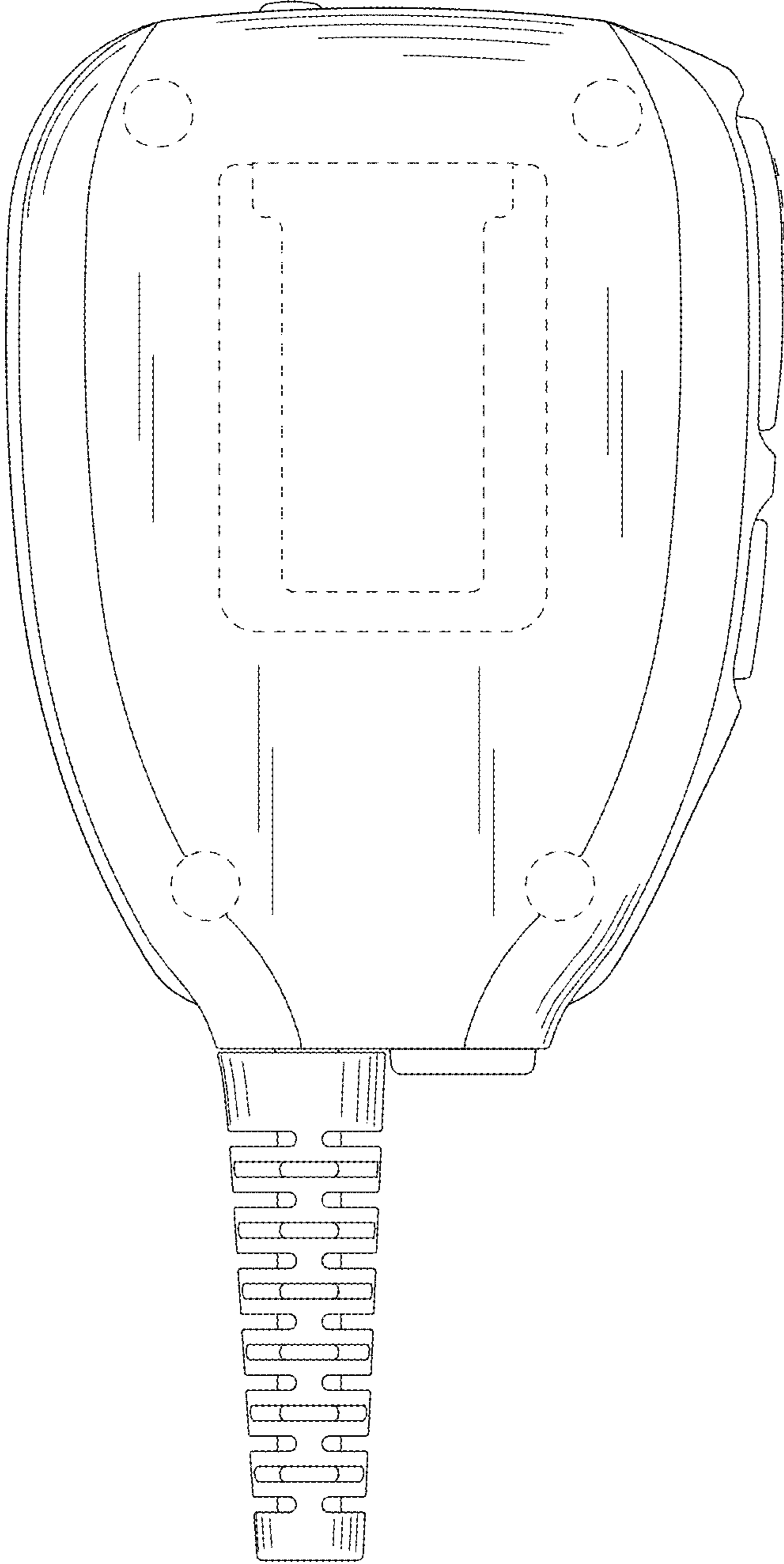


FIG.3

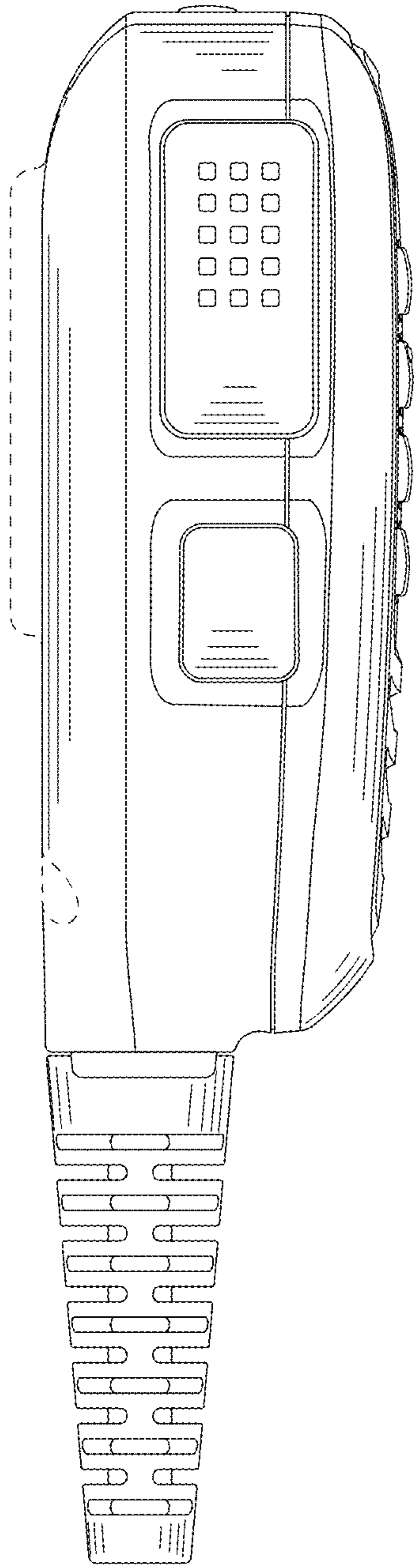


FIG.4

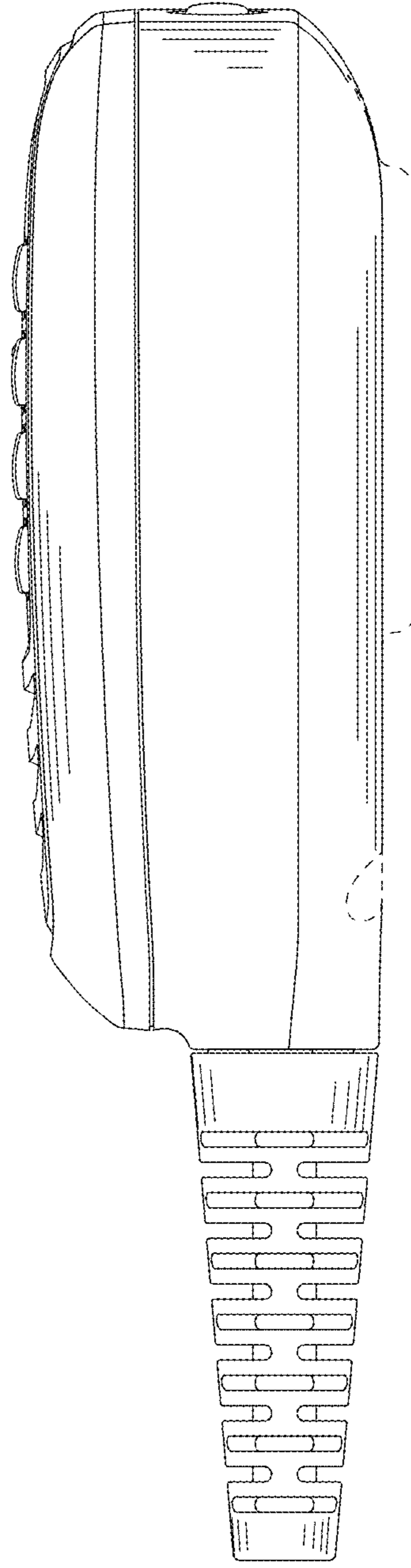


FIG.5

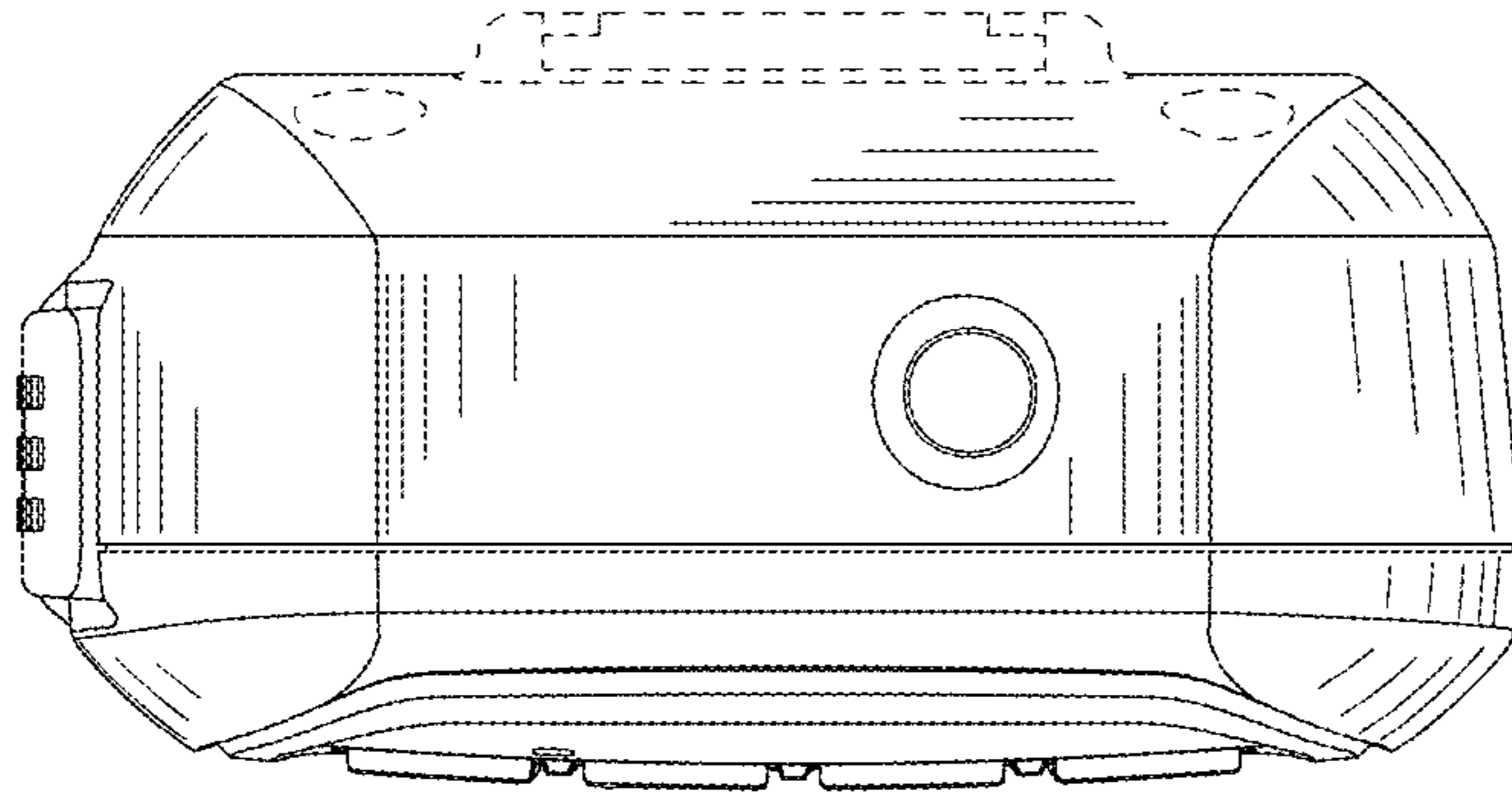


FIG. 6

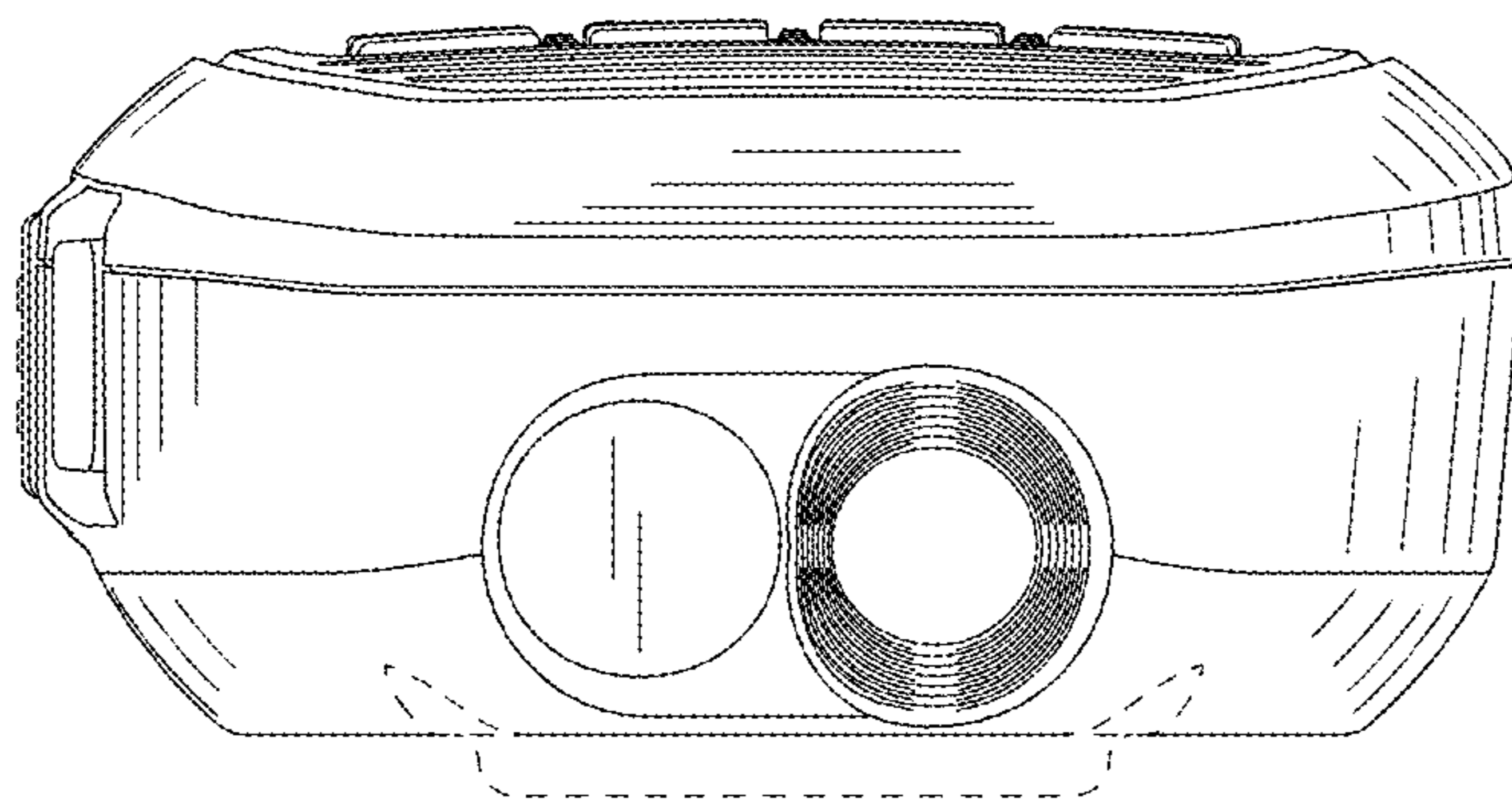


FIG. 7