



US00D951921S

(12) **United States Design Patent** (10) **Patent No.:** **US D951,921 S**
Li (45) **Date of Patent:** **** May 17, 2022**

(54) **MICROPHONE**

FOREIGN PATENT DOCUMENTS

(71) Applicant: **Dapeng Li**, Guangdong (CN)

CN 306847173 * 9/2021
CN 306855488 * 9/2021

(72) Inventor: **Dapeng Li**, Guangdong (CN)

(**) Term: **15 Years**

OTHER PUBLICATIONS

(21) Appl. No.: **29/748,395**

Lewitt LCT 240 Pro, first available May 8, 2017 [online], [retrieved Feb. 14, 2022]. Available from the Internet, URL:<https://www.amazon.com/dp/B072F5J32C/ref=cm_sw_em_r_mt_dp_GQQP6PYSP9MP2TREKNKC>. (Year: 2017).*

(22) Filed: **Aug. 28, 2020**

(Continued)

(51) **LOC (13) Cl.** **14-01**

(52) **U.S. Cl.**
USPC **D14/225**

(58) **Field of Classification Search**
USPC D14/150, 154, 155, 158, 160, 172, 221,
D14/224, 225, 226, 227, 228, 229;
D17/99; D21/405, 513
CPC H04R 19/00; H04R 19/04; H04R 1/04;
H04R 1/08; H04R 1/326; H04R 1/406;
H04R 29/004; H04R 2410/00; H04R
2410/01; H04R 2410/03; H04R 2410/05;
H04R 2410/07; H04R 2420/07; H04R
17/02

Primary Examiner — Barbara Fox
Assistant Examiner — Russell Carnell Smith, Jr.
(74) *Attorney, Agent, or Firm* — ScienBiziP, P.C.

See application file for complete search history.

(57) **CLAIM**

The ornamental design for a microphone, as shown and described.

(56) **References Cited**

DESCRIPTION

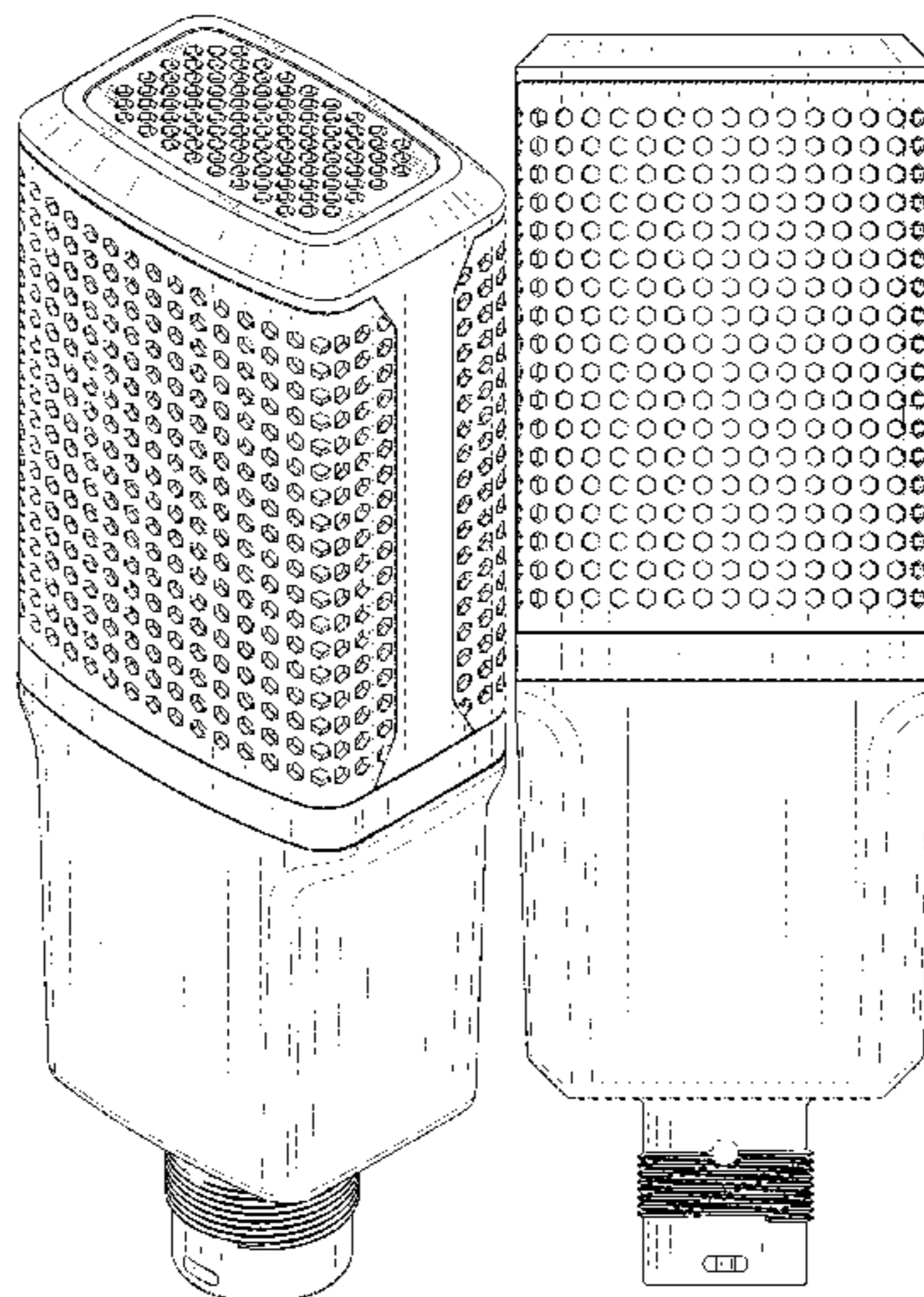
U.S. PATENT DOCUMENTS

D112,756 S * 12/1938 Marshall D14/225
D150,458 S * 8/1948 Pike D14/227
D171,055 S * 12/1953 Schell, Jr. D14/225
D185,712 S * 7/1959 Kamp D14/225
5,357,577 A * 10/1994 Waji H01J 7/24
381/115
D589,029 S * 3/2009 Lee D14/207
D594,856 S * 6/2009 Marshall D14/228
D745,494 S * 12/2015 Wise D14/227
D748,610 S * 2/2016 Smith D14/225
D818,538 S * 5/2018 Mantis D19/189
D835,612 S * 12/2018 Tong D14/225
D842,846 S * 3/2019 Mai D14/225
D849,721 S * 5/2019 Chen D14/227
D850,423 S * 6/2019 Chen D14/227
D864,922 S * 10/2019 Mai D14/227

FIG. 1 is a top perspective view of a microphone, showing my design.
FIG. 2 is bottom perspective view thereof.
FIG. 3 is a front elevation view thereof.
FIG. 4 is a rear elevation view thereof.
FIG. 5 is a left side elevation view thereof.
FIG. 6 is a right side elevation view thereof.
FIG. 7 is a top plan view thereof.
FIG. 8 is a bottom plan view thereof; and,
FIG. 9 is an enlarged view of an area labeled 9 in FIG. 2.
The evenly-spaced broken lines depict portions of the microphone that form no part of the claimed design. The dot-dash broken lines containing portions of the microphone in FIG. 2 and illustrated in an enlarged view in FIG. 9 form no part of the claimed design.

(Continued)

1 Claim, 9 Drawing Sheets



(56)

References Cited

U.S. PATENT DOCUMENTS

D917,430 S * 4/2021 Mai D14/228
2021/0141596 A1 * 5/2021 Mushikabe H04S 3/008

OTHER PUBLICATIONS

Maono Professional, first available Dec. 1, 2021 [online], [retrieved Feb. 14, 2022]. Available from the Internet, URL:<https://www.amazon.com/dp/B09MT2JQ53/ref=cm_sw_em_r_mt_dp_MZAKK5DXRQVVACF13MZB?_encoding=UTF8&psc=1>. (Year: 2021).*

* cited by examiner

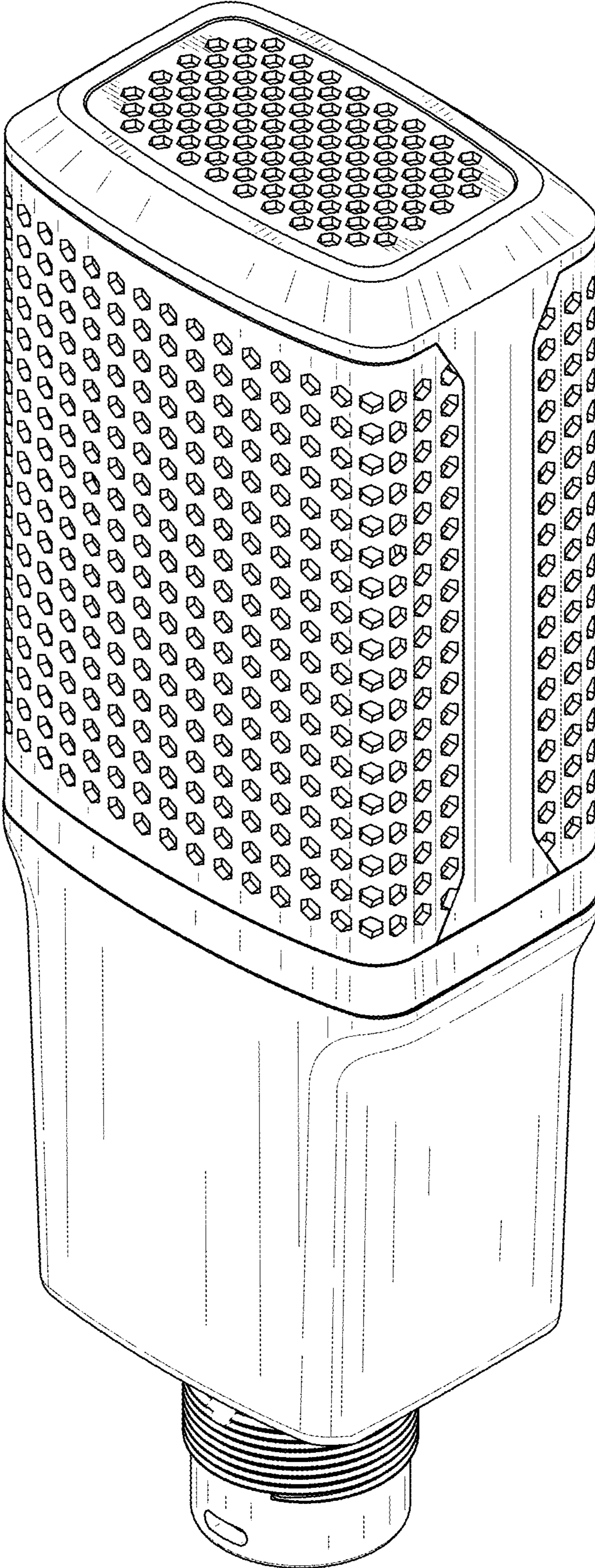


FIG. 1

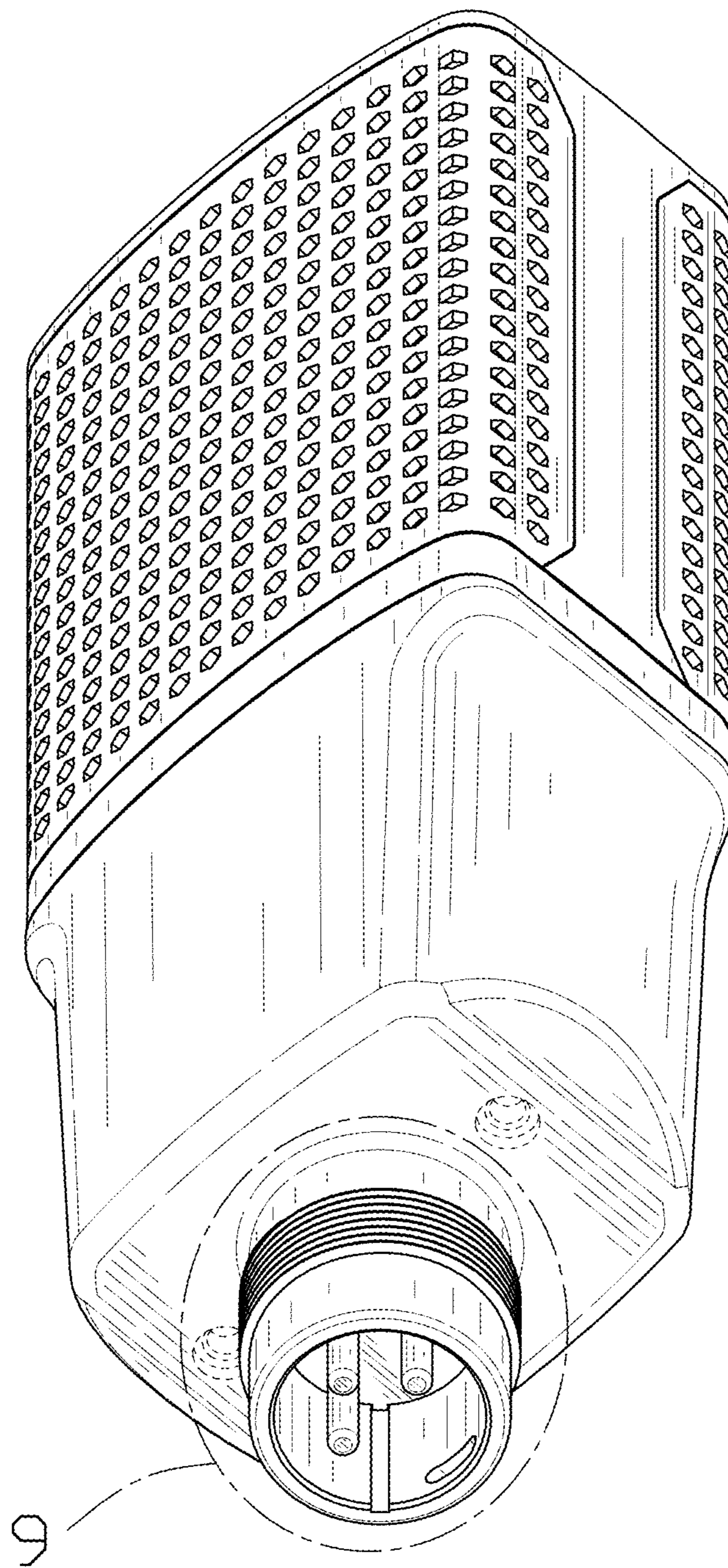


FIG. 2

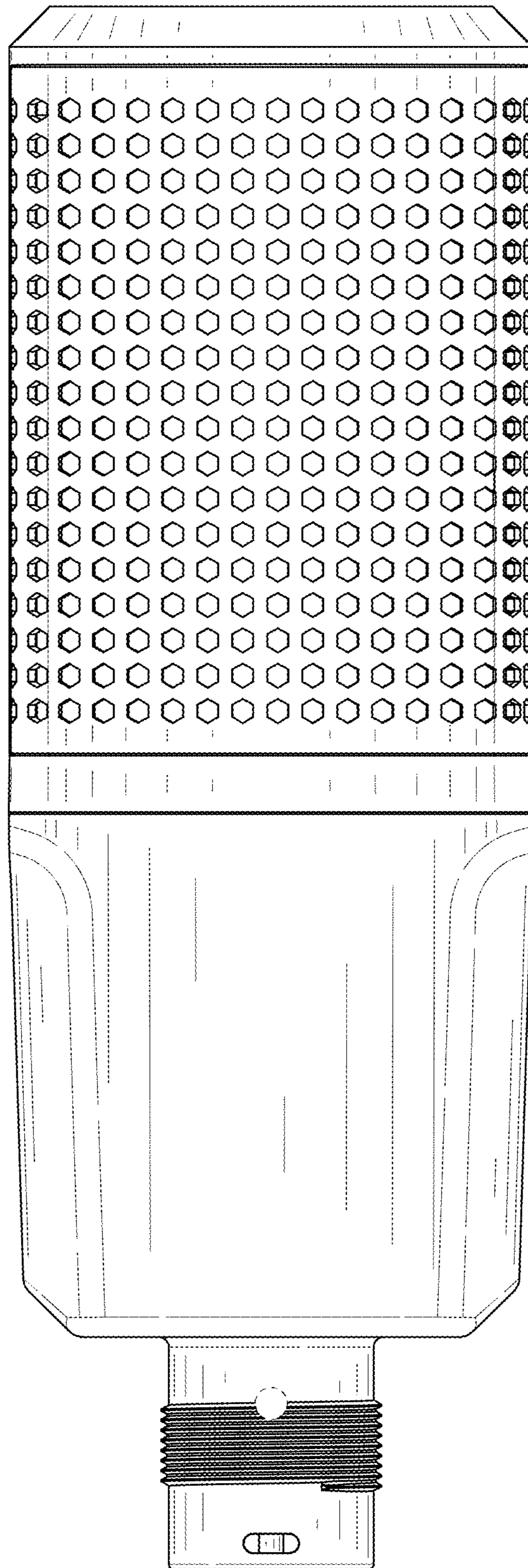


FIG. 3

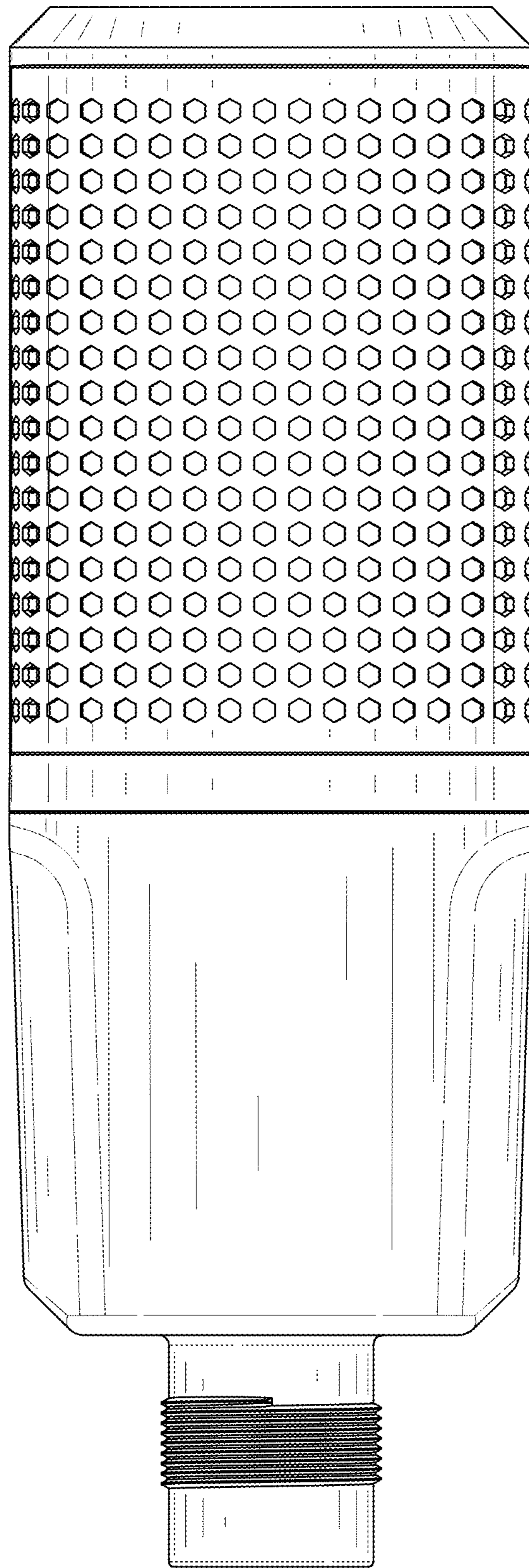


FIG. 4

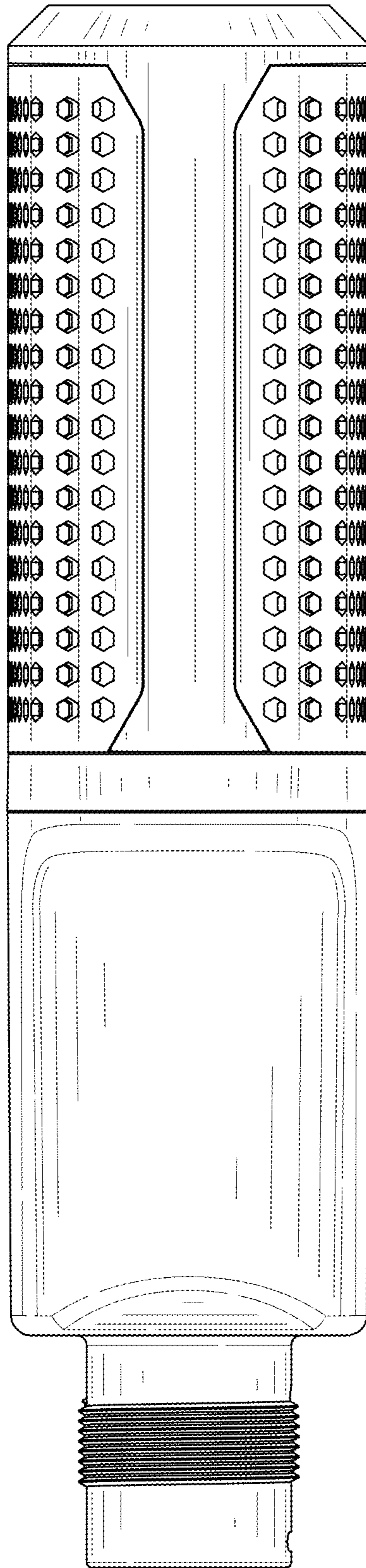


FIG. 5

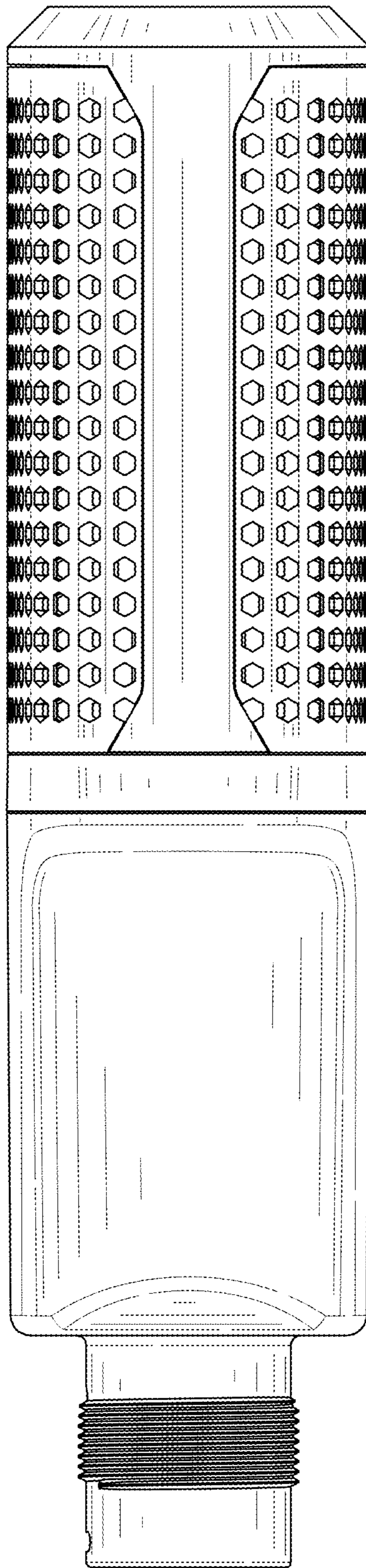


FIG. 6

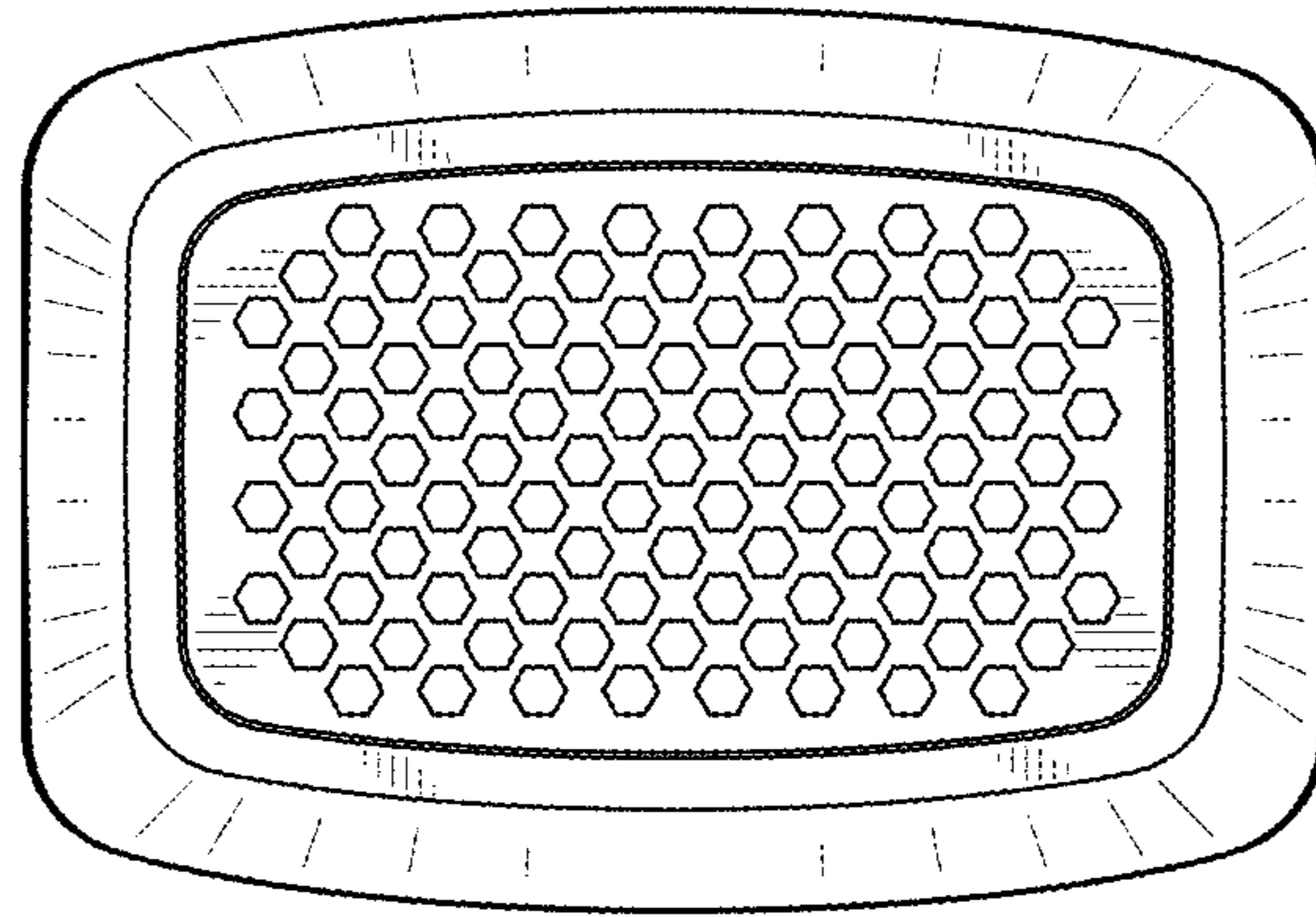


FIG. 7

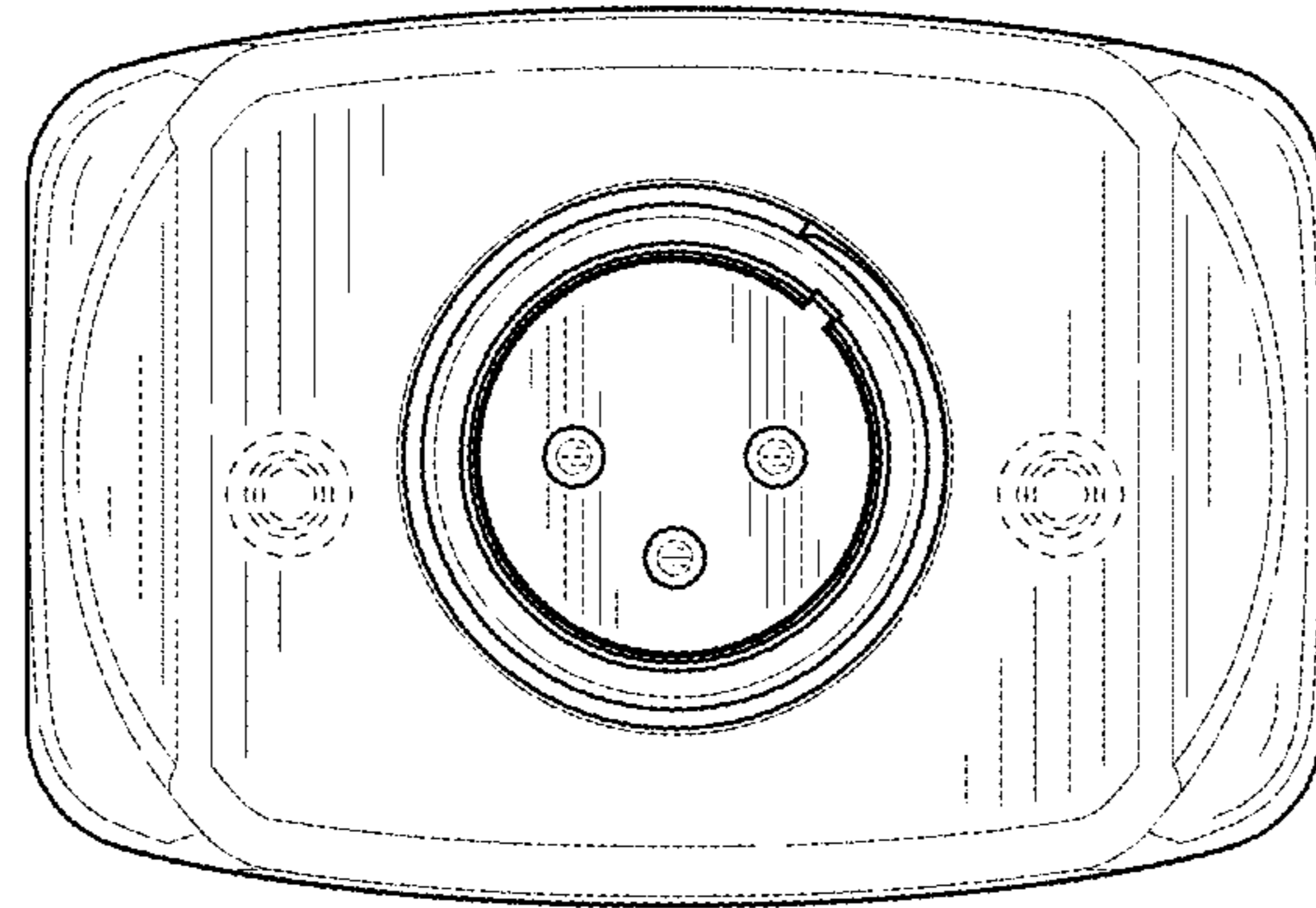


FIG. 8

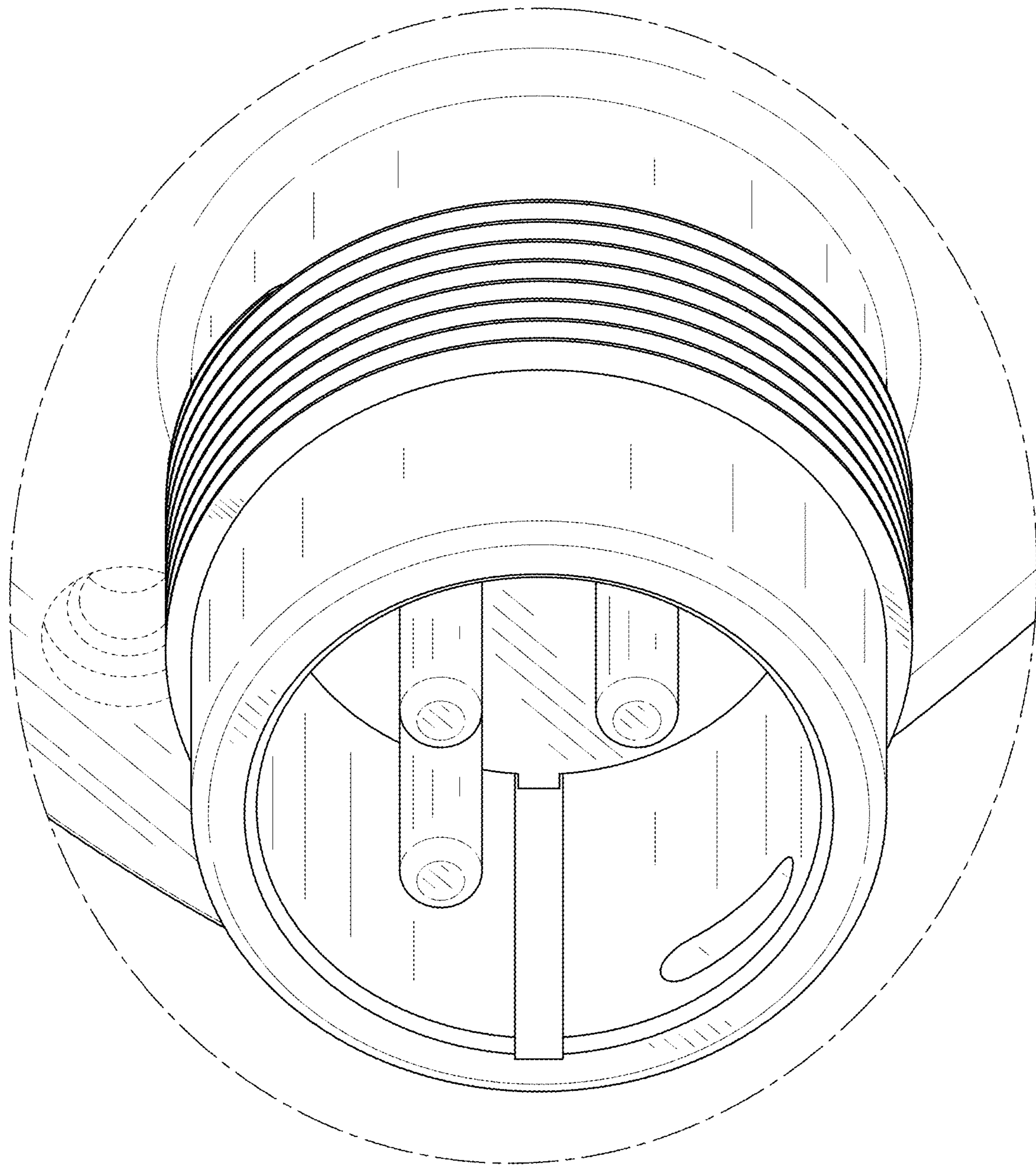


FIG. 9