



US00D951920S

(12) **United States Design Patent**  
**Turksu et al.**

(10) **Patent No.:** **US D951,920 S**  
(45) **Date of Patent:** **\*\* May 17, 2022**

(54) **HEADPHONE STAND WITH CHARGER**  
(71) Applicant: **SARIANA, LLC**, San Diego, CA (US)  
(72) Inventors: **Alan Turksu**, San Diego, CA (US);  
**Mustafa Burak Guclu**, San Diego, CA (US)  
(73) Assignee: **SARIANA, LLC**, San Diego, CA (US)  
(\*\*) Term: **15 Years**

2,436,292 A 2/1948 De Mott  
2,459,785 A \* 1/1949 Allerton ..... F16B 7/1427  
248/412  
2,629,023 A 2/1953 La Fitte  
2,772,056 A \* 11/1956 Geisinger ..... B65H 75/4473  
242/405.1  
2,878,324 A 3/1959 Guerrero  
2,987,585 A 6/1961 Abysalh  
3,071,253 A \* 1/1963 Walsh ..... A47G 25/0664  
211/204  
3,076,557 A \* 2/1963 Husted ..... A45F 3/44  
211/196

(Continued)

(21) Appl. No.: **29/765,380**  
(22) Filed: **Jan. 7, 2021**  
(51) **LOC (13) Cl.** ..... **14-01**  
(52) **U.S. Cl.**  
USPC ..... **D14/224**  
(58) **Field of Classification Search**  
USPC ..... D14/224, 205, 223, 452, 451, 336;  
D13/103, 108; D6/681.1, 681.2, 672,  
D6/683, 682; D20/19, 41; 248/240.1,  
248/183.2, 418, 181.1, 371, 920, 183.1,  
248/278.1; 379/454; 455/90.3, 575.1,  
455/569.1  
CPC ..... H04R 25/00; H04R 1/1025; H04R 1/105;  
H04R 1/10; H04R 3/00; H04R 1/1091;  
A47K 5/04  
See application file for complete search history.

FOREIGN PATENT DOCUMENTS

TW 214909-0001 \* 9/2020

*Primary Examiner* — Paula Allen Greene

(74) *Attorney, Agent, or Firm* — Wagenknecht IP Law Group PC

(57) **CLAIM**

The ornamental design for a headphone stand with charger, as shown and described.

**DESCRIPTION**

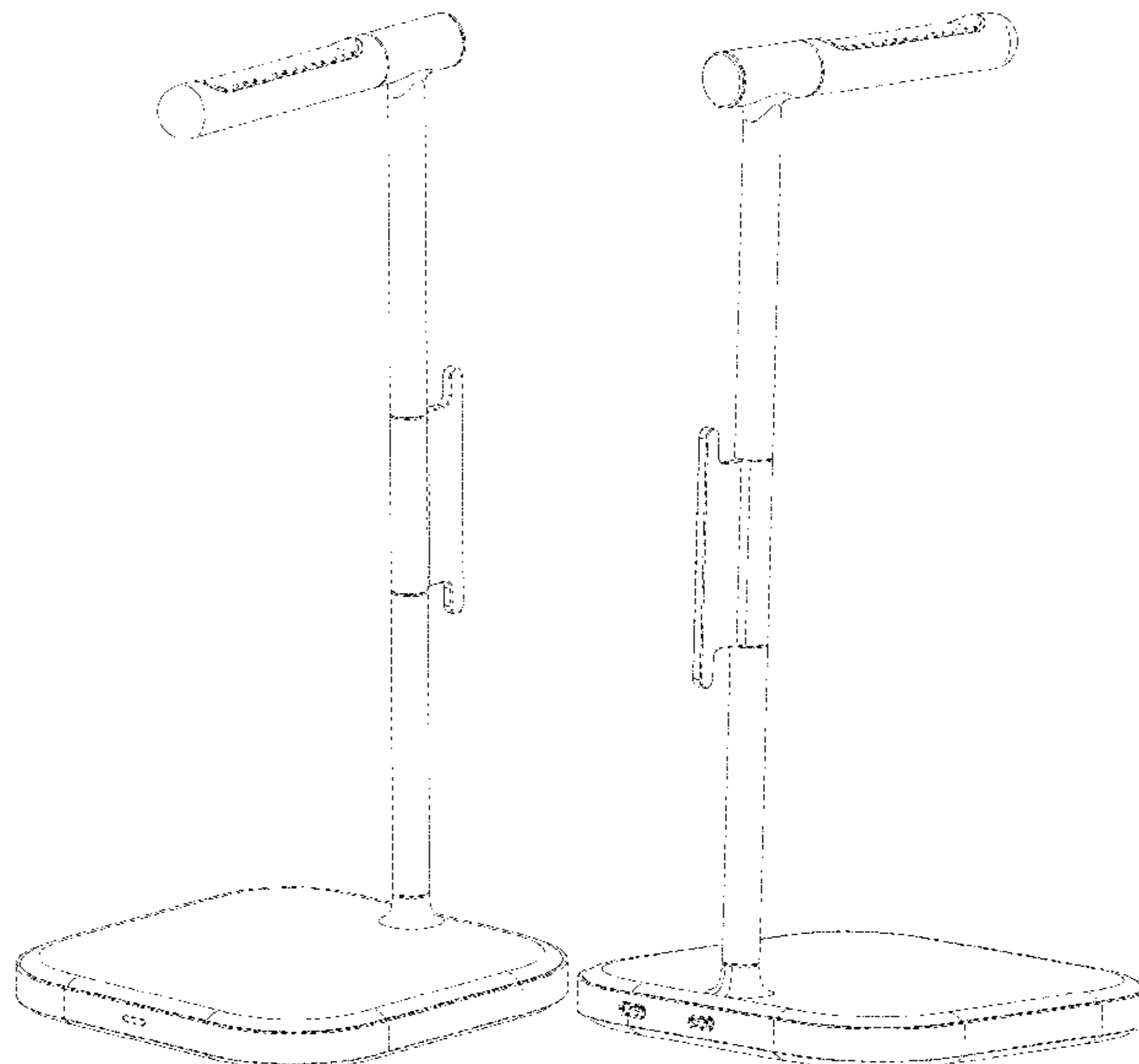
FIG. 1 is a top, front, and left perspective view of a headphone stand with charger showing our new design; FIG. 2 is a top, rear, and right perspective view thereof; FIG. 3 is a front elevational view thereof; FIG. 4 is a rear elevational view thereof; FIG. 5 is a left side elevational view thereof; FIG. 6 is a right side elevational view thereof; FIG. 7 is a top plan view thereof; FIG. 8 is a bottom plan view thereof; and, FIG. 9 is a top, front, and left perspective view thereof, showing the headphone stand with charger in use. The broken lines in the figures represent portions of the headphone stand with charger, and headphone and cellphone in FIG. 9, that form no part of the claimed design.

**1 Claim, 9 Drawing Sheets**

(56) **References Cited**

U.S. PATENT DOCUMENTS

1,165,840 A 12/1915 Brutus  
1,550,588 A 8/1922 Soldani  
1,646,562 A 8/1923 Snow  
1,475,605 A 11/1923 Smith  
1,671,862 A 5/1928 Heinz  
D131,623 S \* 3/1942 Tachberry ..... D6/681.1  
D136,783 S \* 12/1943 Le Veck ..... D8/358  
D137,618 S 4/1944 Rolfes  
D147,151 S 7/1947 Schinske



(56)

References Cited

U.S. PATENT DOCUMENTS

3,224,644 A 12/1965 Davis  
 3,313,425 A \* 4/1967 Injeski ..... A47G 25/0664  
 211/204  
 3,454,252 A \* 7/1969 Pearson ..... E04H 12/00  
 248/511  
 3,693,923 A \* 9/1972 Ayoub ..... A47K 5/04  
 248/690  
 3,695,568 A 10/1972 Hogrebe  
 D227,117 S 6/1973 Bieger  
 D230,014 S 1/1974 Edgell, Sr.  
 4,060,697 A 11/1977 Neal  
 4,285,477 A \* 8/1981 Oxendahl ..... B65H 75/406  
 242/405.2  
 4,527,018 A 7/1985 Offredi  
 D286,636 S 11/1986 Cooke et al.  
 D308,870 S 6/1990 Rioux, Jr.  
 4,977,489 A \* 12/1990 Fung ..... F21L 4/025  
 362/184  
 D320,992 S 10/1991 Jondelius  
 D323,753 S \* 2/1992 Johnston ..... D11/131  
 5,095,382 A 3/1992 Abe  
 D325,578 S 4/1992 Daido et al.  
 D326,969 S \* 6/1992 Eason ..... D14/224  
 D342,549 S \* 12/1993 Hofman ..... D20/41  
 D350,620 S \* 9/1994 Yuen ..... D26/65  
 5,367,570 A 11/1994 Figueroa  
 D355,913 S 2/1995 Chong  
 D357,016 S 4/1995 Li et al.  
 D357,248 S 4/1995 Cheng  
 D358,506 S \* 5/1995 Lara ..... D12/406  
 5,601,193 A \* 2/1997 Santoya ..... G09F 1/103  
 211/11  
 D387,784 S 12/1997 Nakamura  
 5,715,321 A \* 2/1998 Andrea ..... H04R 1/1083  
 381/92  
 D409,018 S \* 5/1999 Deuschle ..... D14/253  
 D415,494 S \* 10/1999 Curina ..... D14/211  
 5,984,224 A \* 11/1999 Yang ..... B65H 75/4473  
 242/400.1  
 D433,005 S 10/2000 McGugan  
 D458,770 S \* 6/2002 Walter ..... D6/681.1  
 D461,794 S 8/2002 Polito et al.  
 6,612,534 B2 9/2003 Hennessey  
 D482,674 S 11/2003 Rath et al.  
 D488,803 S \* 4/2004 Chin ..... D14/211  
 D496,029 S 9/2004 Skulley et al.  
 7,048,222 B1 \* 5/2006 Curtiss ..... B65H 75/4476  
 191/12.2 R  
 D553,106 S 10/2007 Griffin  
 D564,501 S 3/2008 Rath  
 D593,103 S 5/2009 Richter et al.  
 D593,998 S 6/2009 Bentley et al.  
 D595,697 S 7/2009 Mao et al.

D598,217 S \* 8/2009 Bode ..... D6/681.2  
 D599,331 S 9/2009 Bentley et al.  
 D600,925 S 9/2009 Guffey et al.  
 D602,008 S 10/2009 Bentley et al.  
 D602,917 S 10/2009 Bentley  
 7,845,612 B2 \* 12/2010 Mase ..... H05K 5/0204  
 248/455  
 D645,027 S 9/2011 Gougherty et al.  
 D662,089 S 6/2012 Gougherty et al.  
 D669,888 S 10/2012 Gougherty et al.  
 D684,145 S 6/2013 Rath  
 D685,806 S 7/2013 Kim et al.  
 8,838,029 B2 9/2014 Goldman et al.  
 9,004,357 B2 \* 4/2015 Jackson ..... H04R 1/1033  
 235/383  
 D737,606 S \* 9/2015 King ..... D6/682  
 D743,371 S \* 11/2015 Nardin ..... D14/209.1  
 D760,647 S \* 7/2016 Chen ..... D13/103  
 D765,623 S 9/2016 Yang et al.  
 D780,490 S \* 3/2017 James ..... D6/682  
 D783,000 S \* 4/2017 Koo ..... D14/209.1  
 D785,380 S \* 5/2017 King ..... D6/681  
 D788,080 S \* 5/2017 Turksu ..... D14/224  
 D793,996 S \* 8/2017 Katz ..... D14/224  
 D813,850 S \* 3/2018 Young, III ..... D14/224  
 D818,434 S \* 5/2018 Doiron ..... D13/108  
 9,973,844 B1 \* 5/2018 Young ..... H04R 1/1091  
 D821,787 S \* 7/2018 Wang ..... D6/682  
 D850,421 S \* 6/2019 Tong ..... D14/224  
 D852,738 S \* 7/2019 Backett ..... D13/108  
 D860,694 S \* 9/2019 Wilke ..... D6/680.2  
 10,425,715 B2 \* 9/2019 Green ..... H04R 1/1025  
 D865,667 S \* 11/2019 Roberts ..... D13/108  
 D866,553 S \* 11/2019 Miura ..... D14/388  
 D868,753 S \* 12/2019 Kolton ..... D14/224  
 D871,892 S \* 1/2020 Erickson ..... D8/349  
 D872,725 S \* 1/2020 Lindof ..... D14/253  
 D879,075 S \* 3/2020 Xu ..... D14/224  
 D884,623 S \* 5/2020 Zheng ..... D13/108  
 D890,327 S \* 7/2020 Gao ..... D23/403  
 D907,013 S \* 1/2021 Lu ..... D14/224  
 D911,955 S \* 3/2021 Turksu ..... D13/108  
 D916,686 S \* 4/2021 Xie ..... D14/224  
 D922,361 S \* 6/2021 Jin ..... D14/224  
 D936,572 S \* 11/2021 Turksu ..... D13/108  
 2002/0003875 A1 1/2002 Stewart et al.  
 2003/0213761 A1 \* 11/2003 Sparkowski ..... A47F 13/085  
 211/85.3  
 2005/0103957 A1 \* 5/2005 Chang ..... F16M 11/22  
 248/127  
 2013/0223640 A1 \* 8/2013 Urano ..... H04R 3/00  
 381/74  
 2016/0066076 A1 \* 3/2016 Schatt ..... H04R 1/1033  
 24/122.3  
 2017/0251293 A1 \* 8/2017 Green ..... H02J 7/0045  
 2019/0222916 A1 \* 7/2019 Kim ..... H04R 1/1025

\* cited by examiner

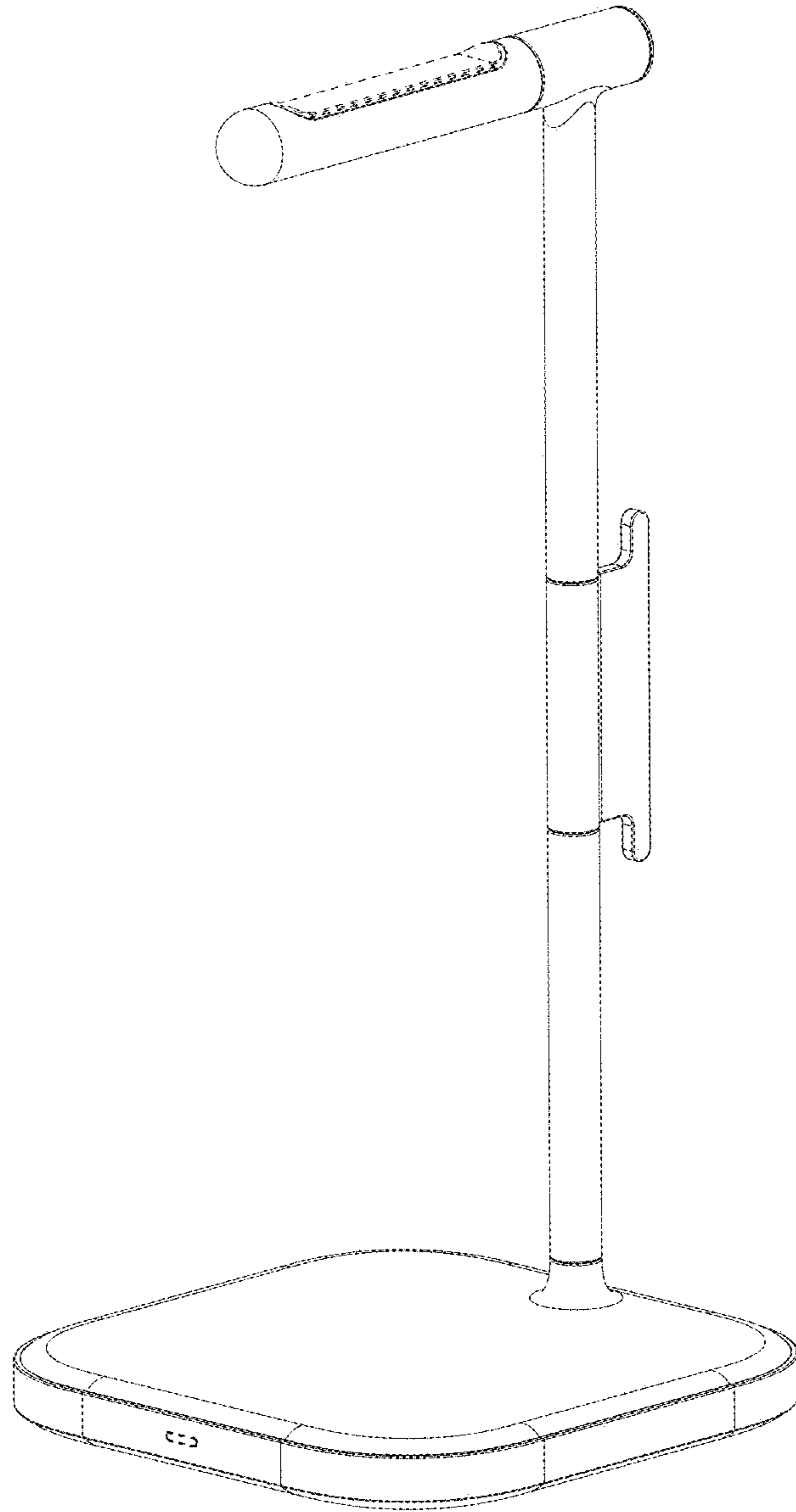


FIG. 1

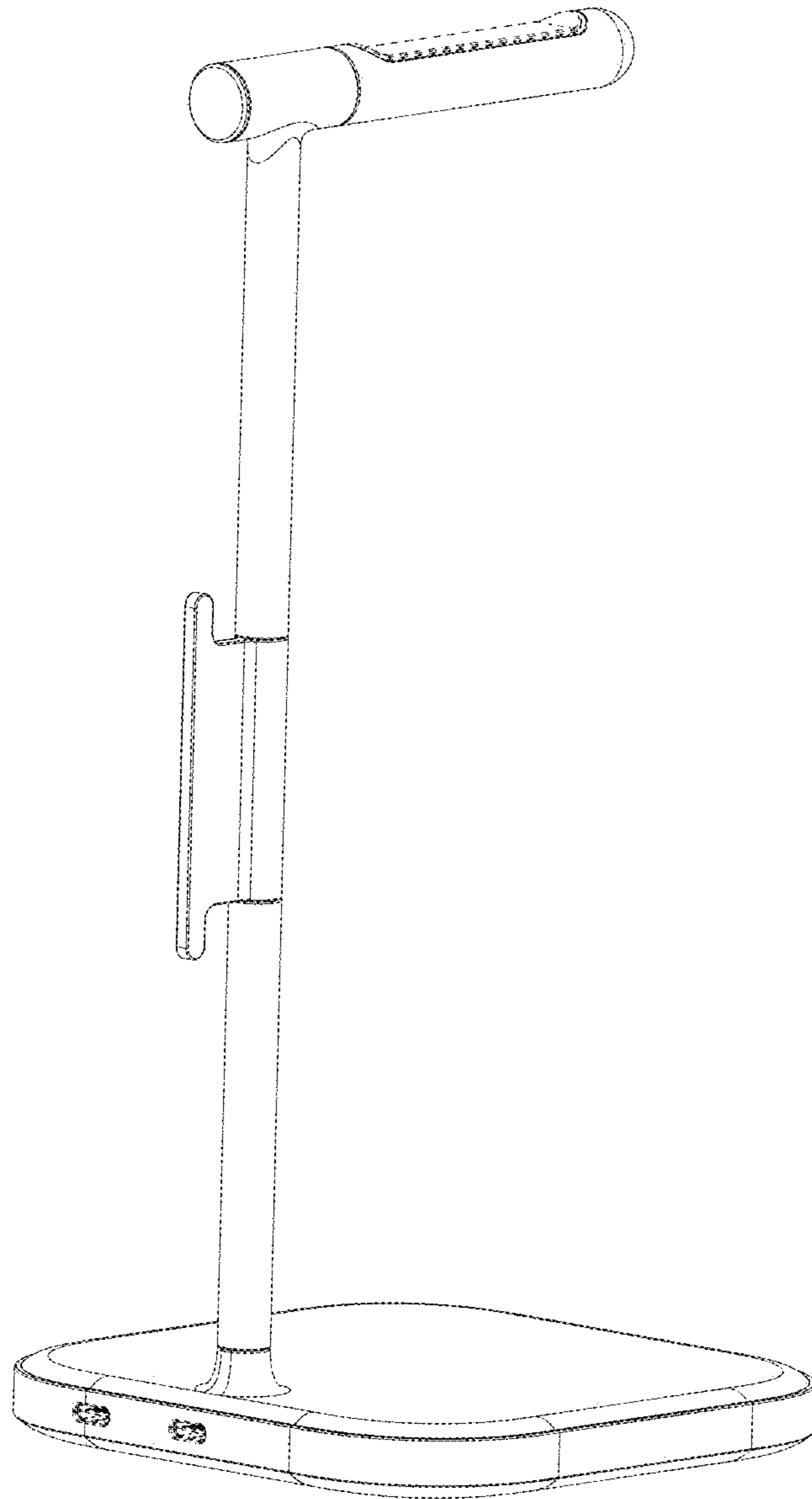


FIG. 2

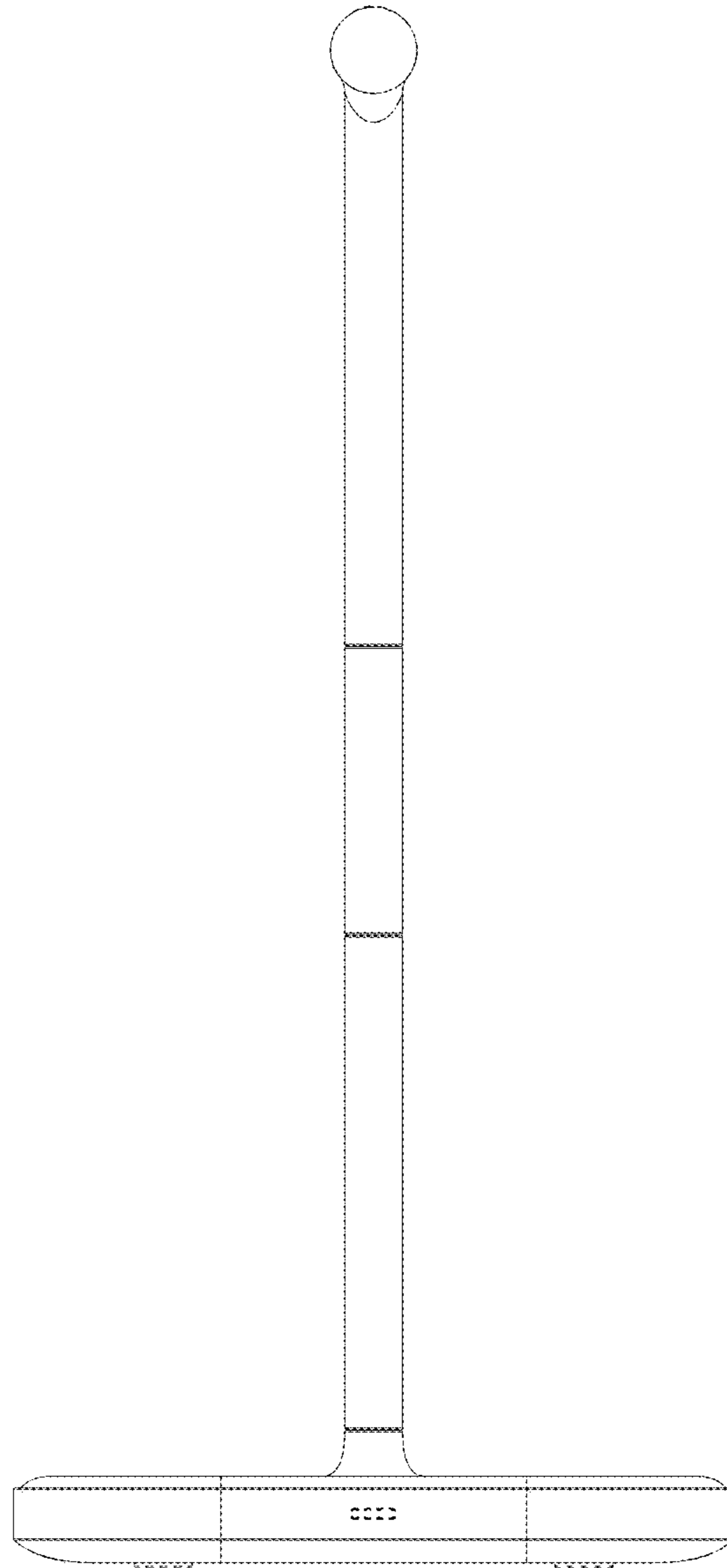


FIG. 3

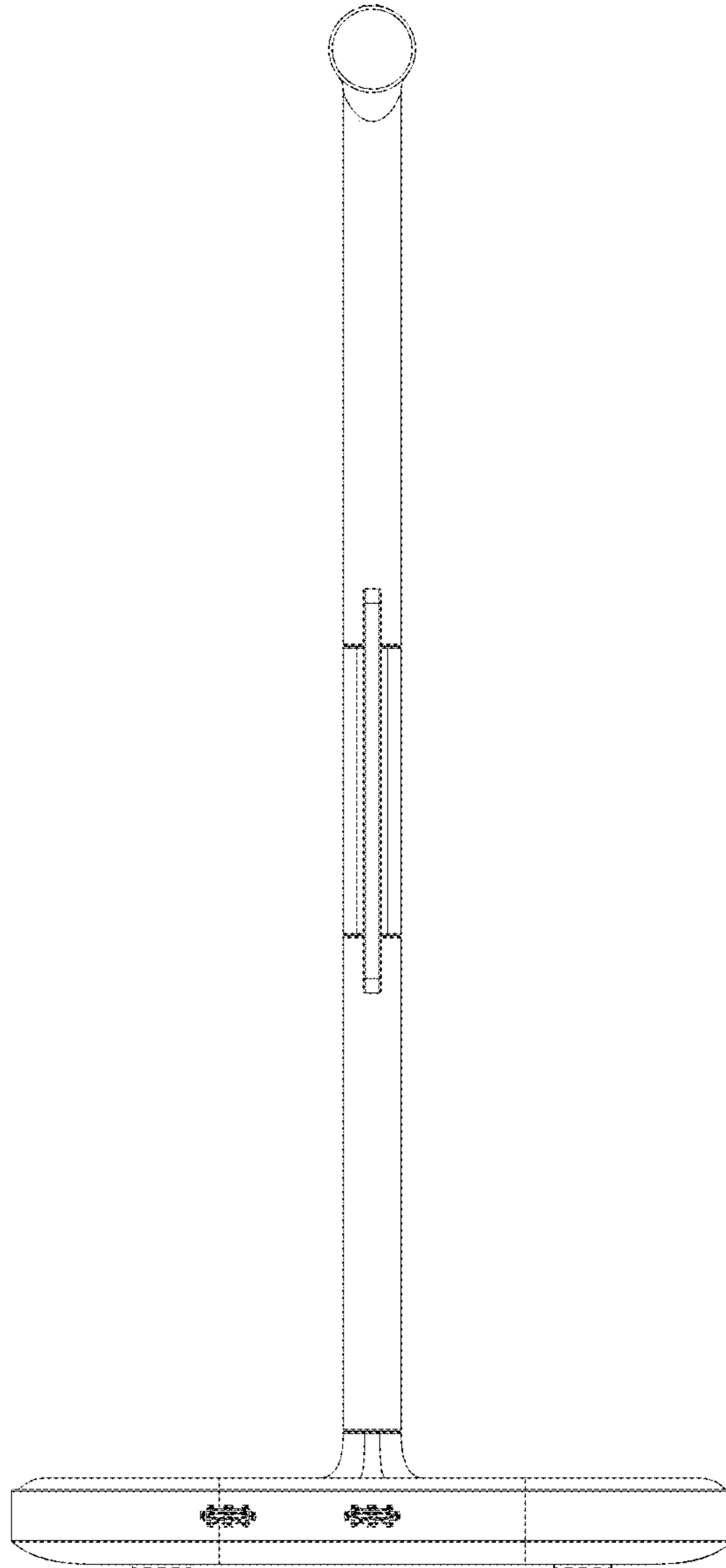


FIG. 4

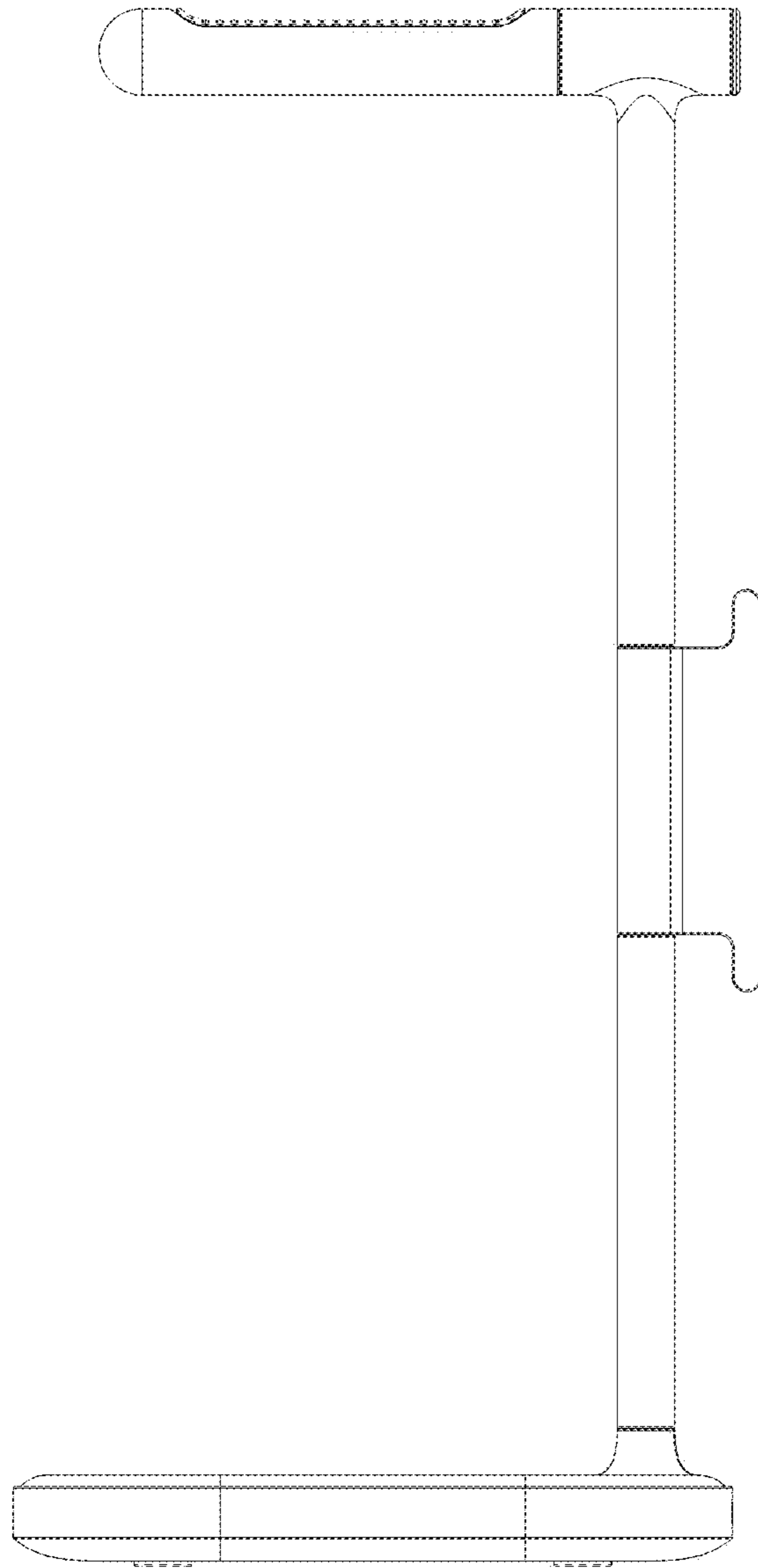


FIG. 5

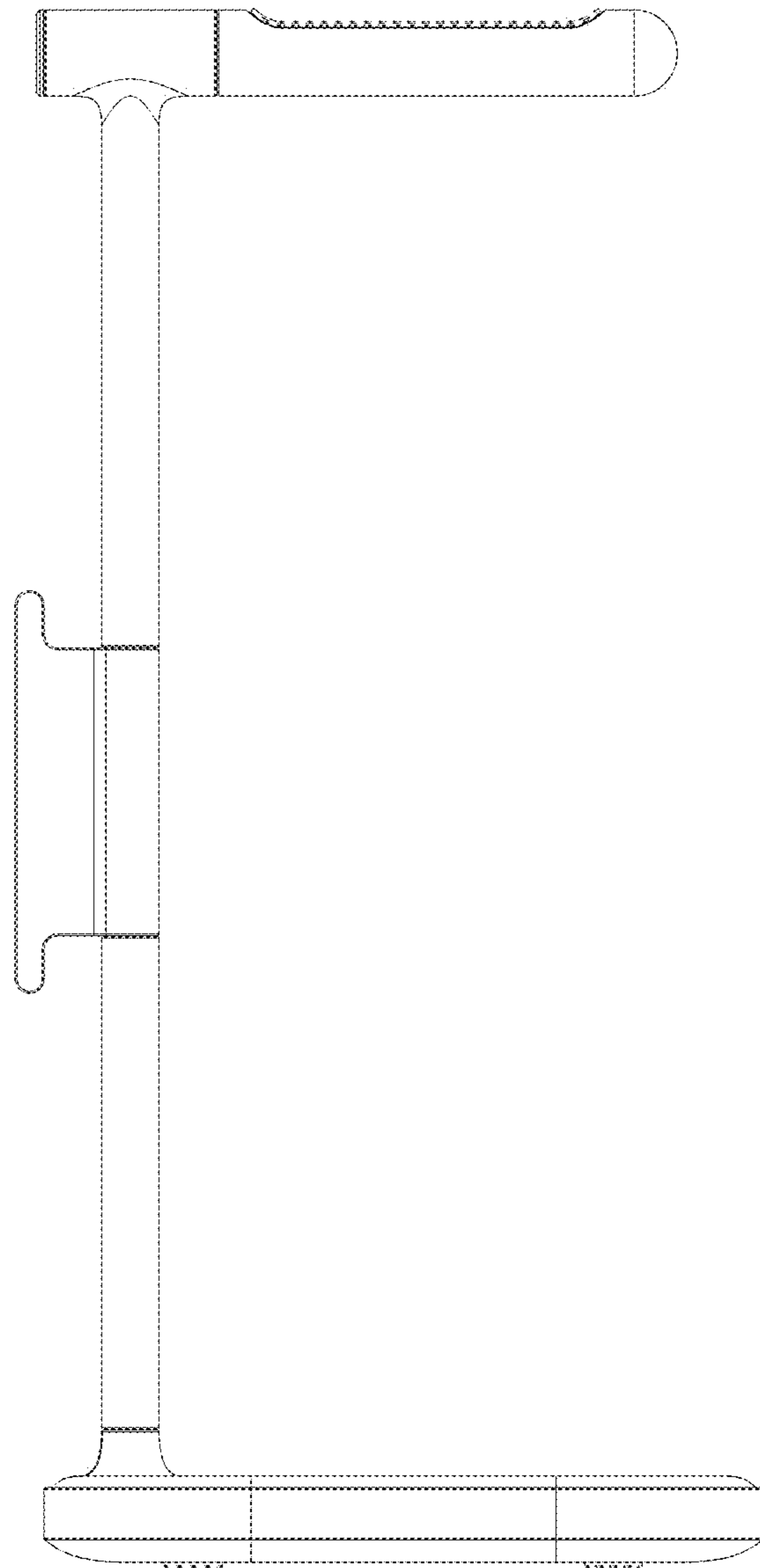


FIG. 6



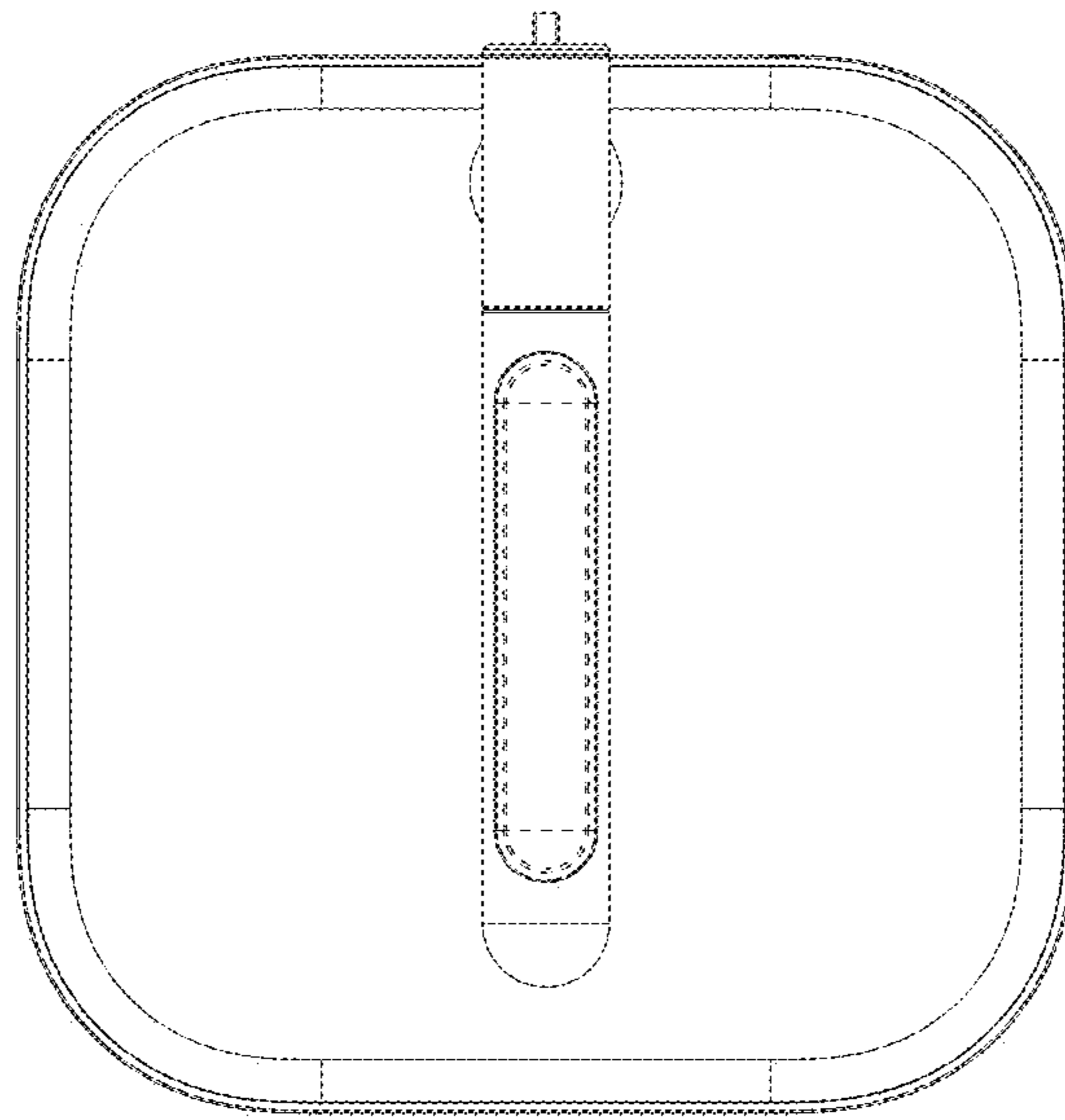


FIG. 7

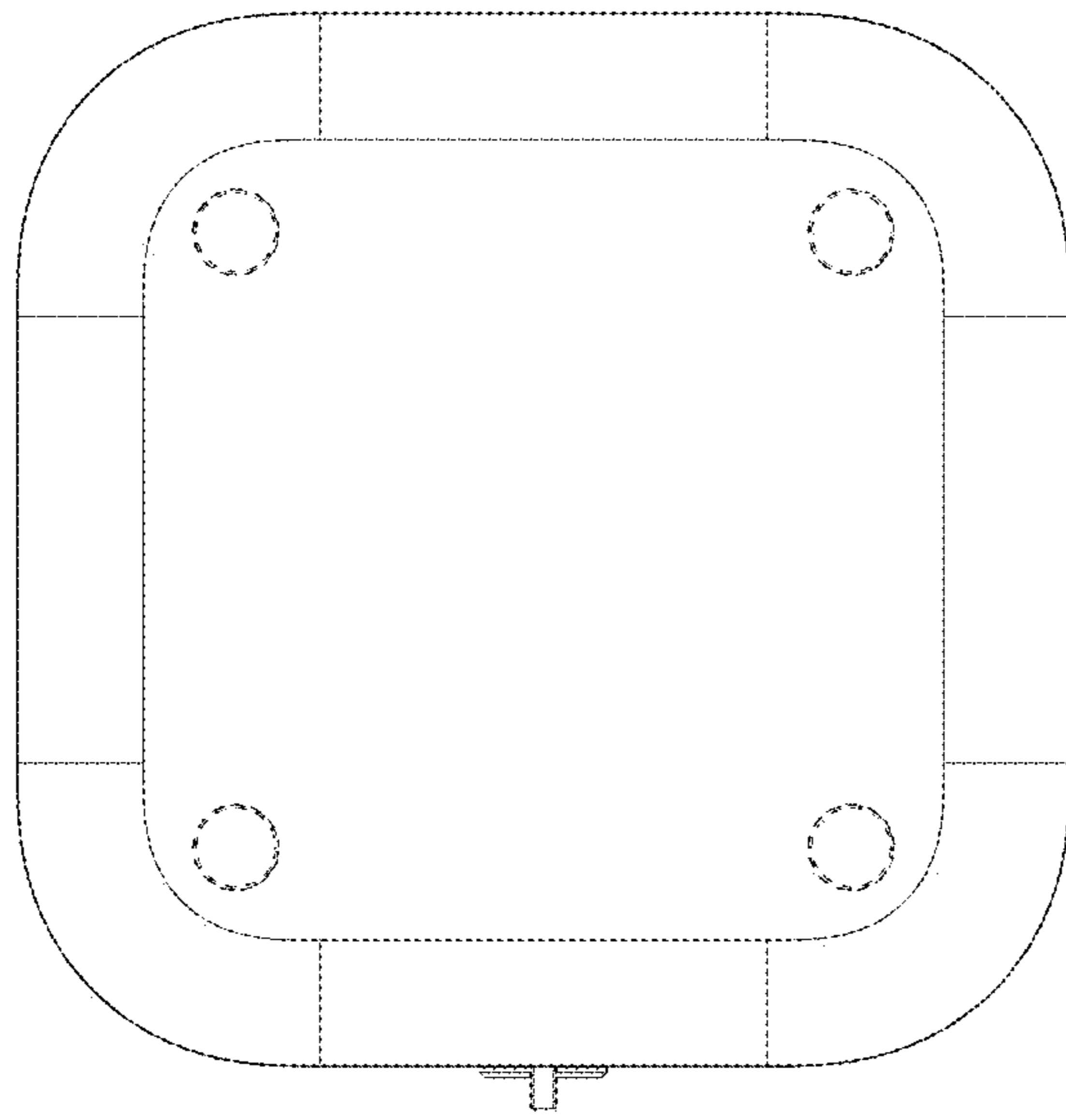


FIG. 8

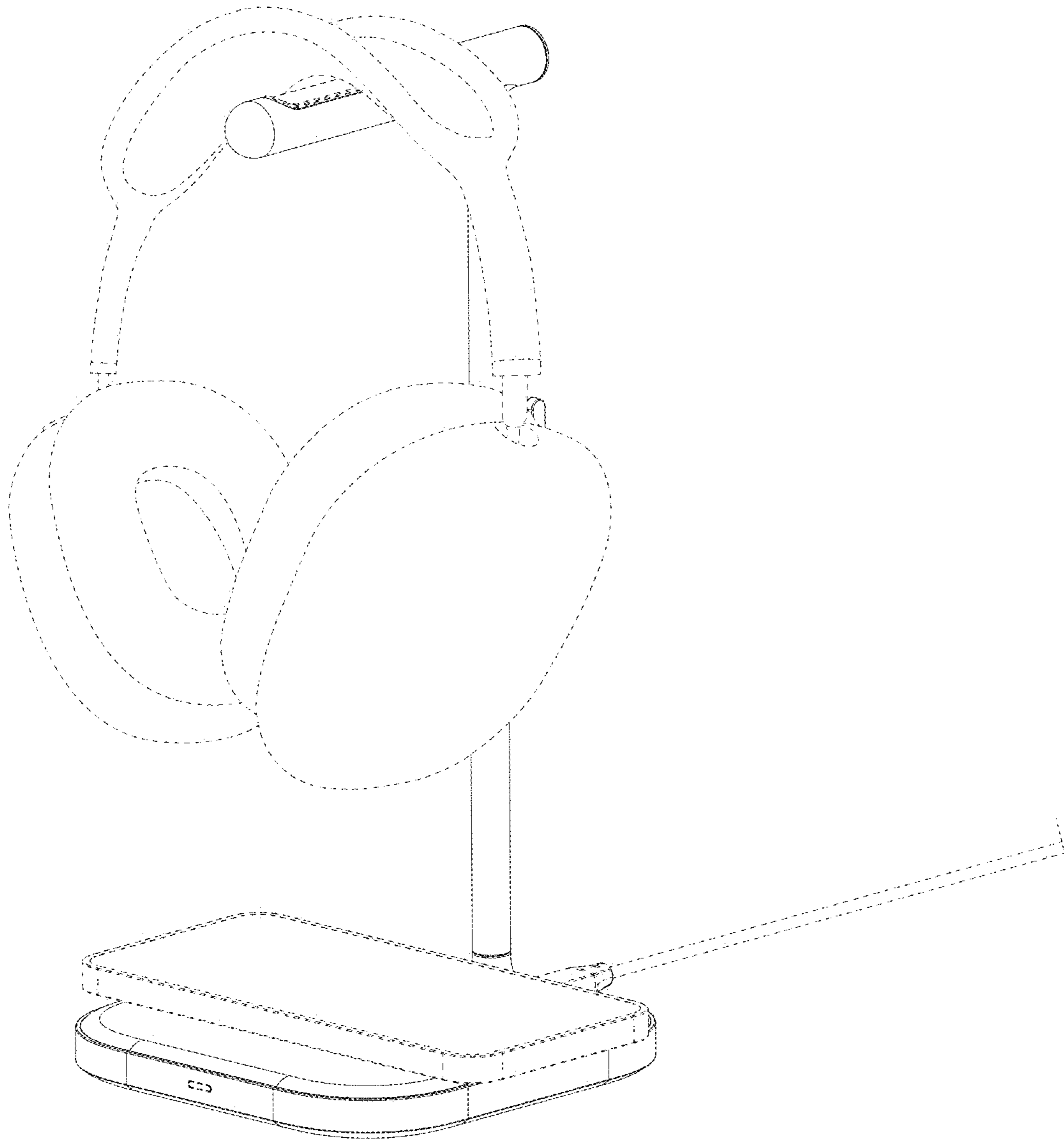


FIG. 9