



US00D951919S

(12) **United States Design Patent**
Turksu et al.

(10) **Patent No.:** **US D951,919 S**

(45) **Date of Patent:** **** May 17, 2022**

(54) **HEADPHONE STAND**
(71) Applicant: **SARIANA, LLC**, San Diego, CA (US)
(72) Inventors: **Alan Turksu**, San Diego, CA (US);
Mustafa Burak Guclu, San Diego, CA (US)
(73) Assignee: **SARIANA, LLC**, San Diego, CA (US)
(**) Term: **15 Years**

2,459,785 A * 1/1949 Allerton F16B 7/1427
248/412
2,629,023 A 2/1953 La Fitte
2,772,056 A * 11/1956 Geisinger B65H 75/4473
242/405.1
2,878,324 A 3/1959 Guerrero
2,987,585 A 6/1961 Abysalh
3,071,253 A * 1/1963 Walsh A47G 25/0664
211/204
3,076,557 A * 2/1963 Husted A45F 3/44
211/196
3,224,644 A 12/1965 Davis
(Continued)

(21) Appl. No.: **29/765,374**
(22) Filed: **Jan. 7, 2021**
(51) **LOC (13) Cl.** **14-01**
(52) **U.S. Cl.**
USPC **D14/224**
(58) **Field of Classification Search**
USPC D14/224, 205, 223, 452, 451, 336;
D6/681.1, 681.2, 672, 683, 682; D20/19,
D20/41; 248/240.1, 183.2, 418, 181.1,
248/371, 920, 183.1, 278.1; 379/454;
455/90.3, 575.1, 569.1
CPC H04R 25/00; H04R 1/1025; H04R 1/105;
H04R 1/10; H04R 3/00; H04R 1/1091;
A47K 5/04
See application file for complete search history.

FOREIGN PATENT DOCUMENTS

TW 214909-0001 * 9/2020
Primary Examiner — Paula Allen Greene
(74) *Attorney, Agent, or Firm* — Wagenknecht IP Law
Group PC

(57) **CLAIM**

The ornamental design for a headphone stand, as shown and described.

DESCRIPTION

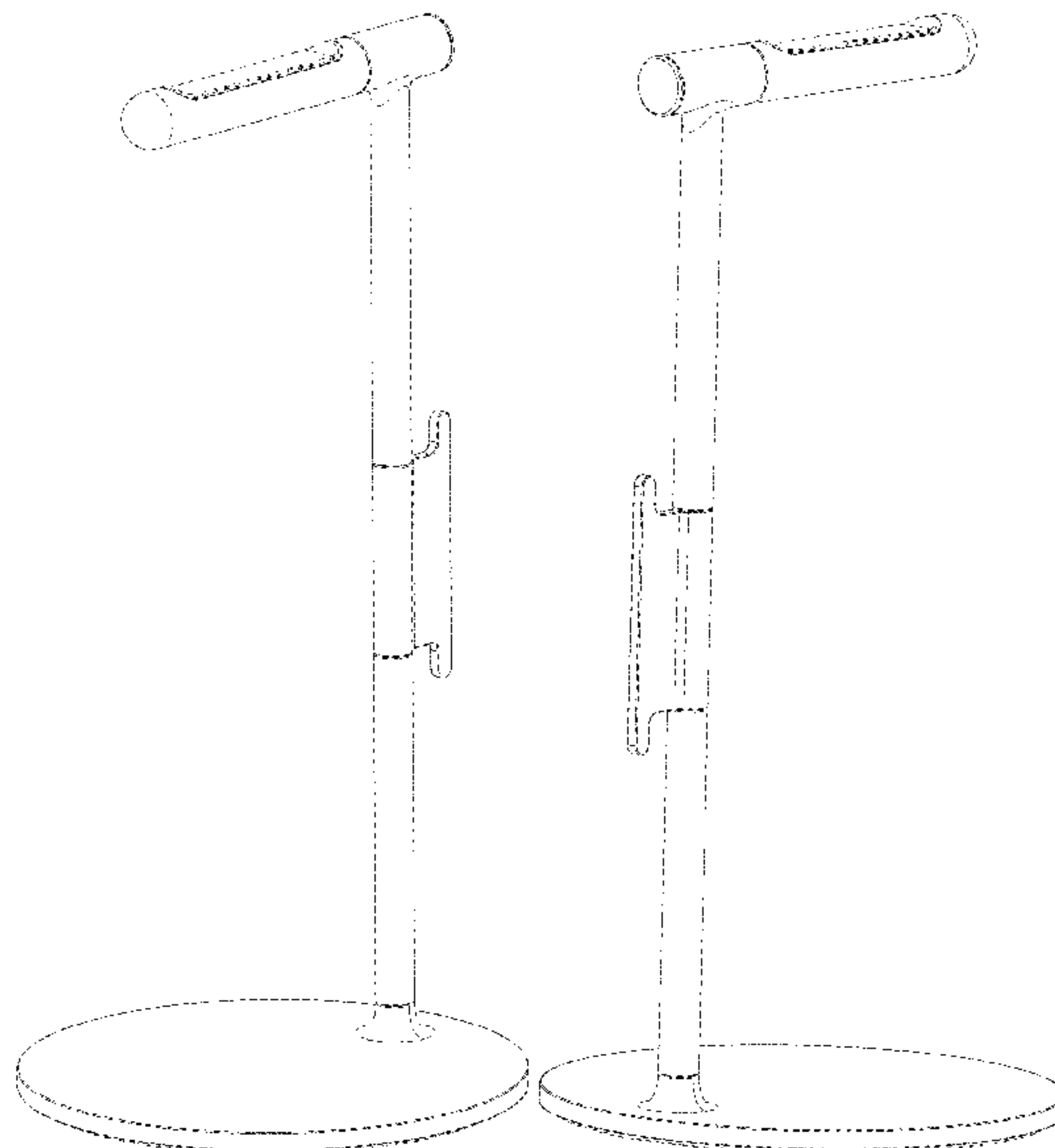
FIG. 1 is a top, front, and left perspective view of a headphone stand showing our new design;
FIG. 2 is a top, rear, and right perspective view thereof;
FIG. 3 is a front elevational view thereof;
FIG. 4 is a rear elevational view thereof;
FIG. 5 is a left side elevational view thereof;
FIG. 6 is a right side elevational view thereof;
FIG. 7 is a top plan view thereof;
FIG. 8 is a bottom plan view thereof; and,
FIG. 9 is a top, front, and left perspective view thereof, showing the headphone stand in use.
The broken lines in the figures represent portions of the headphone stand and headphone in FIG. 9 that form no part of the claimed design.

(56) **References Cited**

U.S. PATENT DOCUMENTS

1,165,840 A 12/1915 Brutus
1,550,588 A 8/1922 Soldani
1,646,562 A 8/1923 Snow
1,475,605 A 11/1923 Smith
1,671,862 A 5/1928 Heinz
D131,623 S * 3/1942 Tachaberry D6/681.1
D136,783 S * 12/1943 Le Veck D8/358
D137,618 S 4/1944 Rolfes
D147,151 S 7/1947 Schinske
2,436,292 A 2/1948 De Mott

1 Claim, 9 Drawing Sheets



US D951,919 S

(56)

References Cited

U.S. PATENT DOCUMENTS

3,313,425 A *	4/1967	Injeski	A47G 25/0664 211/204	D593,998 S	6/2009	Bentley et al.
3,454,252 A *	7/1969	Pearson	E04H 12/00 248/511	D595,697 S	7/2009	Mao et al.
3,693,923 A *	9/1972	Ayoub	A47K 5/04 248/690	D598,217 S *	8/2009	Bode D6/681.2
3,695,568 A	10/1972	Hogrebe		D599,331 S	9/2009	Bentley et al.
D227,117 S	6/1973	Bieger		D600,925 S	9/2009	Guffey et al.
D230,014 S	1/1974	Edgell, Sr.		D602,008 S	10/2009	Bentley et al.
4,060,697 A	11/1977	Neal		D602,917 S	10/2009	Bentley
4,285,477 A *	8/1981	Oxendahl	B65H 75/406 242/405.2	7,845,612 B2 *	12/2010	Mase H05K 5/0204 248/455
4,527,018 A	7/1985	Offredi		D645,027 S	9/2011	Gougherty et al.
D286,636 S	11/1986	Cooke et al.		D662,089 S	6/2012	Gougherty et al.
D308,870 S	6/1990	Rioux, Jr.		D669,888 S	10/2012	Gougherty et al.
4,977,489 A *	12/1990	Fung	F21L 4/025 362/184	D684,145 S	6/2013	Rath
D320,992 S	10/1991	Jondelius		D685,806 S	7/2013	Kim et al.
D323,753 S *	2/1992	Johnston	D11/131	8,838,029 B2	9/2014	Goldman et al.
5,095,382 A	3/1992	Abe		9,004,357 B2 *	4/2015	Jackson H04R 1/1033 235/383
D325,578 S	4/1992	Daido et al.		D737,606 S *	9/2015	King D6/682
D326,969 S *	6/1992	Eason	D14/224	D743,371 S *	11/2015	Nardin D14/209.1
D342,549 S *	12/1993	Hofman	D20/41	D765,623 S	9/2016	Yang et al.
D350,620 S *	9/1994	Yuen	D26/65	D780,490 S *	3/2017	James D6/682
5,367,570 A	11/1994	Figueroa		D783,000 S *	4/2017	Koo D14/209.1
D355,913 S	2/1995	Chong		D785,380 S *	5/2017	King D6/681
D357,016 S	4/1995	Li et al.		D788,080 S *	5/2017	Turksu D14/224
D357,248 S	4/1995	Cheng		D793,996 S *	8/2017	Katz D14/224
D358,506 S *	5/1995	Lara	D12/406	D813,850 S *	3/2018	Young, III D14/224
5,601,193 A *	2/1997	Santoya	G09F 1/103 211/11	9,973,844 B1 *	5/2018	Young H04R 1/1091
D387,784 S	12/1997	Nakamura		D821,787 S *	7/2018	Wang D6/682
5,715,321 A *	2/1998	Andrea	H04R 1/1083 381/92	D850,421 S *	6/2019	Tong D14/224
D409,018 S *	5/1999	Deuschle	D14/253	D860,694 S *	9/2019	Wilke D6/680.2
D415,494 S *	10/1999	Curina	D14/211	10,425,715 B2 *	9/2019	Green H04R 1/1025
5,984,224 A *	11/1999	Yang	B65H 75/4473 242/400.1	D866,553 S *	11/2019	Miura D14/388
D433,005 S	10/2000	McGugan		D868,753 S *	12/2019	Kolton D14/224
D458,770 S *	6/2002	Walter	D6/681.1	D871,892 S *	1/2020	Erickson D8/349
D461,794 S	8/2002	Polito et al.		D872,725 S *	1/2020	Lindof D14/253
6,612,534 B2	9/2003	Hennessey		D879,075 S *	3/2020	Xu D14/224
D482,674 S	11/2003	Rath et al.		D884,623 S *	5/2020	Zheng D13/108
D488,803 S *	4/2004	Chin	D14/211	D890,327 S *	7/2020	Gao D23/403
D496,029 S	9/2004	Skulley et al.		D907,013 S *	1/2021	Lu D14/224
7,048,222 B1 *	5/2006	Curtiss	B65H 75/4476 191/12.2 R	D916,686 S *	4/2021	Xie D14/224
D553,106 S	10/2007	Griffin		D922,361 S *	6/2021	Jin D14/224
D564,501 S	3/2008	Rath		2002/0003875 A1	1/2002	Stewart et al.
D593,103 S	5/2009	Richter et al.		2003/0213761 A1 *	11/2003	Sparkowski A47F 13/085 211/85.3
				2005/0103957 A1 *	5/2005	Chang F16M 11/22 248/127
				2013/0223640 A1 *	8/2013	Urano H04R 3/00 381/74
				2016/0066076 A1 *	3/2016	Schatt H04R 1/1033 24/122.3
				2017/0251293 A1 *	8/2017	Green H02J 7/0045
				2019/0222916 A1 *	7/2019	Kim H04R 1/1025

* cited by examiner

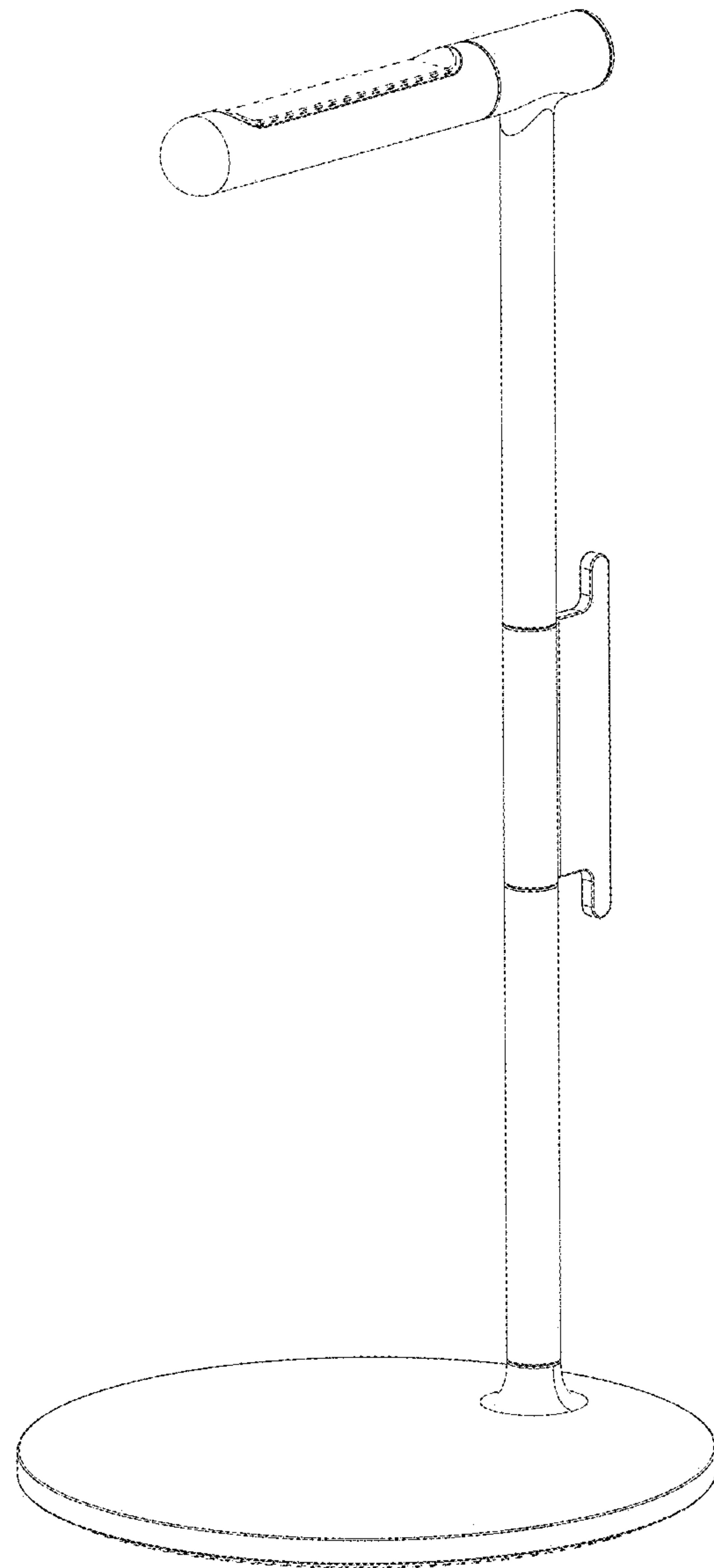


FIG. 1

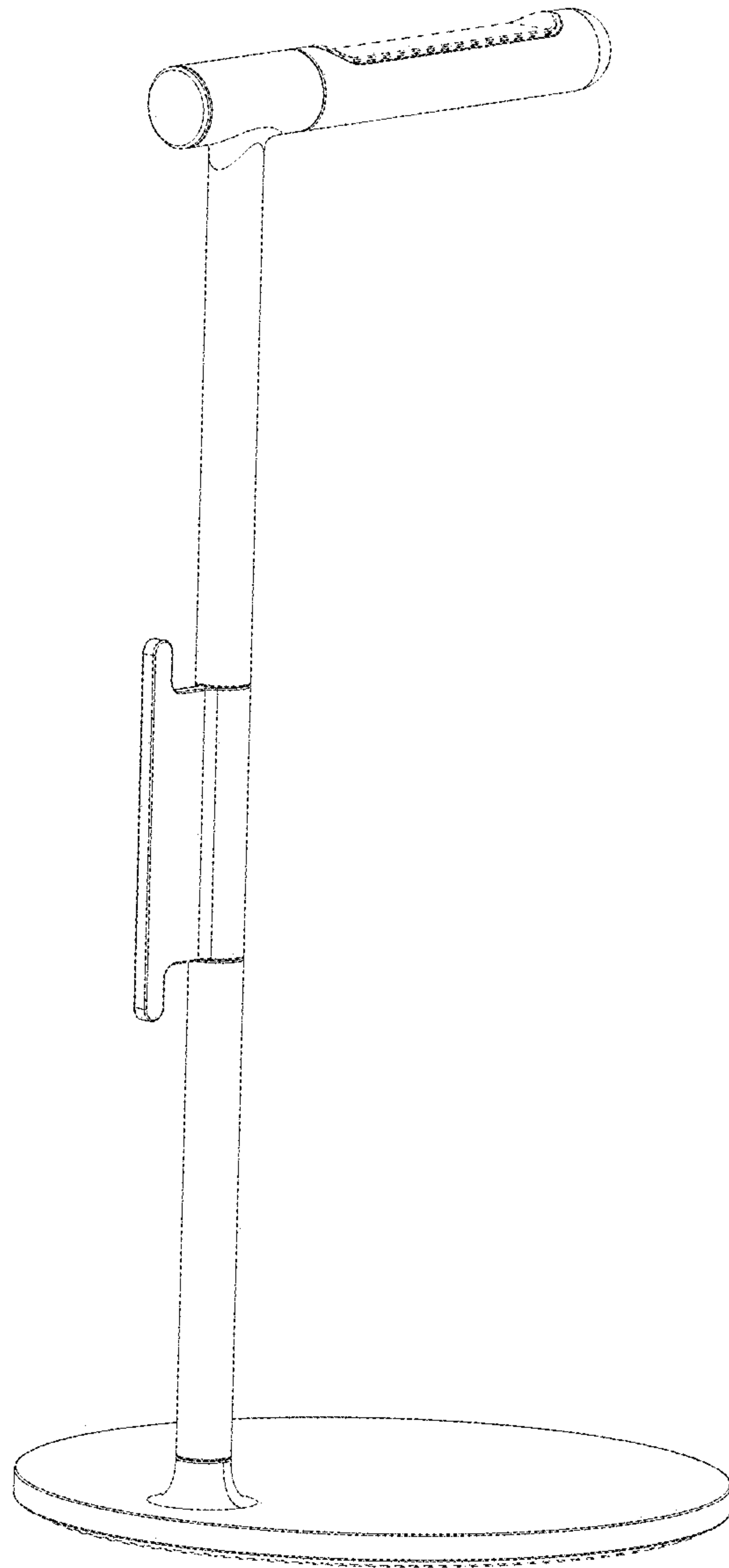


FIG. 2

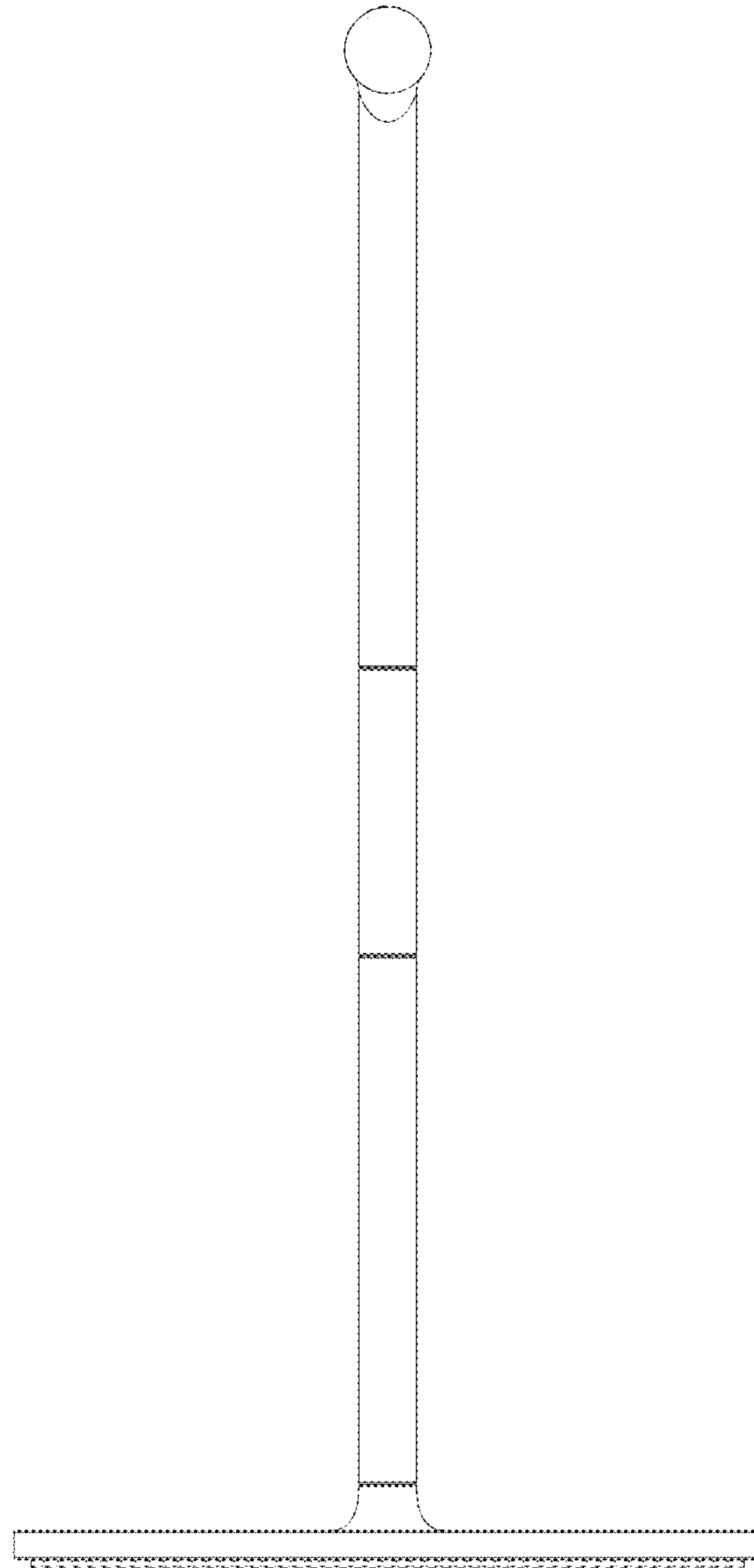


FIG. 3

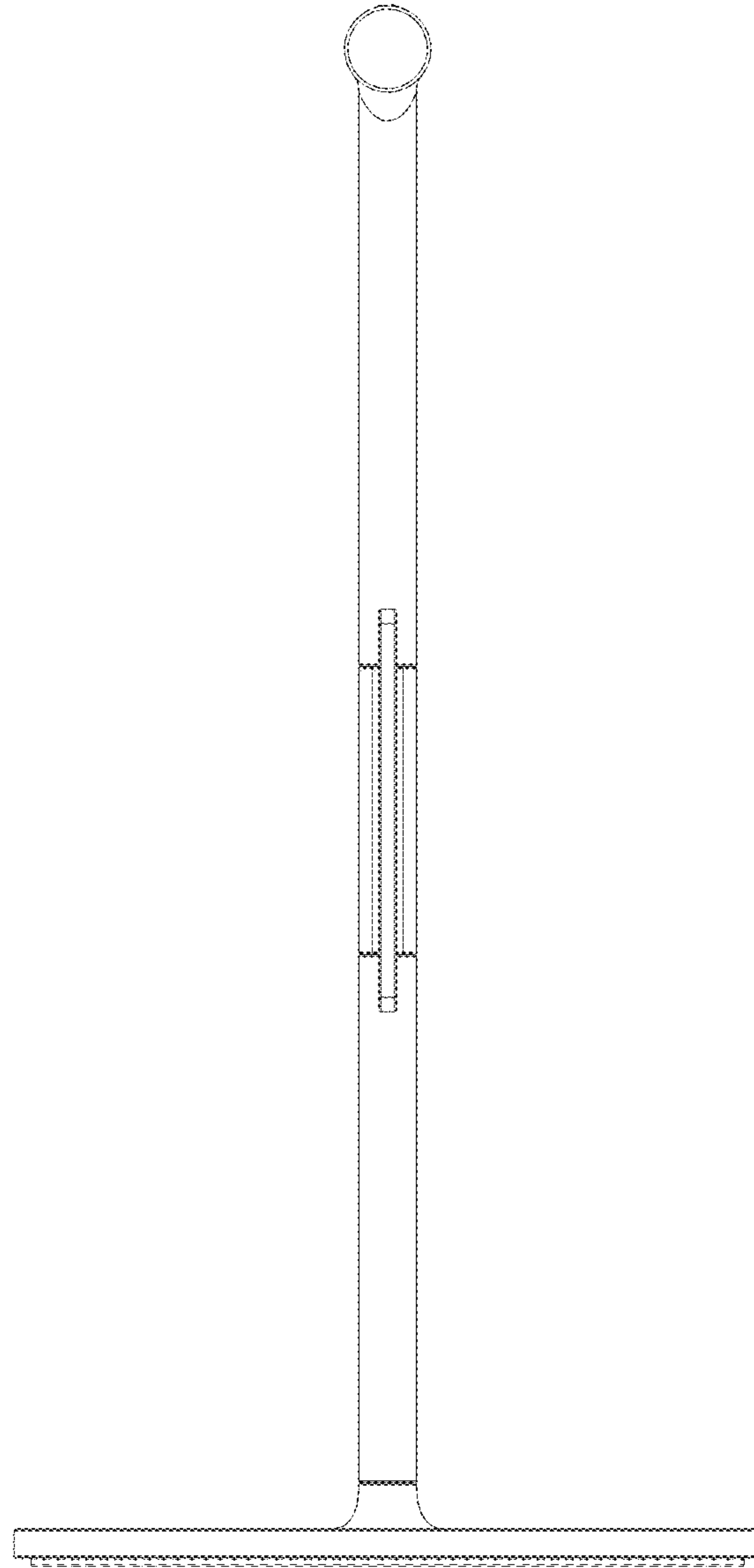


FIG. 4

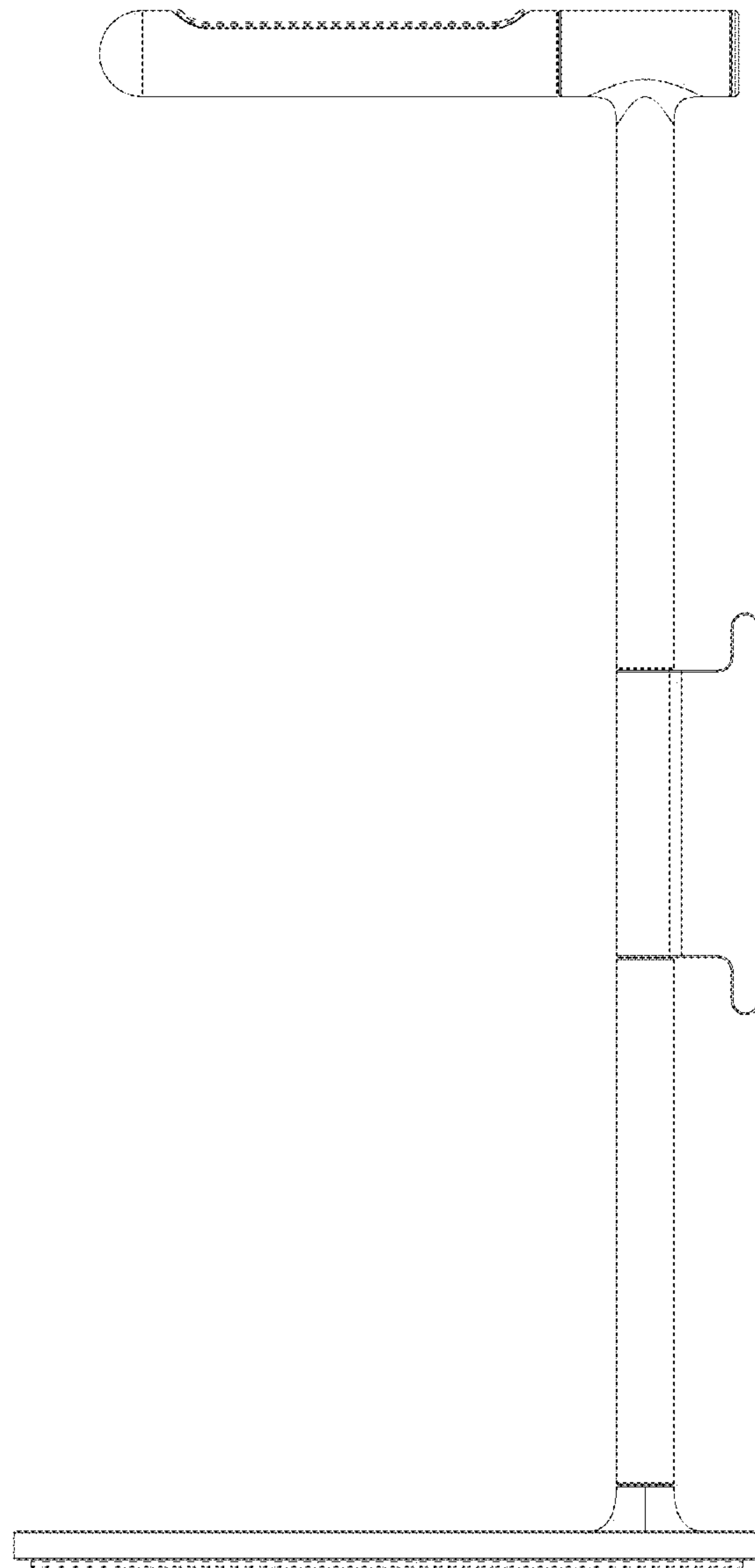


FIG. 5

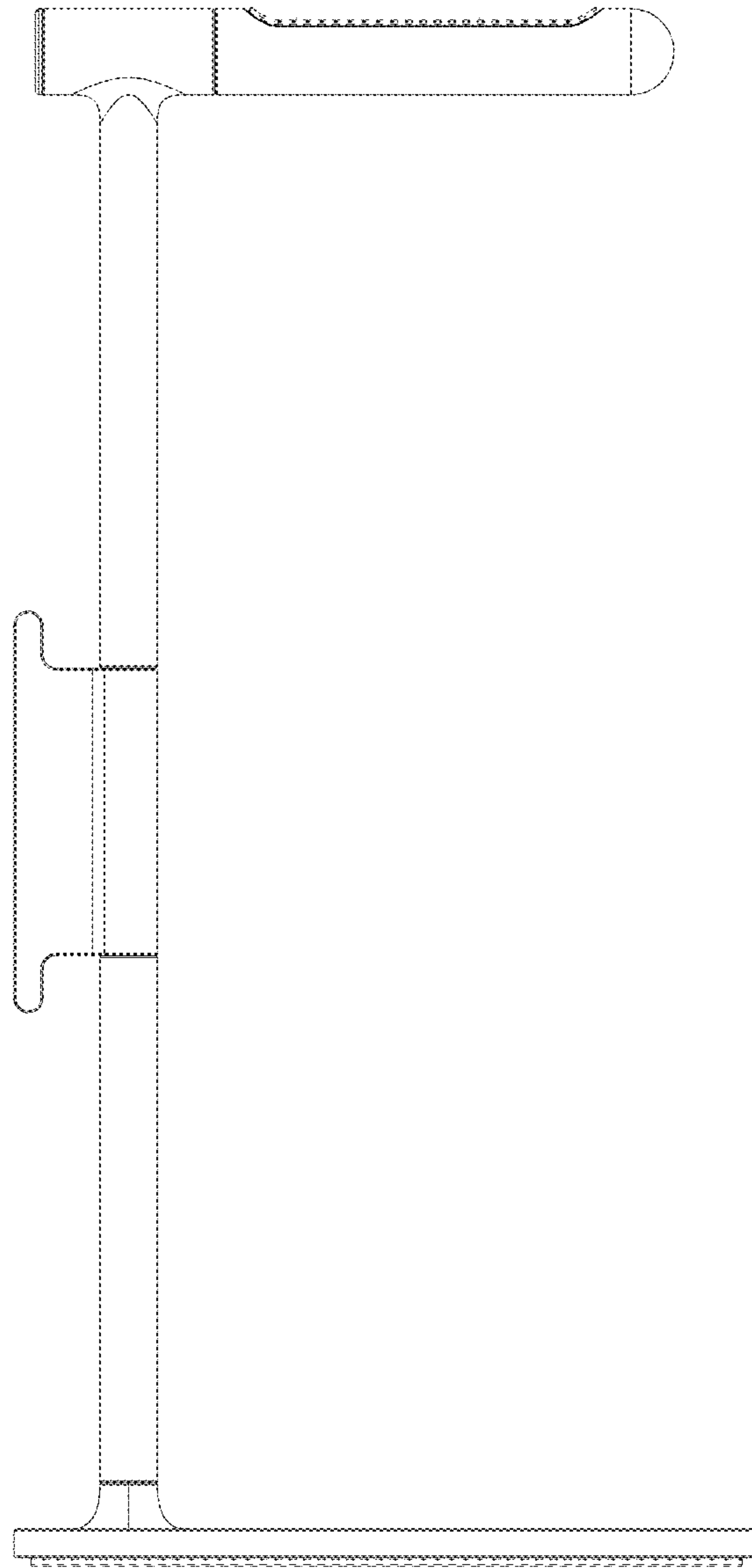


FIG. 6

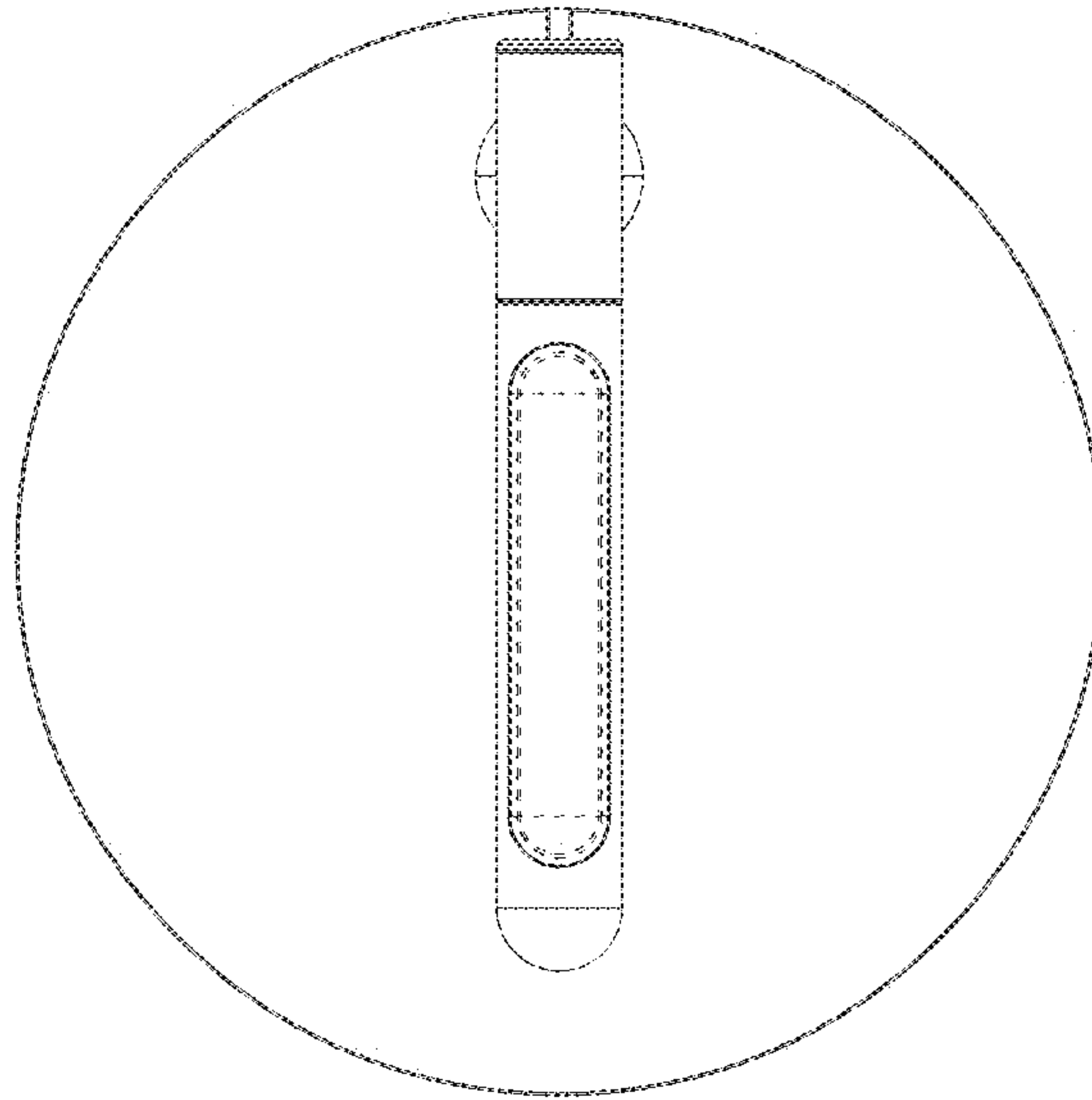


FIG. 7

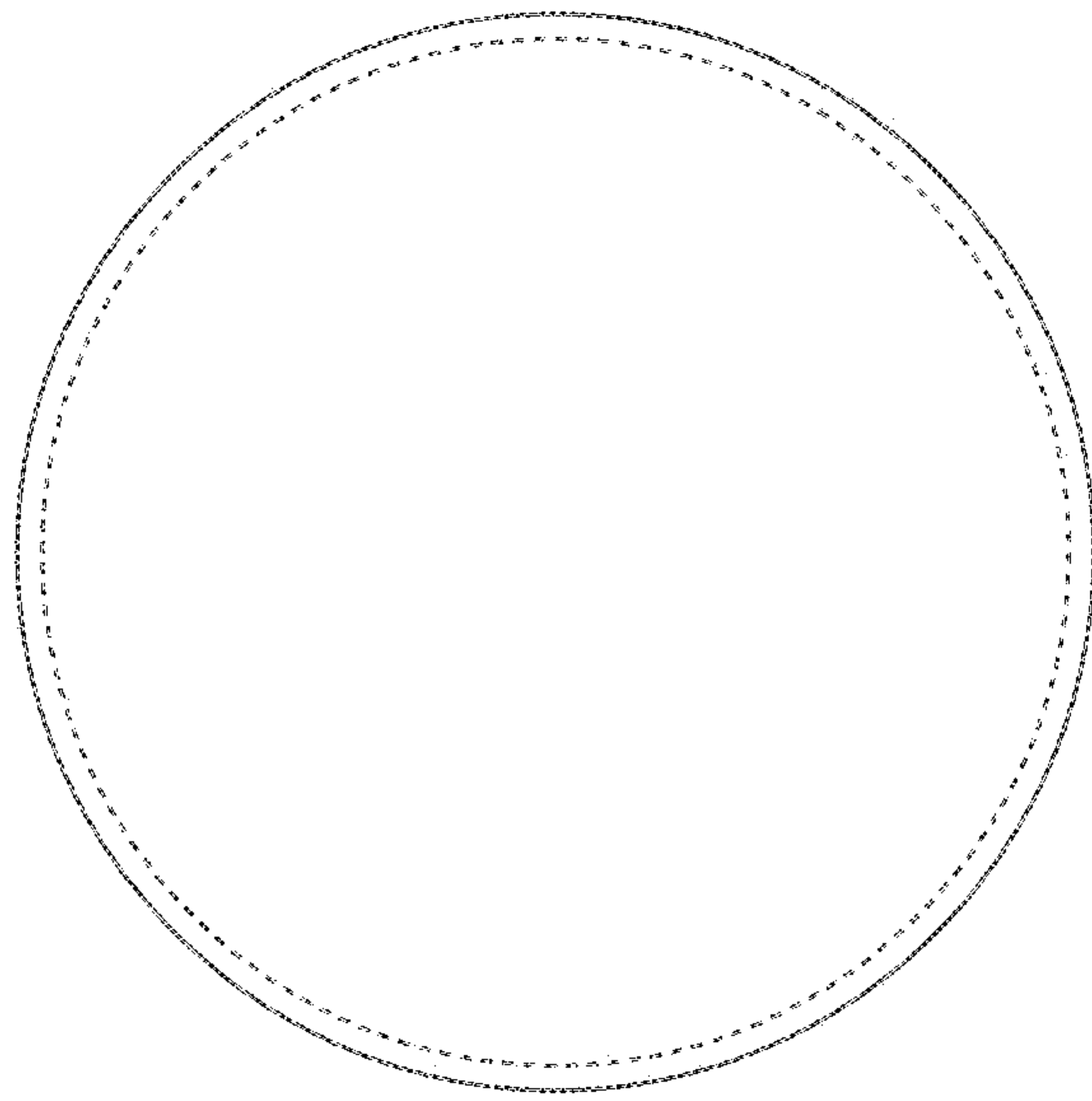


FIG. 8

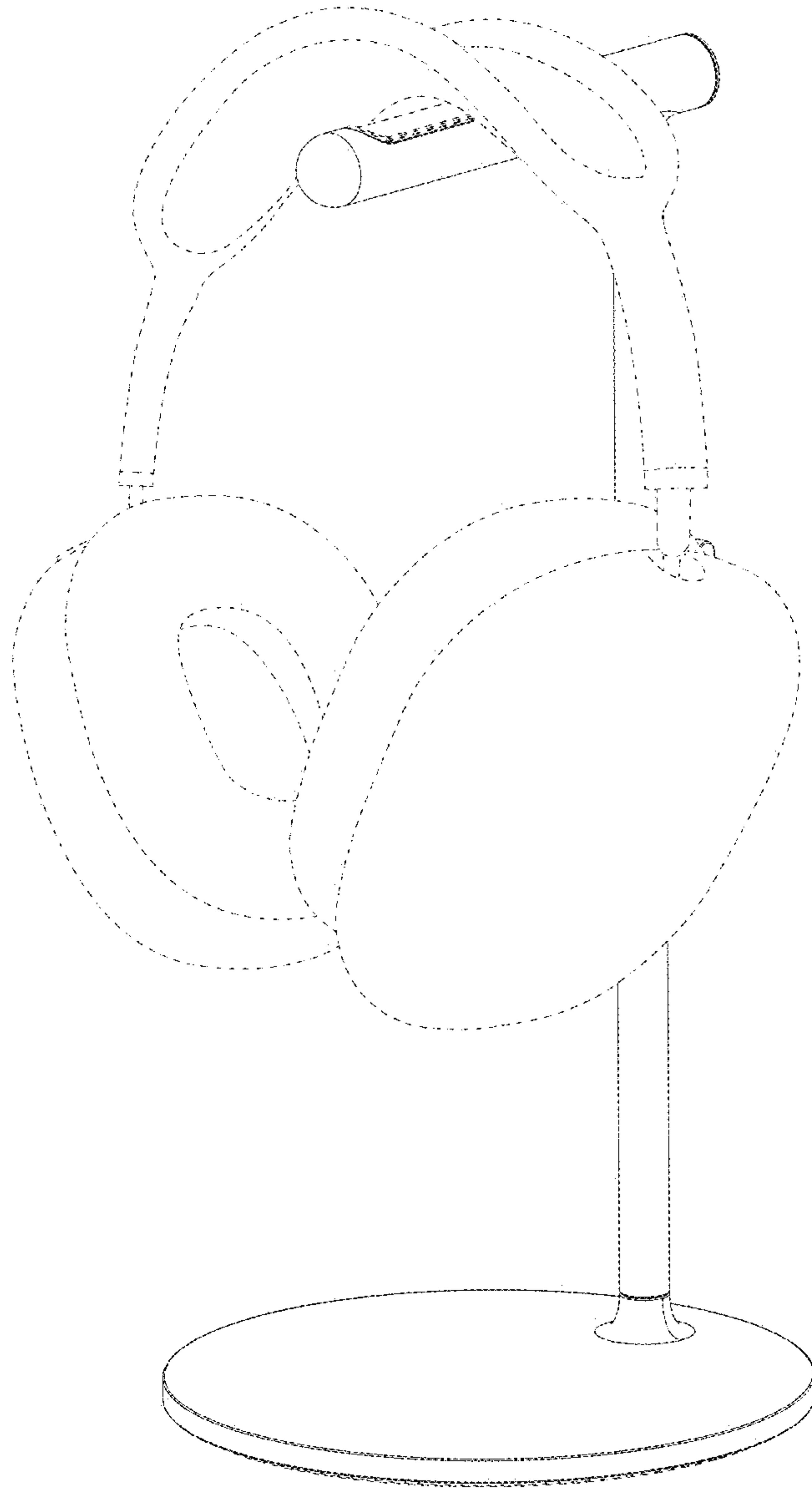


FIG. 9