



US00D951918S

(12) **United States Design Patent** (10) **Patent No.:** **US D951,918 S**
Lee (45) **Date of Patent:** **** May 17, 2022**

(54) **WIRELESS EARPHONE**
(71) Applicant: **Deok Seon Lee**, Seoul (KR)
(72) Inventor: **Deok Seon Lee**, Seoul (KR)
(**) Term: **15 Years**

D626,552 S * 11/2010 Andre D14/496
D629,396 S * 12/2010 Andre D14/223
D641,739 S * 7/2011 Huang D14/223
8,155,336 B2 * 4/2012 Tang H04R 1/1041
381/74
D770,412 S * 11/2016 Son D14/223
(Continued)

(21) Appl. No.: **35/509,791**

(22) Filed: **Dec. 6, 2019**

(80) **Hague Agreement Data**

Int. Filing Date: **Dec. 6, 2019**
Int. Reg. No.: **DM/208928**
Int. Reg. Date: **Dec. 6, 2019**
Int. Reg. Pub. Date: **Jul. 10, 2020**

(30) **Foreign Application Priority Data**

Jun. 7, 2019 (KR) 30-2019-0027079

(51) **LOC (13) Cl.** **14-01**

(52) **U.S. Cl.**
USPC **D14/223**

(58) **Field of Classification Search**

USPC ... D14/206, 207, 217, 221, 223, 224, 224.1,
D14/225; D24/173-174
CPC H04R 1/10; H04R 1/1016; H04R 1/1066;
H04R 1/105; H04R 1/1033; H04R 5/033;
H04R 5/0335

See application file for complete search history.

(56) **References Cited**

U.S. PATENT DOCUMENTS

4,796,150 A * 1/1989 Dickey H01T 1/14
361/119
5,102,129 A * 4/1992 Roberts A63B 5/22
473/414
D396,860 S * 8/1998 Yasutomi D14/188
D579,923 S * 11/2008 Andre D14/223
D590,826 S * 4/2009 Andre D14/496
D592,677 S * 5/2009 Sheba D14/496
D616,873 S * 6/2010 Olivier D14/223

OTHER PUBLICATIONS

“S11 foldable new concept wireless bluetooth tws in-ear sports invisible mini earphone for iphone Samsung Huawei Xiaomi” [online]. dhgate.com. [Retrieved on Jun. 5, 2021], Retrieved from the Internet: <<https://www.dhgate.com/product/s11-folding-new-concept-wireless-bluetooth/699683710.html>>.*

(Continued)

Primary Examiner — Mojtaba Tehrani

(57) **CLAIM**

The ornamental design for a wireless earphone, as shown and described.

DESCRIPTION

1. Wireless earphone

1.1 : Perspective

1.2 : Front

1.3 : Back

1.4 : Left

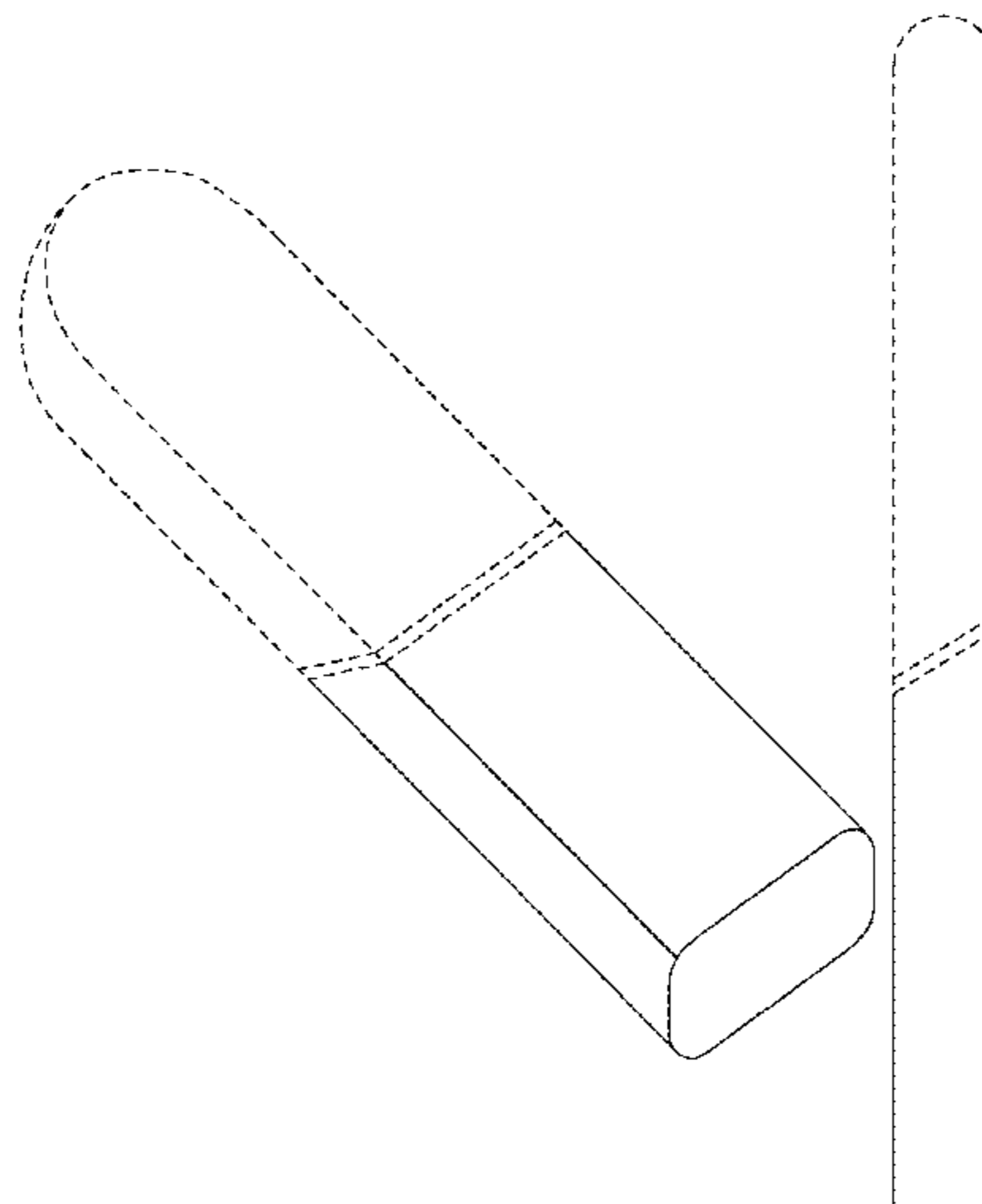
1.5 : Right

1.6 : Top

1.7 : Bottom

The present design has a long and flat shape so as to be stored in an earphone storage part of a smart phone. The evenly broken lines disclose unclaimed subject matter, which form no part of the claimed design. Figure **1.1** is a view showing the whole shape of the present design; figure **1.2** is a front view thereof; figure **1.3** is a rear view thereof; figure **1.4** is a left side view thereof; figure **1.5** is a right side view thereof; and figure **1.6** is a plan view thereof; figure **1.7** is a bottom view thereof.

1 Claim, 7 Drawing Sheets



(56)

References Cited

U.S. PATENT DOCUMENTS

D795,223	S	*	8/2017	Carr	D14/223
D848,983	S	*	5/2019	Kim	D14/223
D861,647	S	*	10/2019	Chen	D14/223
D863,266	S	*	10/2019	Kim	D14/223
D889,439	S	*	7/2020	Hsieh	D14/223
D889,440	S	*	7/2020	Yan	D14/223
D901,457	S	*	11/2020	Zhang	D14/223
D905,017	S	*	12/2020	Chen	D14/223
D907,008	S	*	1/2021	Yao	D14/223
D907,606	S	*	1/2021	Lin	D14/223
D914,646	S	*	3/2021	Yang	D14/223
D916,058	S	*	4/2021	Wu	D14/223
D918,178	S	*	5/2021	Chen	D14/223
D918,872	S	*	5/2021	Lin	D14/223
D925,504	S	*	7/2021	Wang	D14/228
D938,942	S	*	12/2021	Zhu	D14/223
D939,477	S	*	12/2021	Lee	D14/223
D940,692	S	*	1/2022	Quan	D14/223
2013/0230752	A1	*	9/2013	Fujihara	H01M 50/3425
						429/82
2021/0092506	A1	*	3/2021	Zhu	H01F 7/20

OTHER PUBLICATIONS

“Rounding Corners of Anything in Photoshop Tutorial” [online],
 Colin Smith. [Earliest published article comment of Nov. 18, 2015].
 Retrieved from the Internet: <<https://photoshopcafe.com/tutorials/rounded/rounded.htm>>.*

* cited by examiner

FIG. 1.1

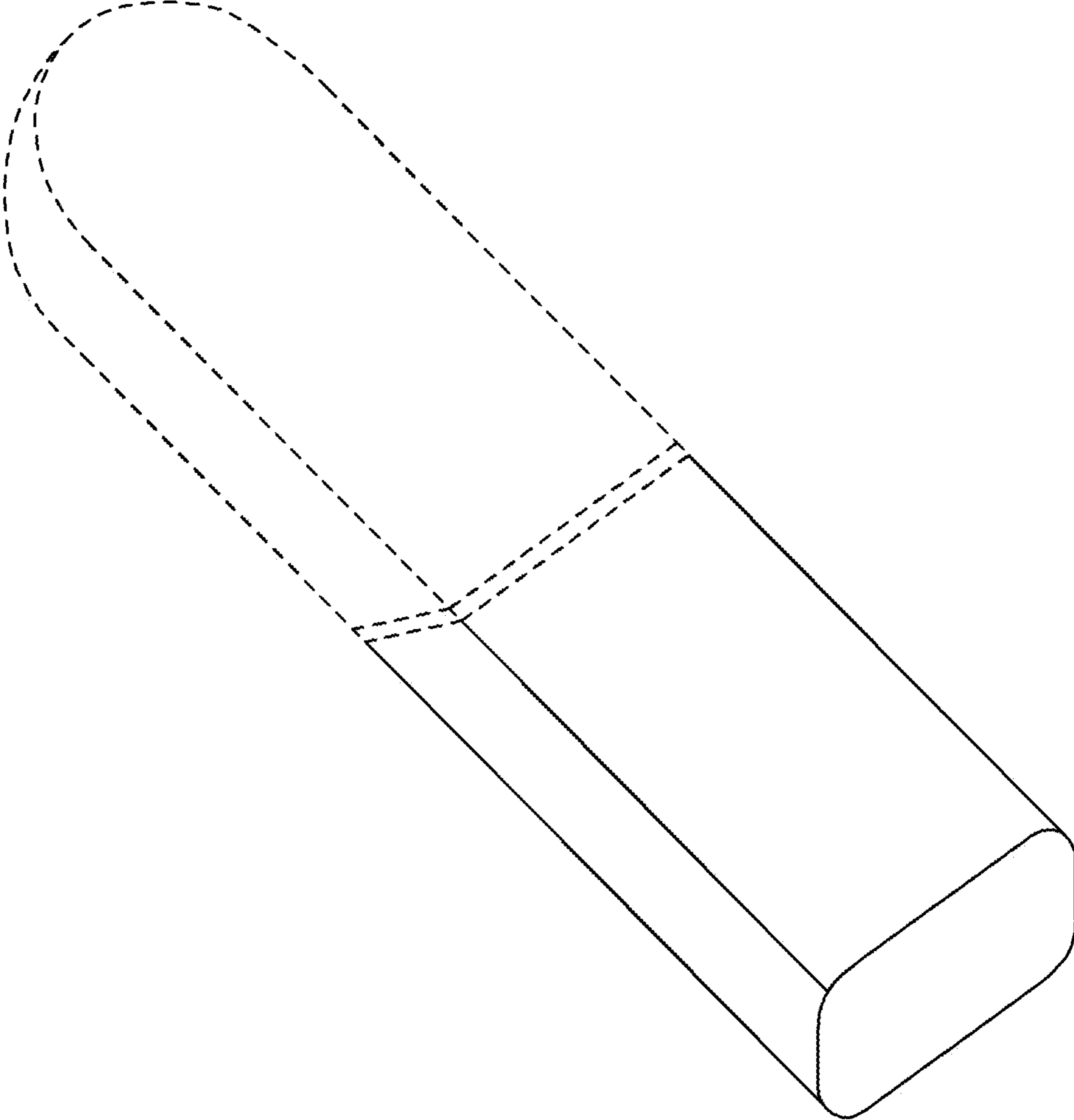


FIG. 1.2

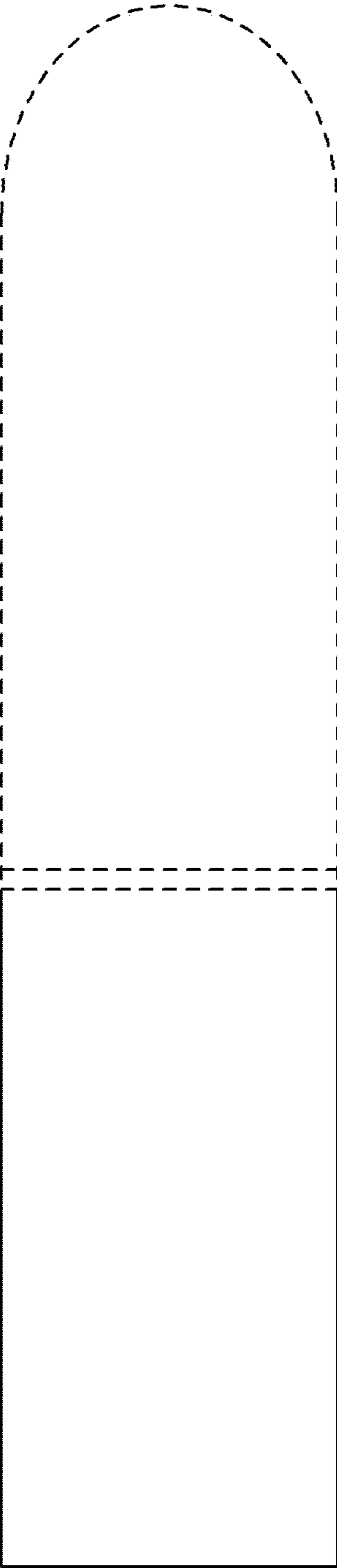


FIG. 1.3

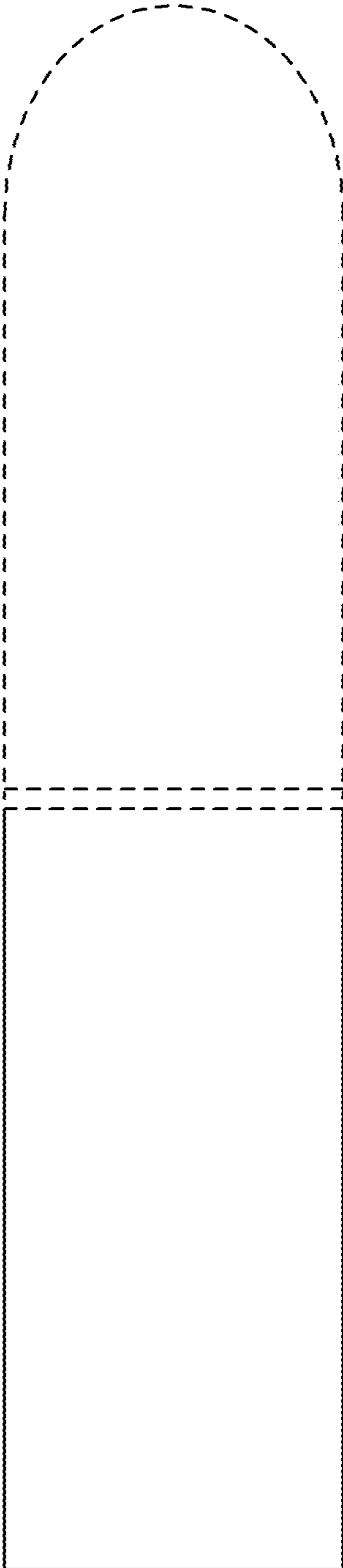


FIG. 1.4



FIG. 1.5



FIG. 1.6

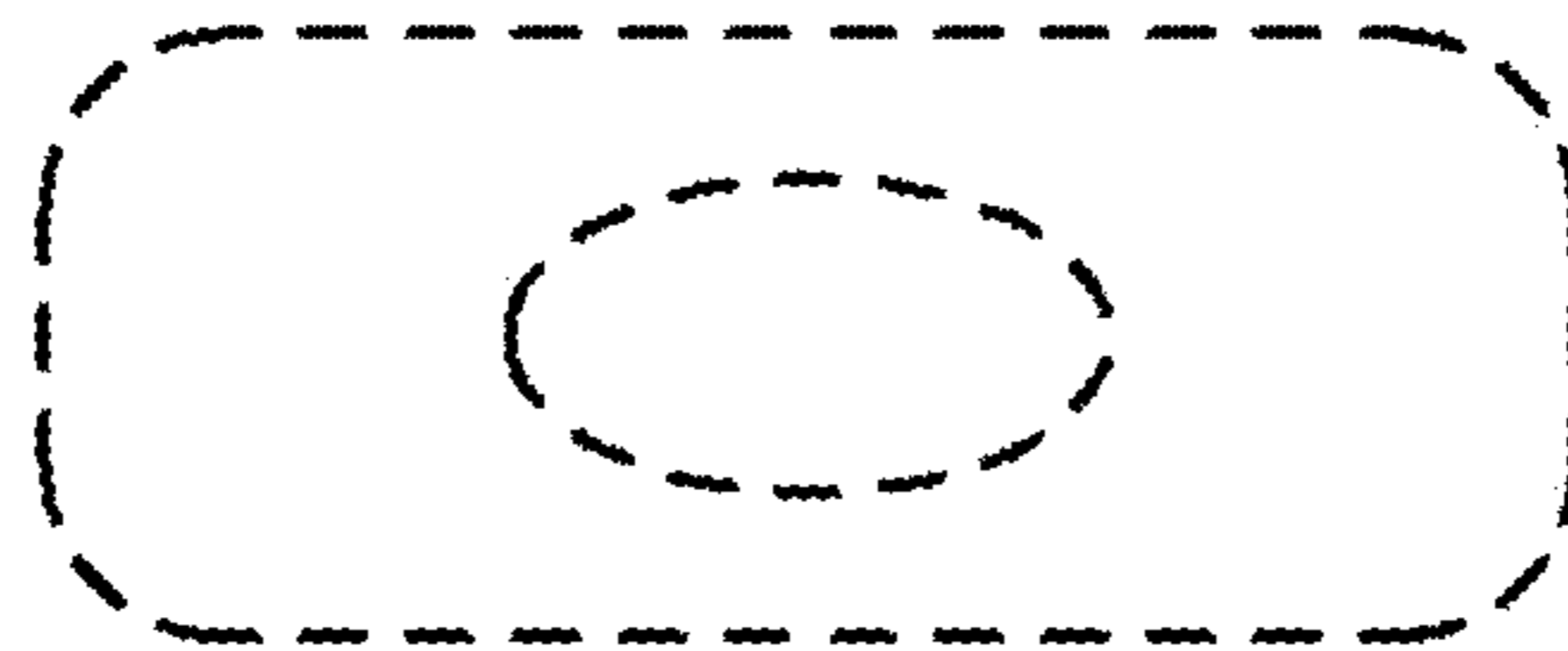


FIG. 1.7

